



US00D607389S

(12) **United States Design Patent**
Brester

(10) **Patent No.:** **US D607,389 S**
(45) **Date of Patent:** **** Jan. 5, 2010**

(54) **INVERTED VEHICLE MIRROR**

- (75) Inventor: **Robert R. Brester**, New Berlin, WI (US)
 - (73) Assignee: **Velvac Incorporated**, New Berlin, WI (US)
 - (**) Term: **14 Years**
 - (21) Appl. No.: **29/327,180**
 - (22) Filed: **Oct. 31, 2008**
 - (51) **LOC (9) Cl.** **12-16**
 - (52) **U.S. Cl.** **D12/187**
 - (58) **Field of Classification Search** D12/187-189, D12/96; D6/300, 309; 359/838, 841, 843, 359/844, 868, 871, 872, 604, 881, 514, 866; 248/479-483, 475.1
- See application file for complete search history.

(56) **References Cited**

U.S. PATENT DOCUMENTS

- 4,549,786 A * 10/1985 Albers et al. 359/864
- 5,621,577 A * 4/1997 Lang et al. 359/872

(Continued)

Primary Examiner—Caron Veynar
Assistant Examiner—Katrina A Kile
(74) *Attorney, Agent, or Firm*—Schiff Hardin LLP

(57) **CLAIM**

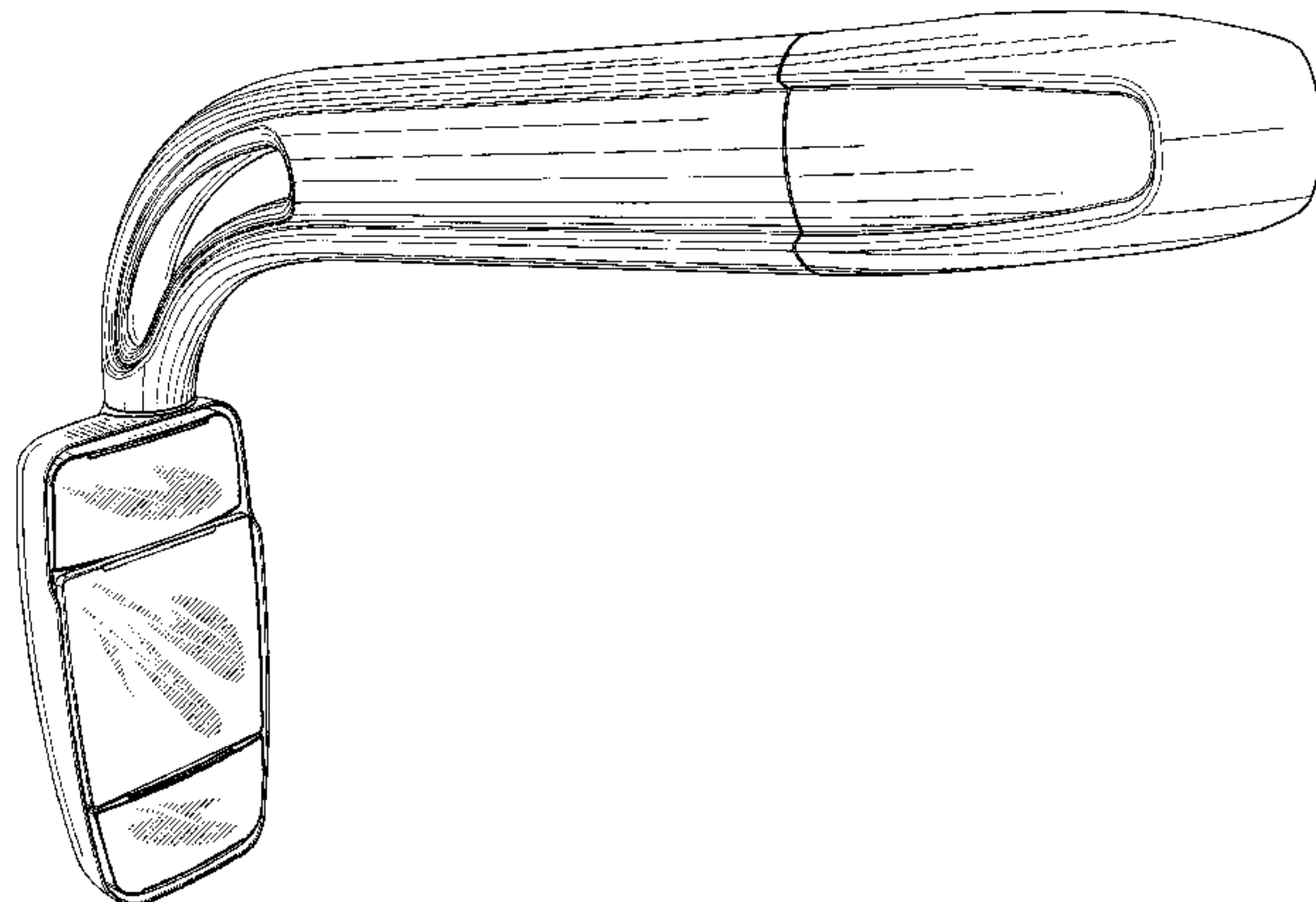
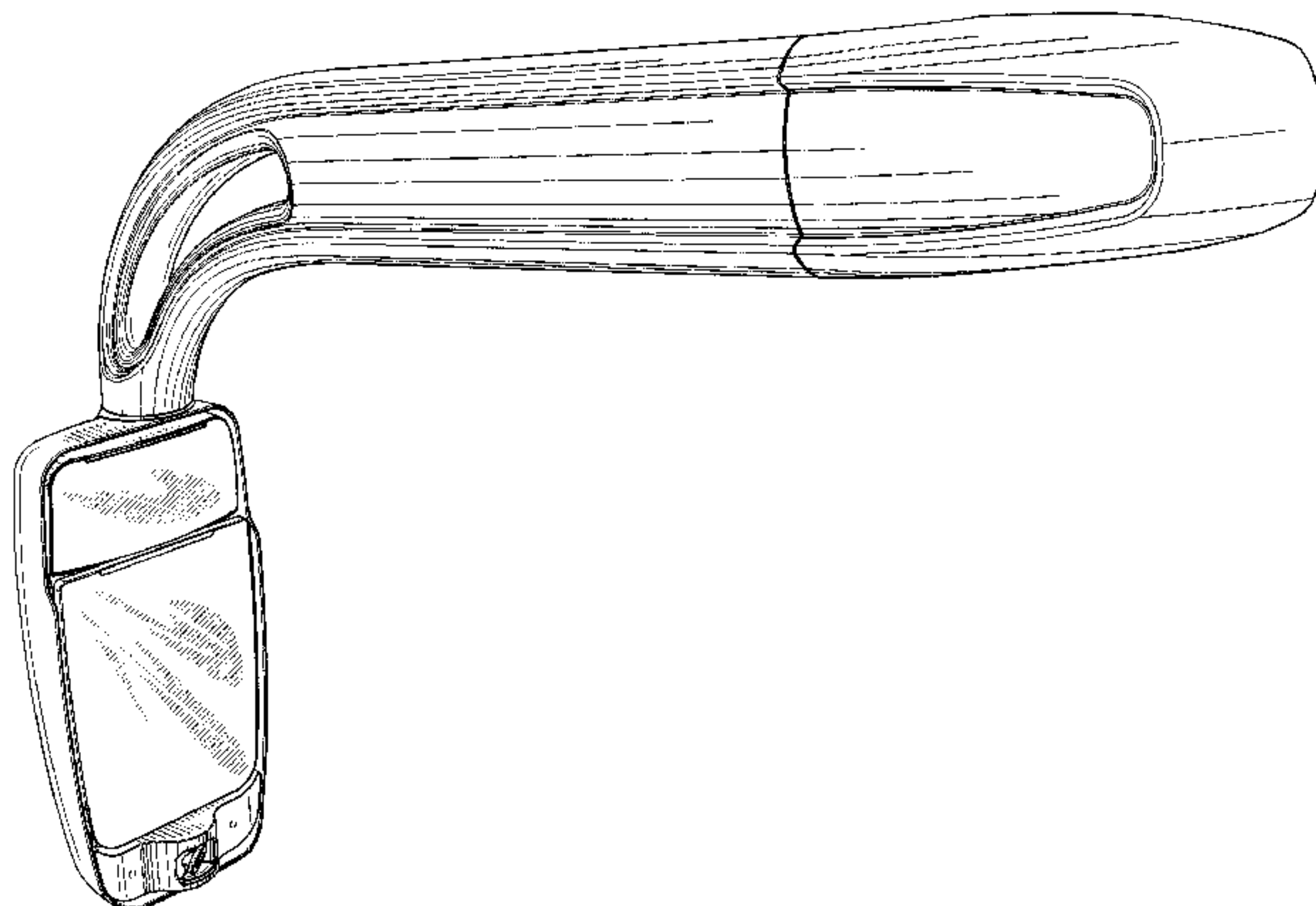
An inverted vehicle mirror, as shown in FIGS. 1-22.

DESCRIPTION

- FIG. 1 is a perspective view of the first embodiment of an inverted vehicle mirror.
- FIG. 2 is a left side view of the first embodiment of an inverted vehicle mirror;
- FIG. 3 is a right side view of the first embodiment of an inverted vehicle mirror;
- FIG. 4 is a back view of the first embodiment of an inverted vehicle mirror;

- FIG. 5 is a front view of the first embodiment of an inverted vehicle mirror;
 - FIG. 6 is a top view of the first embodiment of an inverted vehicle mirror;
 - FIG. 7 is a bottom view of the first embodiment of an inverted vehicle mirror;
 - FIG. 8 is a perspective of the first embodiment of an inverted vehicle mirror shown mounted on a vehicle;
 - FIG. 9 is a perspective view of the second embodiment of an inverted vehicle mirror.
 - FIG. 10 is a left side view of the second embodiment of an inverted vehicle mirror;
 - FIG. 11 is a right side view of the second embodiment of an inverted vehicle mirror;
 - FIG. 12 is a back view of the second embodiment of an inverted vehicle mirror;
 - FIG. 13 is a front view of the second embodiment of an inverted vehicle mirror;
 - FIG. 14 is a top view of the second embodiment of an inverted vehicle mirror;
 - FIG. 15 is a bottom view of the second embodiment of an inverted vehicle mirror;
 - FIG. 16 is a perspective view of the third embodiment of an inverted vehicle mirror;
 - FIG. 17 is a left side view of the third embodiment of an inverted vehicle mirror;
 - FIG. 18 is a right side view of the third embodiment of an inverted vehicle mirror;
 - FIG. 19 is a back view of the third embodiment of an inverted vehicle mirror;
 - FIG. 20 is a front view of the third embodiment of an inverted vehicle mirror;
 - FIG. 21 is a top view of the third embodiment of an inverted vehicle mirror; and,
 - FIG. 22 is a bottom view of the third embodiment of an inverted vehicle mirror.
- In the drawings, the vehicle shown with broken lines forms no part of the claimed design.

1 Claim, 16 Drawing Sheets



US D607,389 S

Page 2

U.S. PATENT DOCUMENTS

5,798,882 A *	8/1998	Lang	359/872		
D466,455 S *	12/2002	Kidd et al.	D12/187		
					* cited by examiner
				D504,092 S *	4/2005 Lang et al. D12/187
				D530,248 S *	10/2006 Branham D12/187

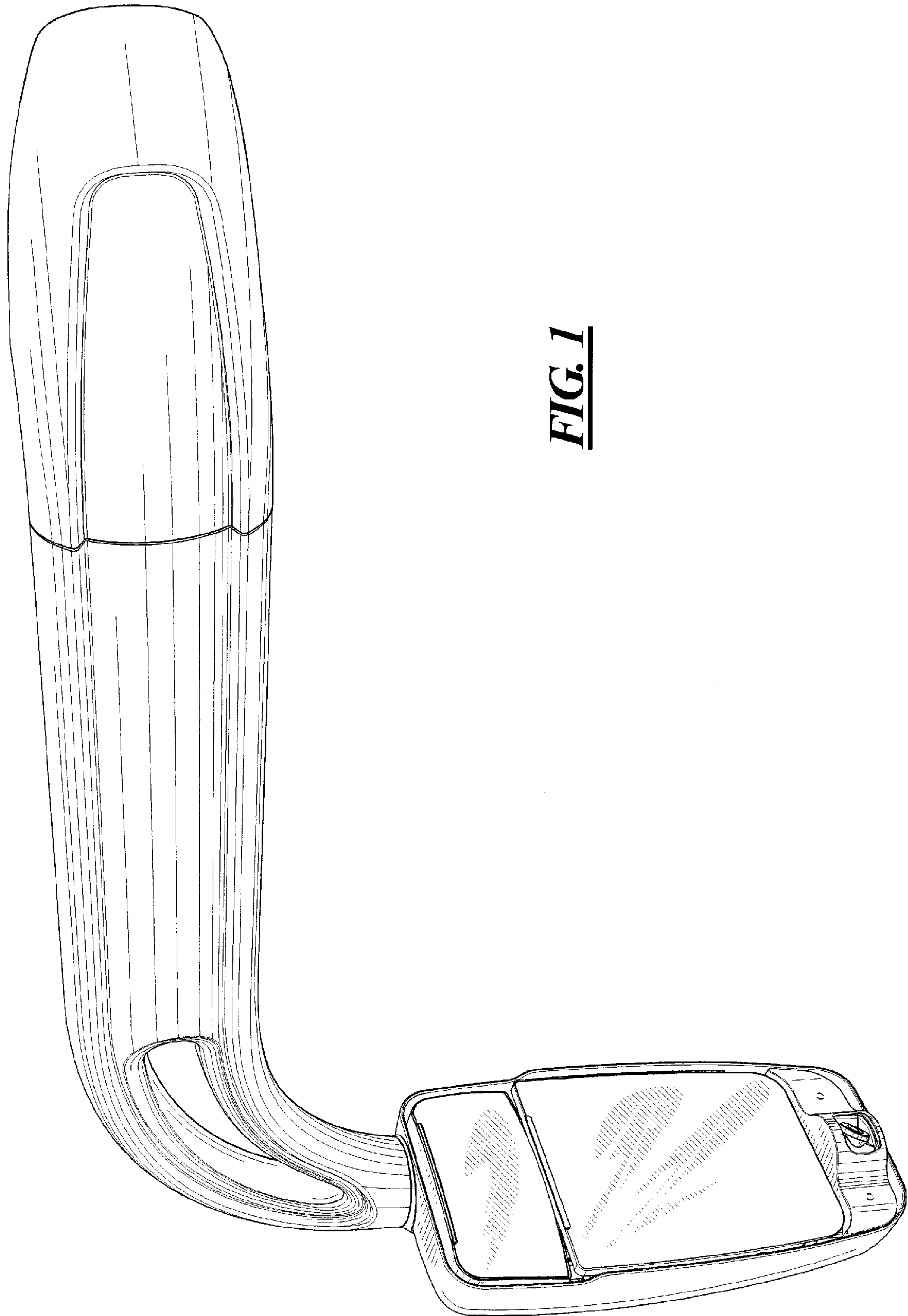


FIG. 1

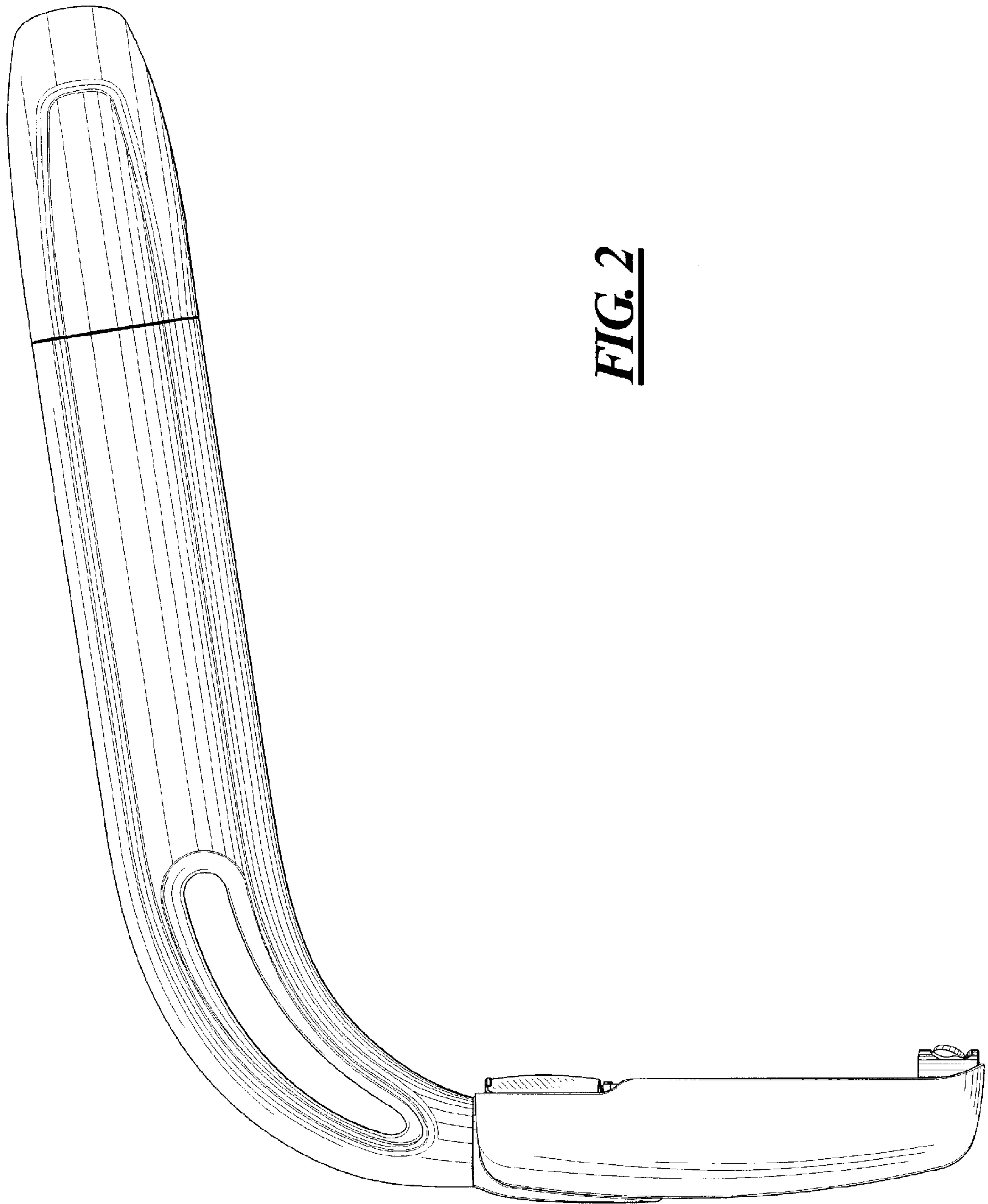


FIG. 2

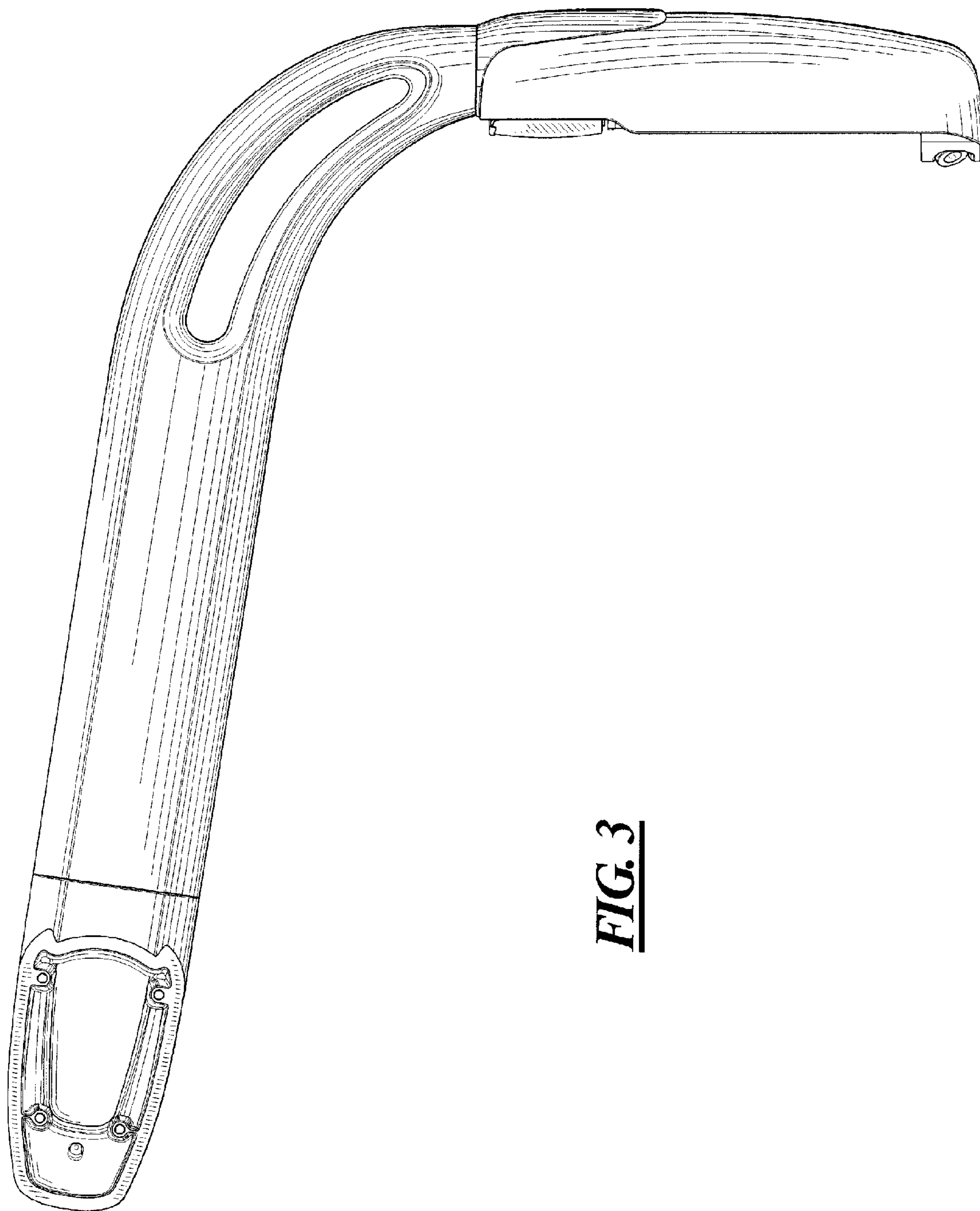


FIG. 3

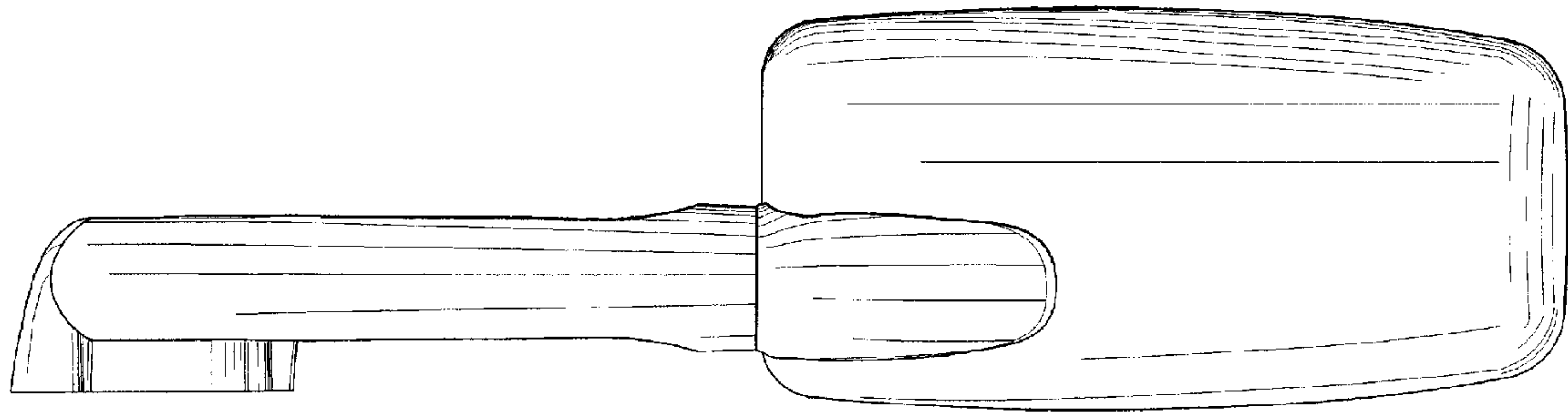


FIG. 5

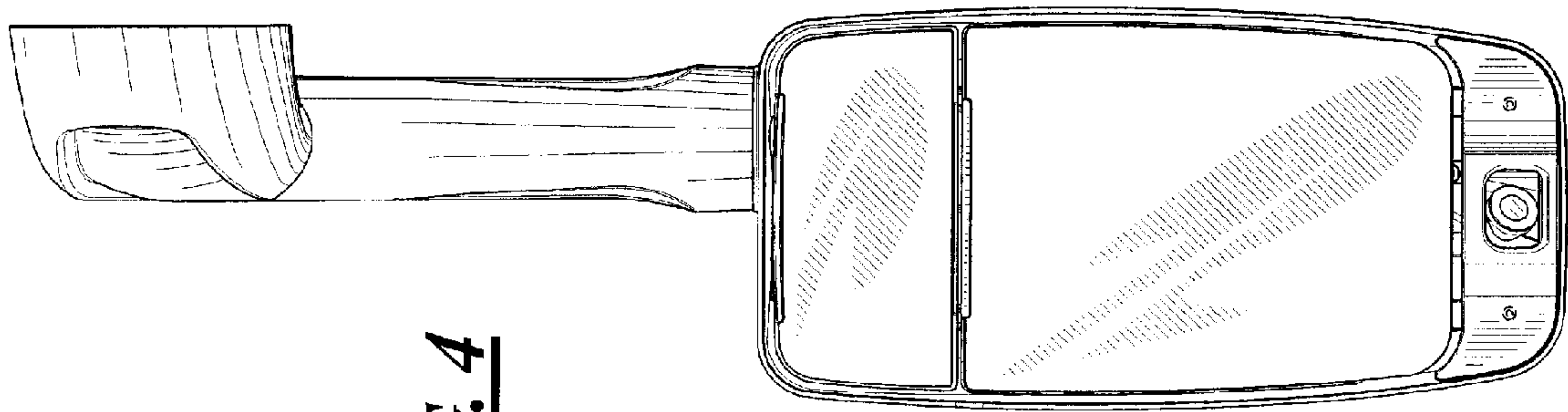


FIG. 4

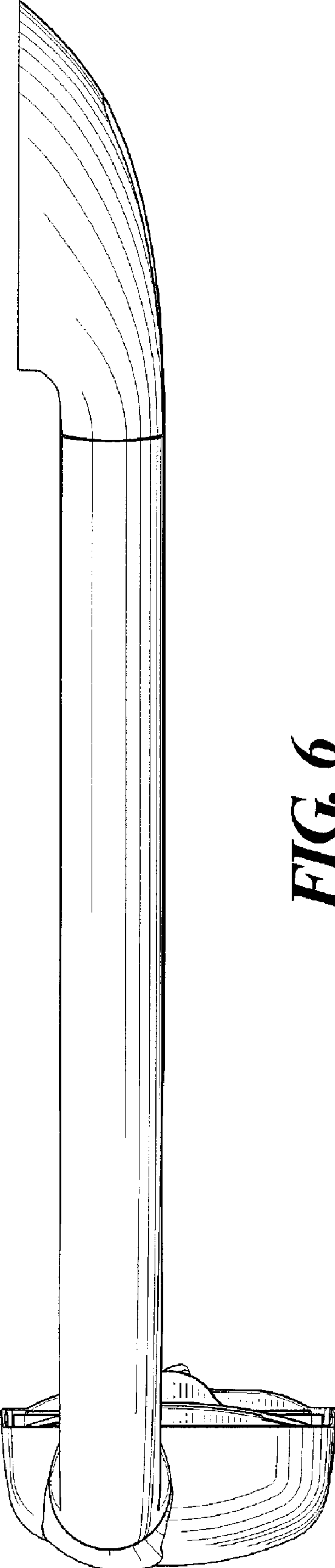


FIG. 6

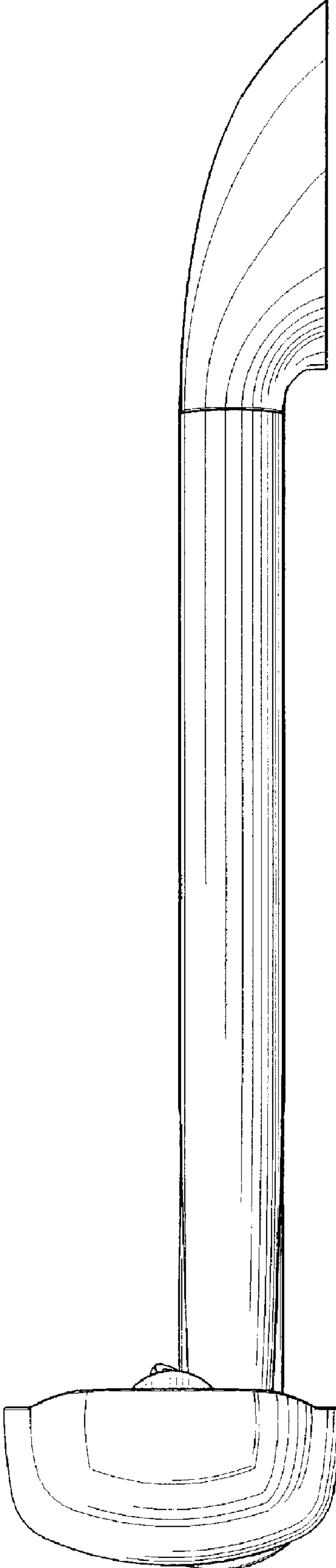


FIG. 7

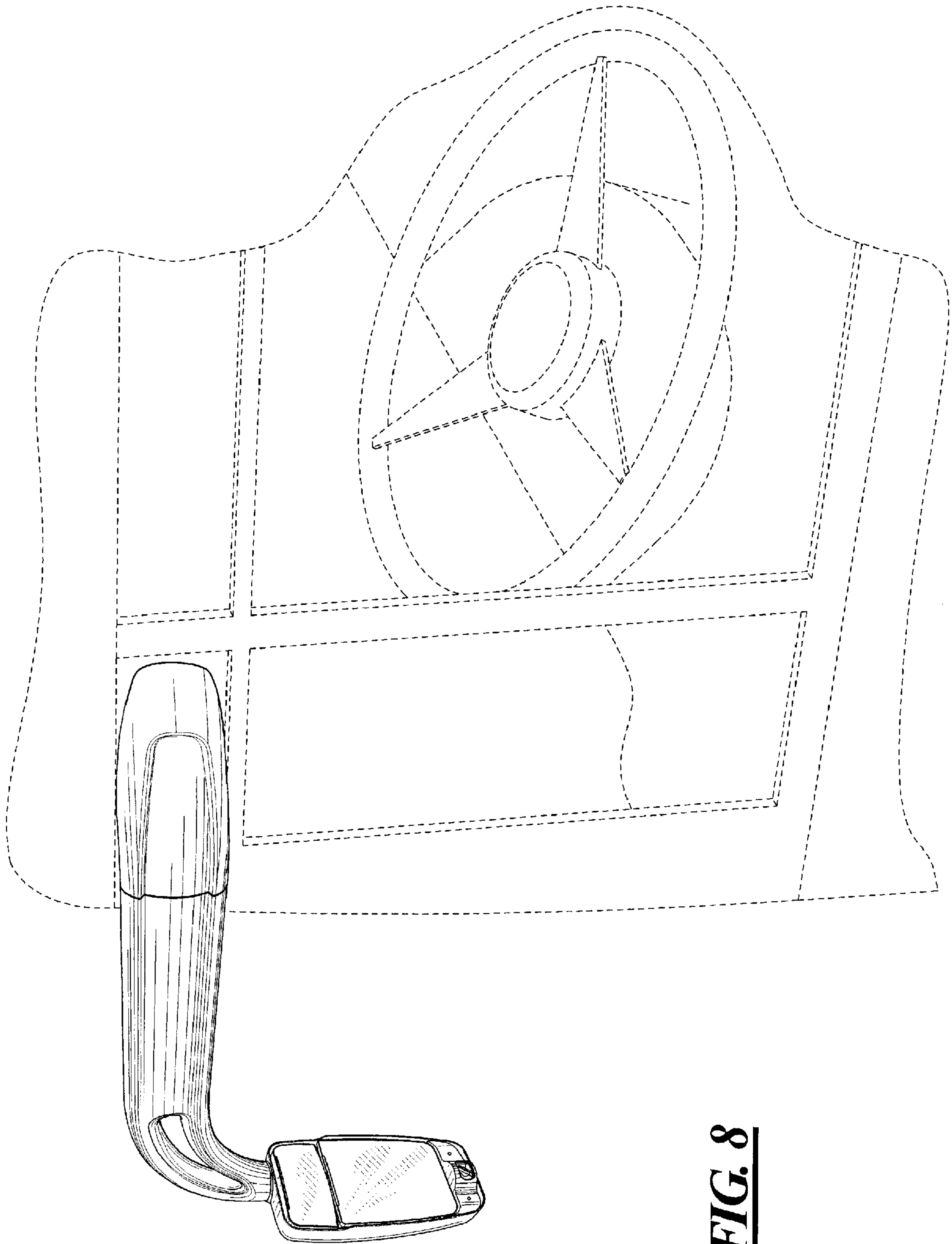


FIG. 8

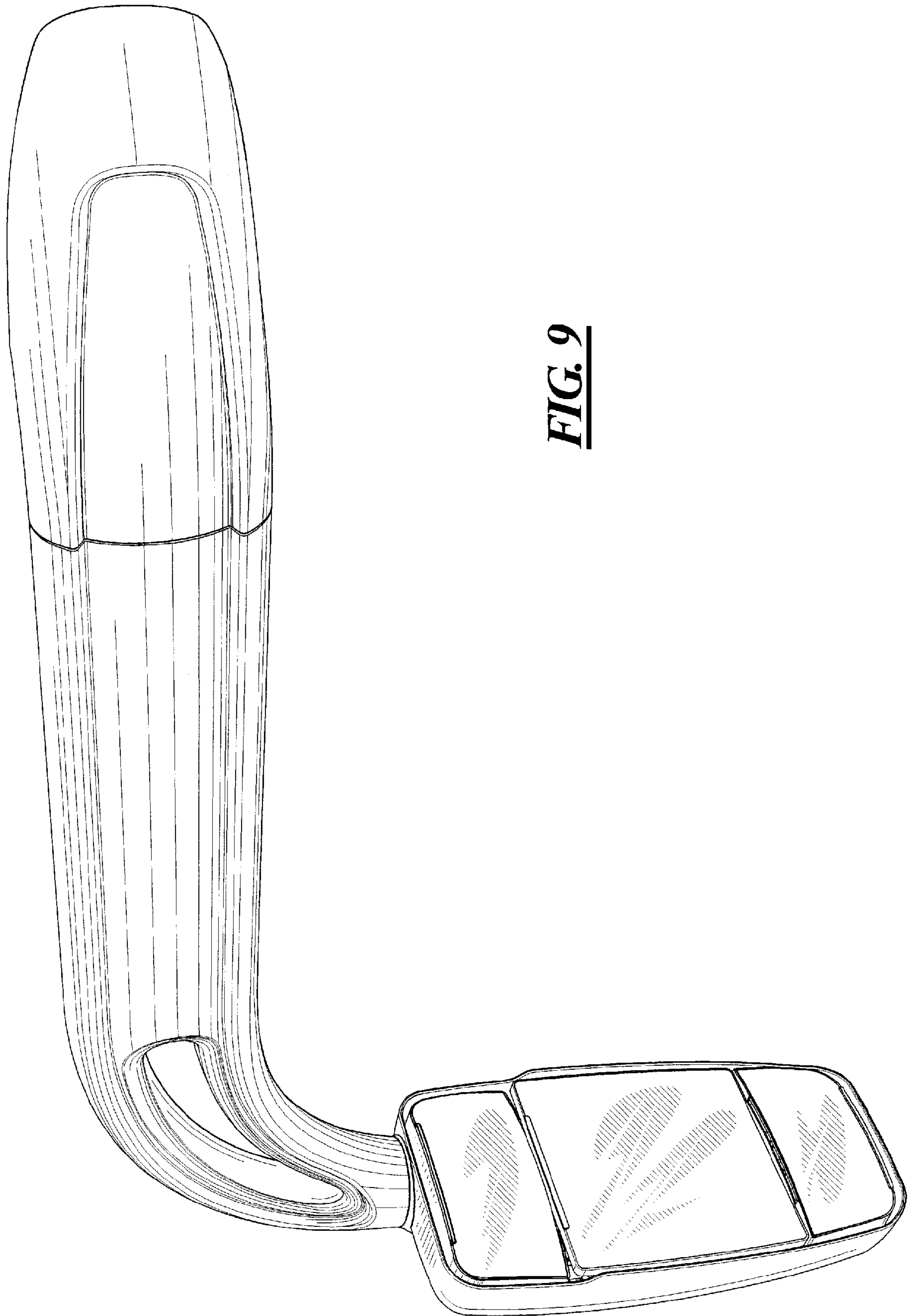


FIG. 9

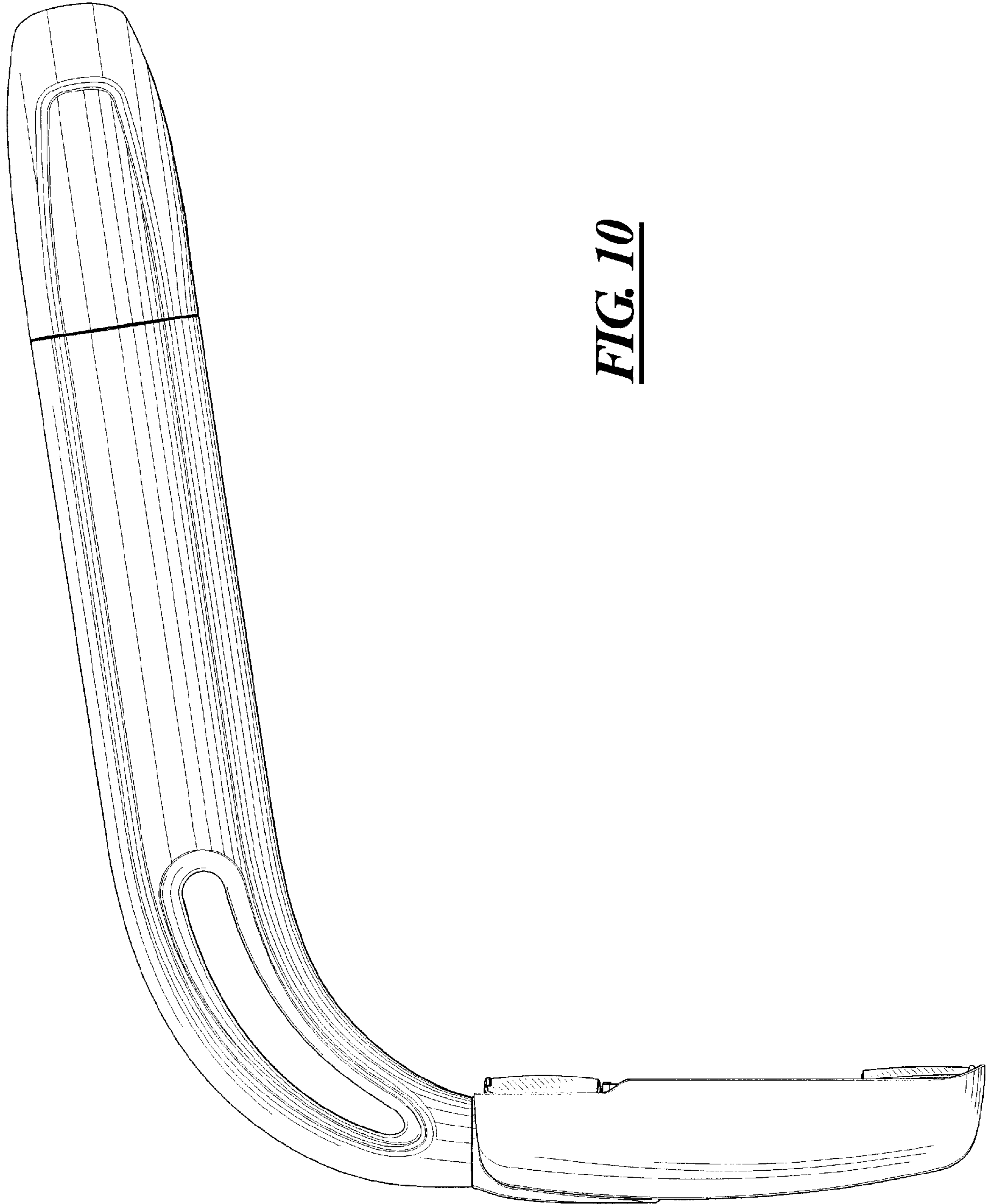


FIG. 10

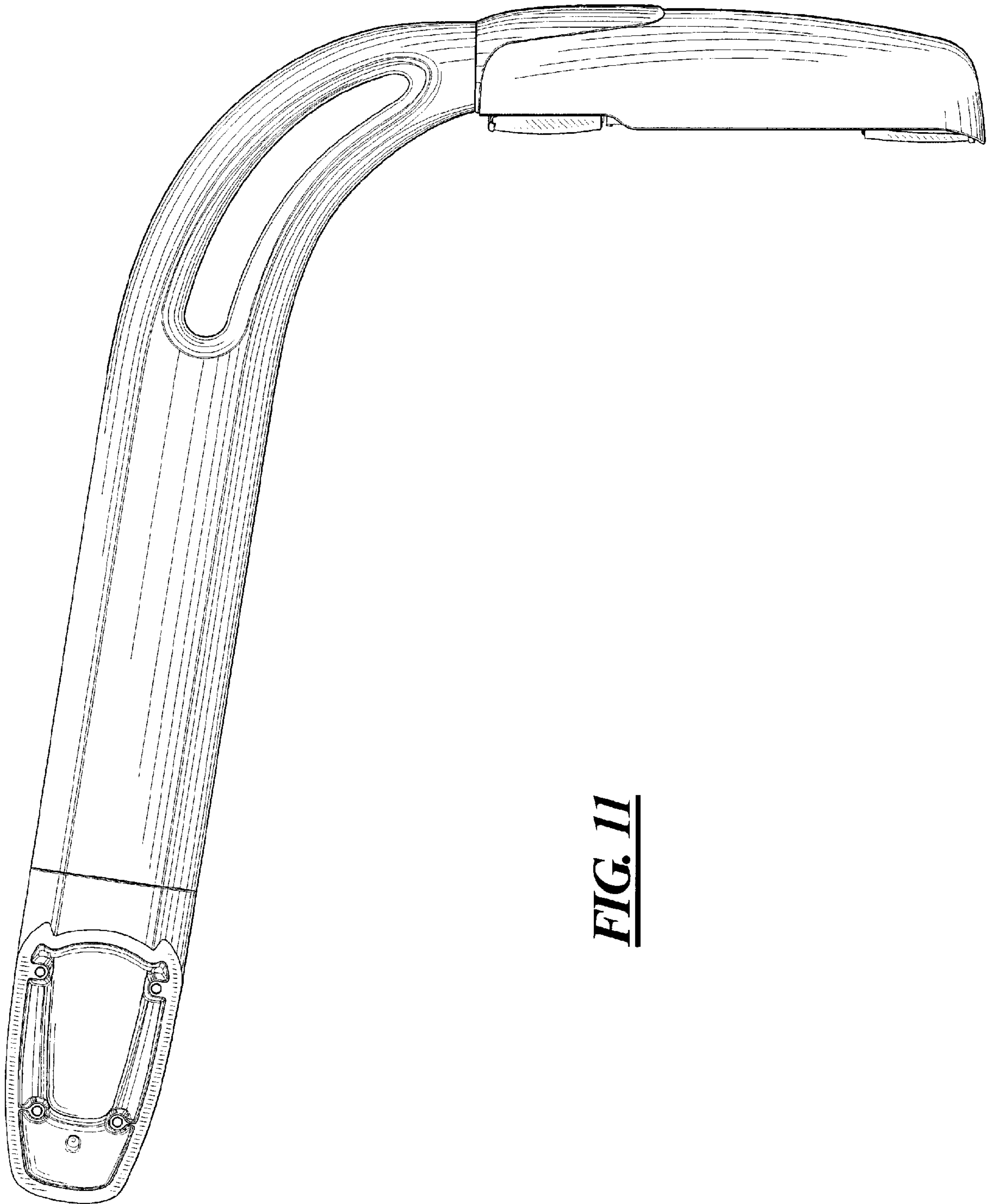


FIG. 11

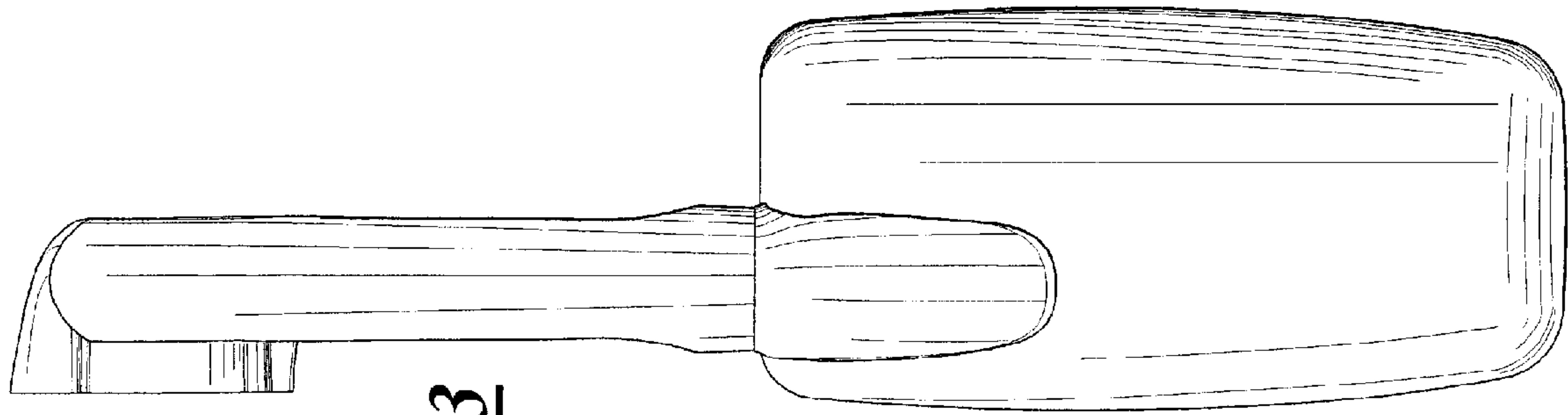


FIG. 13

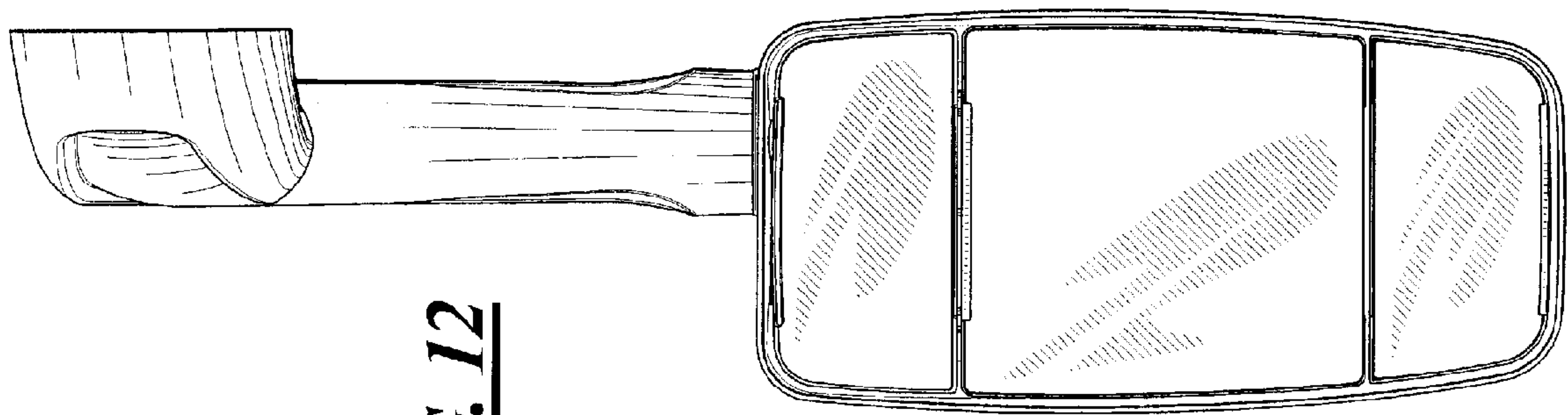


FIG. 12

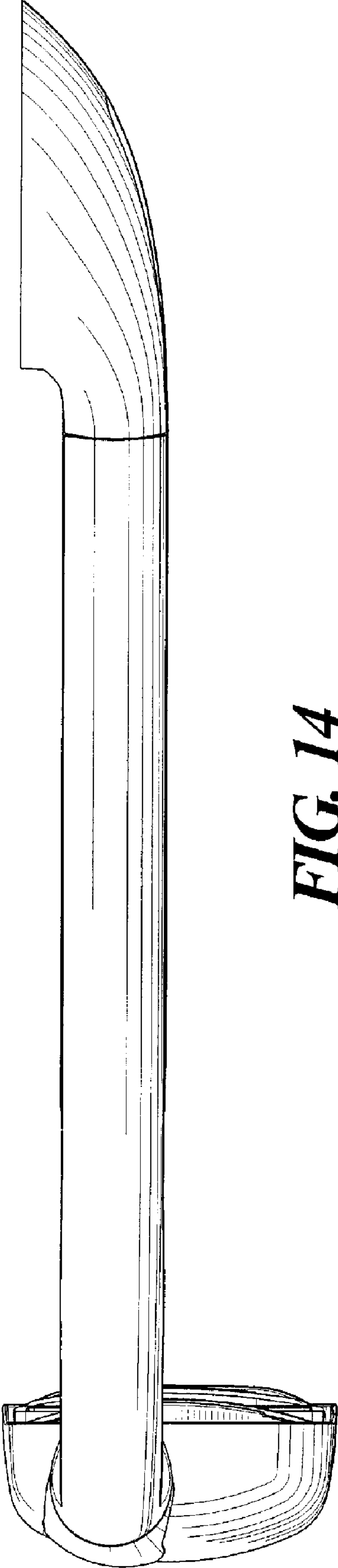


FIG. 14

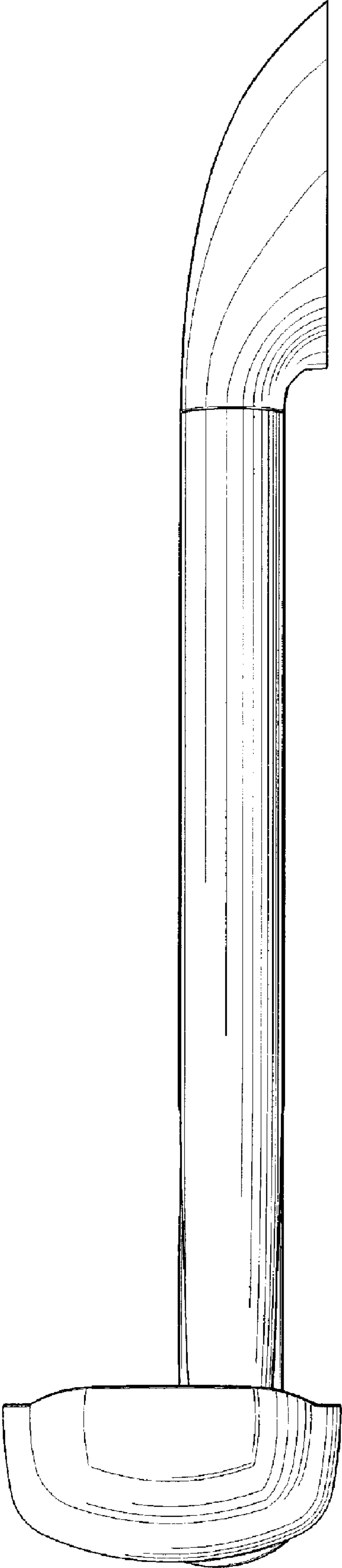


FIG. 15

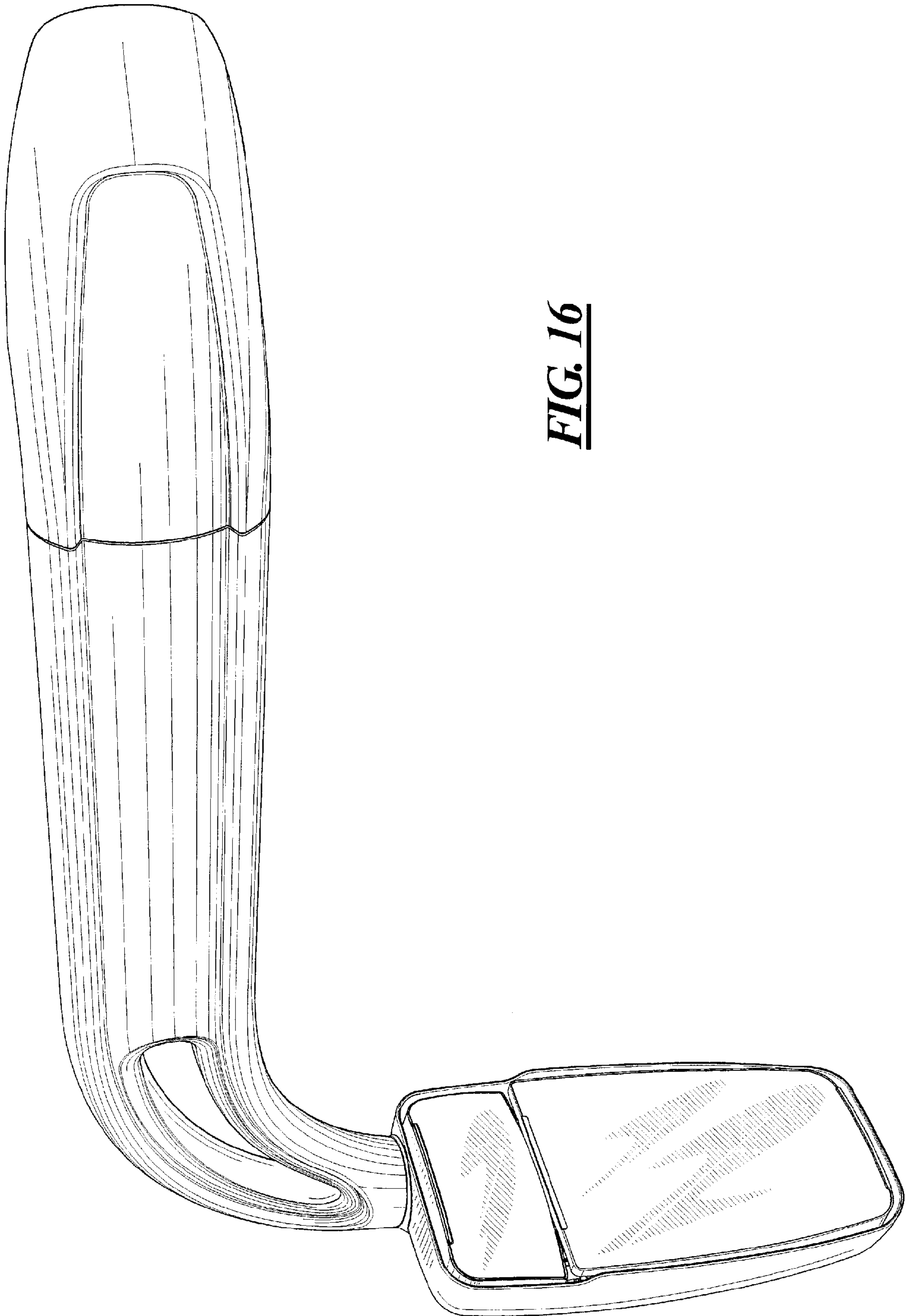


FIG. 16

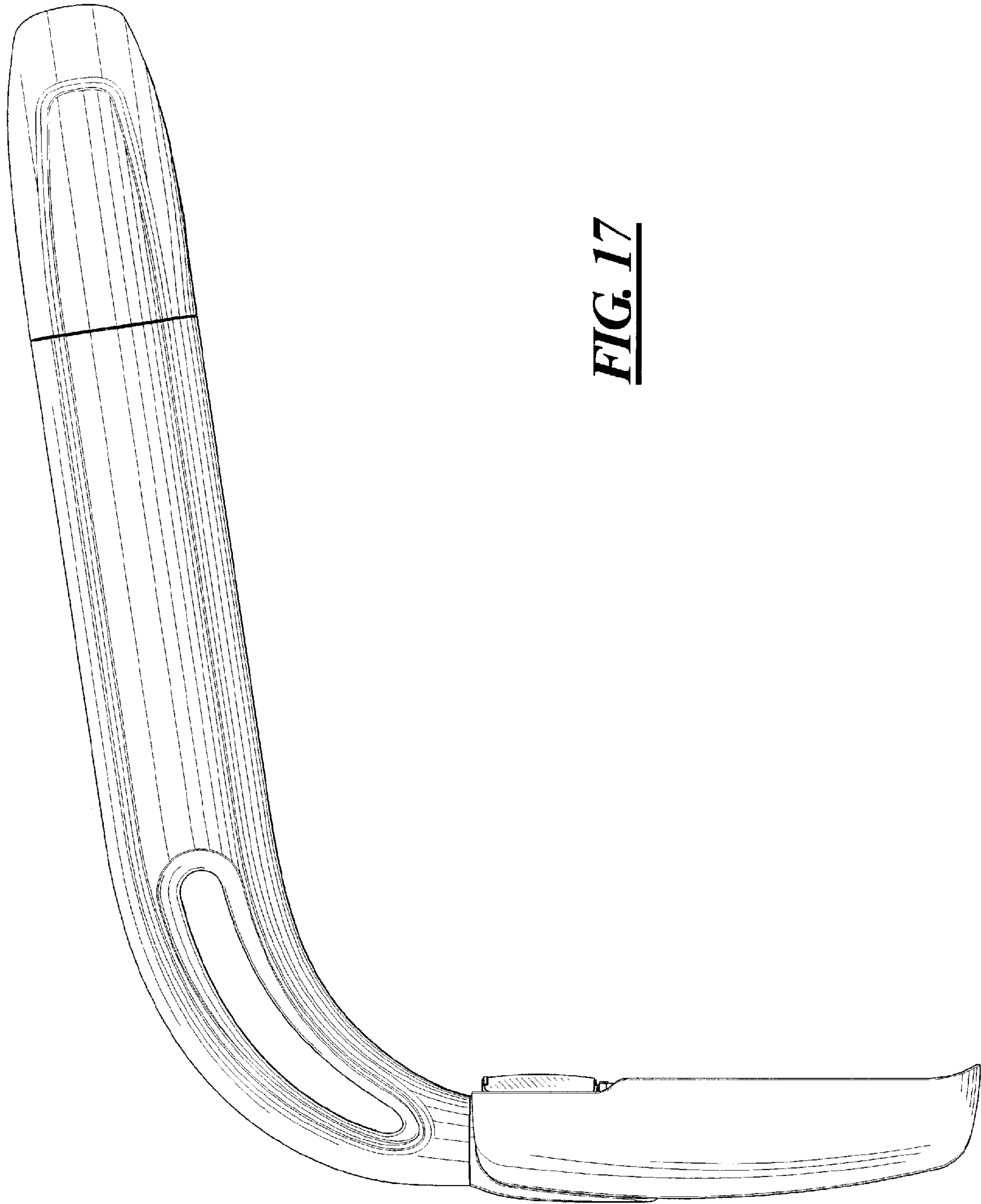


FIG. 17

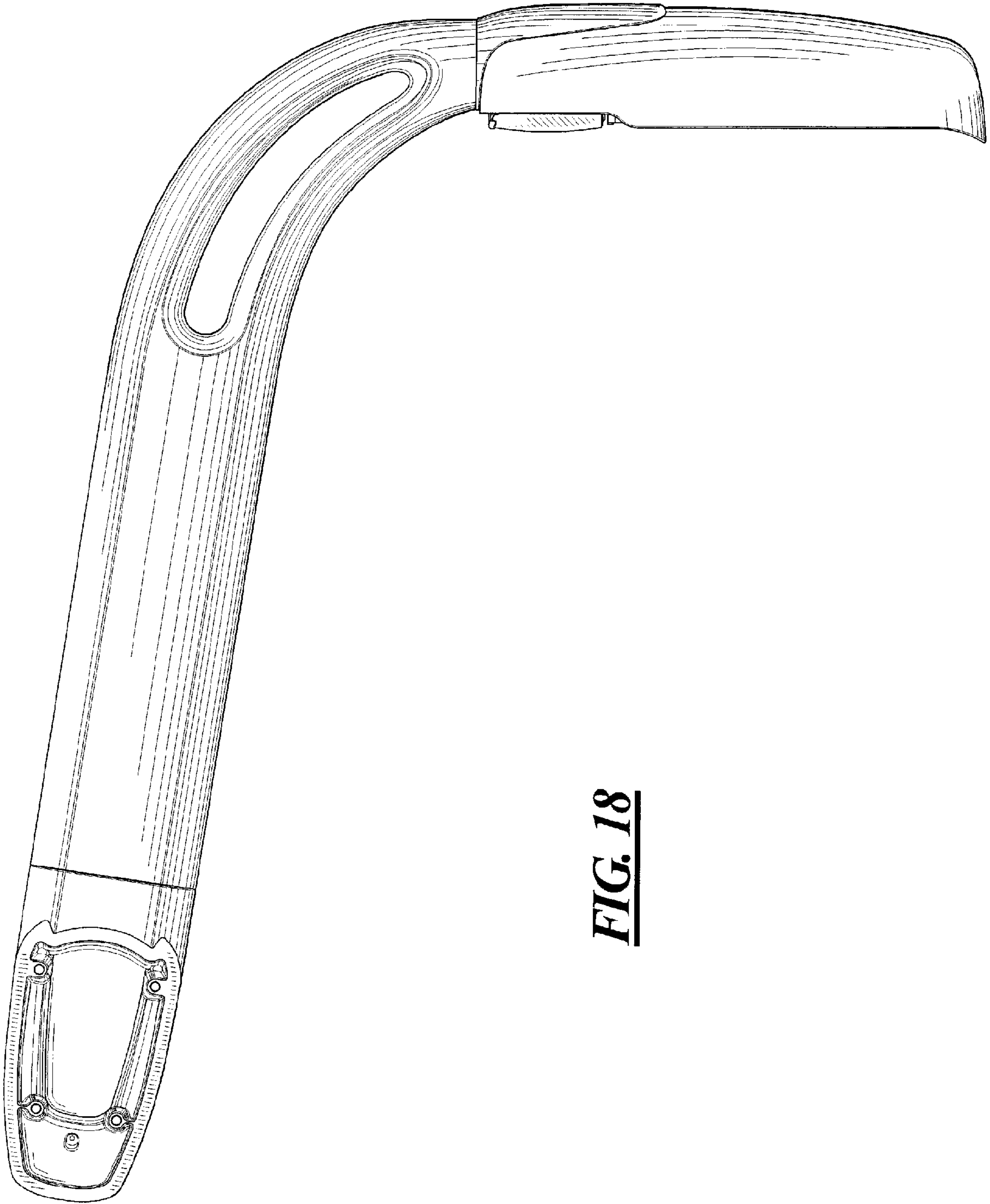


FIG. 18

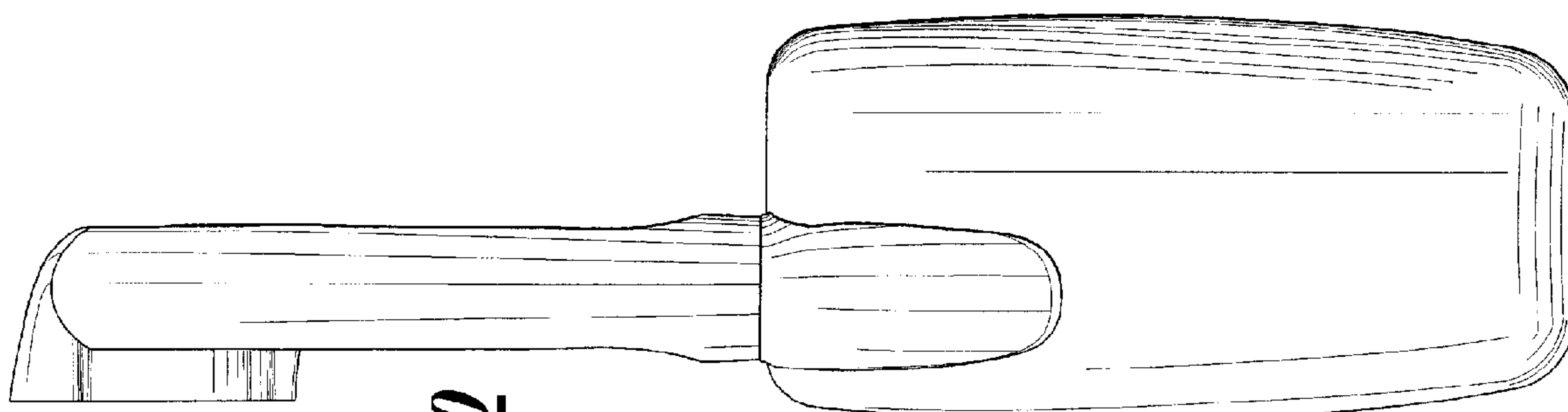


FIG. 20

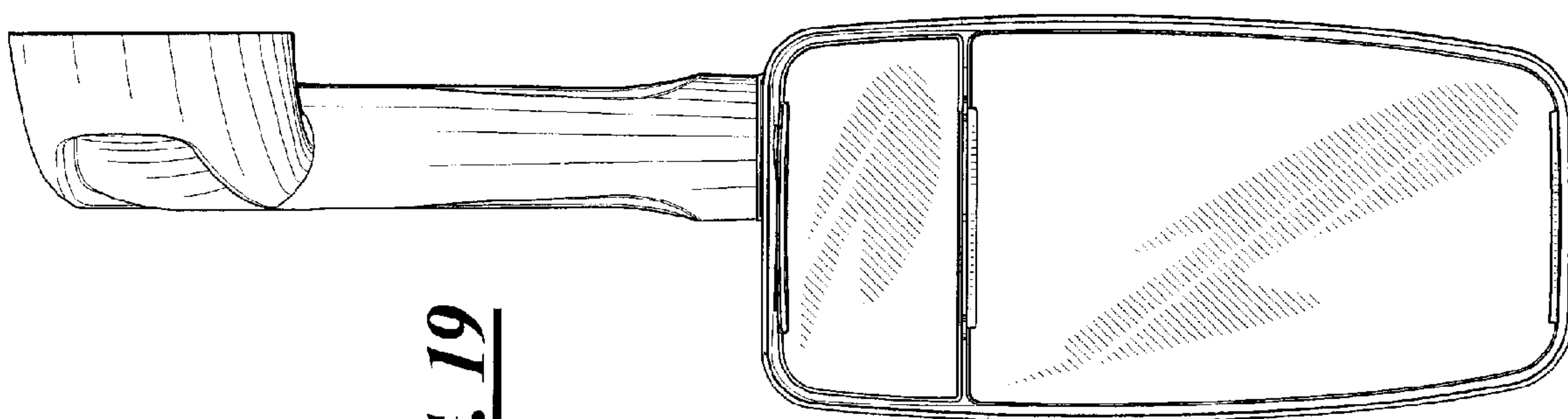


FIG. 19

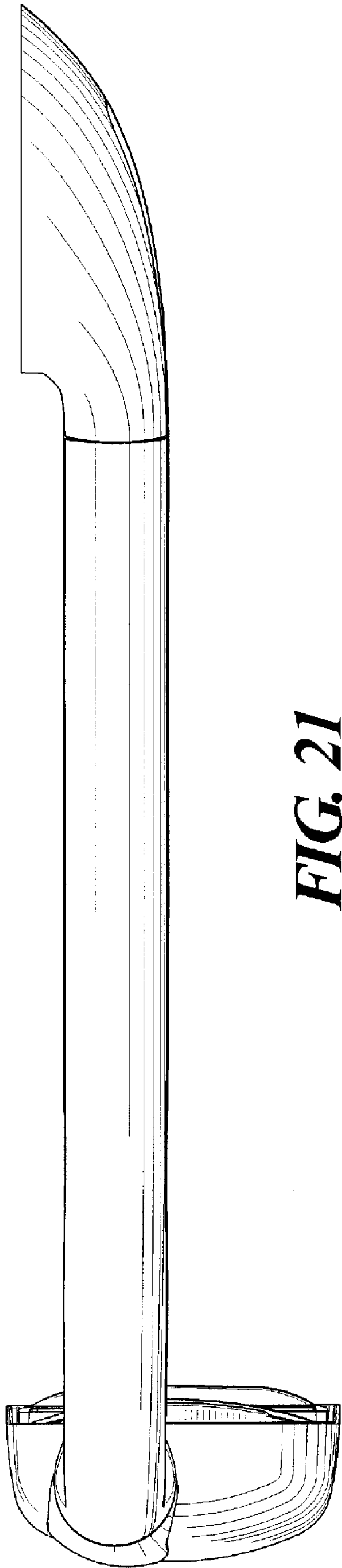


FIG. 21

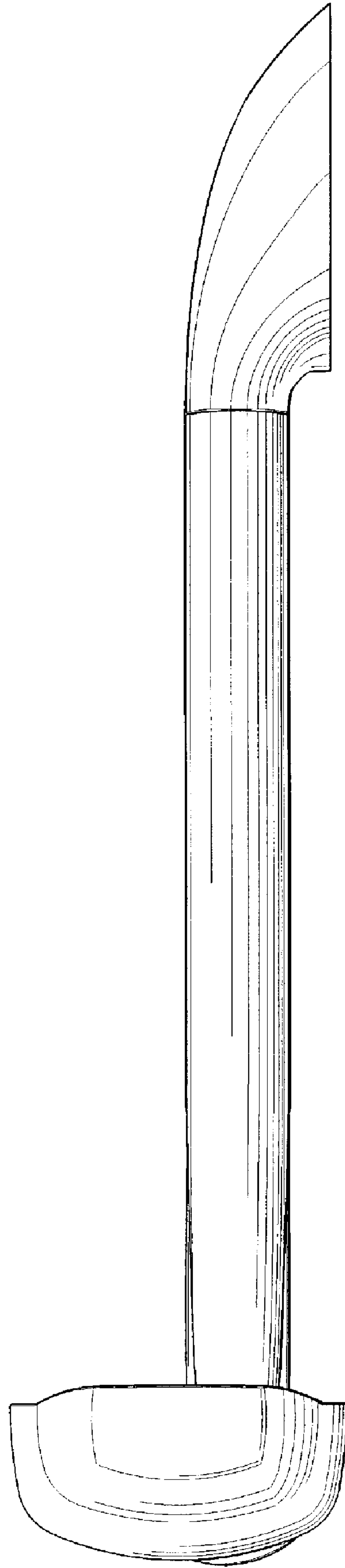


FIG. 22