



US00D607386S

(12) **United States Design Patent**  
**Kulla et al.**

(10) **Patent No.:** **US D607,386 S**  
(45) **Date of Patent:** **\*\* Jan. 5, 2010**

(54) **SPOILER FOR AN AUTOMOBILE**  
(75) Inventors: **Matthias Kulla**, Renningen (DE);  
**Andreas Preuninger**, Weissach-Flacht  
(DE)

(73) Assignee: **Dr. Ing. h.c. F. Porsche**  
**Aktiengesellschaft**, Weissach (DE)

(\*\*) Term: **14 Years**

(21) Appl. No.: **29/334,346**

(22) Filed: **Mar. 25, 2009**

(30) **Foreign Application Priority Data**  
Sep. 25, 2008 (DE) ..... 40 2008 004 573

(51) **LOC (9) Cl.** ..... **12-16**  
(52) **U.S. Cl.** ..... **D12/181**  
(58) **Field of Classification Search** ..... D12/181,  
D12/191, 190, 196, 400, 92, 90, 88; 280/727,  
280/848; 296/180.1-180.5, 91; 180/903  
See application file for complete search history.

(56) **References Cited**  
U.S. PATENT DOCUMENTS  
7,052,074 B2 \* 5/2006 Dringenberg et al. .... 296/180.5  
7,201,432 B2 \* 4/2007 Roth ..... 296/180.5  
7,213,870 B1 \* 5/2007 Williams ..... 296/180.5  
D546,742 S \* 7/2007 Lai ..... D12/181

D547,707 S \* 7/2007 Kulla ..... D12/181  
7,282,298 B2 \* 10/2007 Inatomi et al. .... 429/213  
D559,750 S \* 1/2008 Kulla ..... D12/181  
D577,314 S \* 9/2008 Dockery et al. .... D12/88  
D597,457 S \* 8/2009 Bhambra ..... D12/181  
2002/0167196 A1 \* 11/2002 Huang ..... 296/180.5  
2005/0077753 A1 \* 4/2005 Burg ..... 296/180.5  
2006/0186698 A1 \* 8/2006 Roth ..... 296/180.1  
2009/0195016 A1 \* 8/2009 Schwan et al. .... 296/180.3

\* cited by examiner

*Primary Examiner*—Caron Veynar  
*Assistant Examiner*—Katrina A Kile

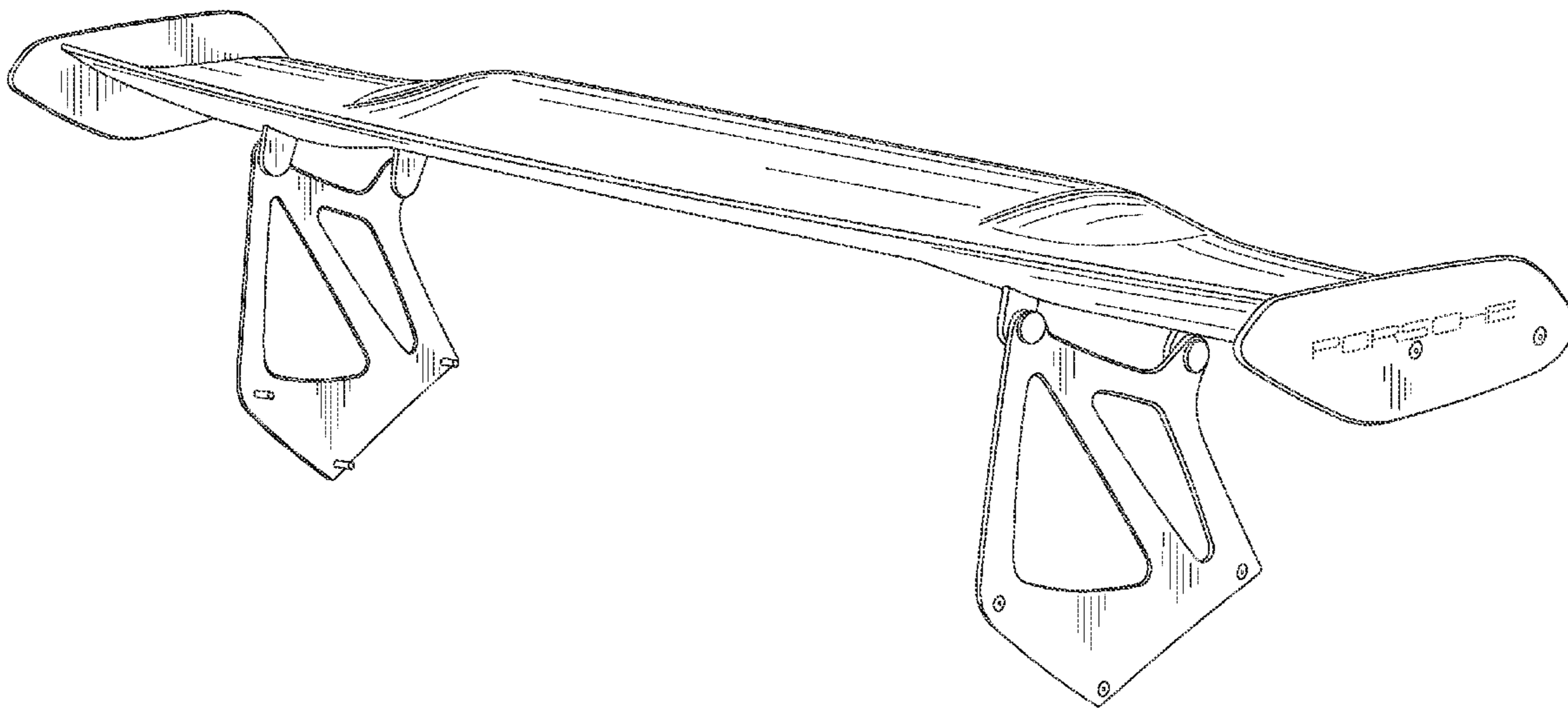
(57) **CLAIM**

The ornamental design for a spoiler for an automobile, as shown and described.

**DESCRIPTION**

FIG. 1 is a front perspective view of a spoiler for an automobile showing my new design;  
FIG. 2 is a rear, perspective view thereof;  
FIG. 3 is a right-side view thereof;  
FIG. 4 is a left-side view thereof;  
FIG. 5 is a top, plan view thereof;  
FIG. 6 is a front view thereof; and,  
FIG. 7 is a rear view thereof.

**1 Claim, 5 Drawing Sheets**



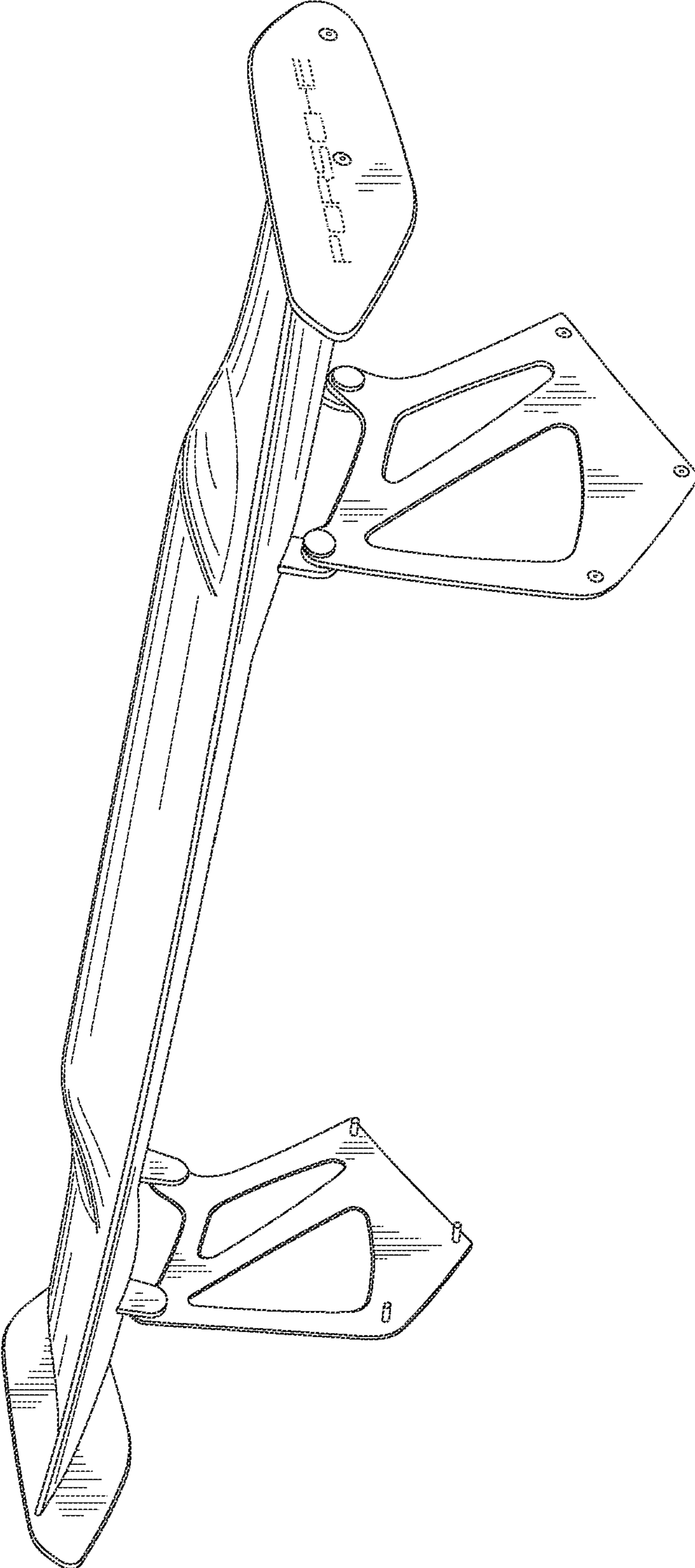


FIG. 1

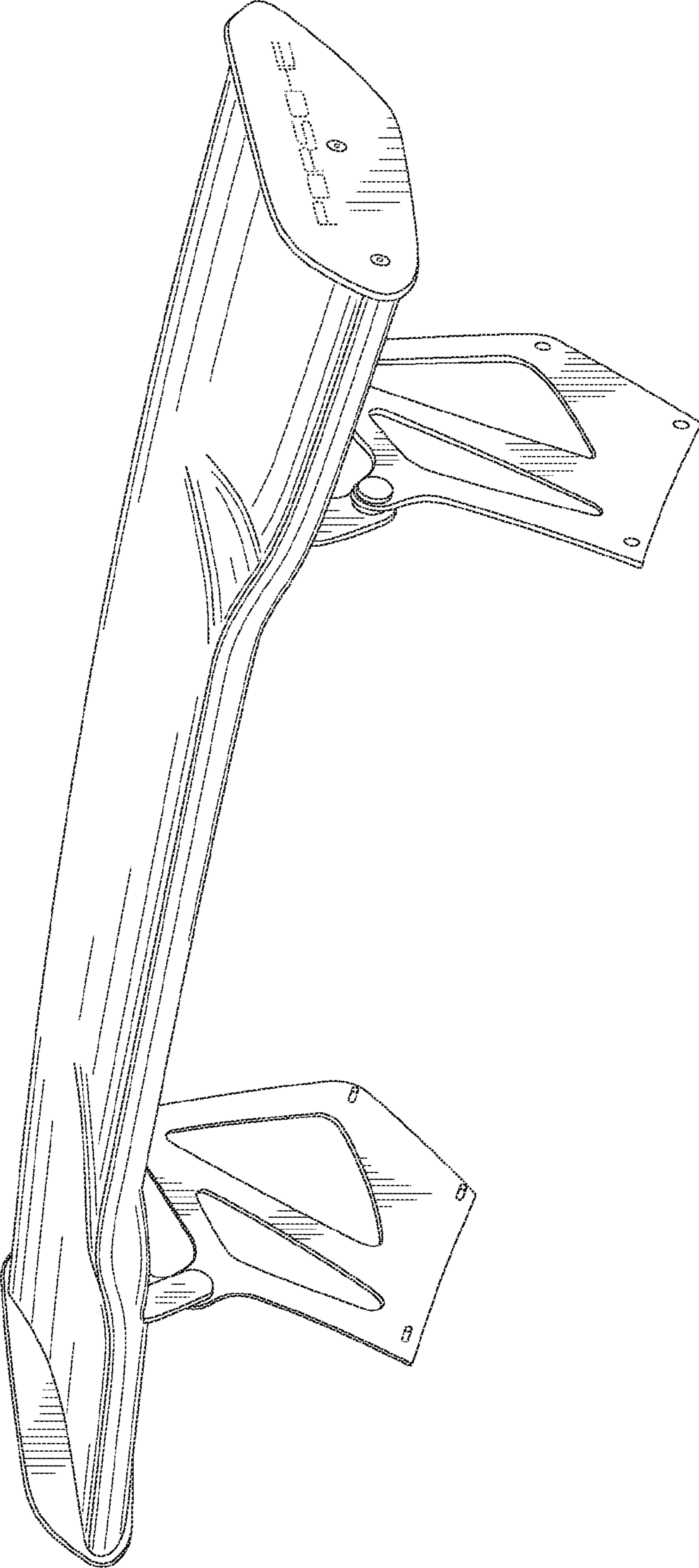


FIG. 2

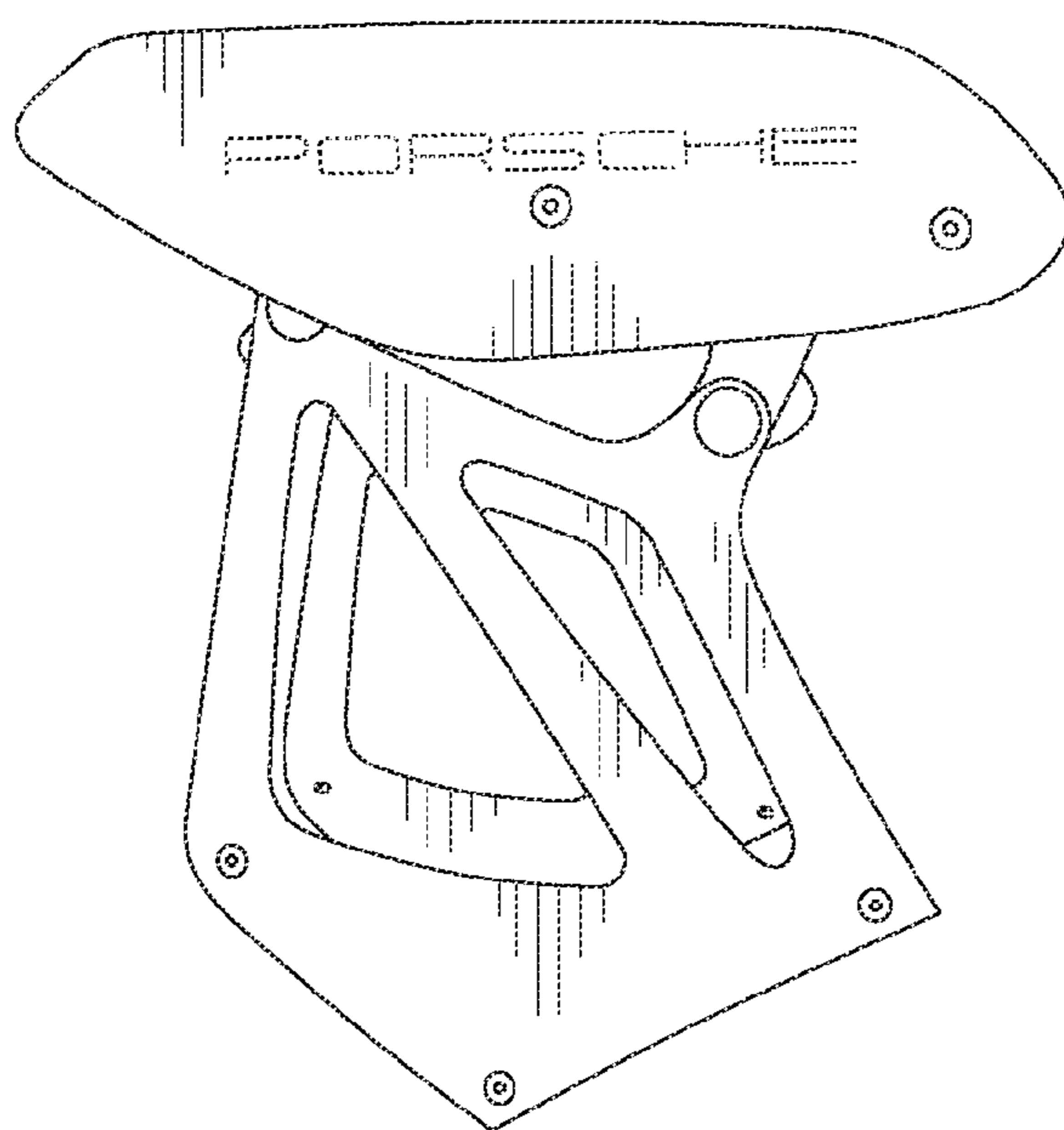


FIG. 3

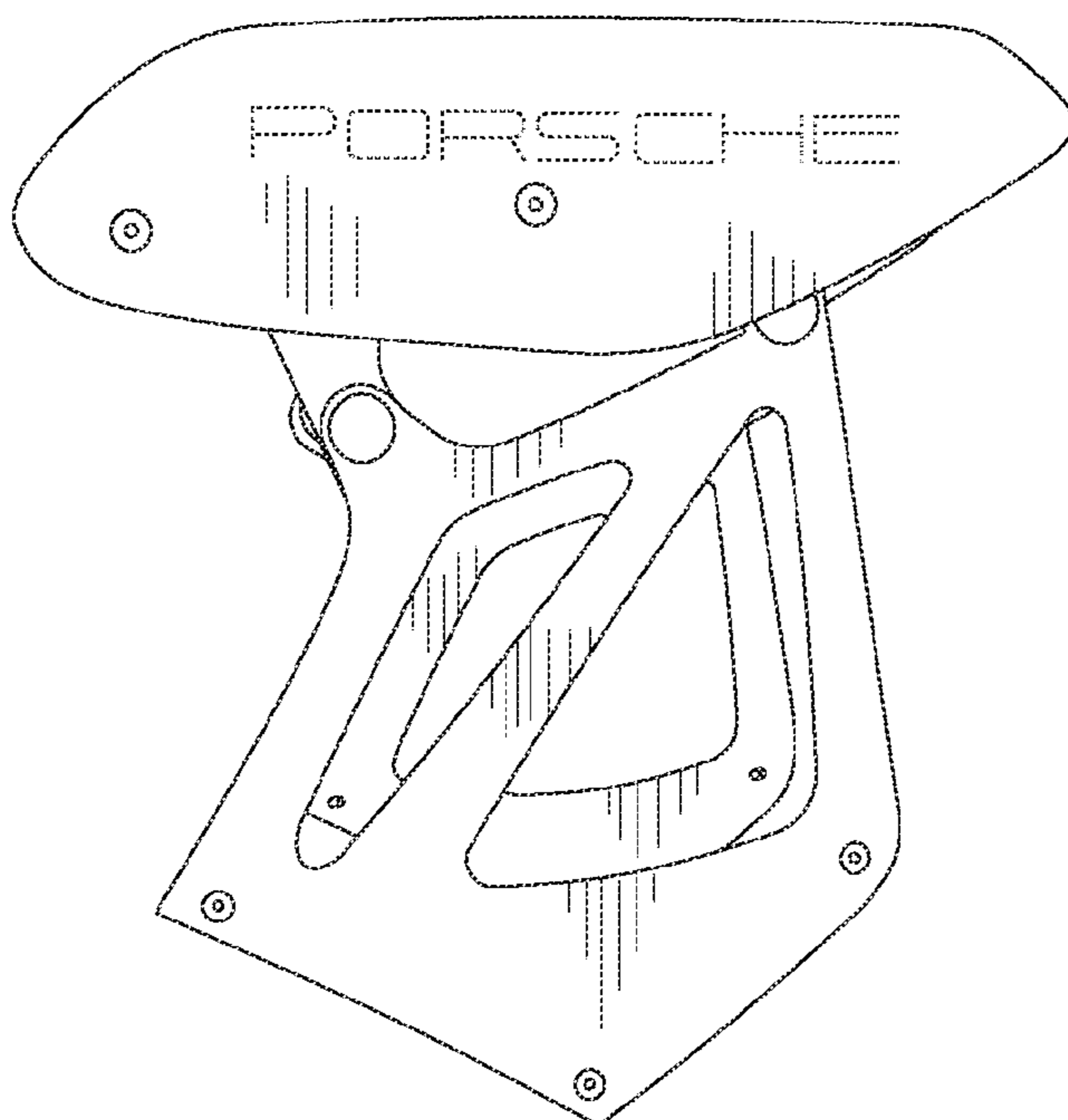


FIG. 4

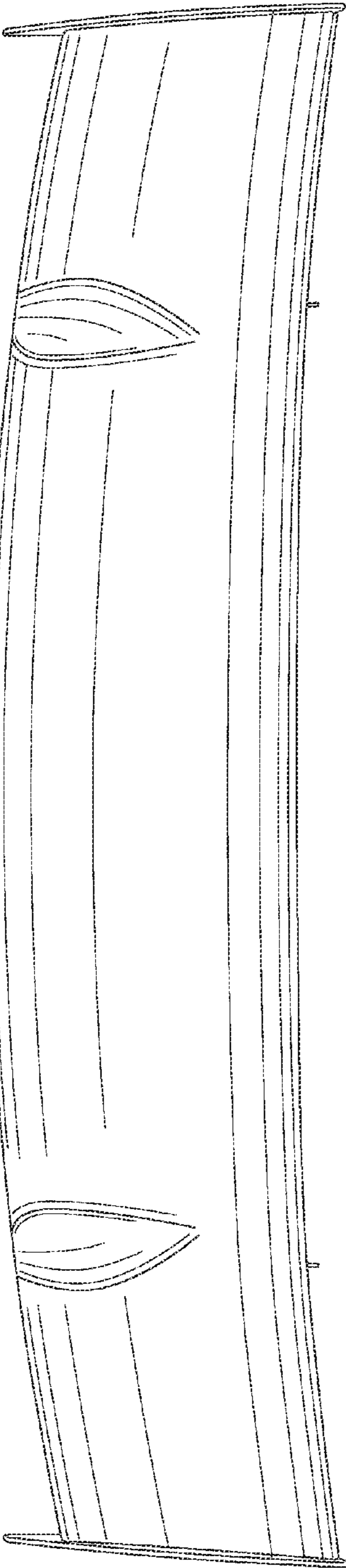


FIG. 5

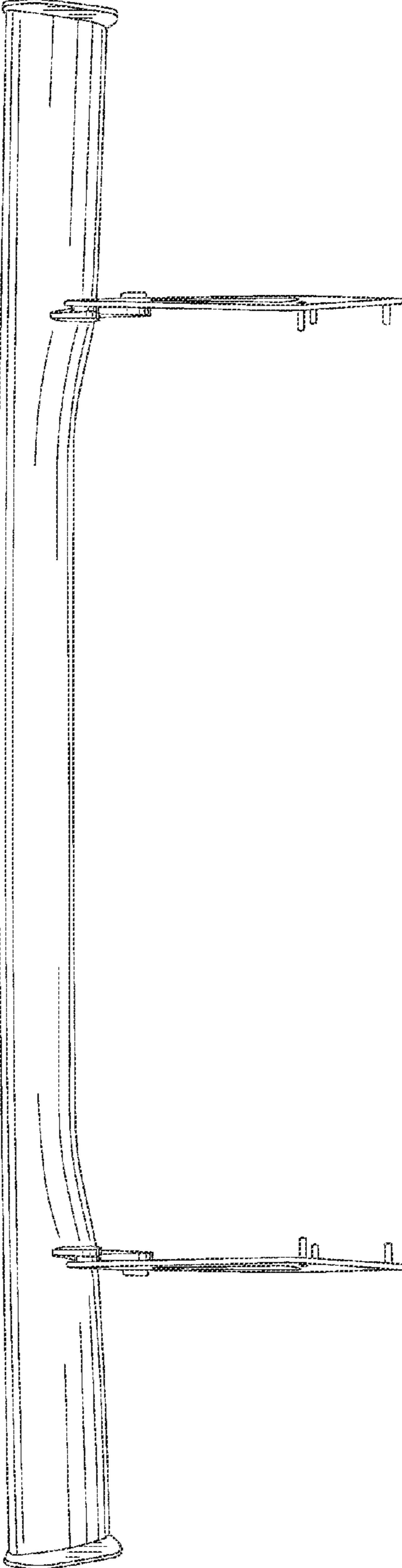


FIG. 6

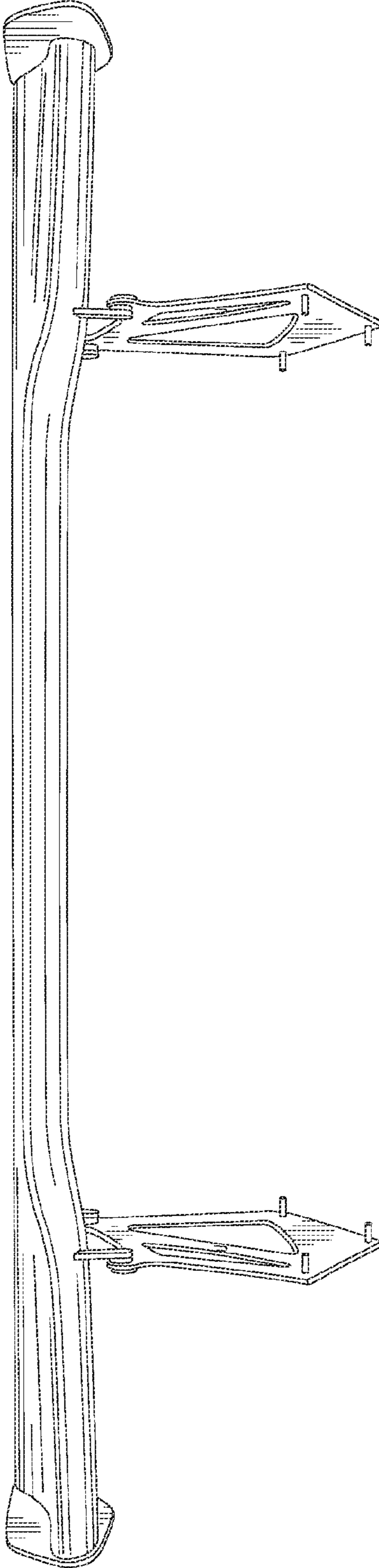


FIG. 7