



US00D607381S

(12) **United States Design Patent**  
**Lekkas**

(10) **Patent No.:** **US D607,381 S**  
(45) **Date of Patent:** **\*\* Jan. 5, 2010**

(54) **BALL HITCH**

(75) Inventor: **Athan Lekkas**, North Adelaide (AU)

(73) Assignee: **Dalex Products Pty Ltd**, North Adelaide (AU)

(\*\*) Term: **14 Years**

(21) Appl. No.: **29/331,714**

(22) Filed: **Jan. 30, 2009**

(51) **LOC (9) Cl.** ..... **12-16**

(52) **U.S. Cl.** ..... **D12/162**

(58) **Field of Classification Search** ..... D12/159,  
D12/160, 161, 162, 400; 280/406.2, 407,  
280/407.1, 408, 411.1, 416.1, 416.2, 416.3,  
280/418, 418.1, 433, 434, 435, 441.1, 441.2,  
280/455.1, 456.1, 480, 493, 504, 508, 511;  
224/400, 401, 412, 413, 42.11, 42.12, 42.14,  
224/42.26, 488, 494, 537; 37/399; 172/47;  
56/DIG. 14

See application file for complete search history.

(56) **References Cited**

**U.S. PATENT DOCUMENTS**

3,679,234	A *	7/1972	Colliau	280/511
4,209,184	A *	6/1980	Byers	280/511
4,280,713	A *	7/1981	Bruhn	280/416.1
4,729,571	A *	3/1988	Tienstra	280/416.1
4,861,062	A *	8/1989	Stidsen	280/507
D317,426	S *	6/1991	Lytle	D12/162
5,205,574	A *	4/1993	Heath	280/495
5,358,269	A *	10/1994	Jakeman et al.	280/490.1
5,395,131	A *	3/1995	Herrick	280/507
5,549,316	A *	8/1996	Jones	280/477
D375,065	S *	10/1996	Duvernay et al.	D12/162
D376,780	S *	12/1996	McCoy	D12/162
5,839,744	A *	11/1998	Marks	280/416.1
5,884,931	A *	3/1999	McCoy	280/511
5,890,726	A *	4/1999	McCoy et al.	280/406.1
5,890,727	A *	4/1999	May	280/416.1
D415,986	S *	11/1999	Stech	D12/162
6,145,861	A *	11/2000	Willis	280/163

D436,065	S *	1/2001	Peng	D12/162
6,203,048	B1 *	3/2001	Adair	280/491.5
6,234,510	B1 *	5/2001	Hammons	280/477
6,460,870	B2 *	10/2002	Moss	280/491.3
6,709,002	B2 *	3/2004	Tambornino	280/511
D488,110	S *	4/2004	Borysenko	D12/162
D496,888	S *	10/2004	Johnson, Jr.	D12/162
6,837,510	B1 *	1/2005	Karls	280/416.1
6,837,511	B1 *	1/2005	Johnson, III	280/511
D501,434	S *	2/2005	Peng	D12/162
6,983,950	B2 *	1/2006	McCoy et al.	280/511
7,004,492	B2 *	2/2006	Moss et al.	280/511
D526,939	S *	8/2006	Profitt et al.	D12/162
7,258,359	B2 *	8/2007	Wooten	280/491.5
D553,056	S *	10/2007	Eberle	D12/162
D576,526	S *	9/2008	McBain	D12/162
2001/0045725	A1 *	11/2001	McCoy et al.	280/511
2003/0020256	A1 *	1/2003	Irgens et al.	280/511
2004/0256837	A1 *	12/2004	McCoy et al.	280/511
2005/0104327	A1 *	5/2005	Irgens et al.	280/511
2006/0279067	A1 *	12/2006	Irgens et al.	280/511
2008/0272574	A1 *	11/2008	Stuart	280/511
2009/0026730	A1 *	1/2009	Frantz	280/511
2009/0079164	A1 *	3/2009	Columbia	280/511

\* cited by examiner

*Primary Examiner*—T. Chase Nelson

*Assistant Examiner*—Michael A Pratt

(74) *Attorney, Agent, or Firm*—Weiner & Burt, P.C.; Irving M. Weiner; Pamela S. Burt

(57) **CLAIM**

The ornamental design for a ball hitch, as shown and described.

**DESCRIPTION**

FIG. 1 is a perspective view showing my new design.

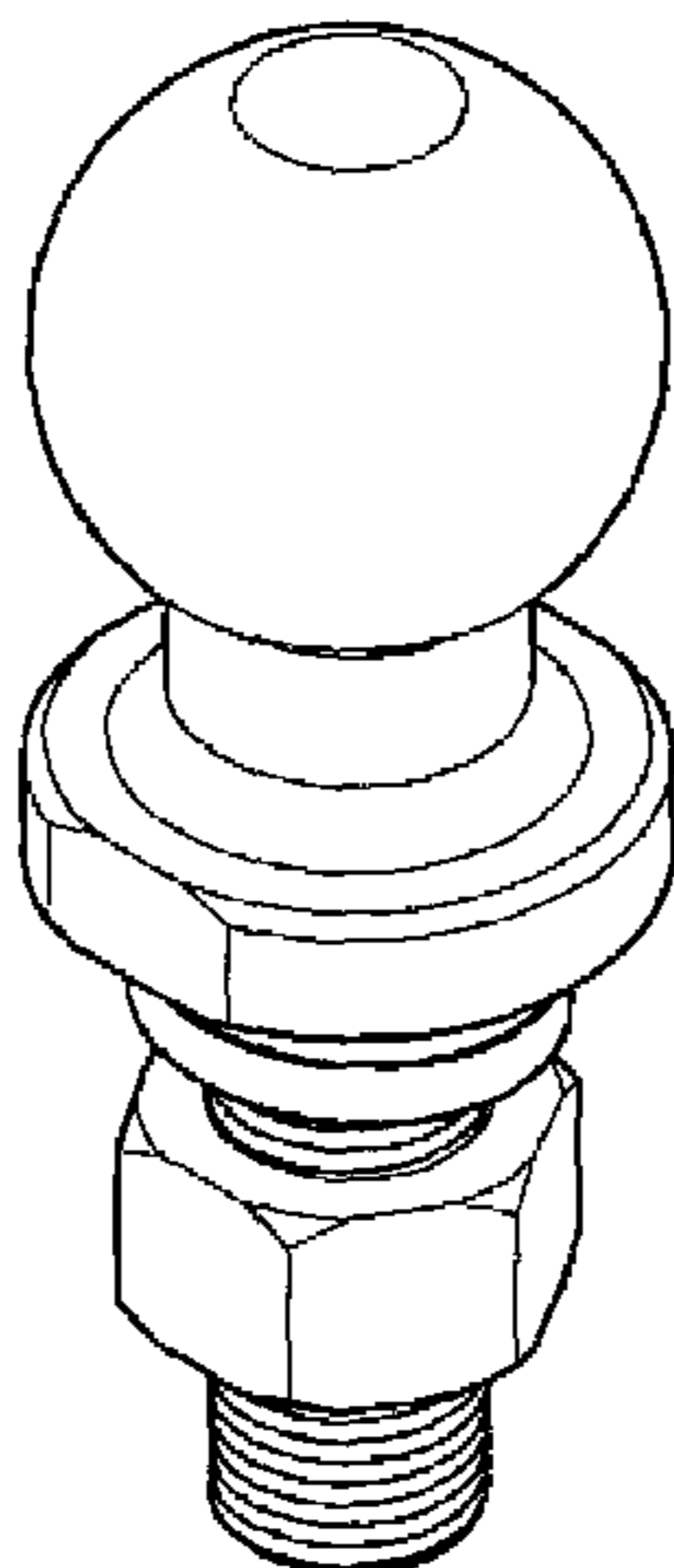
FIG. 2 is a top plan view thereof.

FIG. 3 is a bottom view thereof.

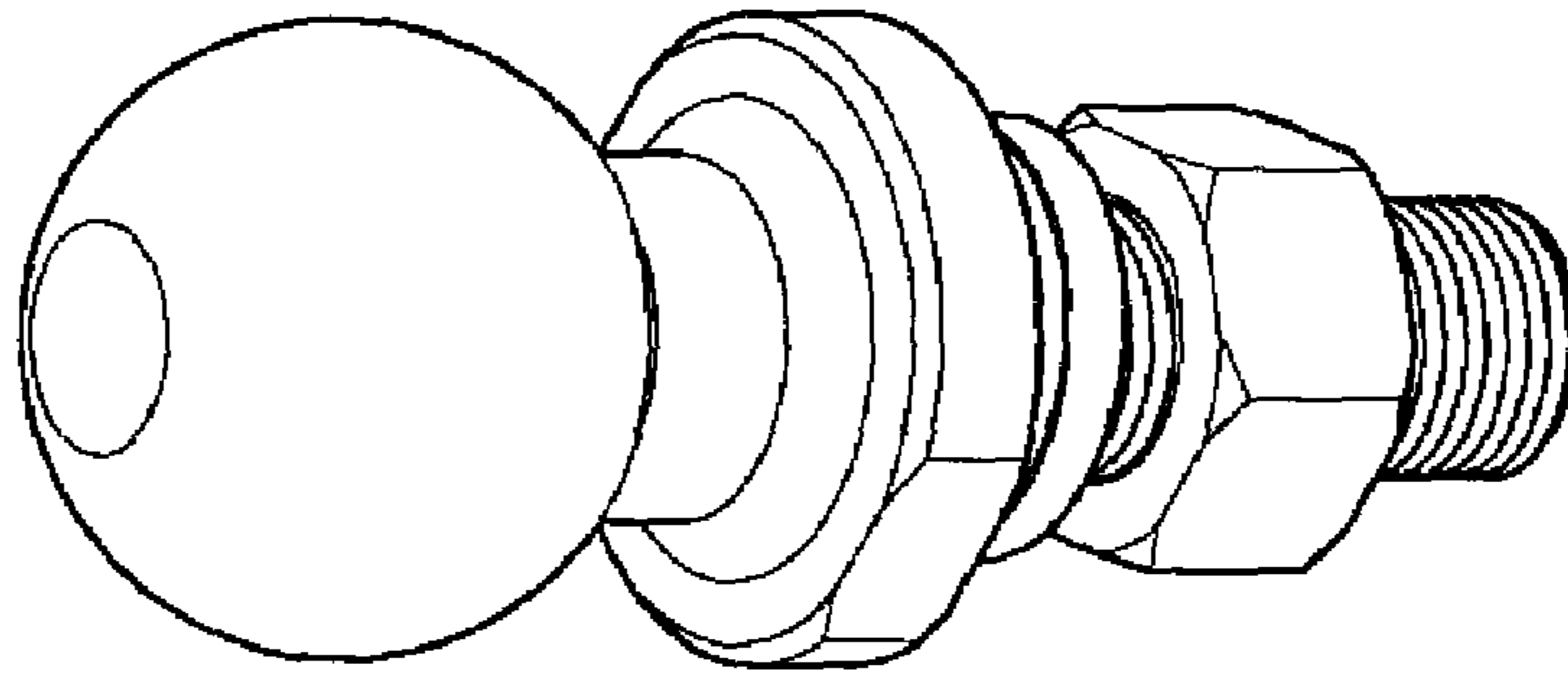
FIG. 4 is a side elevational view thereof; and,

FIG. 5 is a front elevational view thereof.

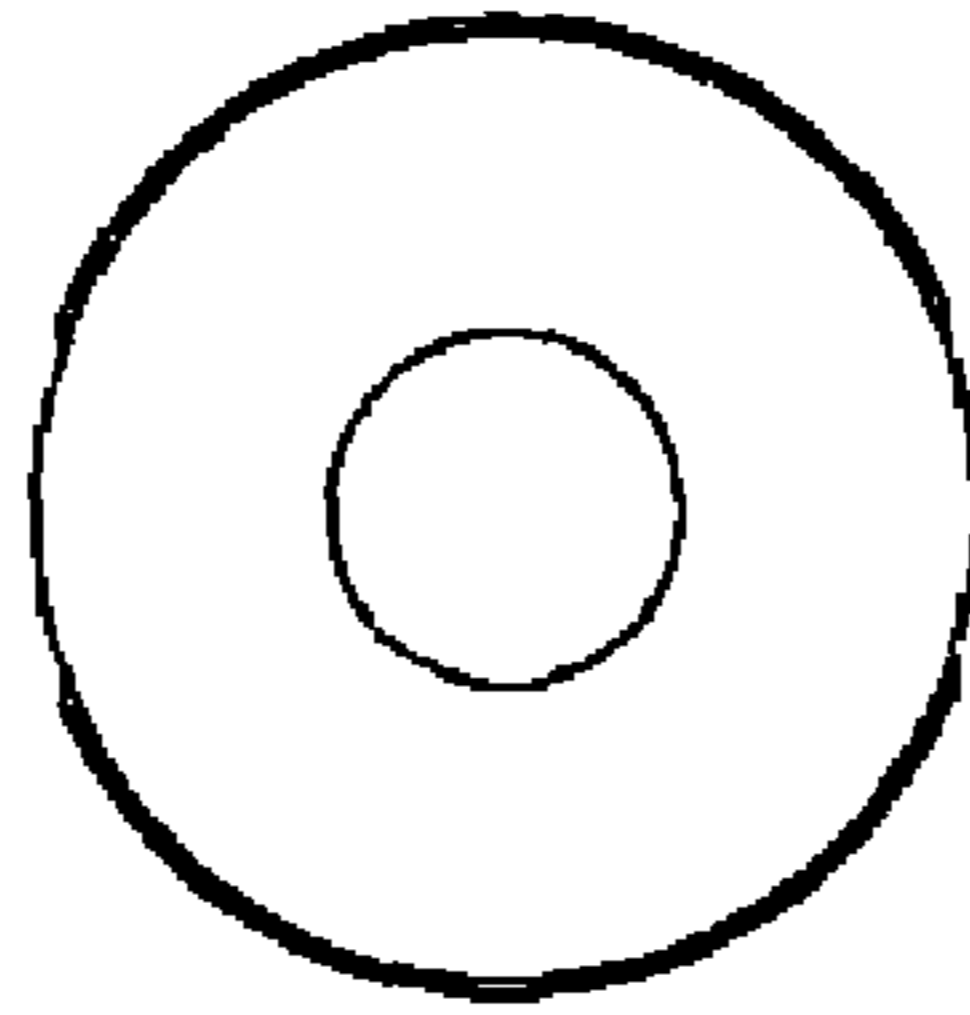
**1 Claim, 1 Drawing Sheet**



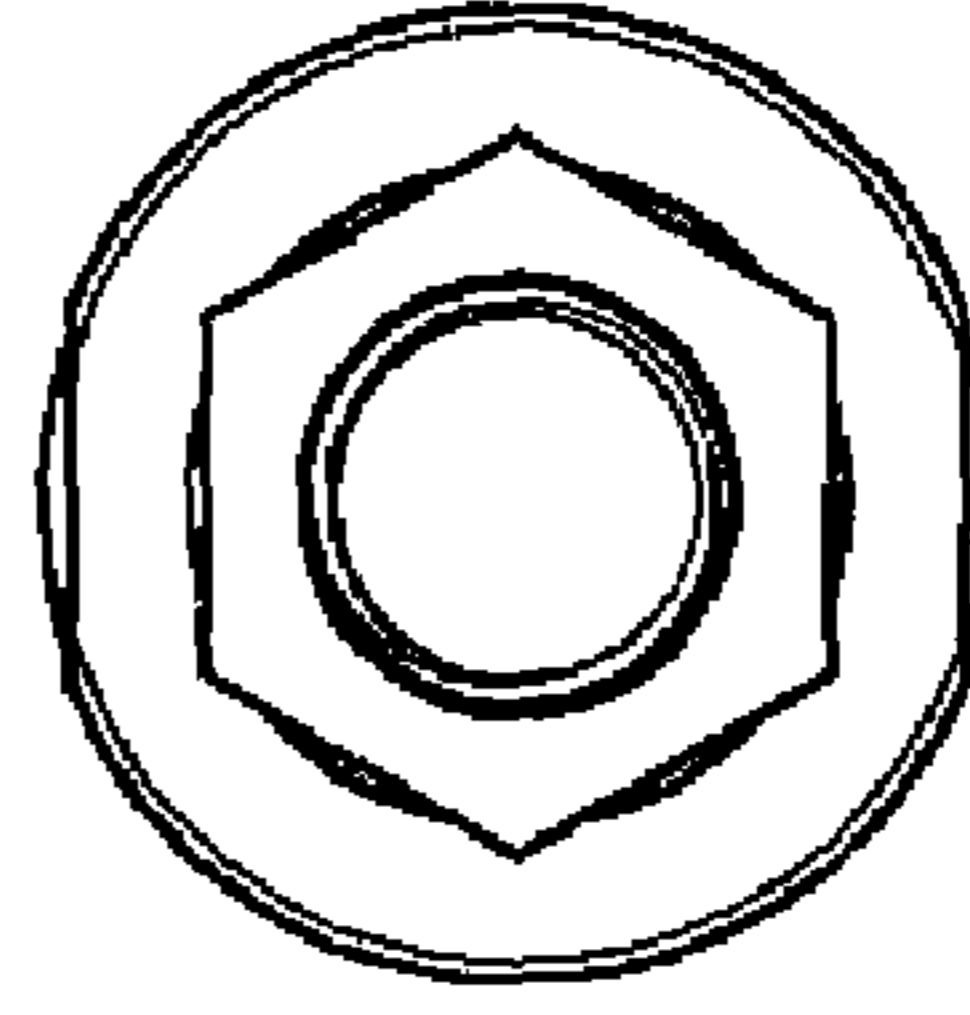
**Fig 1**



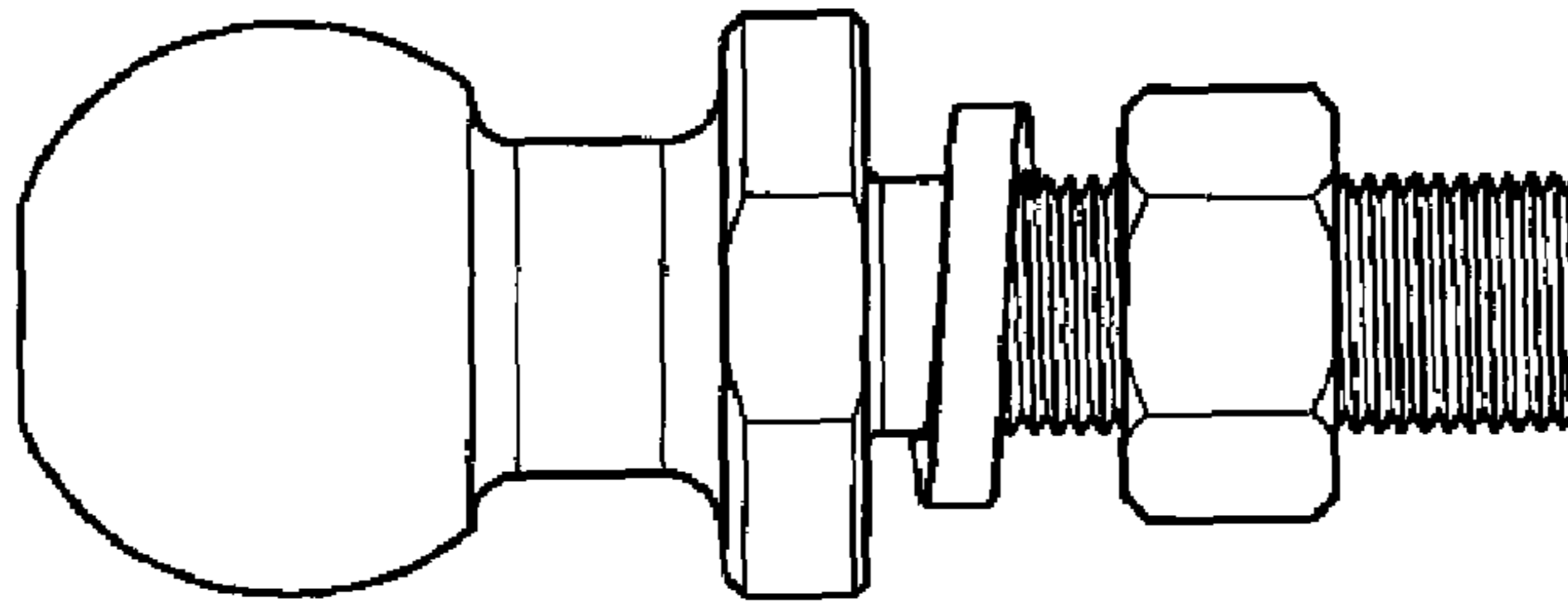
**Fig 2**



**Fig 3**



**Fig 4**



**Fig 5**

