



US00D607380S

(12) **United States Design Patent**
Lundin et al.

(10) **Patent No.:** **US D607,380 S**
(45) **Date of Patent:** **** Jan. 5, 2010**

(54) **BED FOR A DUMP TRAILER**

D561,648 S * 2/2008 Shelton D12/101

* cited by examiner

(75) Inventors: **David K. Lundin**, Litchfield, MN (US);
Kyle M. Wald, Litchfield, MN (US);
Timothy J. Schwartz, Atwater, MN
(US); **Curtis E. Tagtow**, Atwater, MN
(US)

Primary Examiner—Stacia Cadmus

(74) *Attorney, Agent, or Firm*—Patterson, Thuente, Skaar &
Christensen, P.A.

(73) Assignee: **Towmaster, Inc.**, Litchfield, MN (US)

(57) **CLAIM**

(**) Term: **14 Years**

We claim the ornamental design for a bed for a dump trailer,
as shown and described.

(21) Appl. No.: **29/339,254**

DESCRIPTION

(22) Filed: **Jun. 26, 2009**

FIG. 1 is a perspective view of a bed for a dump trailer
according to an embodiment of the invention with the trailer
depicted in phantom.

(51) **LOC (9) Cl.** **12-10**

(52) **U.S. Cl.** **D12/106**

FIG. 2 is a top plan form view of a bed for a dump trailer
according to an embodiment of the invention.

(58) **Field of Classification Search** D12/101–106,
D12/15, 221; 280/475, 656, 837, 763.1,
280/482; 296/181, 190; D15/13

FIG. 3 is a bottom plan form view of a bed for a dump trailer
according to an embodiment of the invention.

See application file for complete search history.

FIG. 4 is a first side elevational view of a bed for a dump trailer
according to an embodiment of the invention.

(56) **References Cited**

U.S. PATENT DOCUMENTS

- D335,267 S * 5/1993 Upshaw D12/221
- D361,047 S * 8/1995 Repke D12/101
- D403,651 S * 1/1999 Reiter D12/221
- D438,836 S * 3/2001 Reiter D12/221
- D483,697 S * 12/2003 Hicks D12/102
- D515,464 S * 2/2006 DeShong D12/101
- D522,409 S * 6/2006 Wittkowski D12/101
- D559,759 S * 1/2008 Truan et al. D12/221

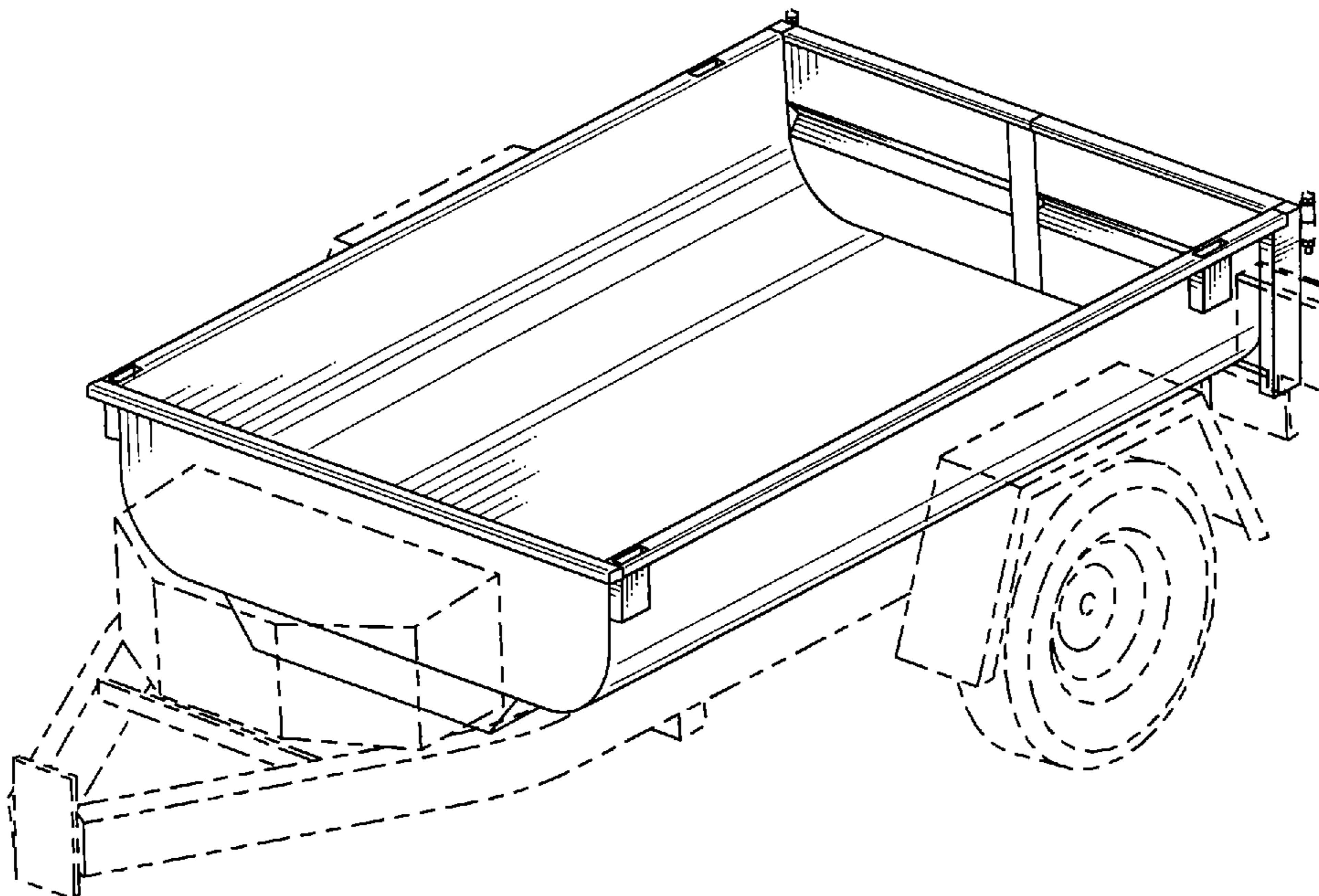
FIG. 5 is a second side elevational view of a bed for a dump
trailer according to an embodiment of the invention.

FIG. 6 is a front end elevational view of a bed for a dump
trailer according to an embodiment of the invention; and,

FIG. 7 is a rear end elevational view of a bed for a dump trailer
according to an embodiment of the invention.

The broken line showing of the wheeled base of the trailer is
included for the purpose of illustrating environment and
forms no part of the claimed design.

1 Claim, 5 Drawing Sheets



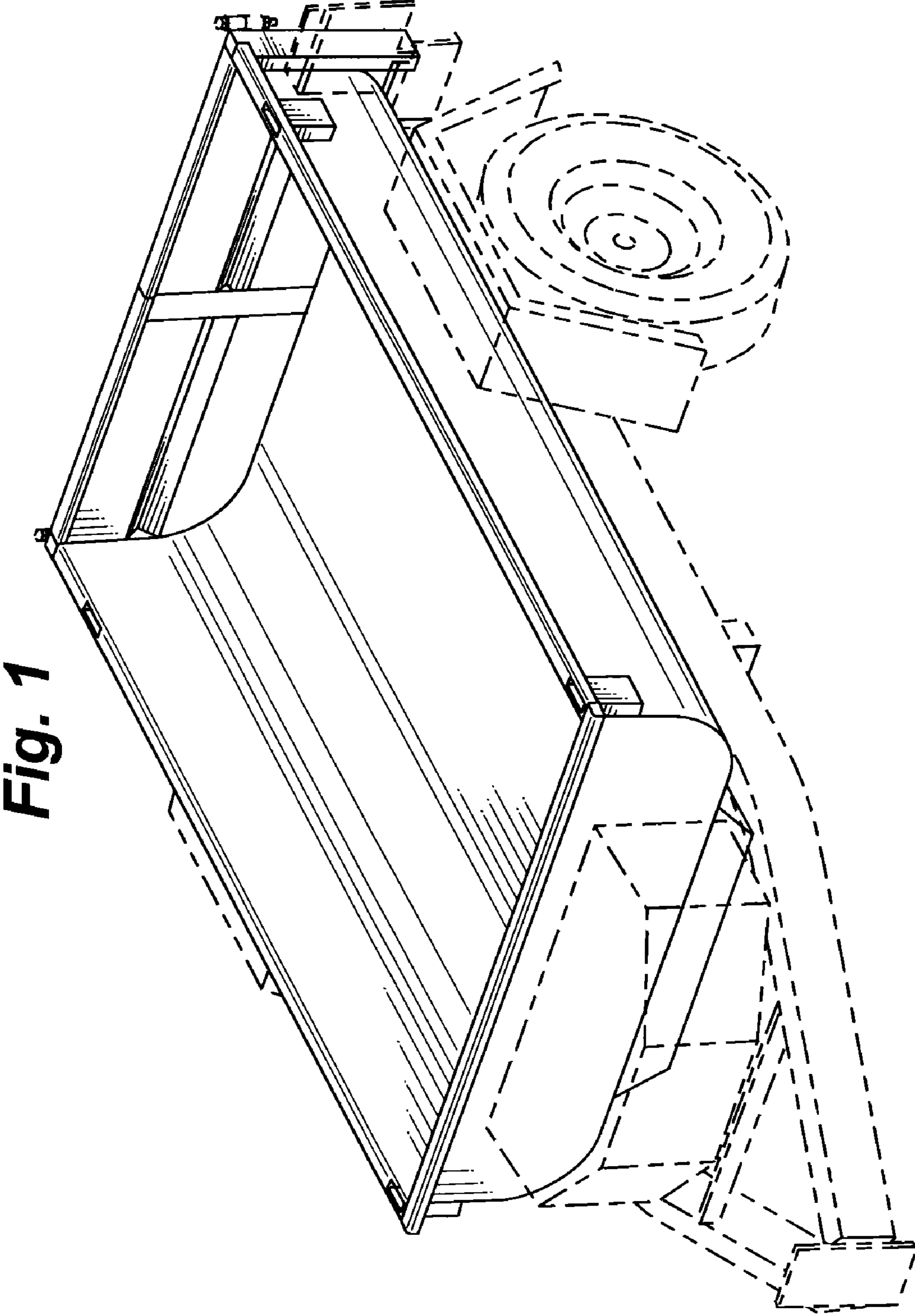


Fig. 1

Fig. 2

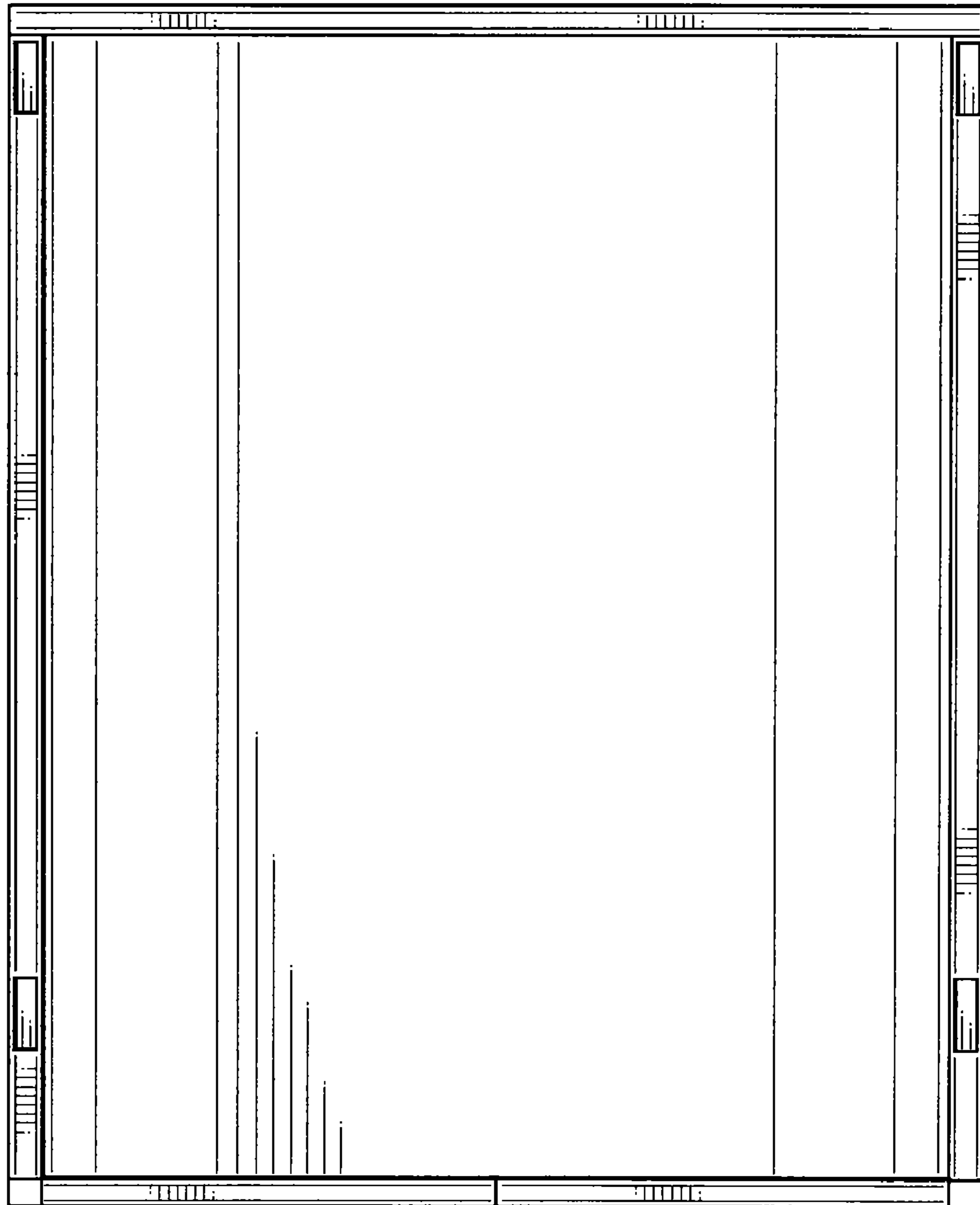


Fig. 3

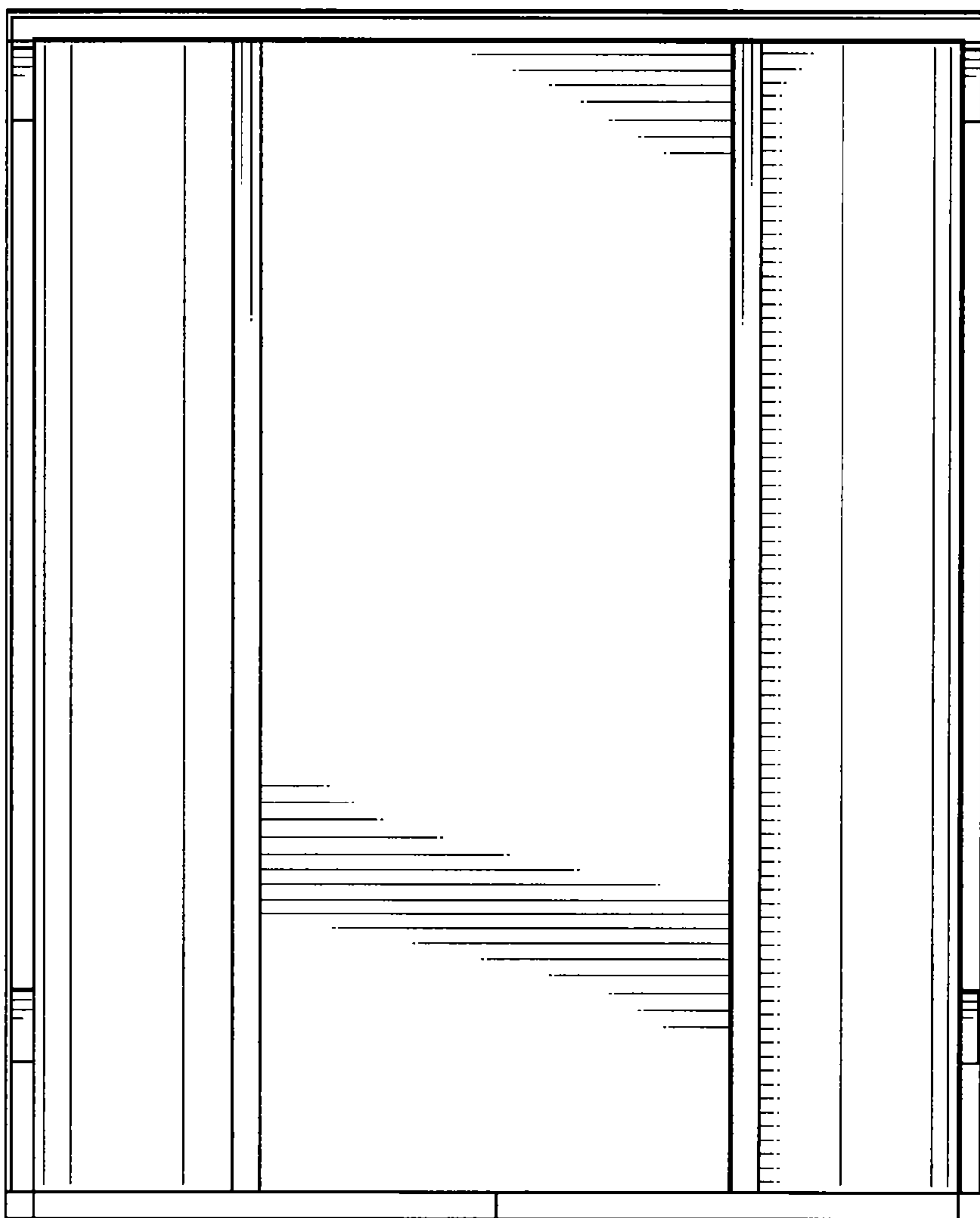


Fig. 4

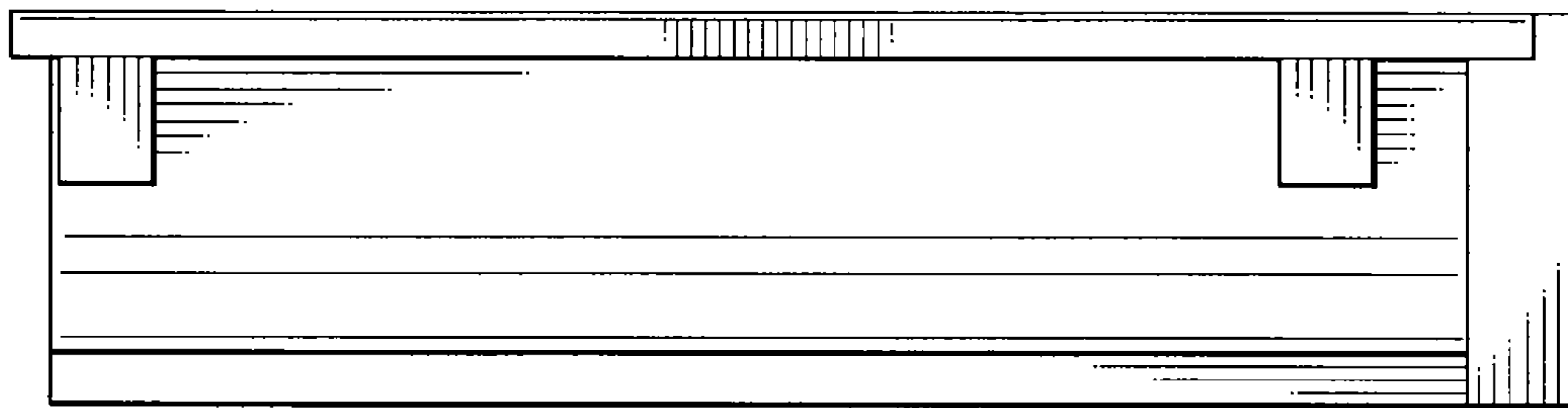


Fig. 5

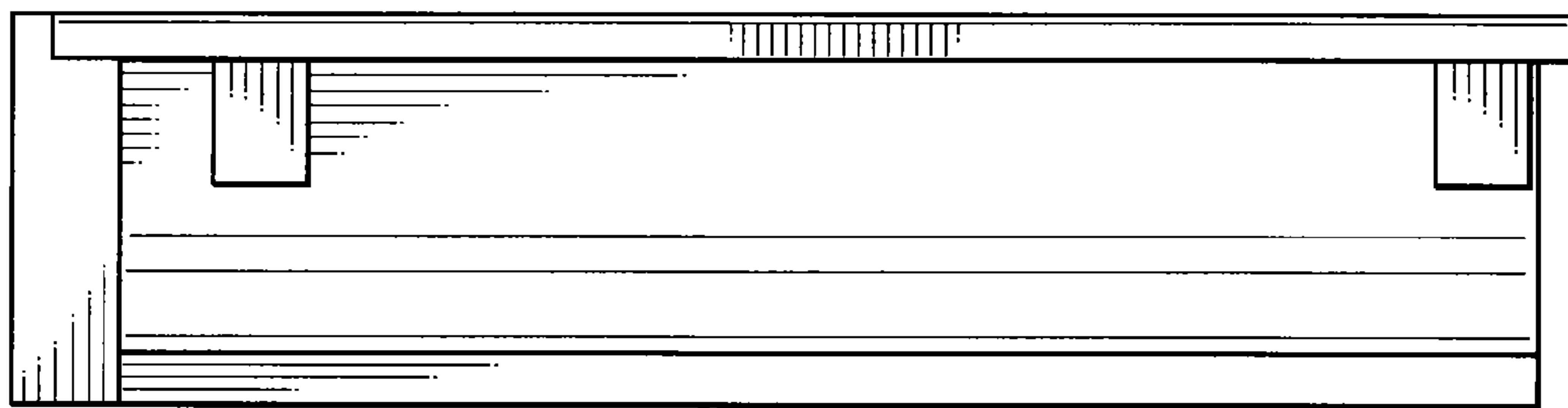


Fig. 6

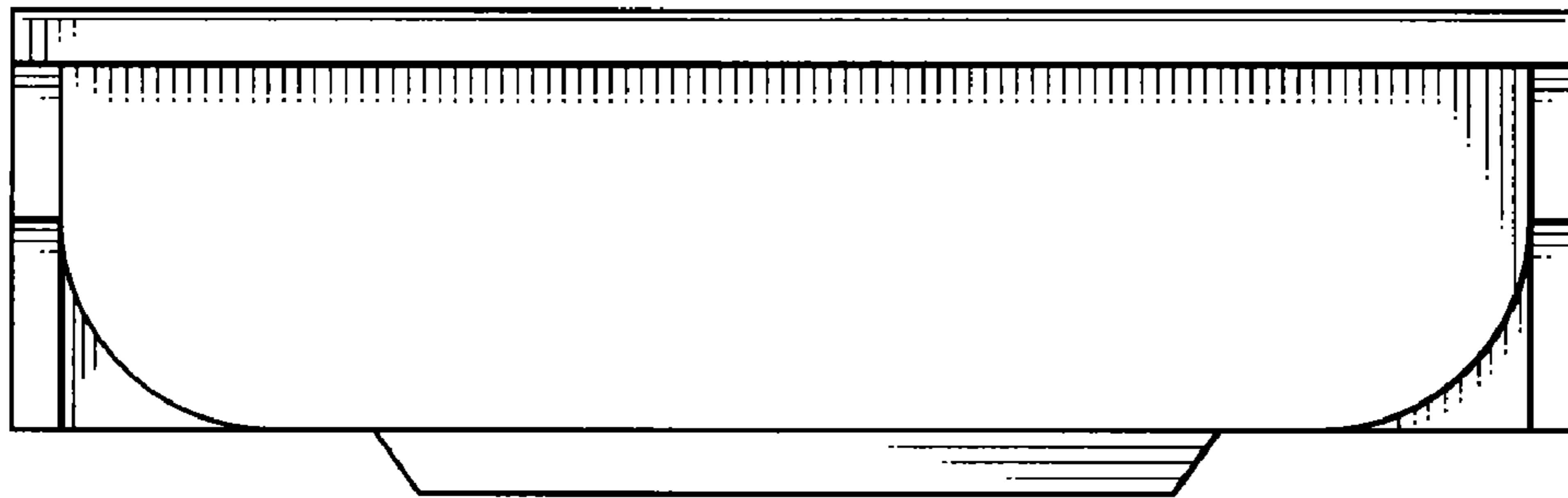


Fig. 7

