



US00D607375S

(12) **United States Design Patent**
Koenig et al.

(10) **Patent No.:** **US D607,375 S**
(45) **Date of Patent:** **** Jan. 5, 2010**

(54) **RADIAL ADJUSTER MECHANISM FOR STORAGE AND TRANSPORT DEVICES**

(76) Inventors: **Thomas L. Koenig**, 1350 Hayes St., Suite C-16, Benicia, CA (US) 94510;
Margaret Riabie, 300 Yachtsman Dr., Vallerjo, CA (US) 94591

(**) Term: **14 Years**

(21) Appl. No.: **29/236,209**

(22) Filed: **Aug. 11, 2005**

(51) **LOC (9) Cl.** **02-07**

(52) **U.S. Cl.** **D11/200**

(58) **Field of Classification Search** D11/200,
D11/221, 216, 218, 215; D8/330, 338; D3/215,
D3/216, 218; D2/978; D34/33; 24/68 B,
24/71.1, 68 R, 68 C, 265 R, 393, 395, 403,
24/170; 224/259, 258, 162; 36/50.5
See application file for complete search history.

(56) **References Cited**

U.S. PATENT DOCUMENTS

2,438,188	A *	3/1948	Thrower	242/396.1
3,214,809	A *	11/1965	Edwards	24/68 B
4,433,456	A *	2/1984	Baggio	24/68 SK
4,680,878	A *	7/1987	Pozzobon et al.	36/118.9
D341,016	S *	11/1993	Wada et al.	D34/35
D347,920	S *	6/1994	Sell	D34/35
5,325,613	A *	7/1994	Sussmann	36/50.1
5,477,593	A *	12/1995	Leick	24/712.5
5,638,588	A *	6/1997	Jungkind	24/68 SK
6,202,953	B1 *	3/2001	Hammerslag	242/396.1
6,289,558	B1 *	9/2001	Hammerslag	24/68 SK
6,467,134	B1 *	10/2002	Stroud	24/163 R
D484,436	S *	12/2003	Landry	D11/200
D484,437	S *	12/2003	Doyon	D11/200
D508,659	S *	8/2005	Fang	D11/200
D508,871	S *	8/2005	Fang	D11/200

7,367,522	B2 *	5/2008	Chen	242/378.1
D575,673	S *	8/2008	Pontaoe	D11/216
7,513,018	B2 *	4/2009	Koenig et al.	24/68 R
D596,986	S *	7/2009	Gastaldi	D11/216
2005/0279797	A1 *	12/2005	Martin et al.	224/637
2006/0037215	A1 *	2/2006	Lee	36/50.5
2006/0230584	A1 *	10/2006	Pan	24/170
2007/0169378	A1 *	7/2007	Sodeberg et al.	36/50.5
2007/0214611	A1 *	9/2007	Koenig et al.	24/68 R
2008/0083135	A1 *	4/2008	Hammerslag et al.	36/50.5
2008/0173686	A1 *	7/2008	Kennedy	224/600

* cited by examiner

Primary Examiner—Stella M Reid

Assistant Examiner—Mark A Goodwin

(74) *Attorney, Agent, or Firm*—Audrey A. Millemann;
Pamela W. Bertani; Weintraub Censhlea et al.

(57) **CLAIM**

The ornamental design for a radial adjuster mechanism for storage and transport devices, as shown and described.

DESCRIPTION

FIG. 1 is a perspective view of a radial adjuster mechanism for storage and transport devices showing our new design.

FIG. 2 is a front view thereof.

FIG. 3 is a rear view thereof.

FIG. 4 is a left view thereof.

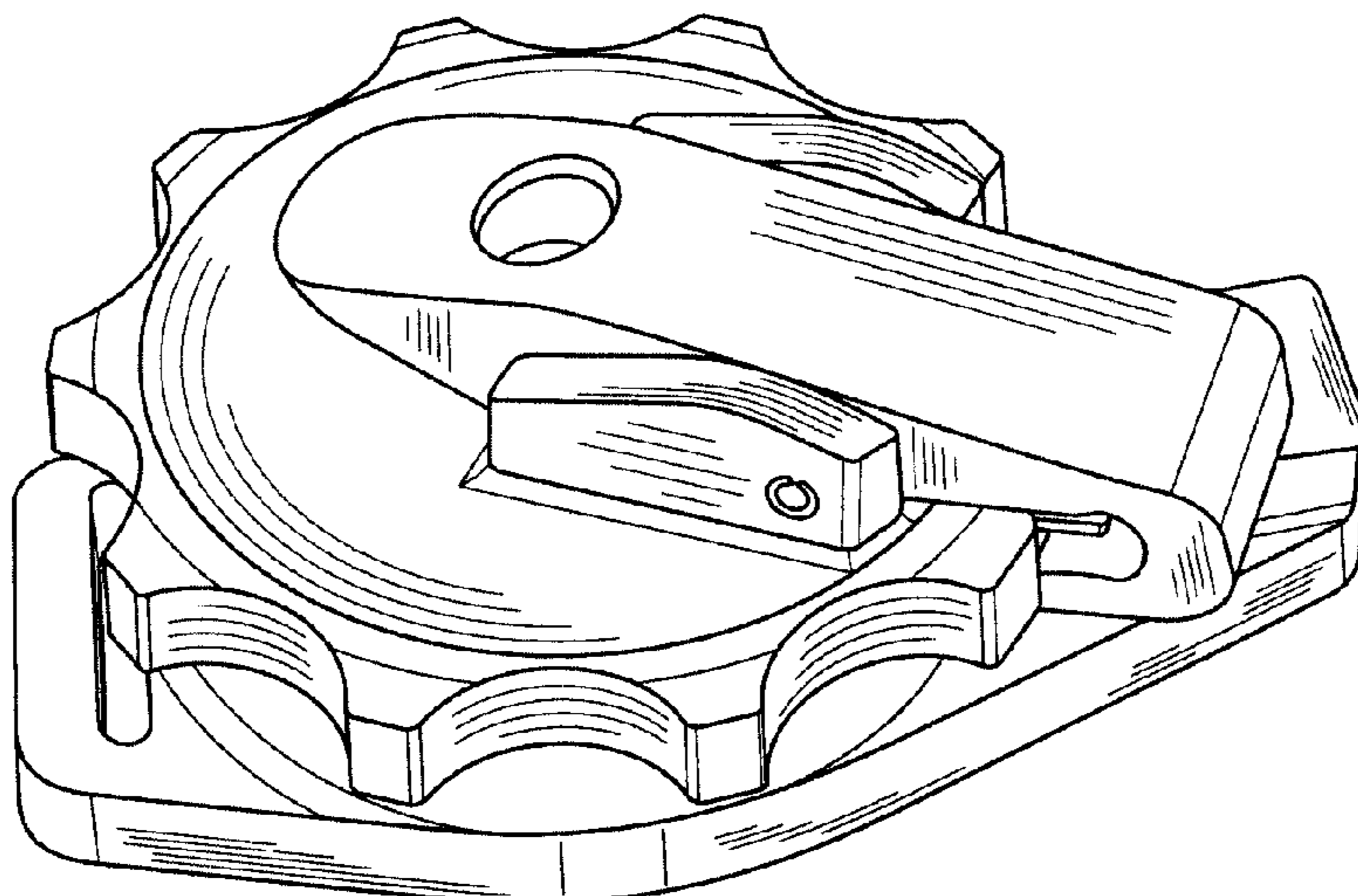
FIG. 5 is a right view thereof.

FIG. 6 is a top view thereof.

FIG. 7 is a bottom view thereof; and,

FIG. 8 is a reduced top perspective view thereof, the broken line showing of straps is included for the purpose of illustrating environmental subject matter and forms no part of the claimed design.

1 Claim, 6 Drawing Sheets



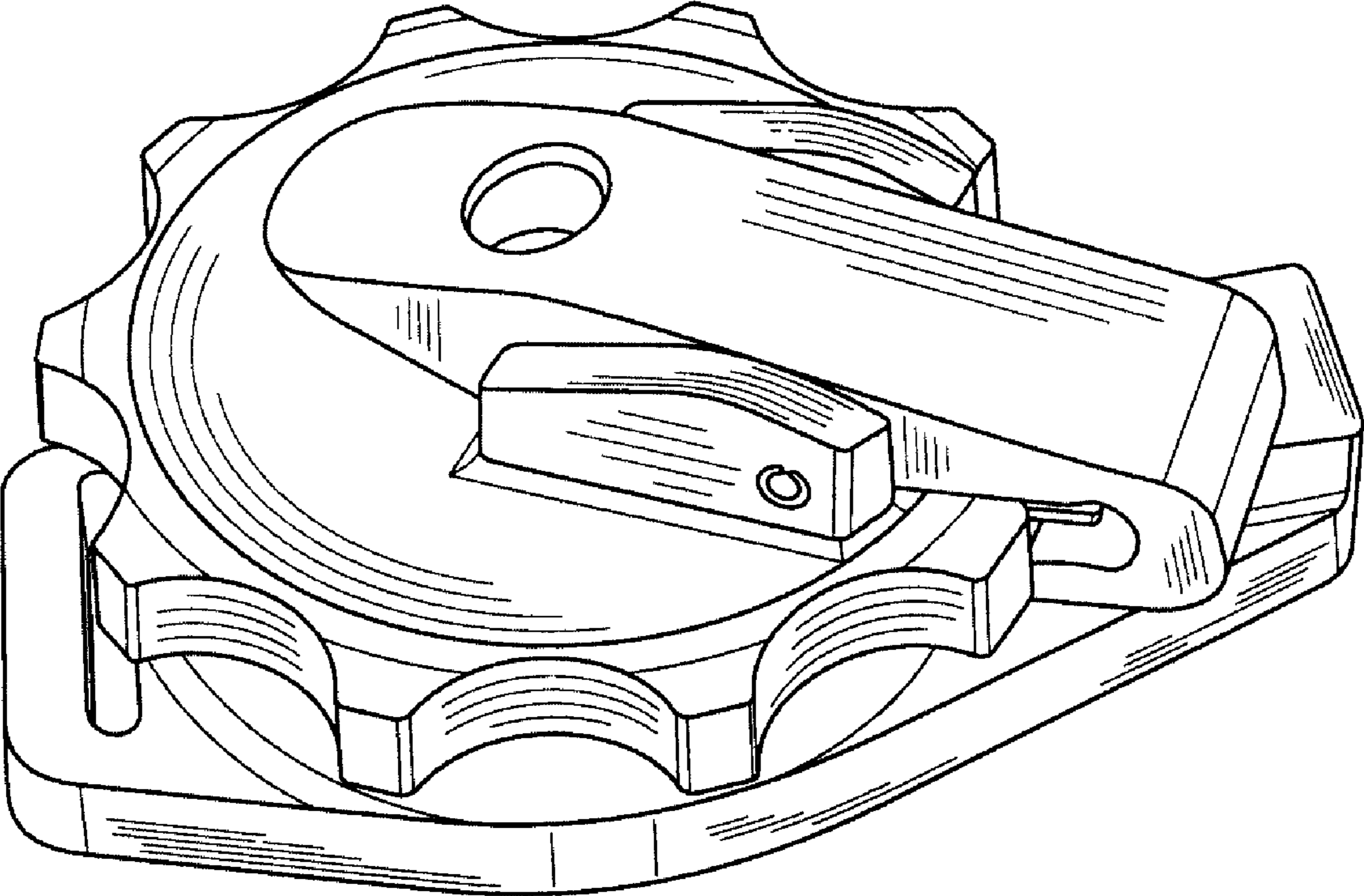


FIG. 1

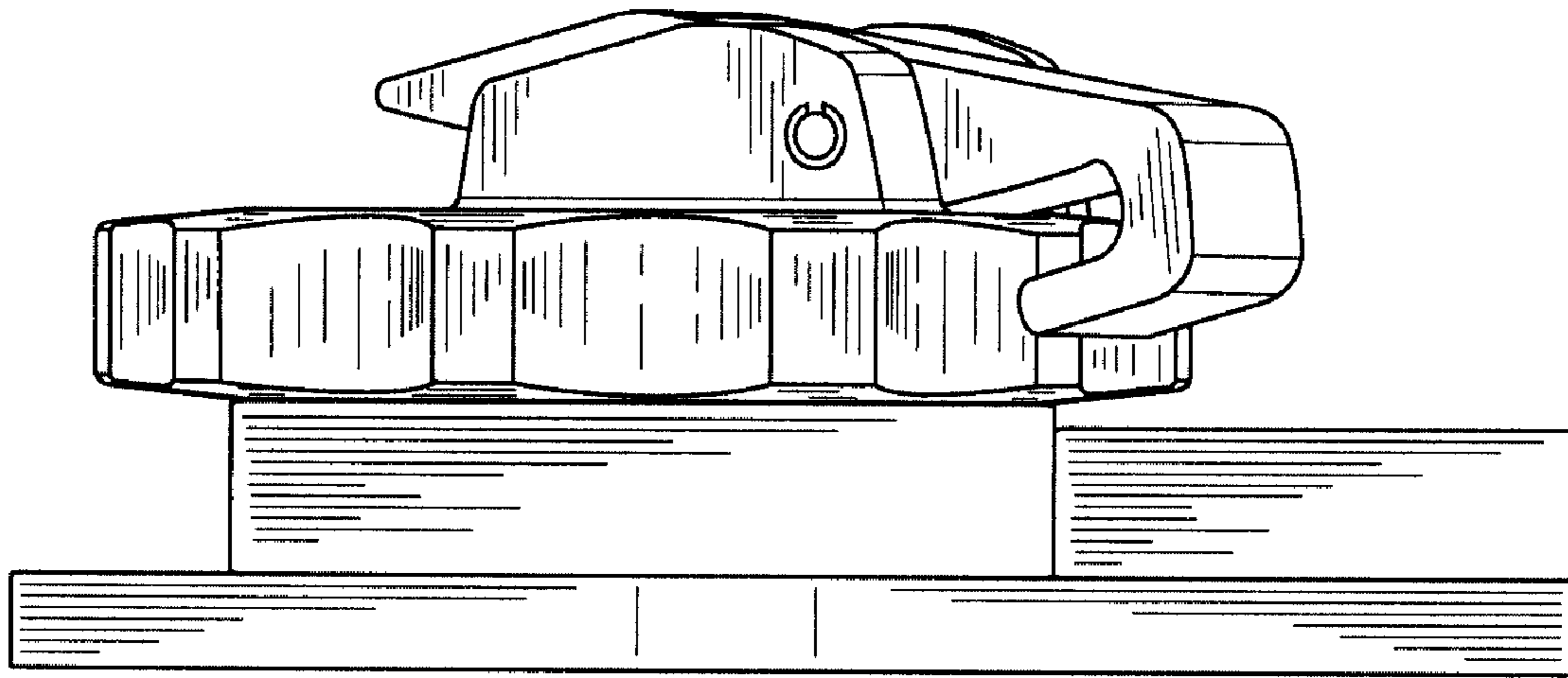


FIG. 2

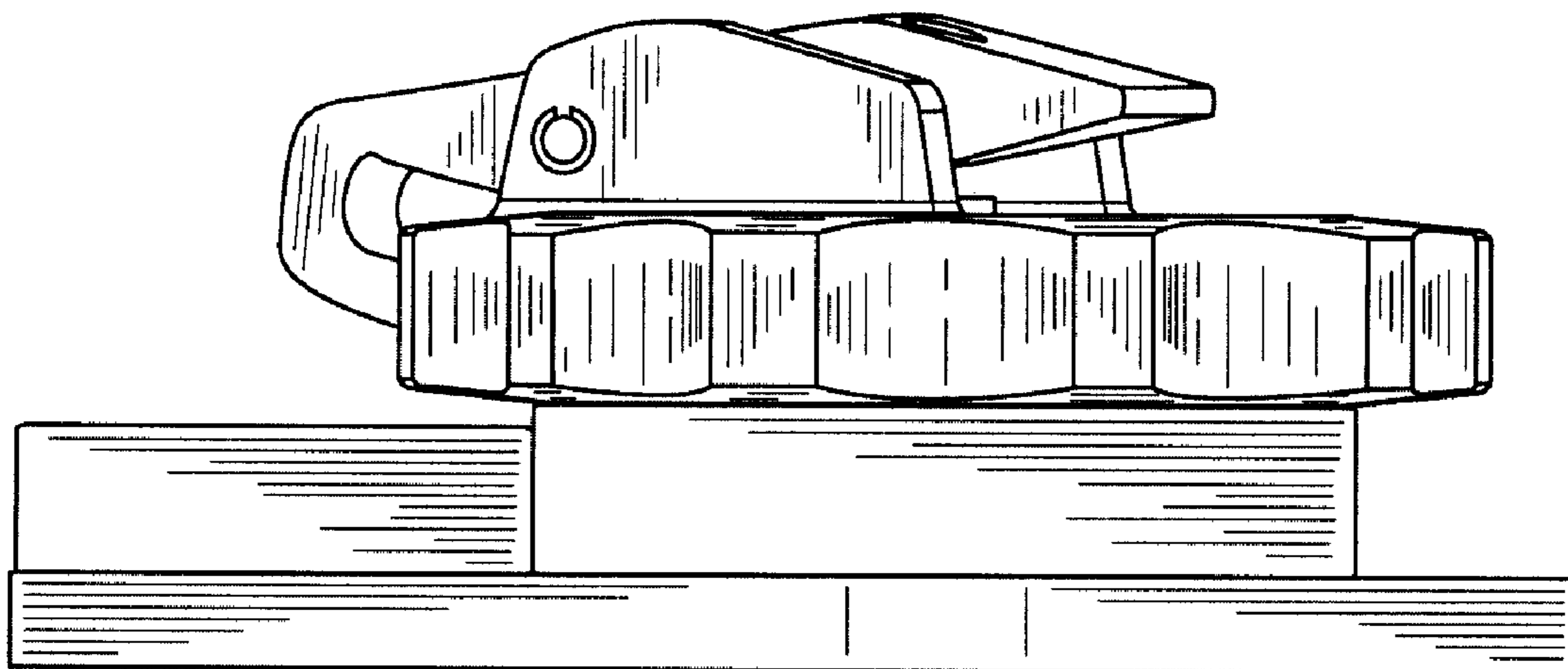


FIG. 3

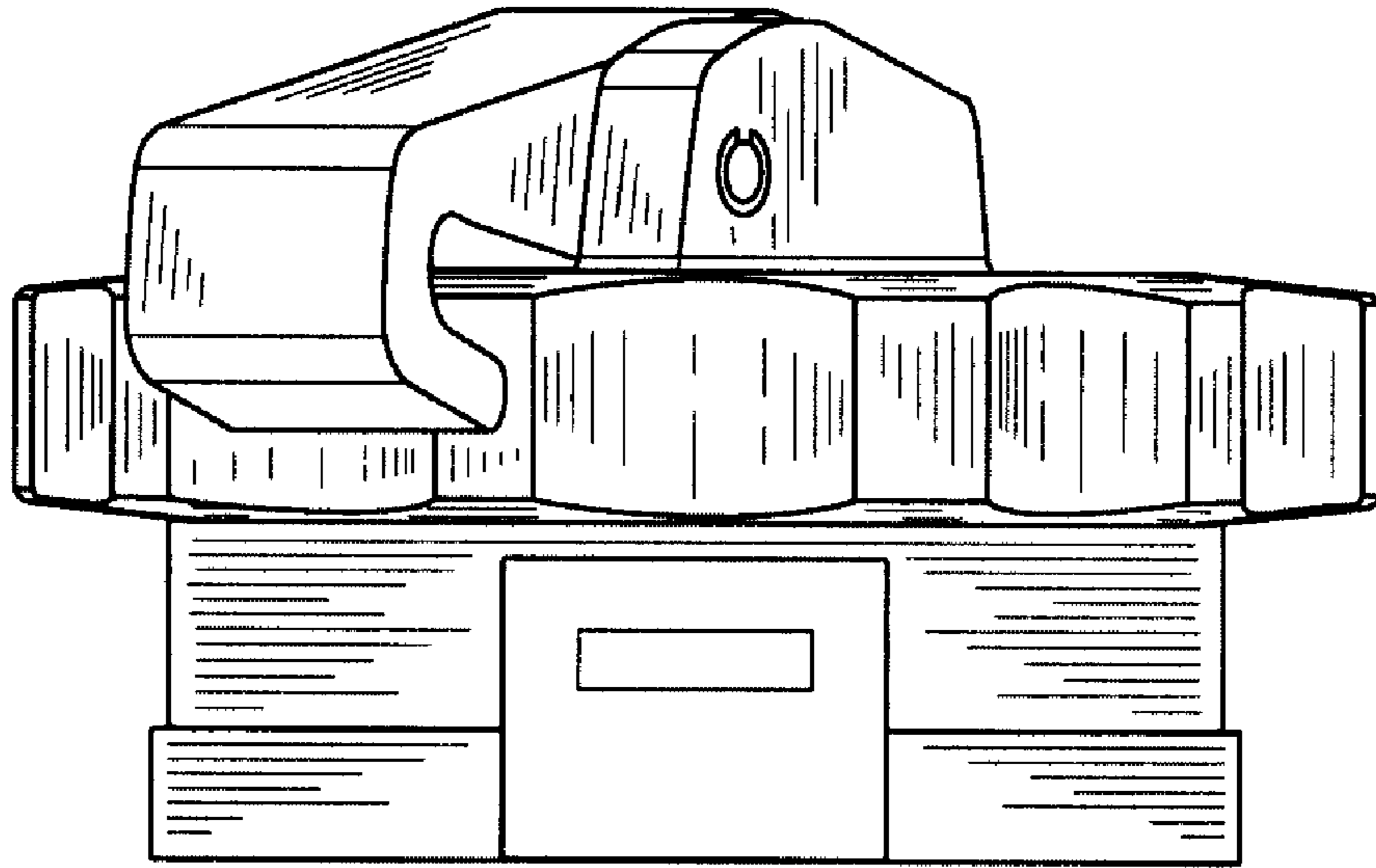


FIG. 4

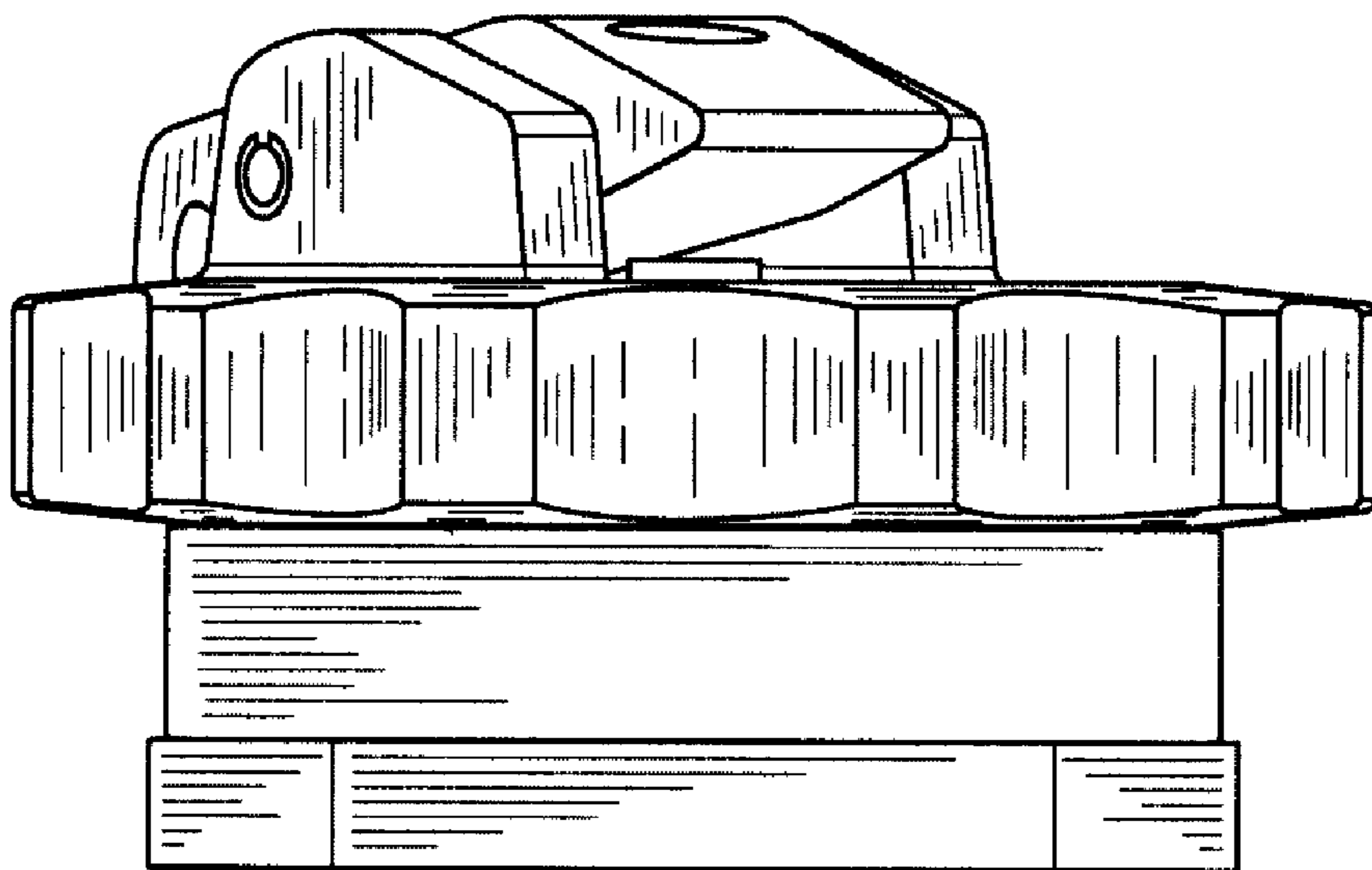


FIG. 5

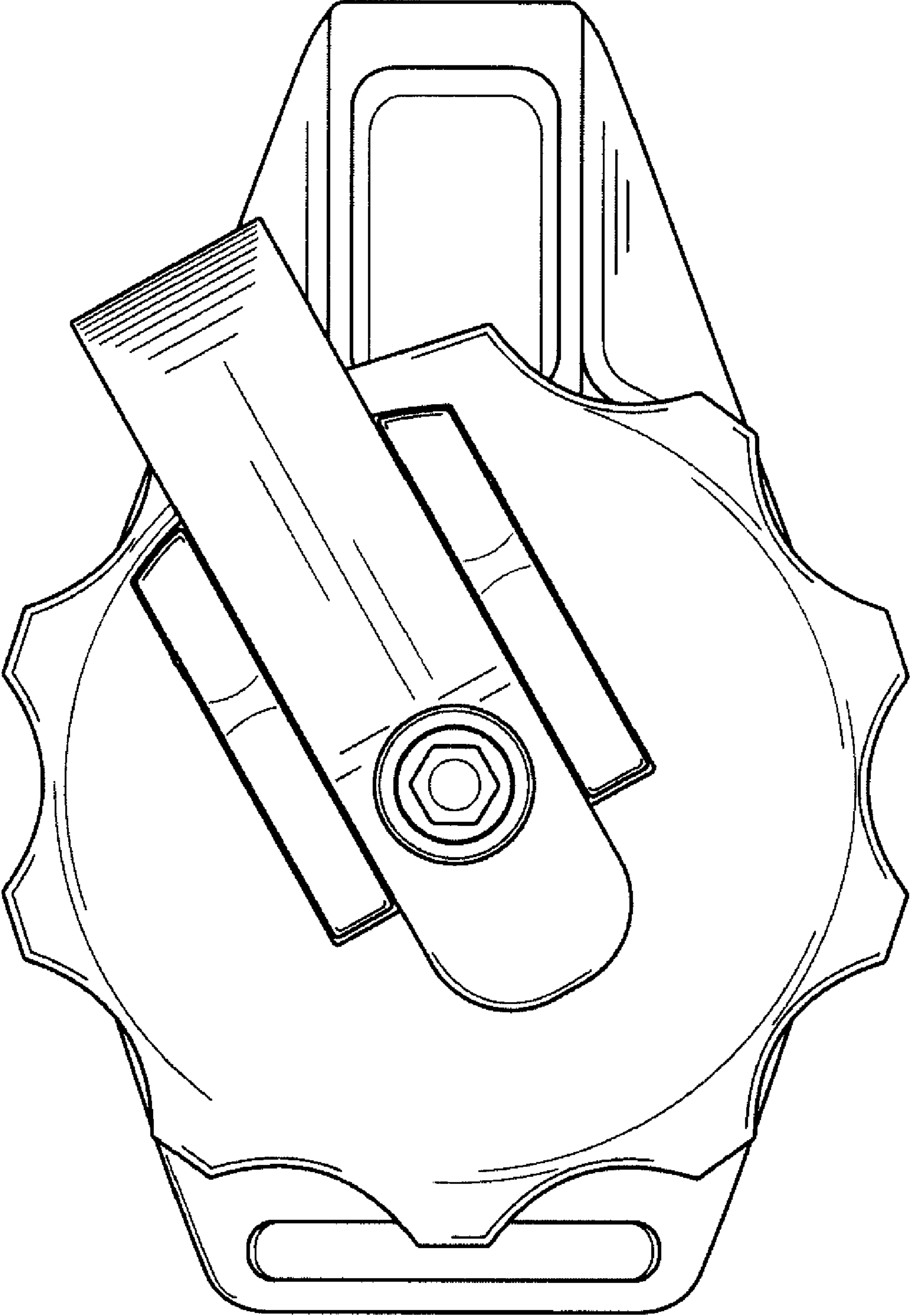


FIG. 6

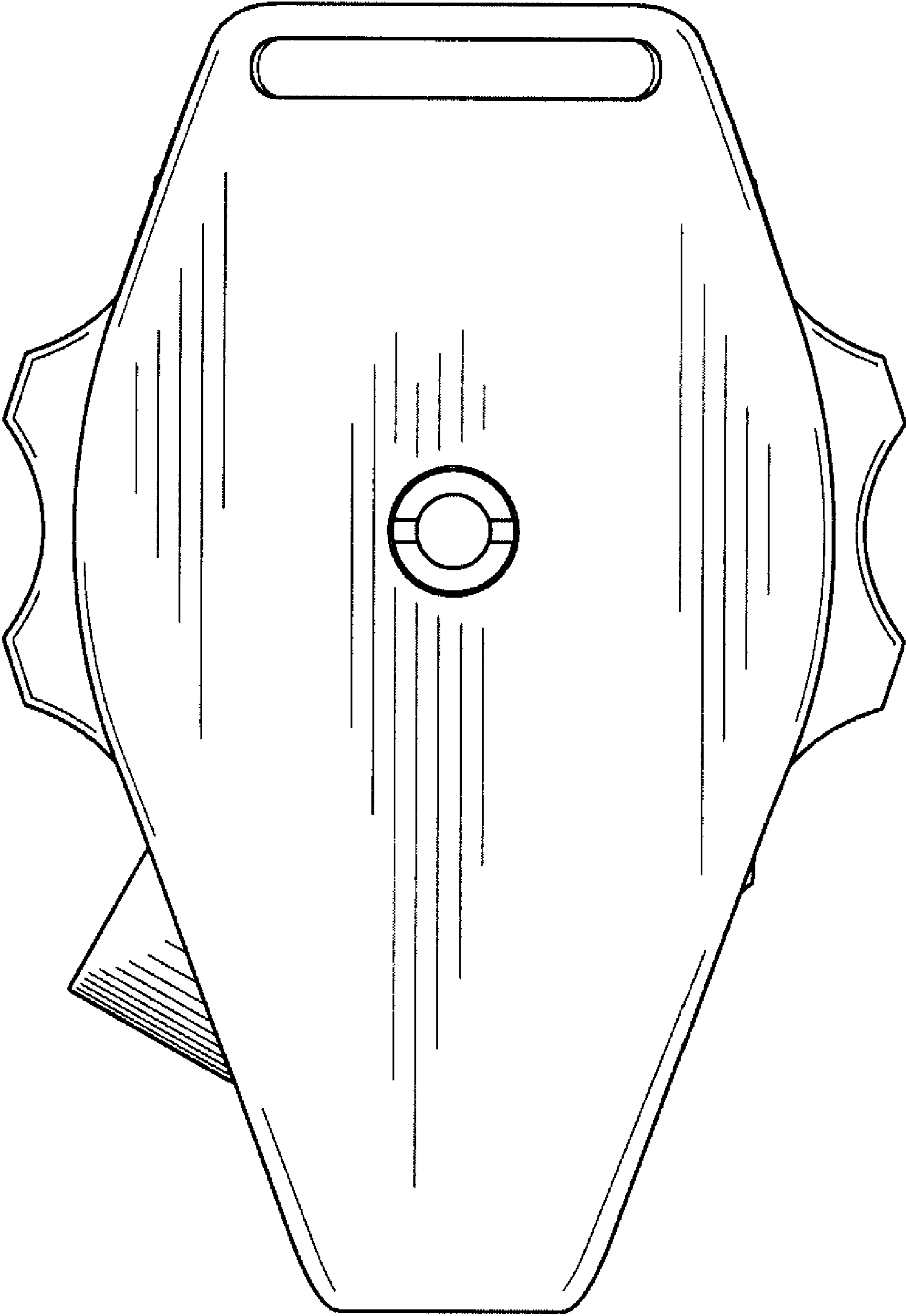


FIG. 7

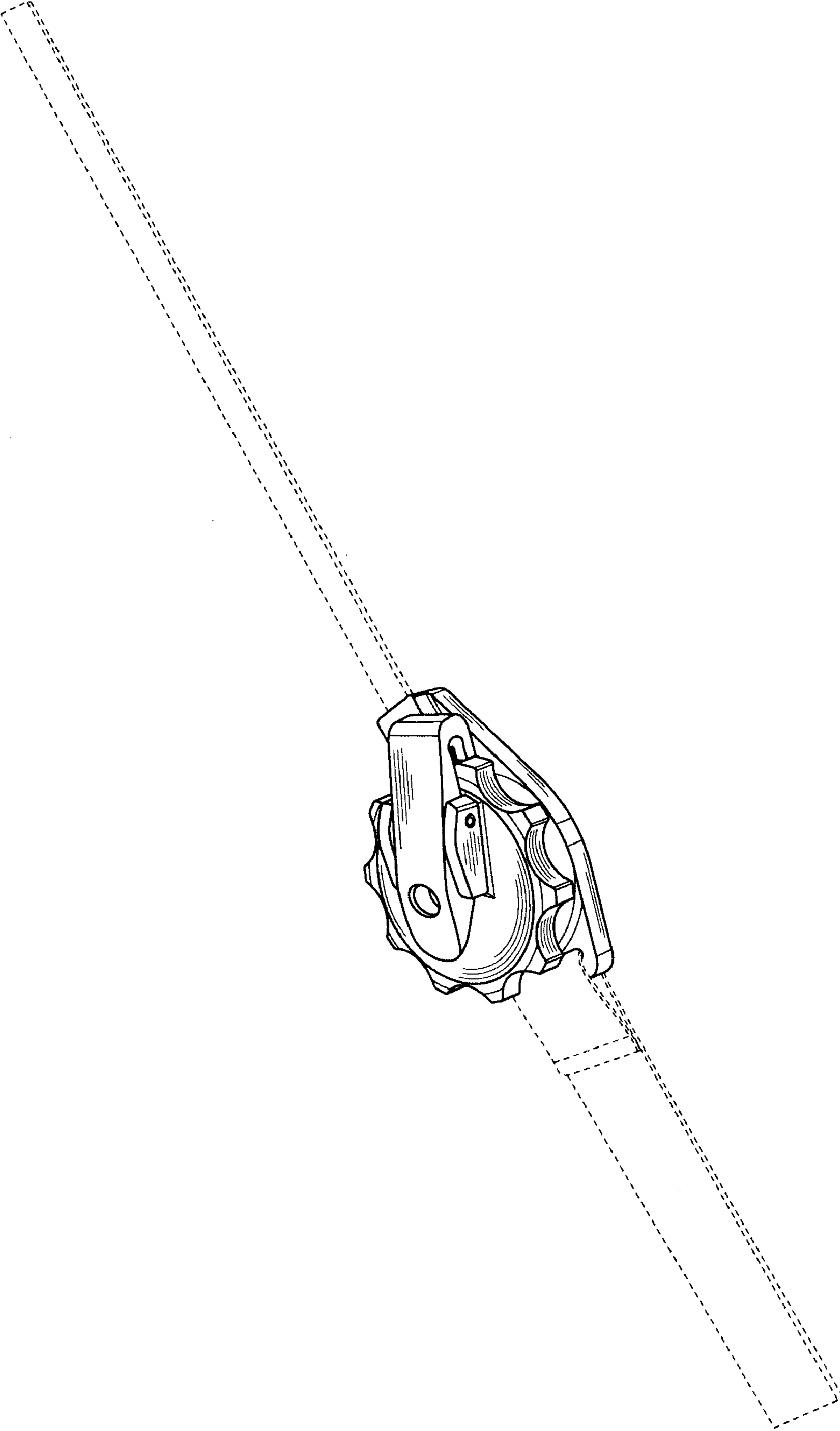


FIG. 8