



US00D607374S

(12) **United States Design Patent**
Durkin

(10) **Patent No.:** **US D607,374 S**
(45) **Date of Patent:** **** Jan. 5, 2010**

(54) **FLAG MOUNTING BRACKET**
(75) Inventor: **Shayle Durkin**, Farmingdale, NJ (US)
(73) Assignee: **Heads Up! Safety, Inc**, Farmingdale, NJ (US)
(**) Term: **14 Years**

5,343,825 A 9/1994 Gazecimeon et al.
D359,924 S * 7/1995 Grumbeck D10/110
5,450,811 A 9/1995 Heiland
5,483,916 A 1/1996 Kolvites et al.
5,590,621 A 1/1997 Sectish
D416,517 S * 11/1999 Goldfarb D11/183
6,427,964 B1 * 8/2002 Hillstrom et al. 248/538
2005/0030745 A1 2/2005 Chen

* cited by examiner

(21) Appl. No.: **29/338,574**
(22) Filed: **Jun. 15, 2009**

Primary Examiner—Cathron C Brooks
Assistant Examiner—Melanie Levy
(74) *Attorney, Agent, or Firm*—Advantia Law Group;
Michael W. Starkweather; Jason P. Webb

(51) **LOC (9) Cl.** **11-05**
(52) **U.S. Cl.** **D11/182**
(58) **Field of Classification Search** D11/167,
D11/168, 172, 180–183; 116/173–175, 28 R;
248/514, 519, 535–539, 521; D8/396, 395;
D20/16, 17, 41, 42, 21, 36
See application file for complete search history.

(57) **CLAIM**

The ornamental design for a flag mounting bracket, as shown and described.

(56) **References Cited**

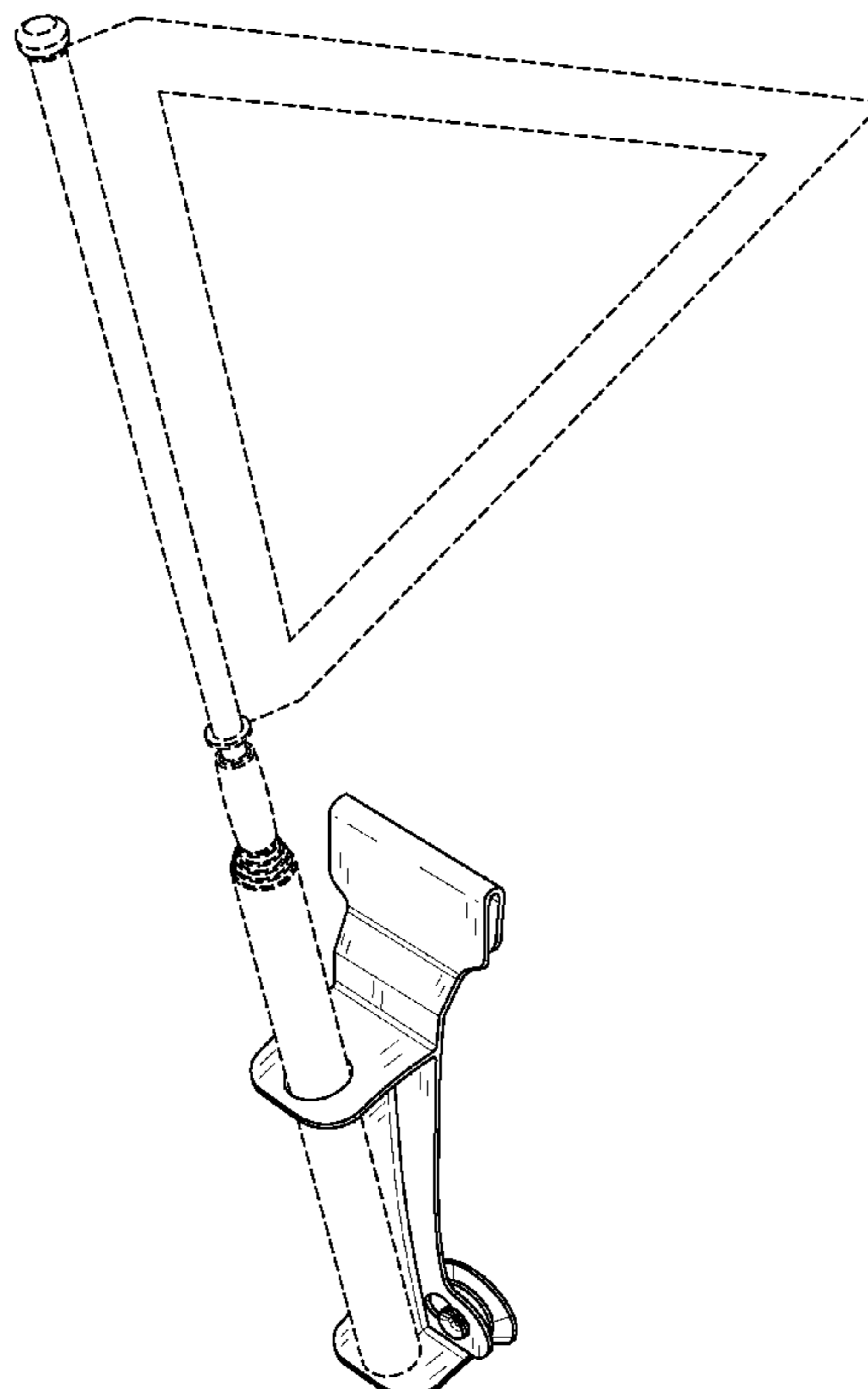
U.S. PATENT DOCUMENTS

2,922,152 A 1/1960 Conte
3,895,348 A 7/1975 Palermo
3,916,377 A 10/1975 Demeter
3,955,786 A 5/1976 Duddy
4,052,697 A 10/1977 Daifates
4,080,924 A 3/1978 LeClaire
4,348,978 A * 9/1982 Brucato 116/28 R
4,633,215 A 12/1986 Anders et al.
4,650,147 A * 3/1987 Griffin 248/539
D293,659 S * 1/1988 Griffin D11/182
5,089,803 A * 2/1992 Bohn 116/173
5,263,272 A 11/1993 Fogelman

DESCRIPTION

FIG. 1 is a perspective view of a flag mounting bracket with flag, showing my new design;
FIG. 2 is a front elevational view of a flag mounting bracket;
FIG. 3 is a back elevational view thereof;
FIG. 4 is a right side elevational view thereof;
FIG. 5 is a left side elevational view thereof;
FIG. 6 is a top plan view thereof; and,
FIG. 7 is a bottom plan view thereof.
The flag in FIG. 1 is shown in broken lines for illustrative purposes only and forms no part of the claimed design.

1 Claim, 7 Drawing Sheets



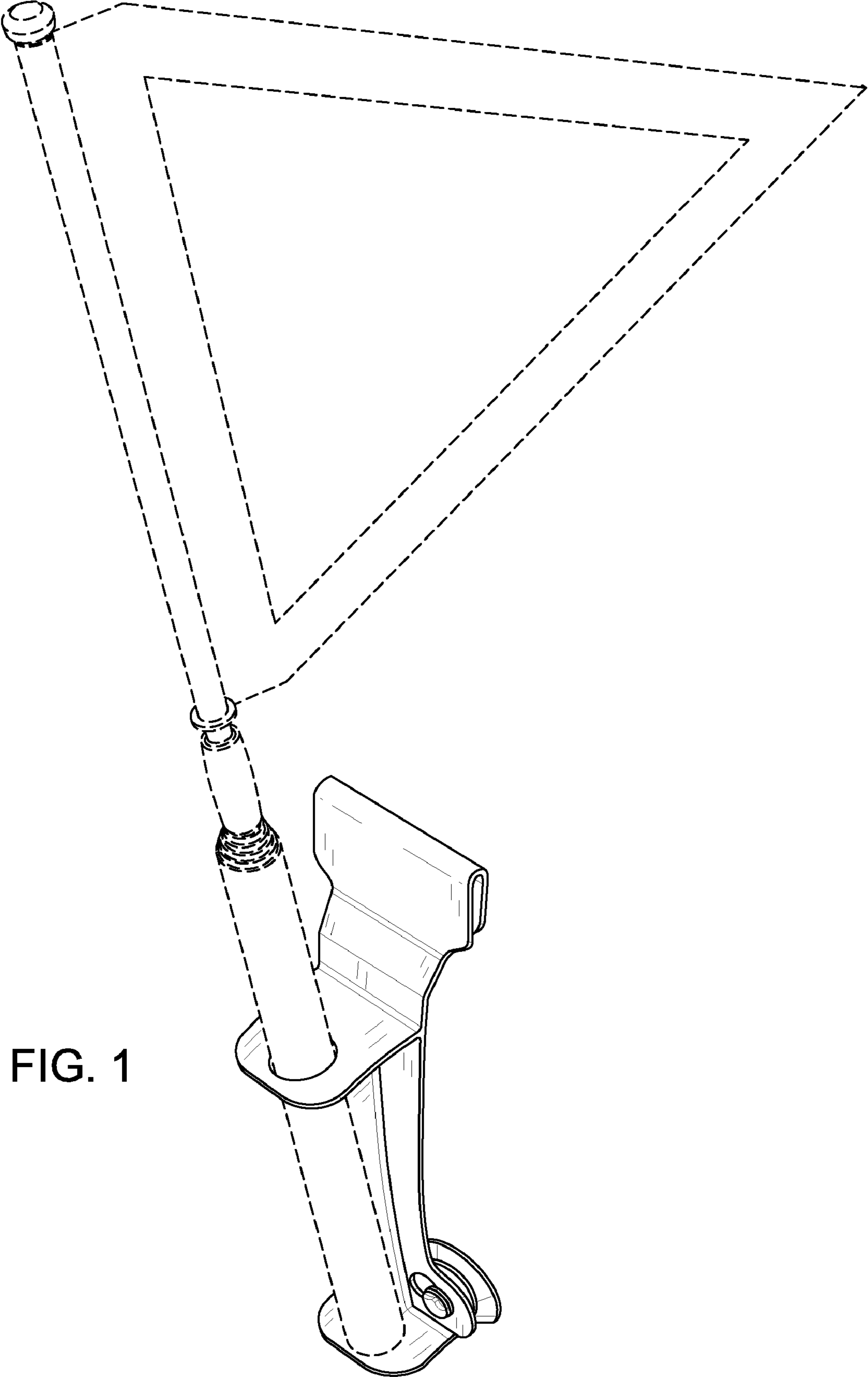


FIG. 1

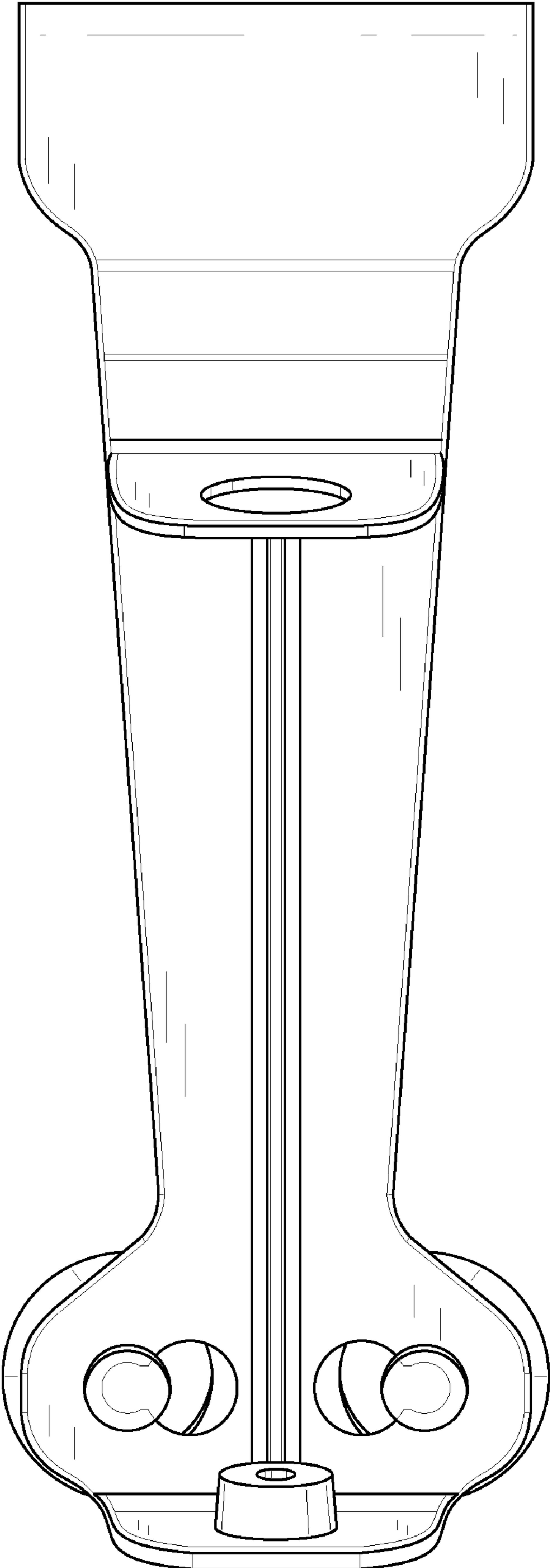


FIG. 2

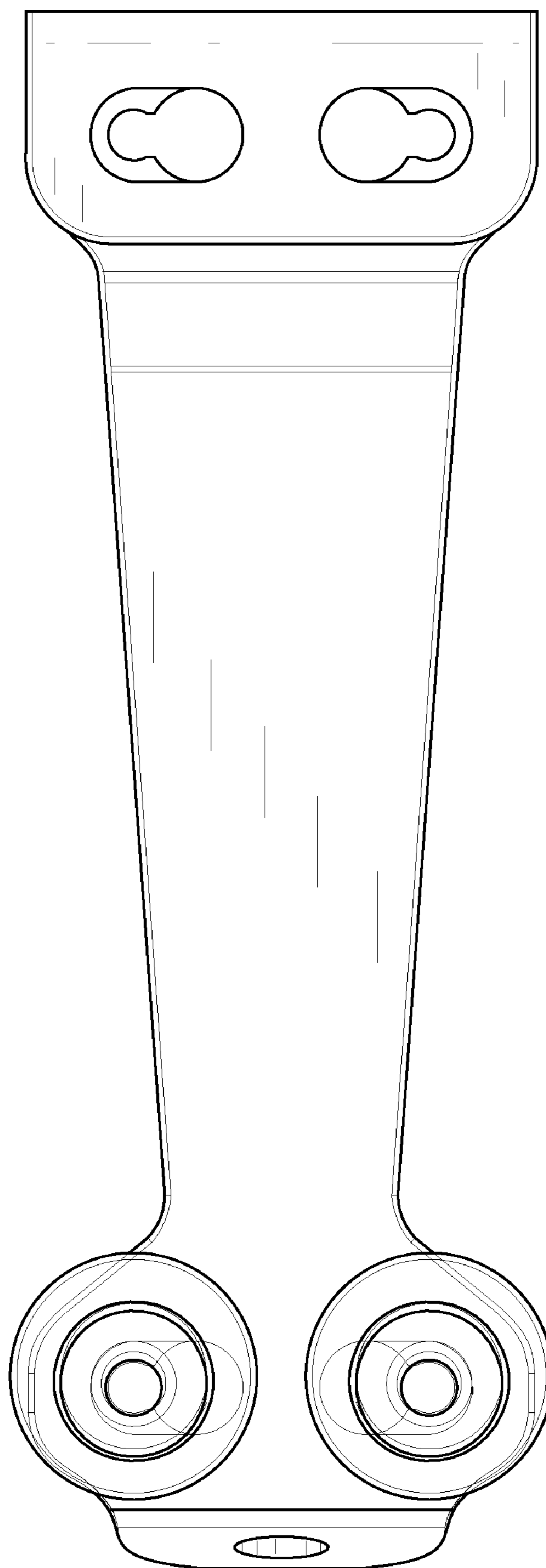


FIG. 3

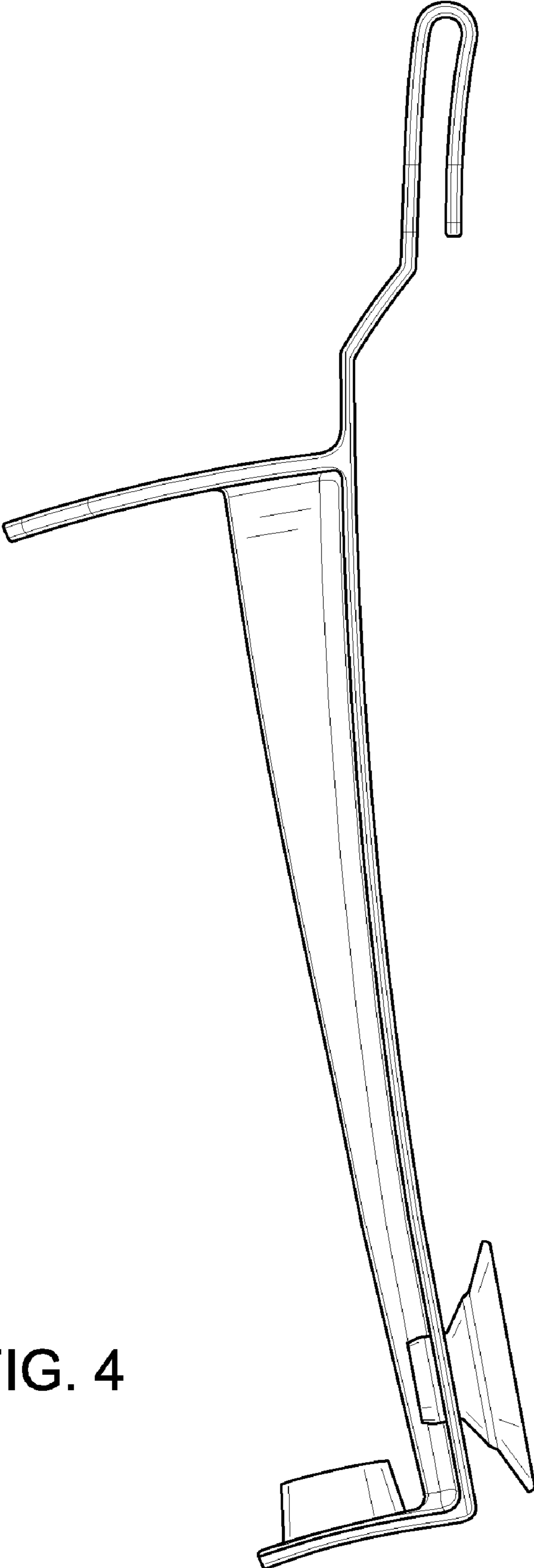


FIG. 4

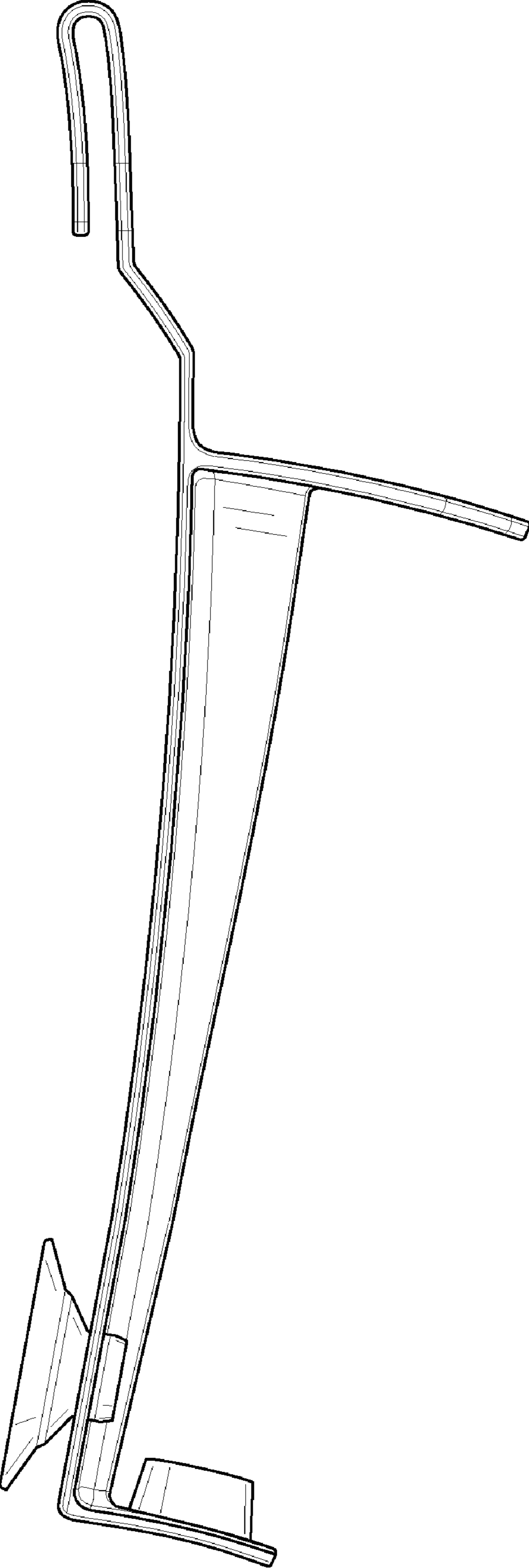


FIG. 5

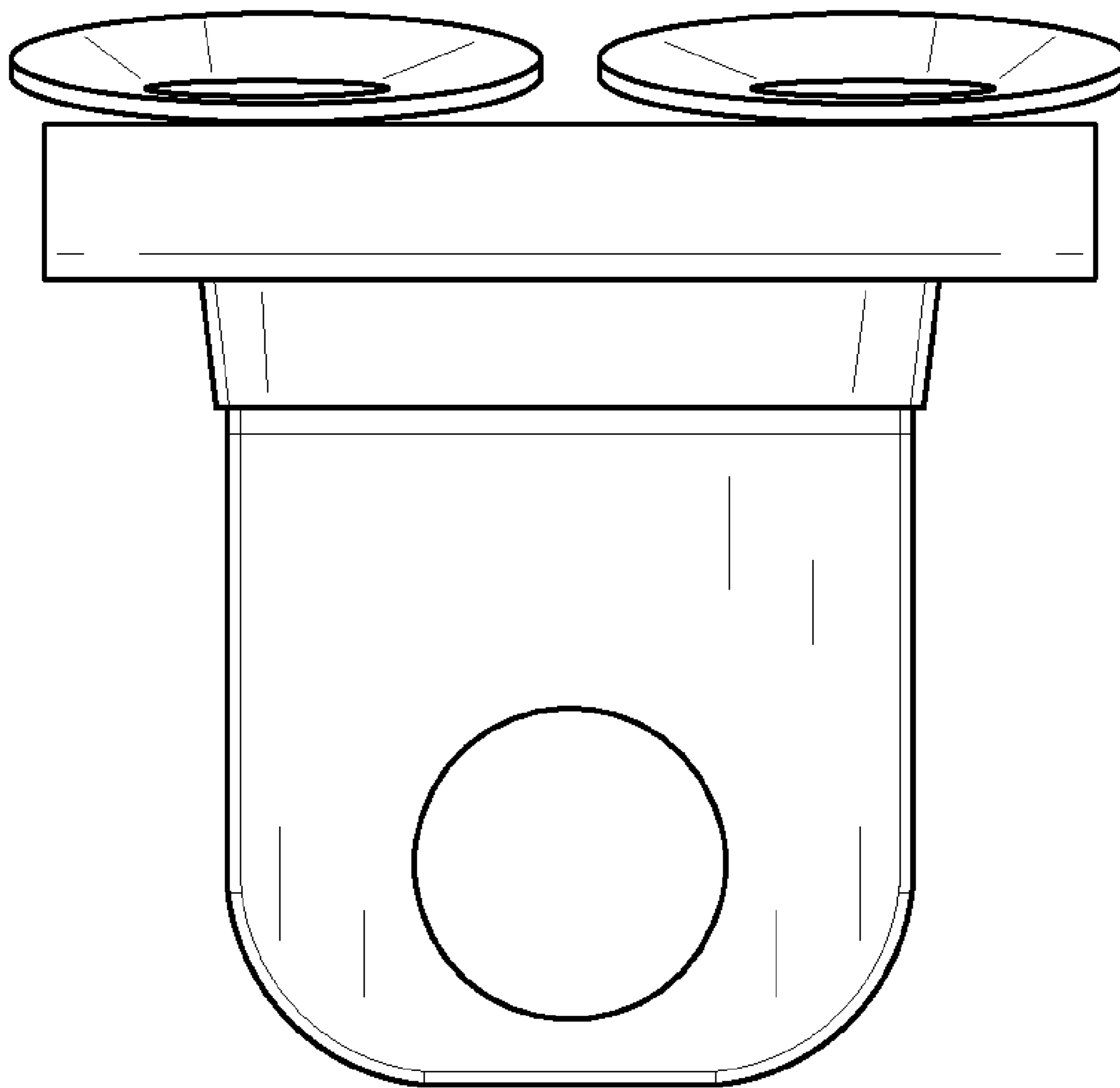


FIG. 6

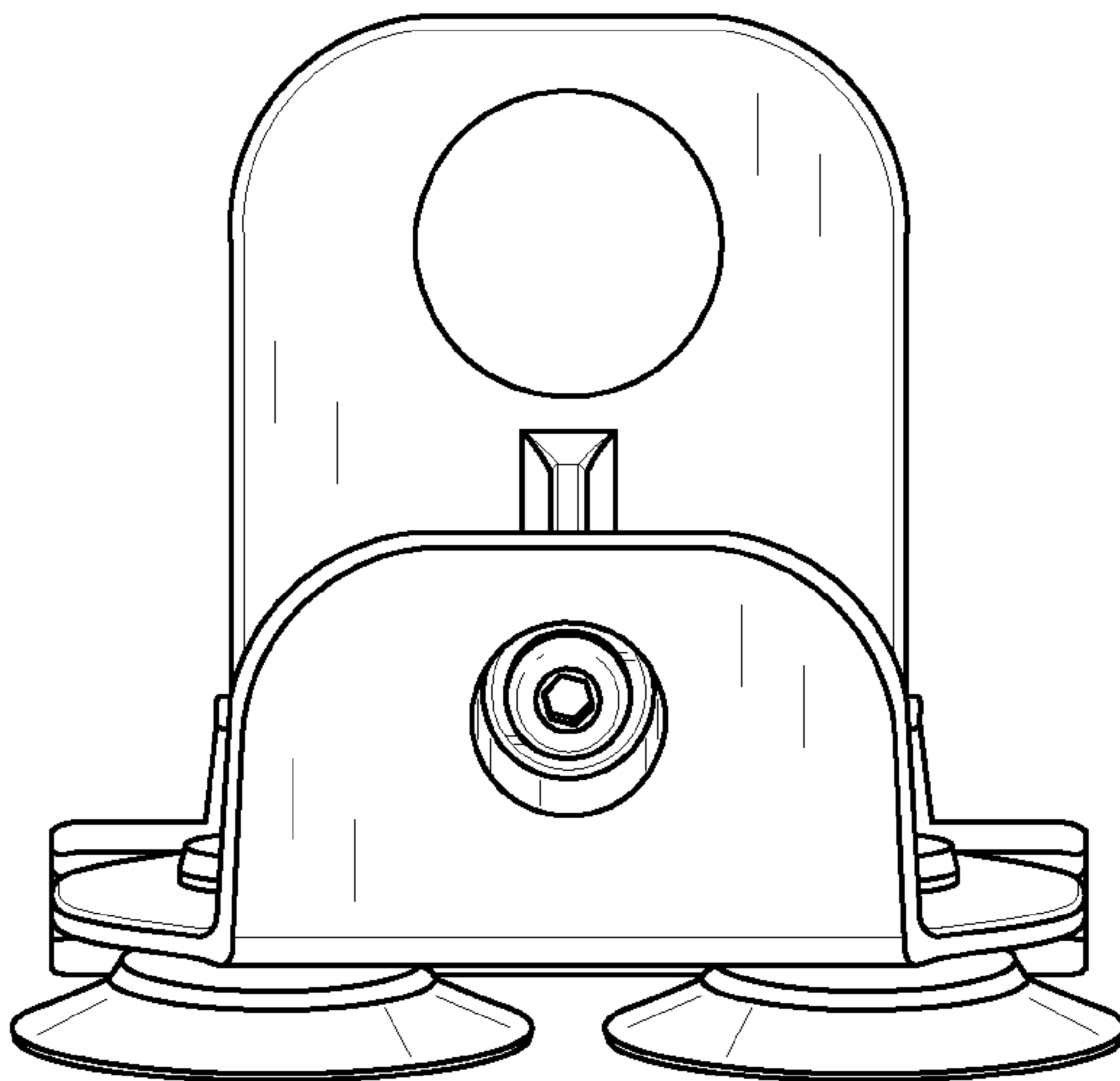


FIG. 7