



US00D607360S

(12) **United States Design Patent**
Arosio

(10) **Patent No.:** **US D607,360 S**
(45) **Date of Patent:** **** Jan. 5, 2010**

(54) **DETERRENT PILLAR WITH LIGHTING UNITS**

(75) Inventor: **Oliviero Arosio**, Lissone (IT)

(73) Assignee: **GLBI.DI. S.r.l.**, Poggio Husco (IT)

(**) Term: **14 Years**

(21) Appl. No.: **29/309,289**

(22) Filed: **Jul. 21, 2008**

(30) **Foreign Application Priority Data**

Feb. 5, 2008 (EM) 000872726

(51) **LOC (9) Cl.** **10-05**

(52) **U.S. Cl.** **D10/114; D26/51**

(58) **Field of Classification Search** D26/37,
D26/38, 46, 40, 42, 43, 51, 62; 362/157,
362/158, 184, 194-196, 200-208, 253; D10/113-115,
D10/70, 73

See application file for complete search history.

(56) **References Cited**

U.S. PATENT DOCUMENTS

D389,420	S	*	1/1998	Campman	D10/114
D390,985	S	*	2/1998	Shiau	D26/43
D399,158	S	*	10/1998	Truax	D10/113
D403,091	S	*	12/1998	McCalla	D26/38
D432,689	S	*	10/2000	Yuen	D26/38
D437,433	S	*	2/2001	Kim	D26/38
D485,004	S	*	1/2004	Olson	D26/104
D536,812	S	*	2/2007	Bayat et al.	D26/37

D562,715	S	*	2/2008	Treloar	D10/114
D574,741	S	*	8/2008	Gadsden	D10/114
D575,183	S	*	8/2008	Seitz	D10/111
7,431,483	B1	*	10/2008	Lee	362/423
D581,304	S	*	11/2008	Phillips	D10/109
2003/0007347	A1	*	1/2003	Huang et al.	362/205
2007/0230176	A1	*	10/2007	Blazick	362/253
2008/0266845	A1	*	10/2008	Wu et al.	362/157

* cited by examiner

Primary Examiner—Charles A Rademaker

Assistant Examiner—Carissa C Fitts

(74) *Attorney, Agent, or Firm*—Modiano & Associati; Albert Josif; Daniel J. O’Byrne

(57) **CLAIM**

The ornamental design for a “deterrent pillar with lighting units,” as shown and described.

DESCRIPTION

FIG. 1 is a perspective view of a deterrent pillar with lighting units, showing my new design;

FIG. 2 is a side view thereof;

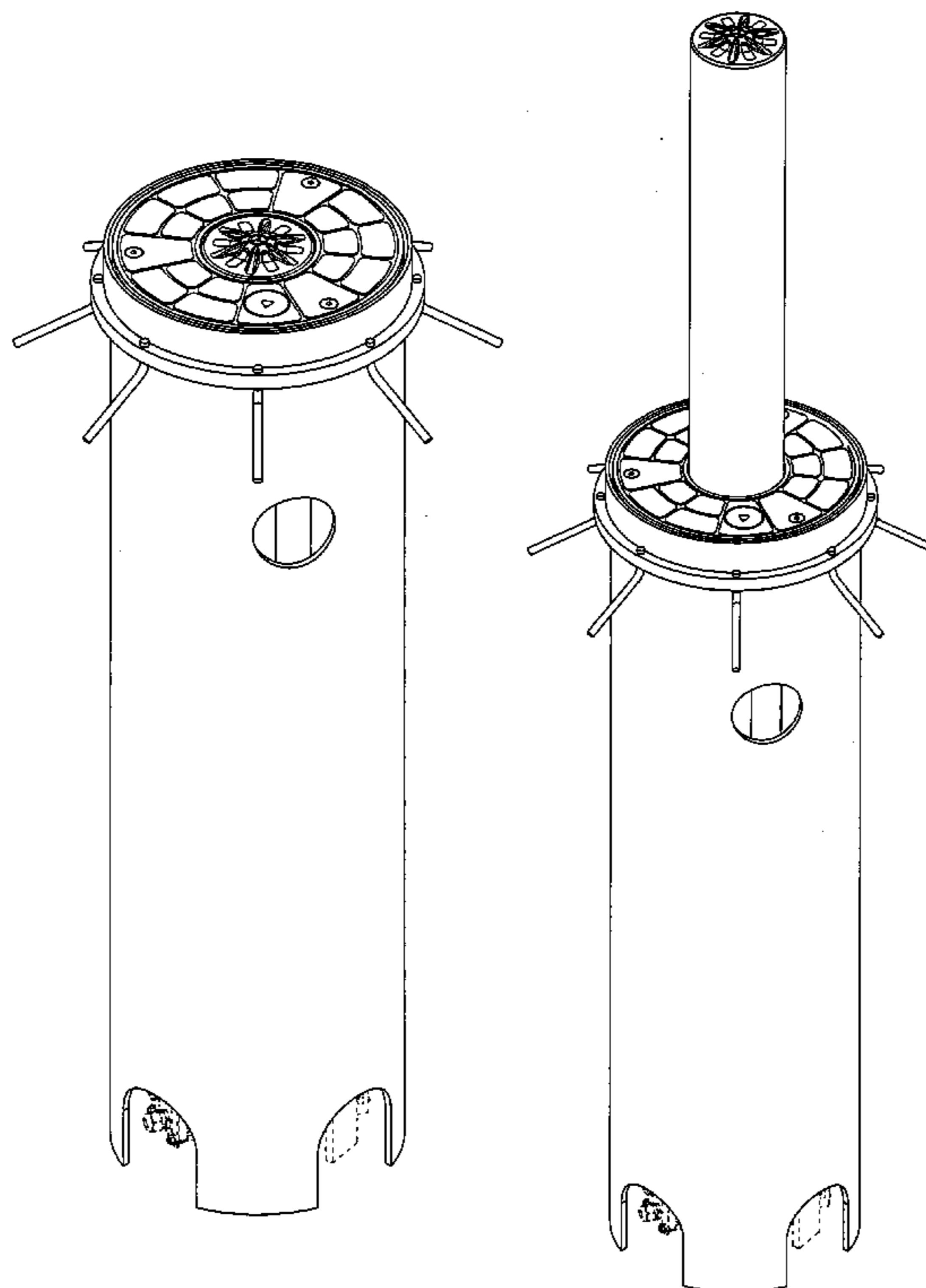
FIG. 3 is a top view thereof;

FIG. 4 is a perspective view thereof in the operating configuration; and,

FIG. 5 is a side view thereof in the operating configuration.

The broken line showing is for illustrative purposes only and forms no part of the claimed design.

1 Claim, 5 Drawing Sheets



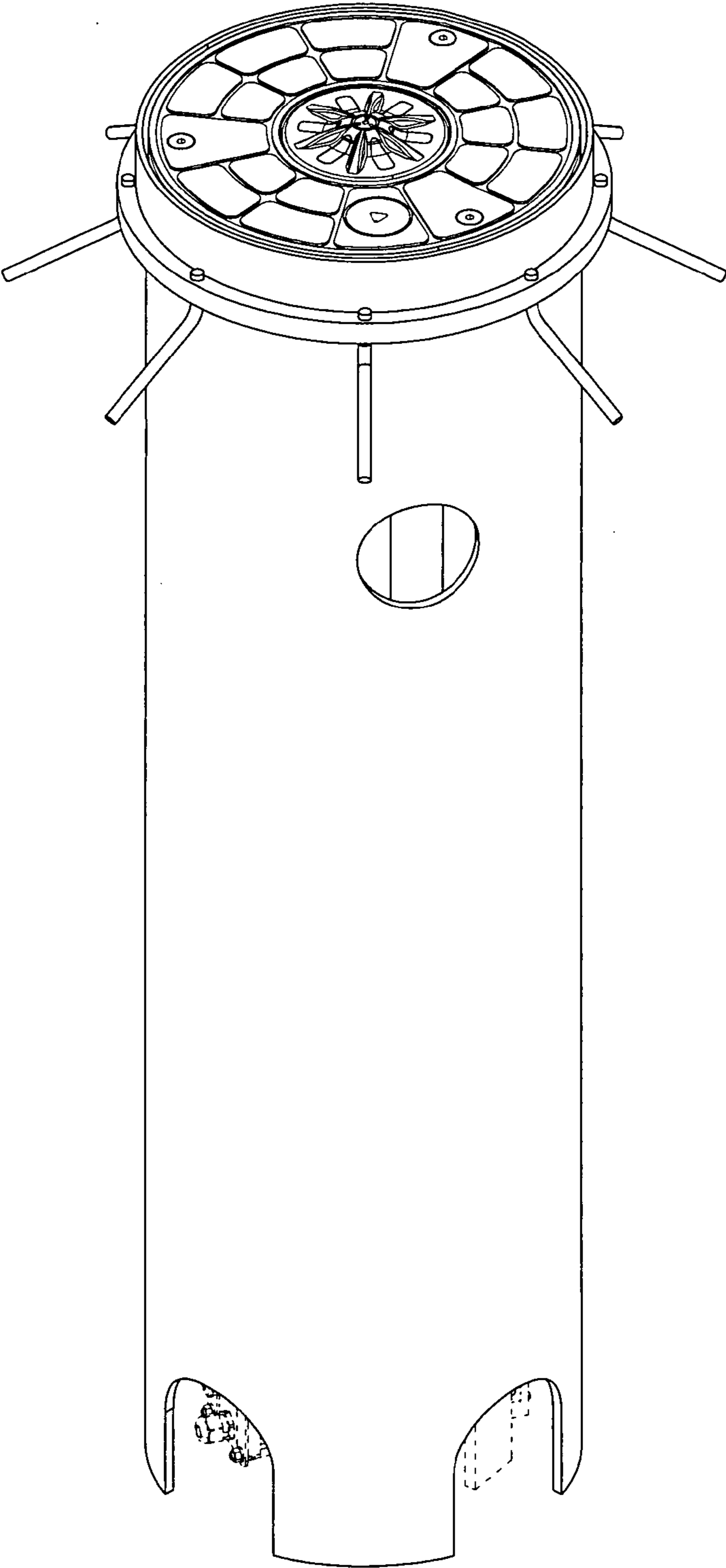


Fig. 1

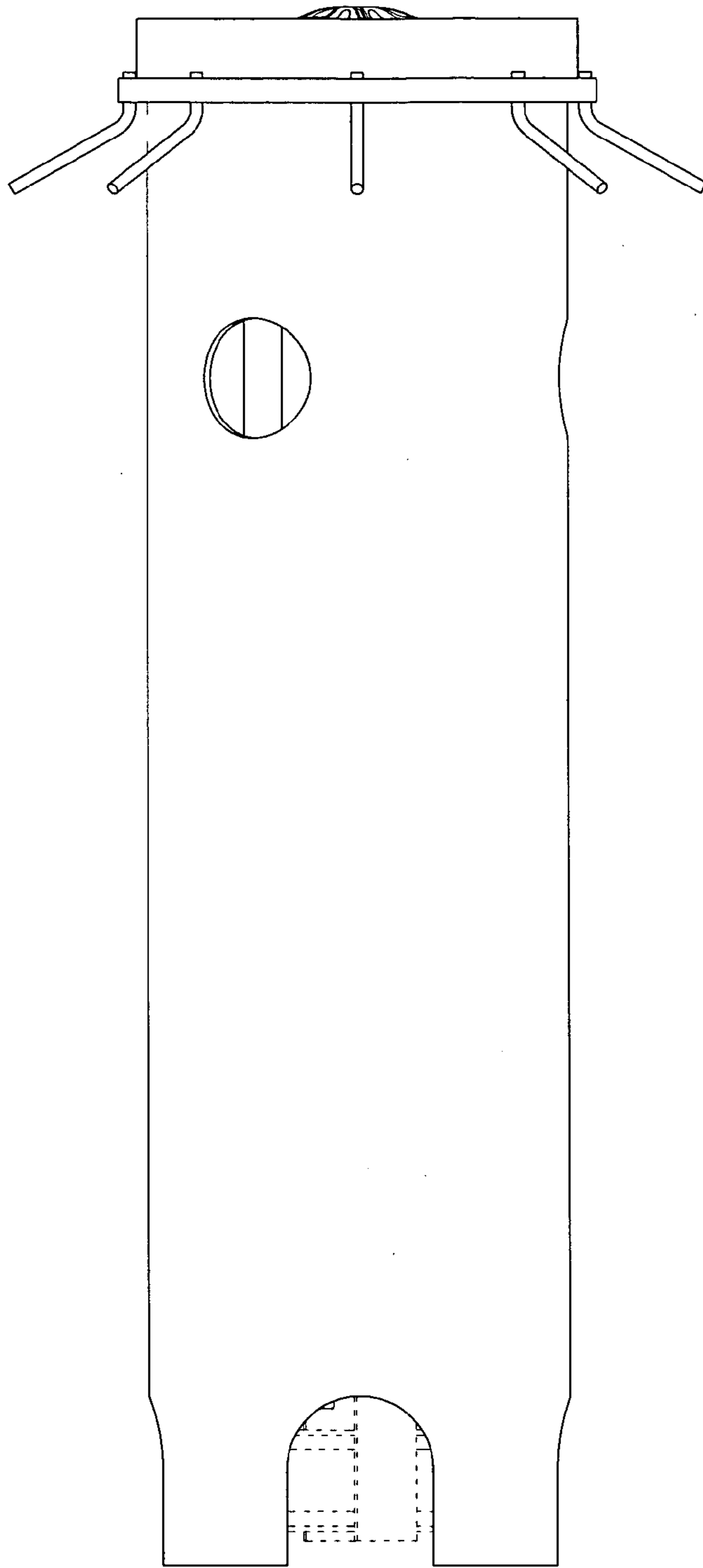


Fig. 2

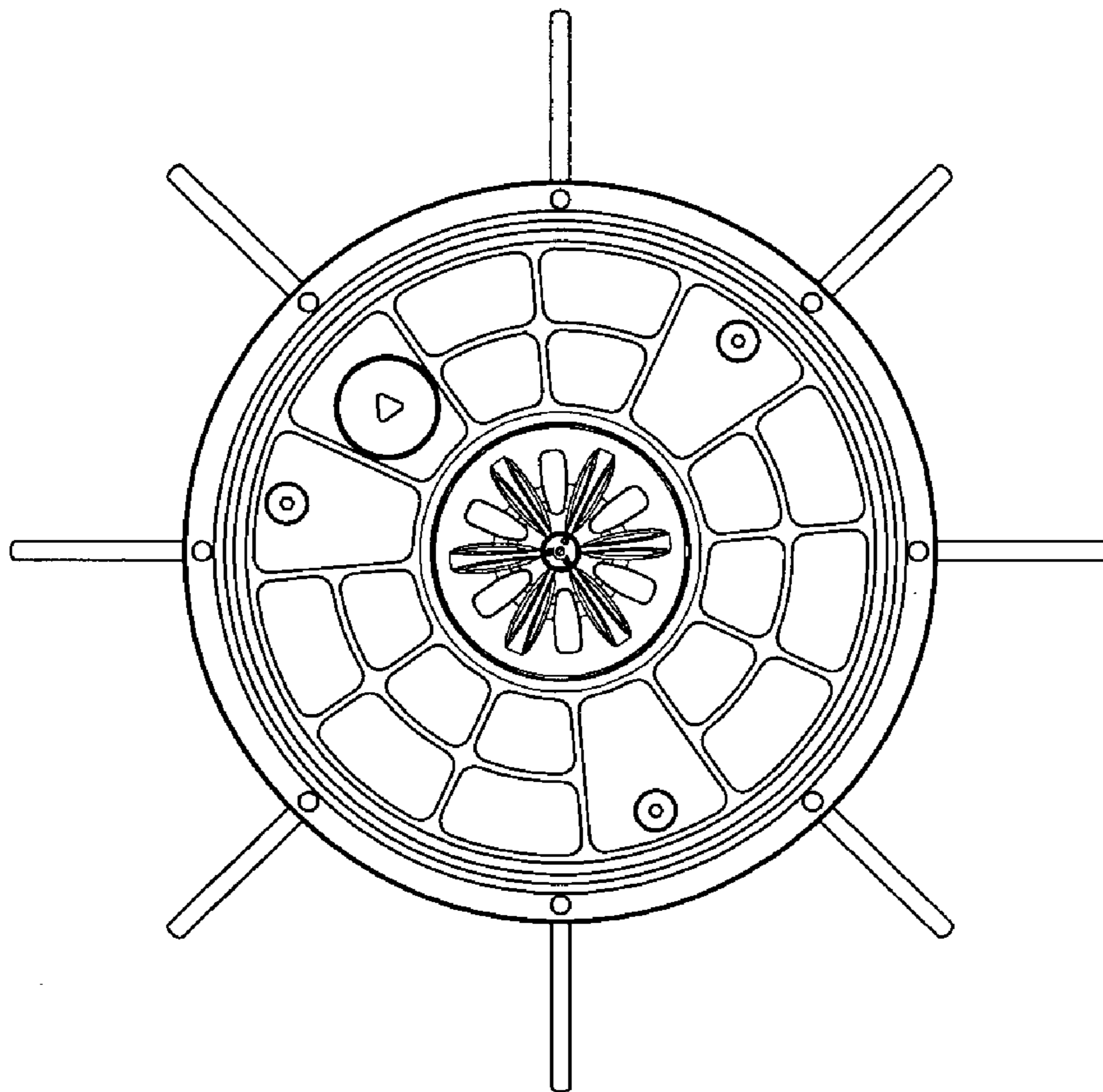


Fig. 3

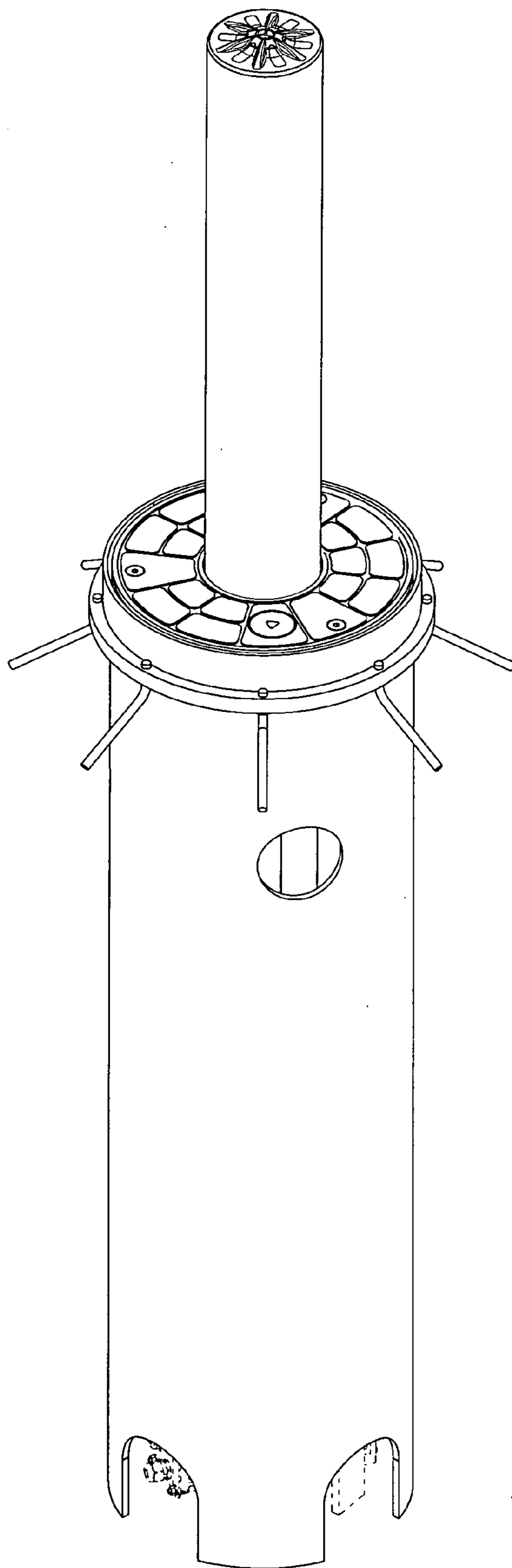


Fig. 4

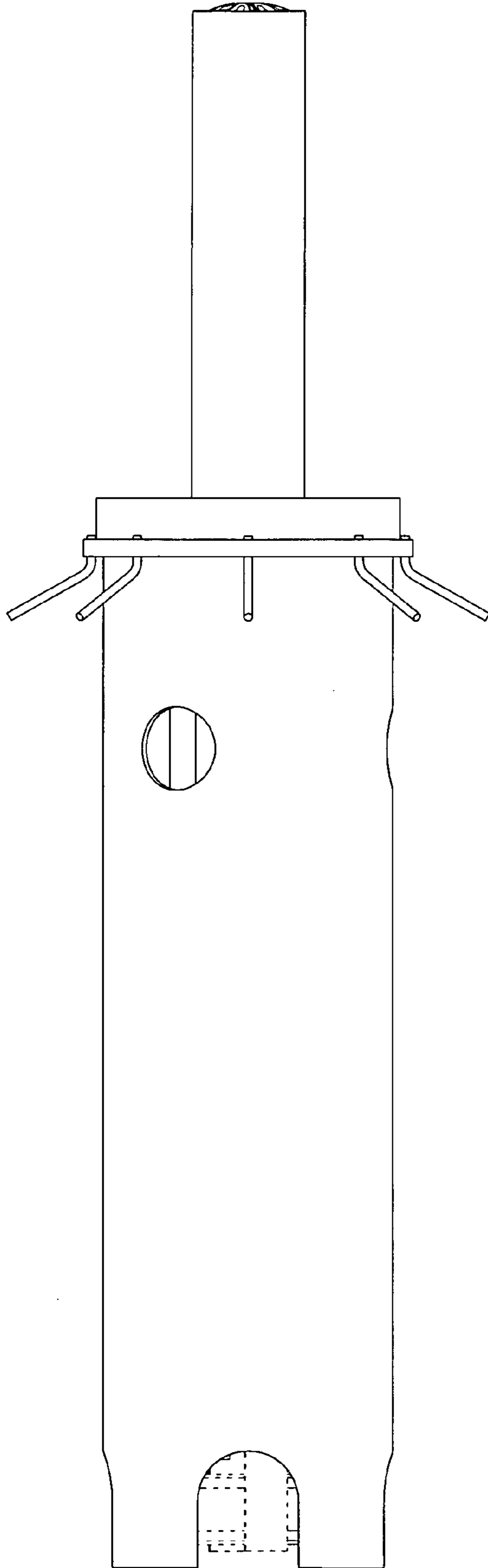


Fig. 5