



US00D607358S

(12) **United States Design Patent**
Mammoto et al.

(10) **Patent No.:** **US D607,358 S**
(45) **Date of Patent:** **** Jan. 5, 2010**

(54) **FIRE DETECTOR**

(75) Inventors: **Atsushi Mammoto**, Tokyo (JP);
Hiromichi Ebata, Tokyo (JP)

(73) Assignee: **Hochiki Corporation**, Tokyo (JP)

(**) Term: **14 Years**

(21) Appl. No.: **29/311,526**

(22) Filed: **Apr. 13, 2009**

(30) **Foreign Application Priority Data**

Oct. 15, 2008 (JP) 2008-026499

(51) **LOC (9) Cl.** **10-05**

(52) **U.S. Cl.** **D10/106**

(58) **Field of Classification Search** D10/104,
D10/106; 340/521, 540, 541, 542, 543, 544,
340/545, 555, 556, 558, 571, 572, 573; 392/423;
134/21; 362/276; 428/192

See application file for complete search history.

(56) **References Cited**

U.S. PATENT DOCUMENTS

D388,351 S * 12/1997 Repp et al. D10/106
D391,184 S * 2/1998 Kawabata D10/106
D426,482 S * 6/2000 Sakurai et al. D10/106

D446,741 S * 8/2001 Johnson et al. D10/106

* cited by examiner

Primary Examiner—Caron Veynar

Assistant Examiner—George D Kirschbaum

(74) *Attorney, Agent, or Firm*—Jean C. Edwards, Esq.;
Akerman Senterfitt

(57) **CLAIM**

The ornamental design for a fire detector, as shown and described.

DESCRIPTION

FIG. 1 is a perspective view of the front, bottom and right side of a fire detector showing our new design;

FIG. 2 is a front view thereof;

FIG. 3 is a rear view thereof;

FIG. 4 is a top plan view thereof;

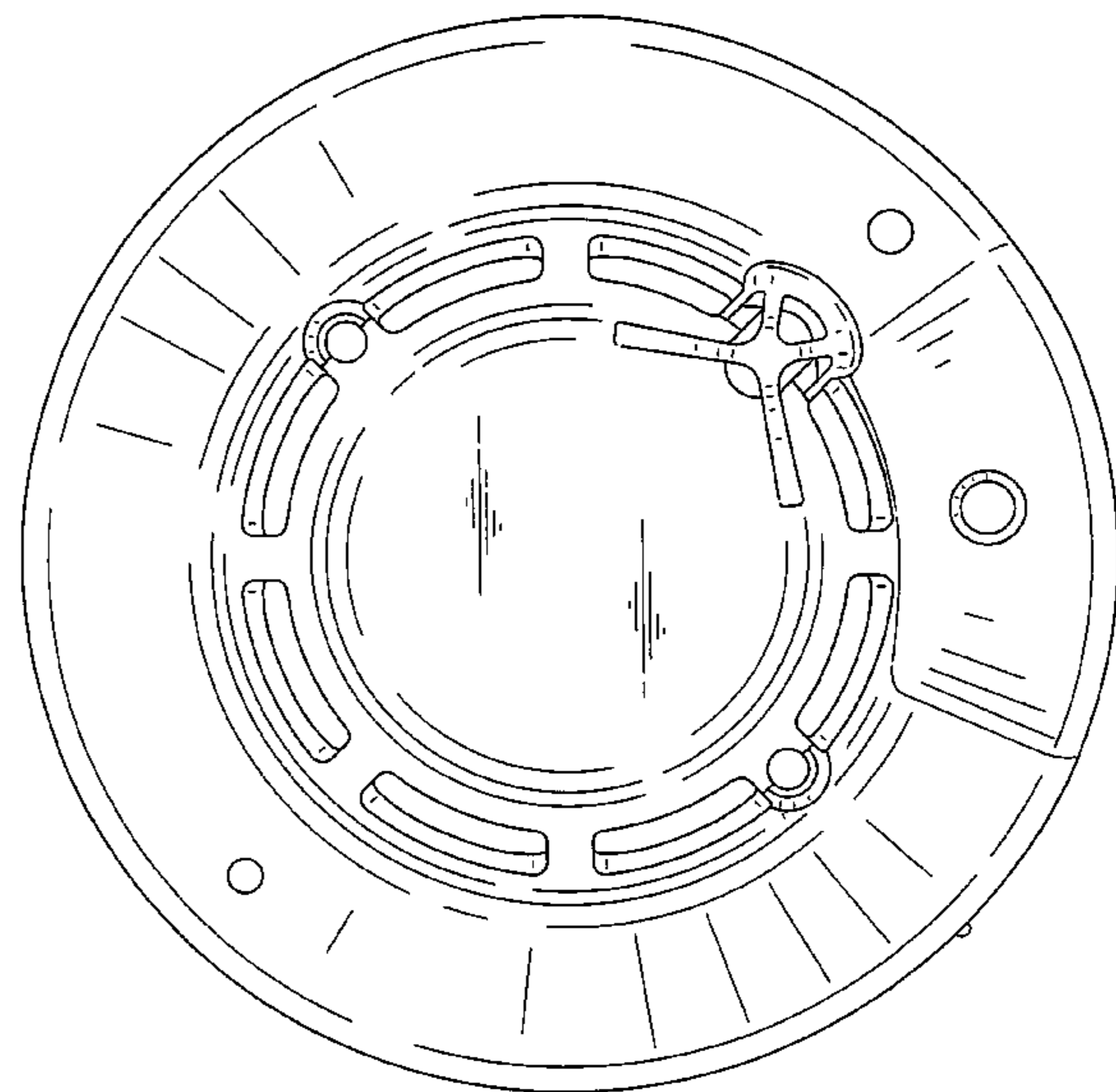
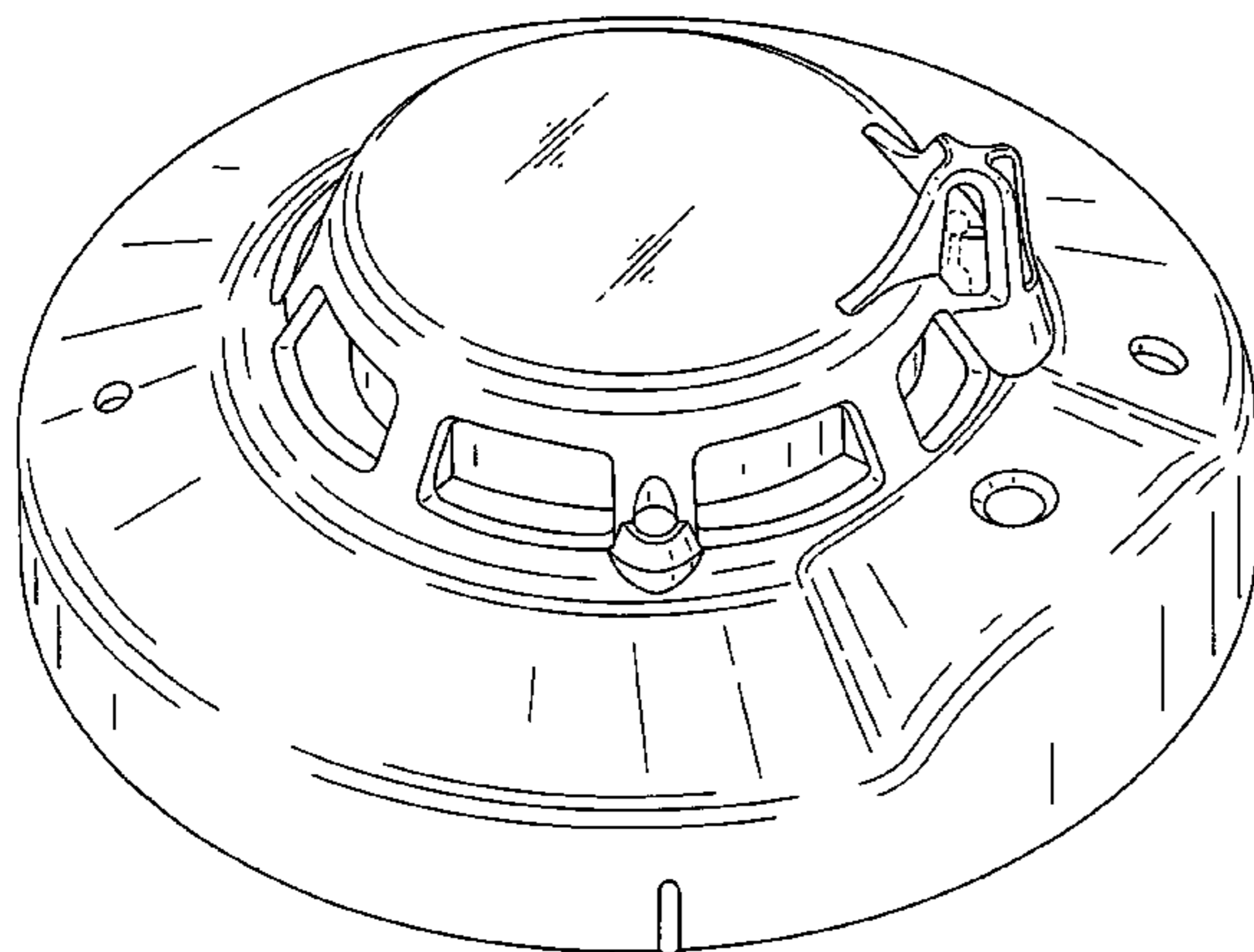
FIG. 5 is a bottom view thereof;

FIG. 6 is a left side view thereof; and,

FIG. 7 is a right side view thereof.

The portions of the article in broken lines are shown for illustrative purposes only and form no part of the claimed design.

1 Claim, 6 Drawing Sheets



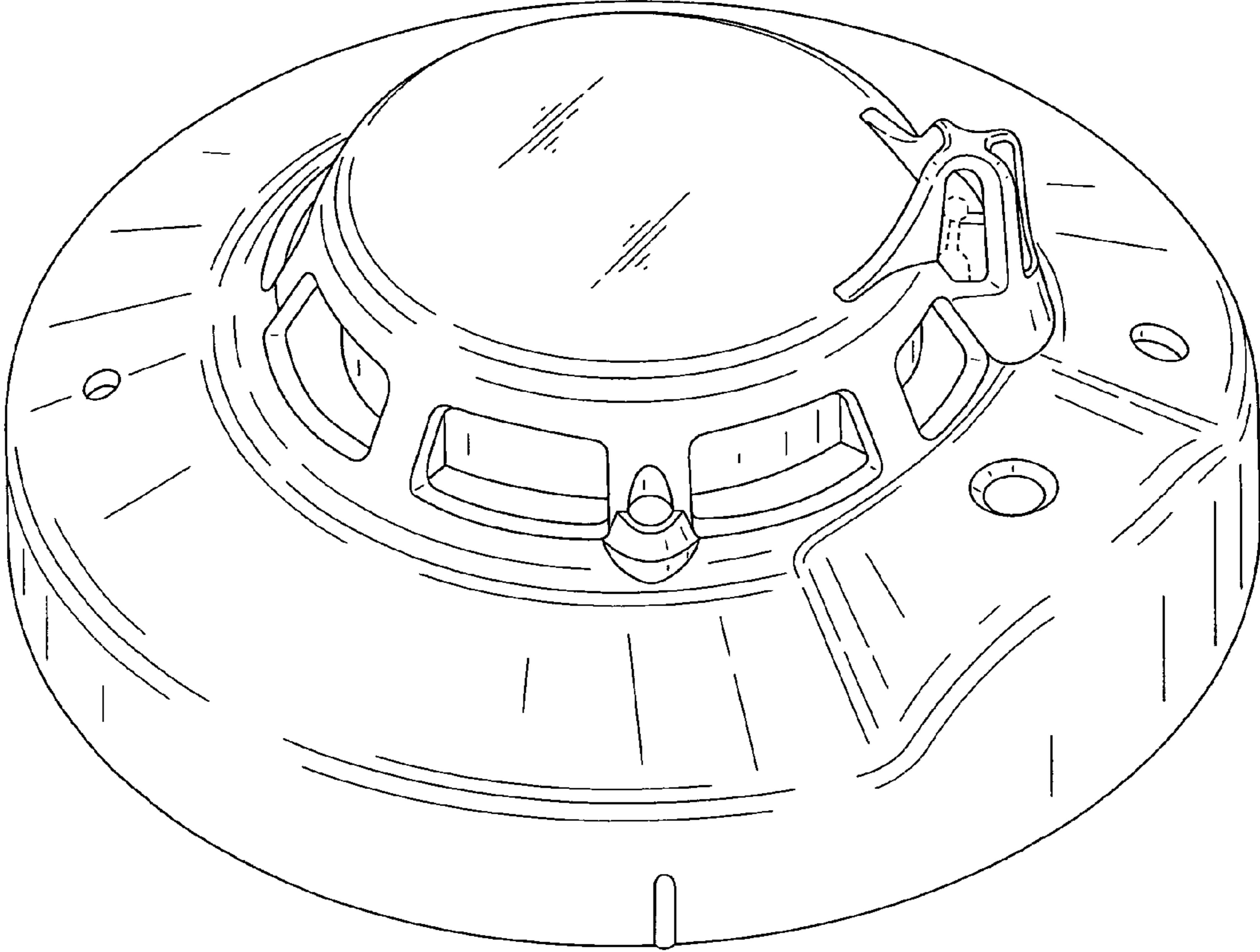


FIG. 1

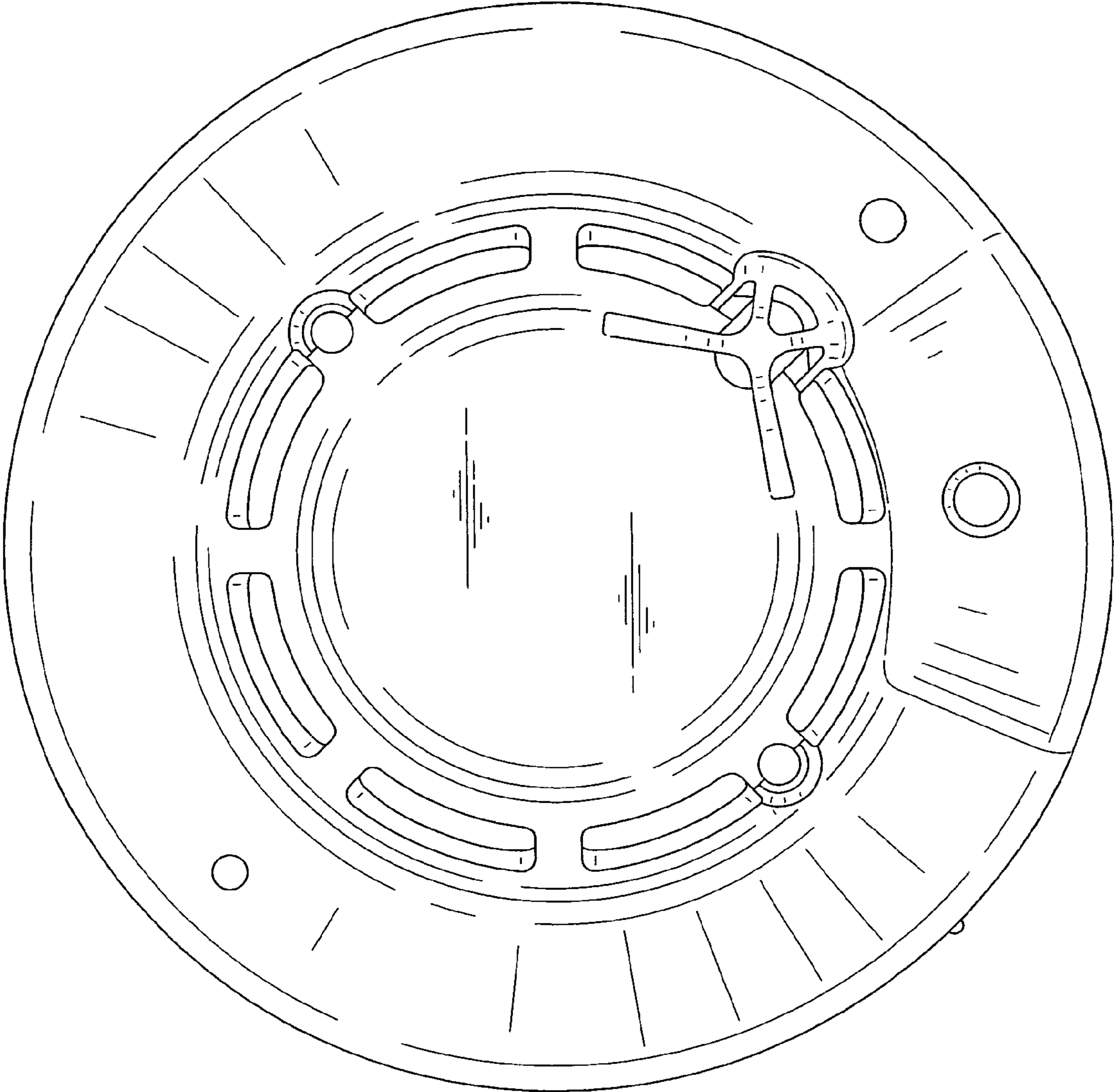


FIG. 2

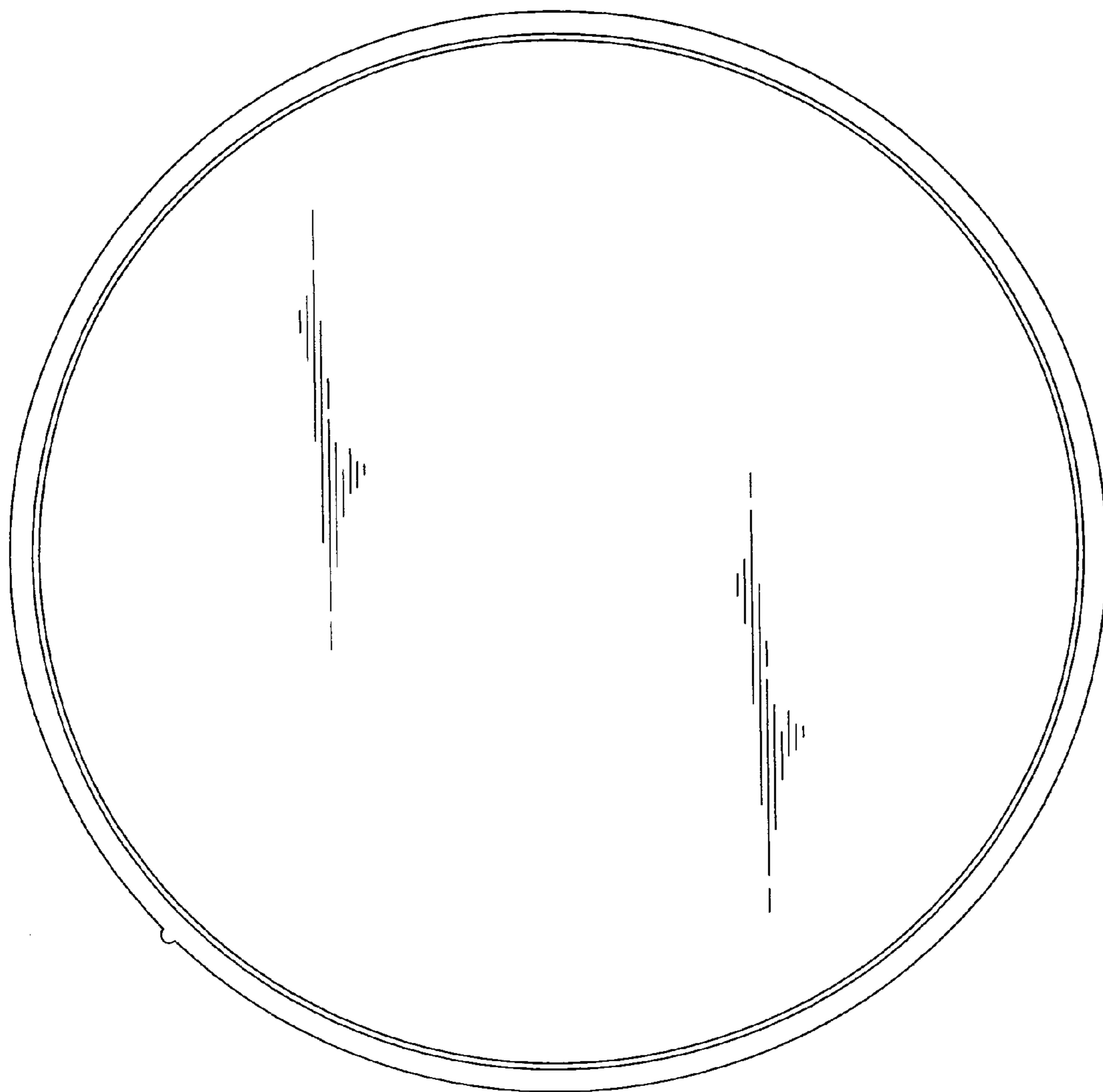


FIG. 3

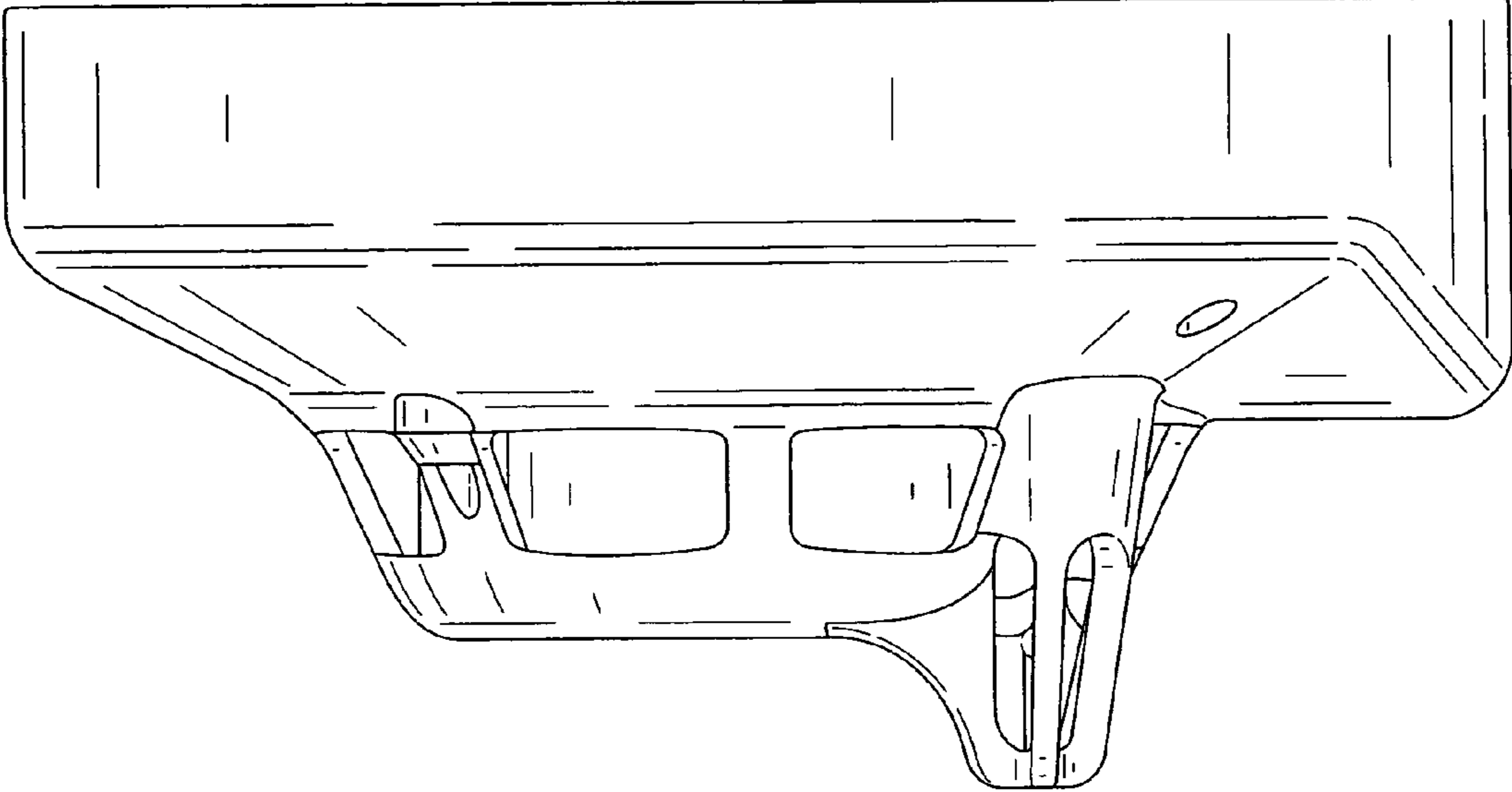


FIG. 4

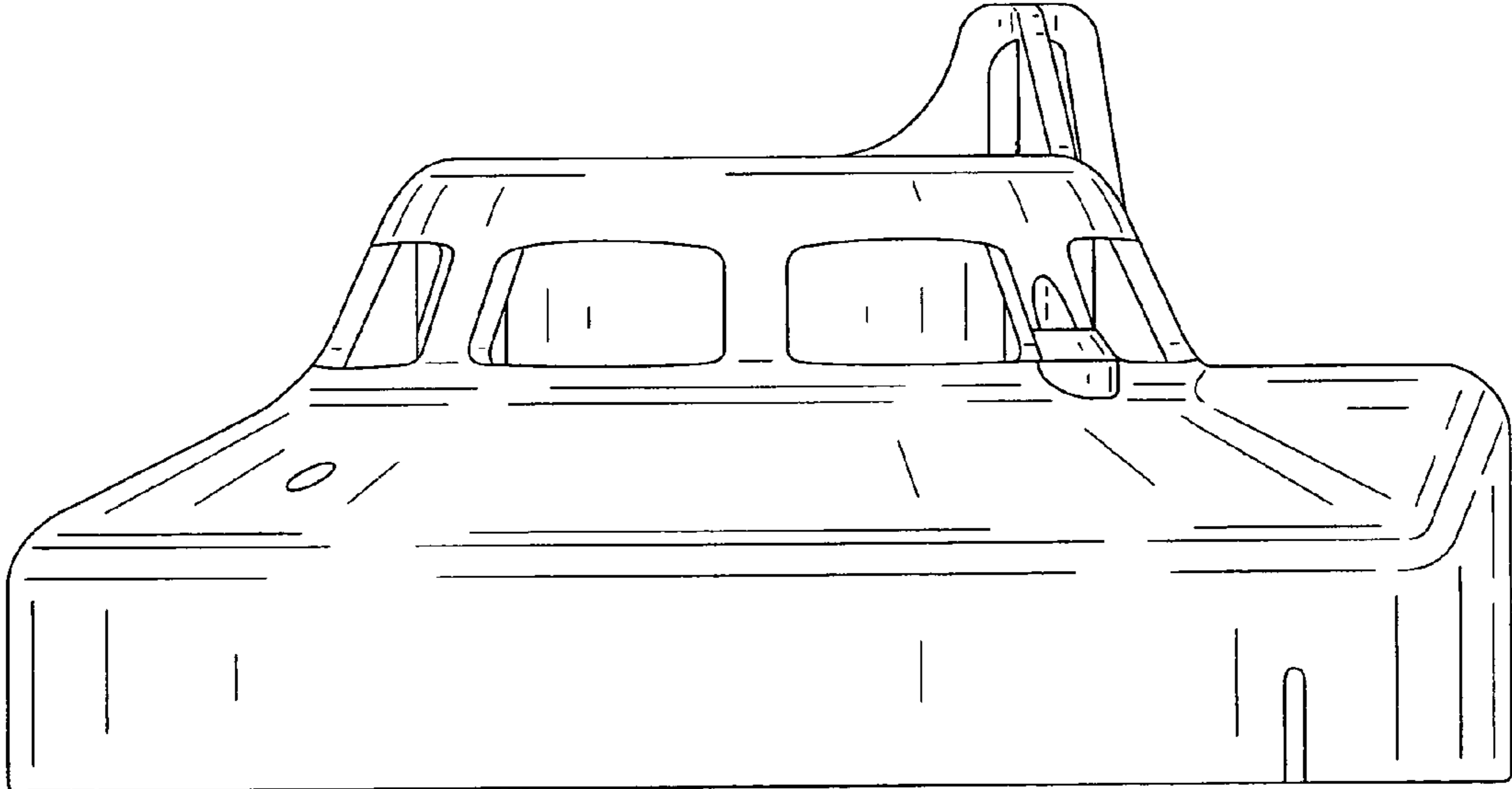


FIG. 5

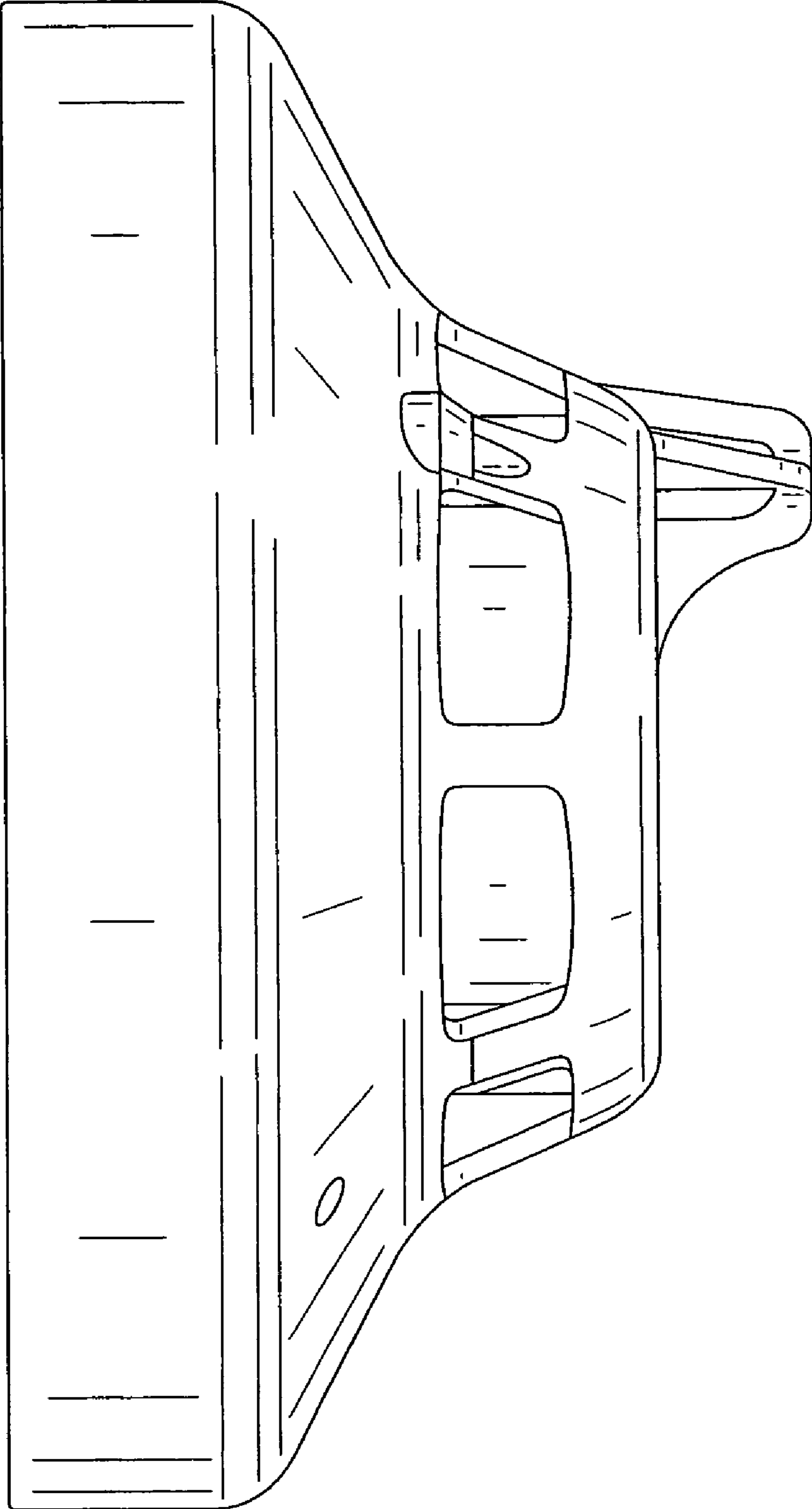


FIG. 6

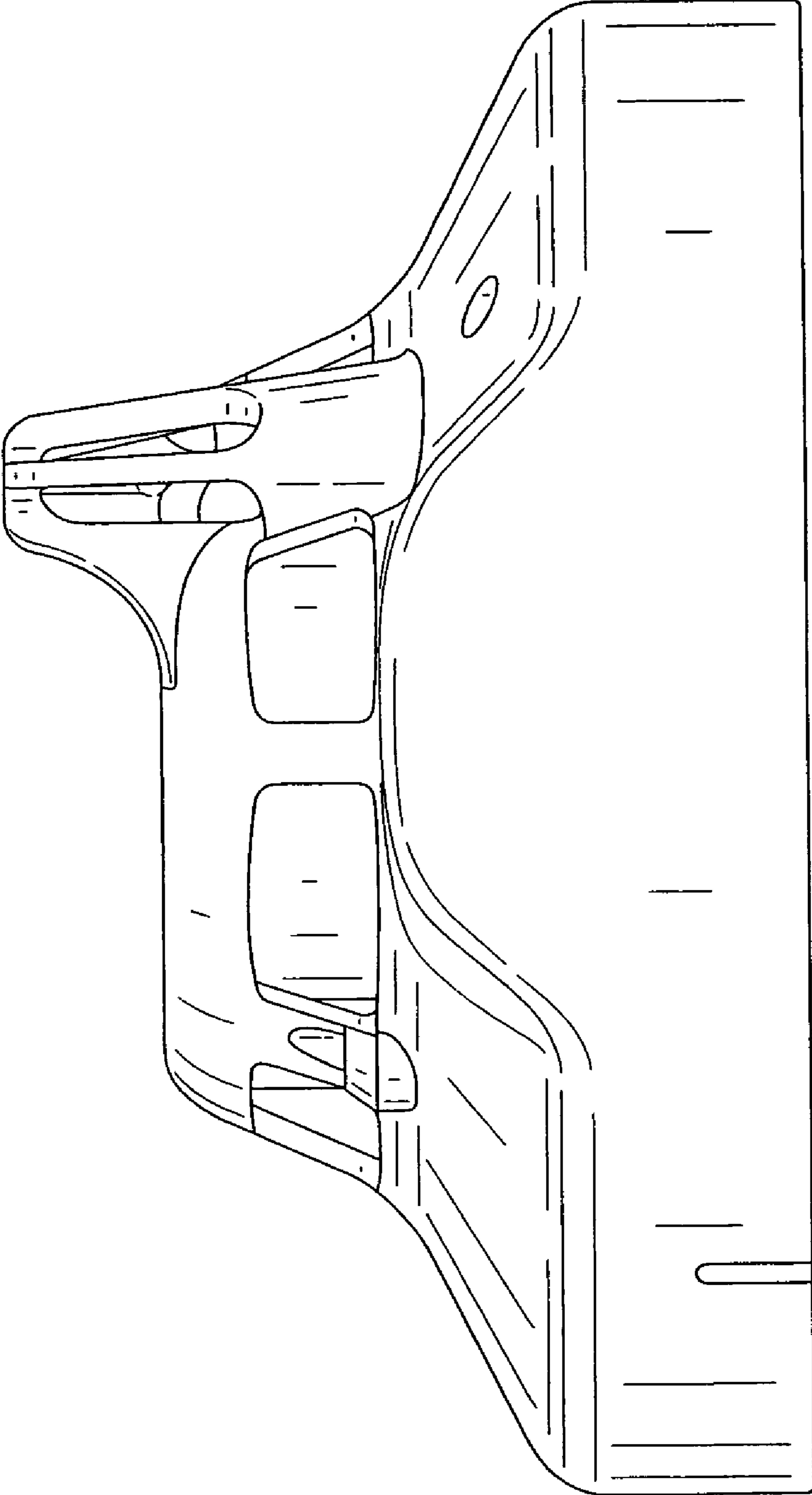


FIG. 7