



US00D607357S

(12) **United States Design Patent**  
**Pohl et al.**

(10) **Patent No.:** **US D607,357 S**  
(45) **Date of Patent:** **\*\* Jan. 5, 2010**

(54) **SCALE**  
(75) Inventors: **Achim Pohl**, Seeheim-Jugenheim (DE);  
**Tomas Fiegl**, Darmstadt (DE)  
(73) Assignee: **Sartorius AG**, Goettingen (DE)  
(\*\*) Term: **14 Years**  
(21) Appl. No.: **29/313,878**  
(22) Filed: **Feb. 17, 2009**

D458,859 S \* 6/2002 Dwertmann ..... D10/91  
6,989,494 B2 \* 1/2006 Yagioka et al. .... 177/25.13  
D596,517 S \* 7/2009 Kesselman ..... D10/91  
D599,239 S \* 9/2009 Pohl et al. .... D10/91  
2008/0245580 A1 \* 10/2008 Aby-Eva et al. .... 177/25.12

\* cited by examiner

*Primary Examiner*—Raphael Barkai  
*Assistant Examiner*—Randall H Gholson  
(74) *Attorney, Agent, or Firm*—Anthony J. Casella; Gerald E. Hespos

(30) **Foreign Application Priority Data**  
Aug. 22, 2008 (EM) ..... 000990213  
(51) **LOC (9) Cl.** ..... **10-04**  
(52) **U.S. Cl.** ..... **D10/91**  
(58) **Field of Classification Search** ..... D10/87–92;  
177/4, 7, 25.11–25.17, 126, 177, 210 R, 238–245,  
177/262, DIG. 3; 324/515  
See application file for complete search history.

(57) **CLAIM**

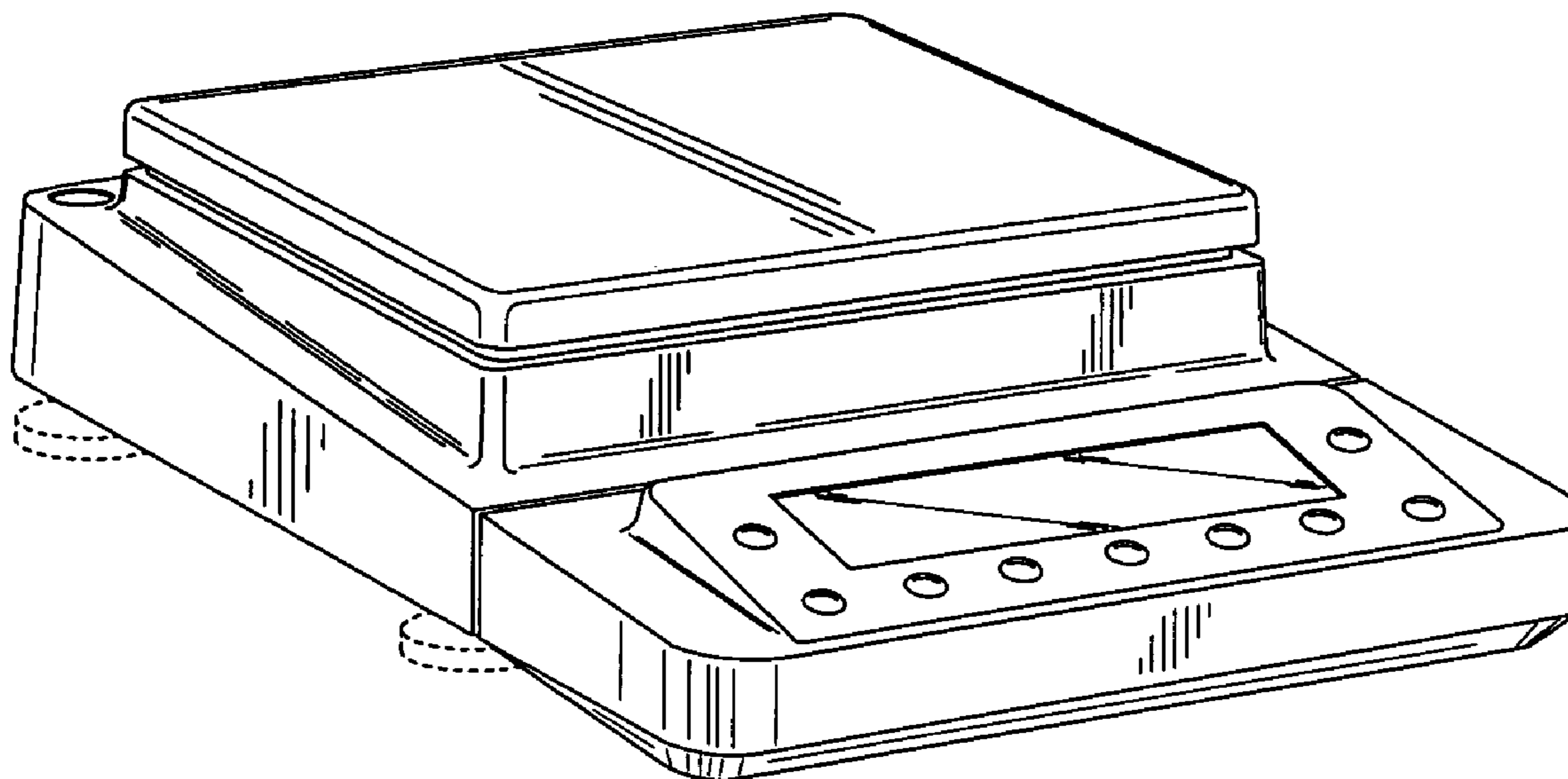
The ornamental design for a scale, as shown and described.

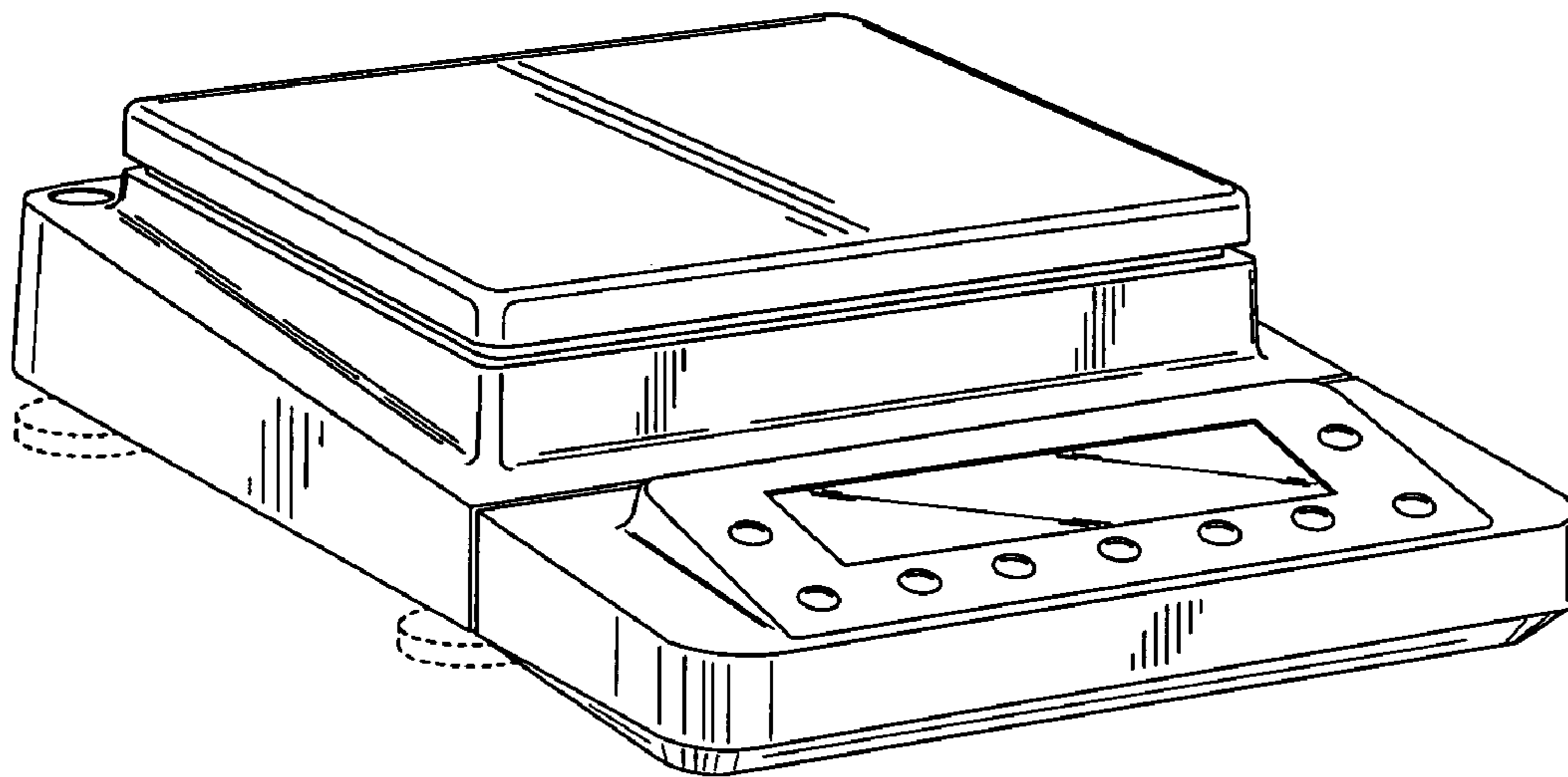
**DESCRIPTION**

FIG. 1 is a perspective view of a scale showing the new design;  
FIG. 2 is a front elevational view thereof;  
FIG. 3 is a right-side elevational view thereof, an elevational view of the left side being a mirror image;  
FIG. 4 is a rear view thereof;  
FIG. 5 is a top plan view thereof; and,  
FIG. 6 is a bottom plan view thereof.  
The portion shown in dashed lines forms no part of the claimed design.

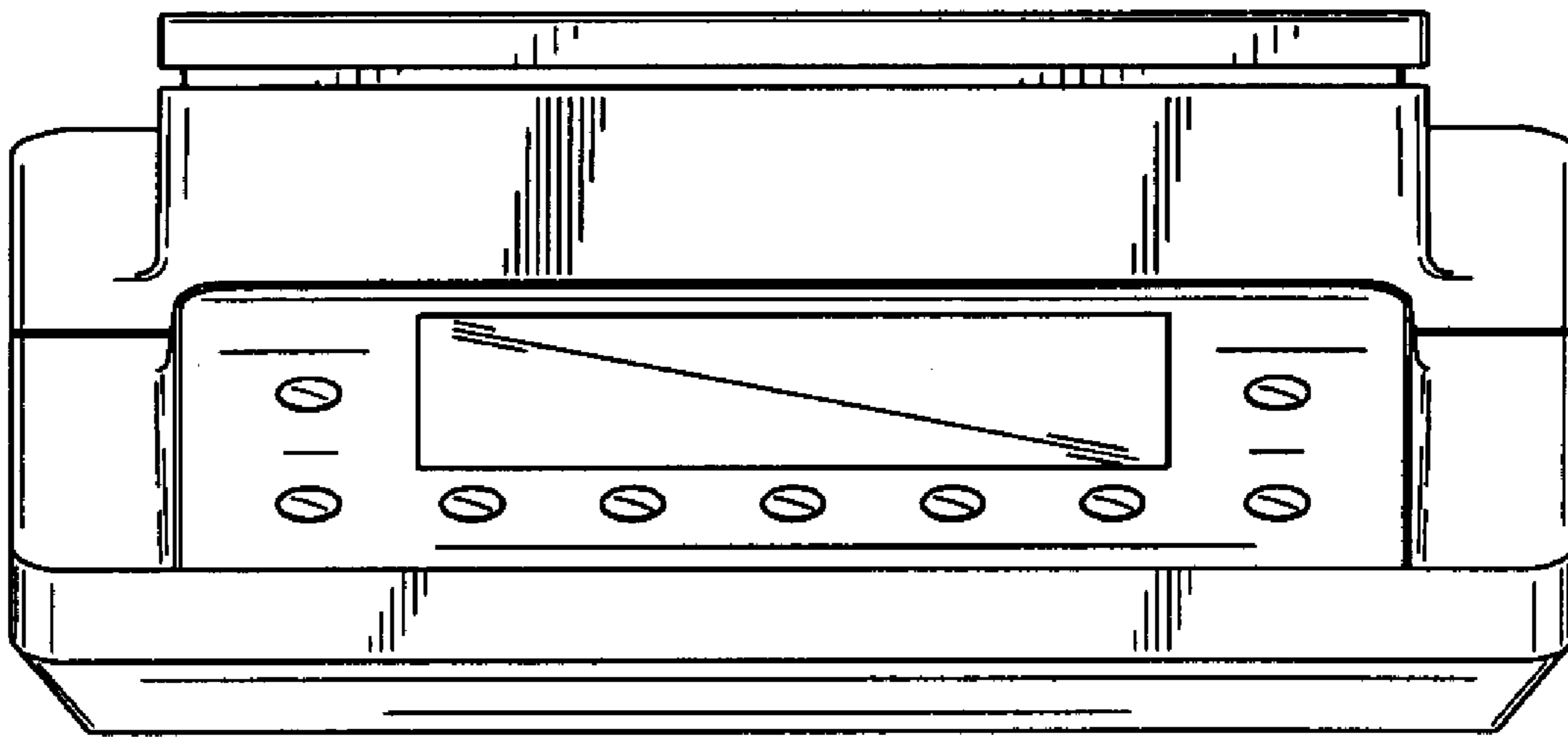
(56) **References Cited**  
U.S. PATENT DOCUMENTS  
D242,331 S \* 11/1976 Kunz ..... D10/91  
D275,558 S \* 9/1984 Pearson ..... D10/91  
4,685,525 A \* 8/1987 Knothe et al. .... 177/25.17  
D296,307 S \* 6/1988 Knothe et al. .... D10/91  
4,782,904 A \* 11/1988 Brock ..... 177/185  
D366,002 S \* 1/1996 Brooks, Jr. .... D10/91

**1 Claim, 6 Drawing Sheets**

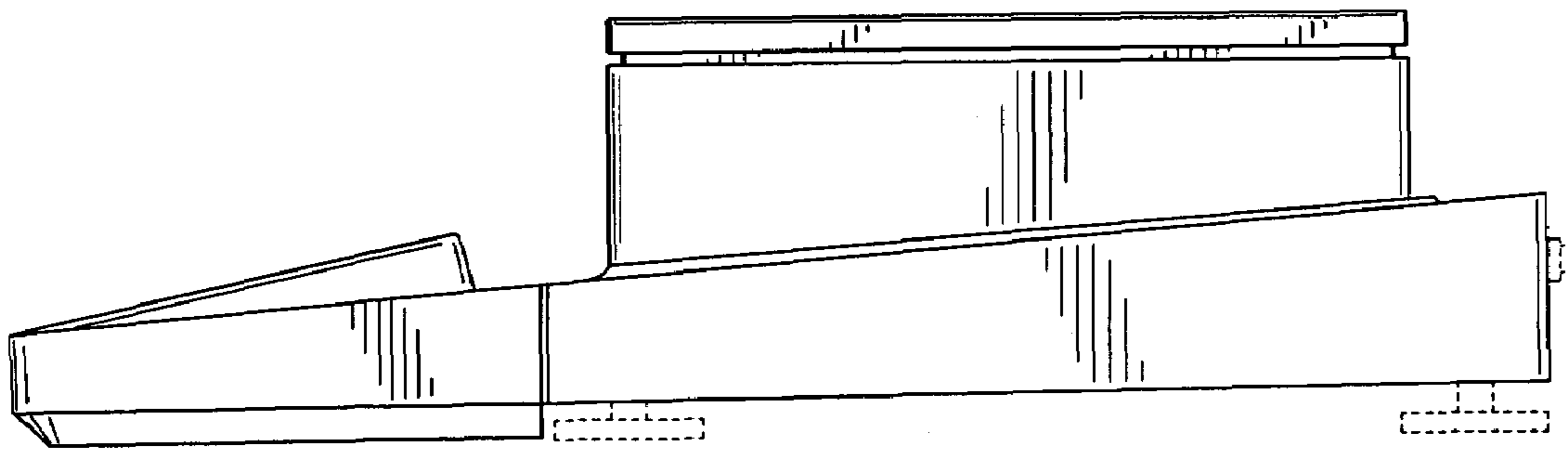




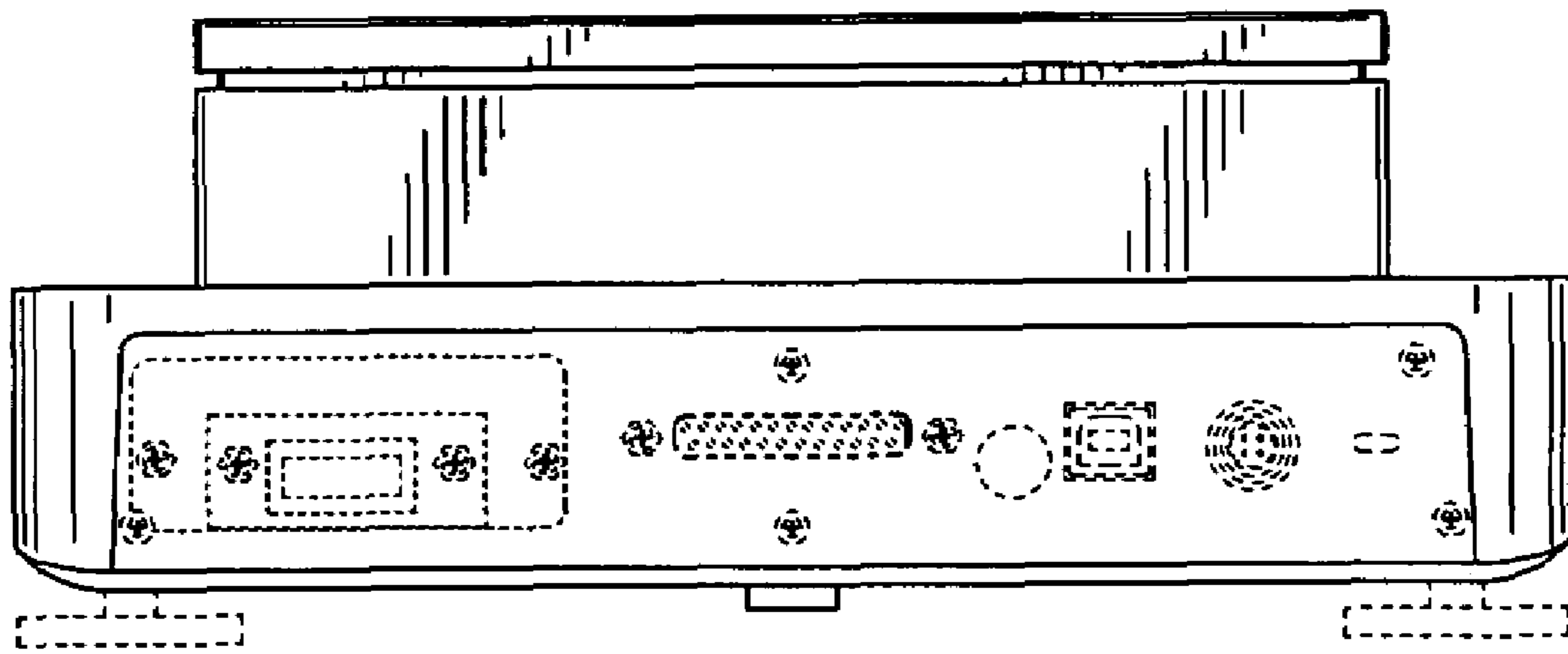
**FIG. 1**



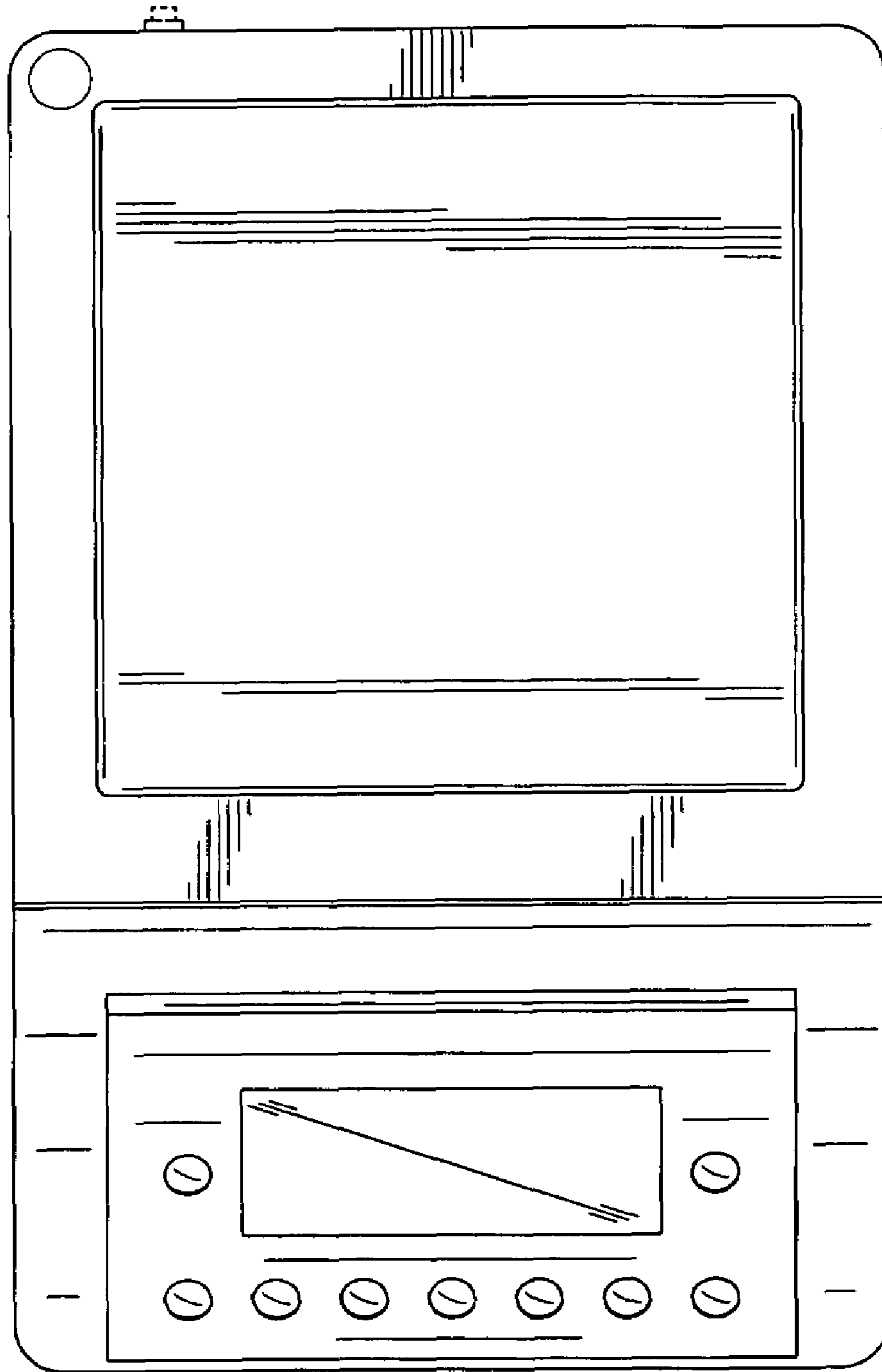
**FIG. 2**



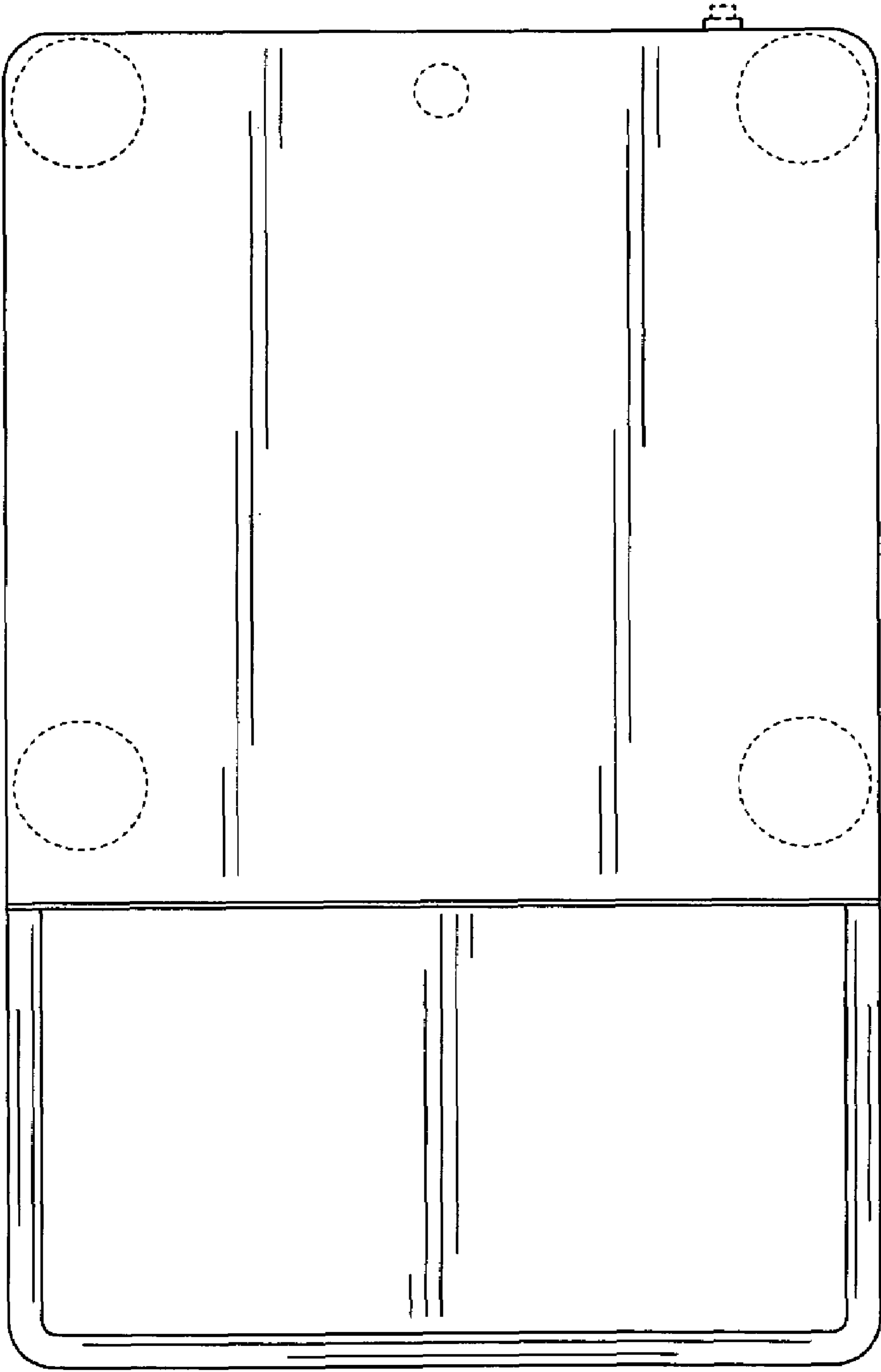
**FIG. 3**



**FIG. 4**



**FIG. 5**



**FIG. 6**