



US00D607354S

(12) **United States Design Patent**  
**Noguchi**

(10) **Patent No.:** **US D607,354 S**  
(45) **Date of Patent:** **\*\* Jan. 5, 2010**

(54) **PRECISION TAPE MEASURE**

(76) Inventor: **Jose Noguchi**, 1521 College View Dr.,  
Monterey Park, CA (US) 91754

(\*\*) Term: **14 Years**

(21) Appl. No.: **29/334,816**

(22) Filed: **Apr. 2, 2009**

(51) **LOC (9) Cl.** ..... **10-04**

(52) **U.S. Cl.** ..... **D10/72**

(58) **Field of Classification Search** ..... D10/62,  
D10/72, 74; 33/755-770, DIG. 1

See application file for complete search history.

(56) **References Cited**

U.S. PATENT DOCUMENTS

3,526,964	A *	9/1970	Clark, Jr.	.....	D10/72
D220,810	S *	5/1971	Lloyd et al.	.....	D10/72
D225,173	S *	11/1972	Quenot	.....	D10/72
D231,486	S *	4/1974	Carter	.....	D10/72
4,242,574	A *	12/1980	Grant	.....	33/763
4,535,415	A *	8/1985	Hird	.....	33/763
4,729,171	A *	3/1988	Samson	.....	33/760
5,367,785	A *	11/1994	Benarroch	.....	33/767
5,433,014	A *	7/1995	Falk et al.	.....	33/763
5,435,074	A *	7/1995	Holevas et al.	.....	33/668
D377,611	S *	1/1997	Miklas	.....	D10/70
D397,949	S *	9/1998	Azzopardi	.....	D10/72
D414,437	S *	9/1999	Goessling, Jr.	.....	D10/72
D423,959	S *	5/2000	Taylor	.....	D10/72
6,212,787	B1 *	4/2001	Dixon	.....	33/759

D443,215	S *	6/2001	Croya et al.	.....	D10/72
6,363,622	B1 *	4/2002	Stratton	.....	33/761
D462,911	S *	9/2002	Odachowski	.....	D10/72
D506,690	S *	6/2005	Labrie	.....	D10/72
D510,532	S *	10/2005	Lin	.....	D10/72

\* cited by examiner

*Primary Examiner*—Antoine D Davis

(57) **CLAIM**

I claim, the ornamental design for the precision tape measure, as shown and described.

**DESCRIPTION**

FIG. 1 is a front elevational view of the precision tape measure showing my new design;

FIG. 2 is a rear elevational view of the precision tape measure thereof;

FIG. 3 is a left-side elevational view of the precision tape measure thereof;

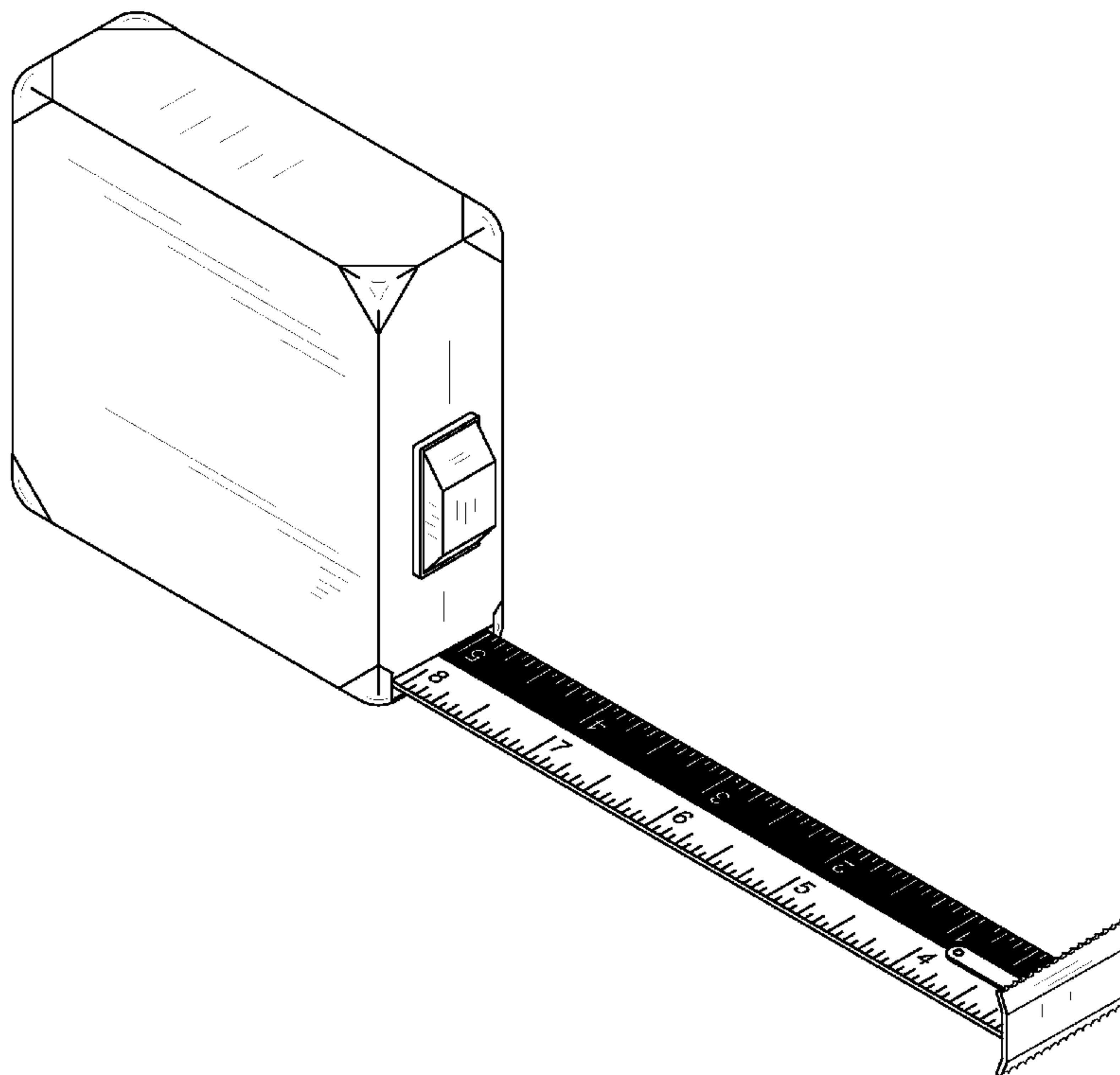
FIG. 4 is right side elevational view of the precision tape measure thereof;

FIG. 5 is a top plan view of the precision tape measure thereof;

FIG. 6 is a bottom plan view of the precision tape measure thereof; and,

FIG. 7 is a perspective view of the precision tape measure thereof.

**1 Claim, 3 Drawing Sheets**



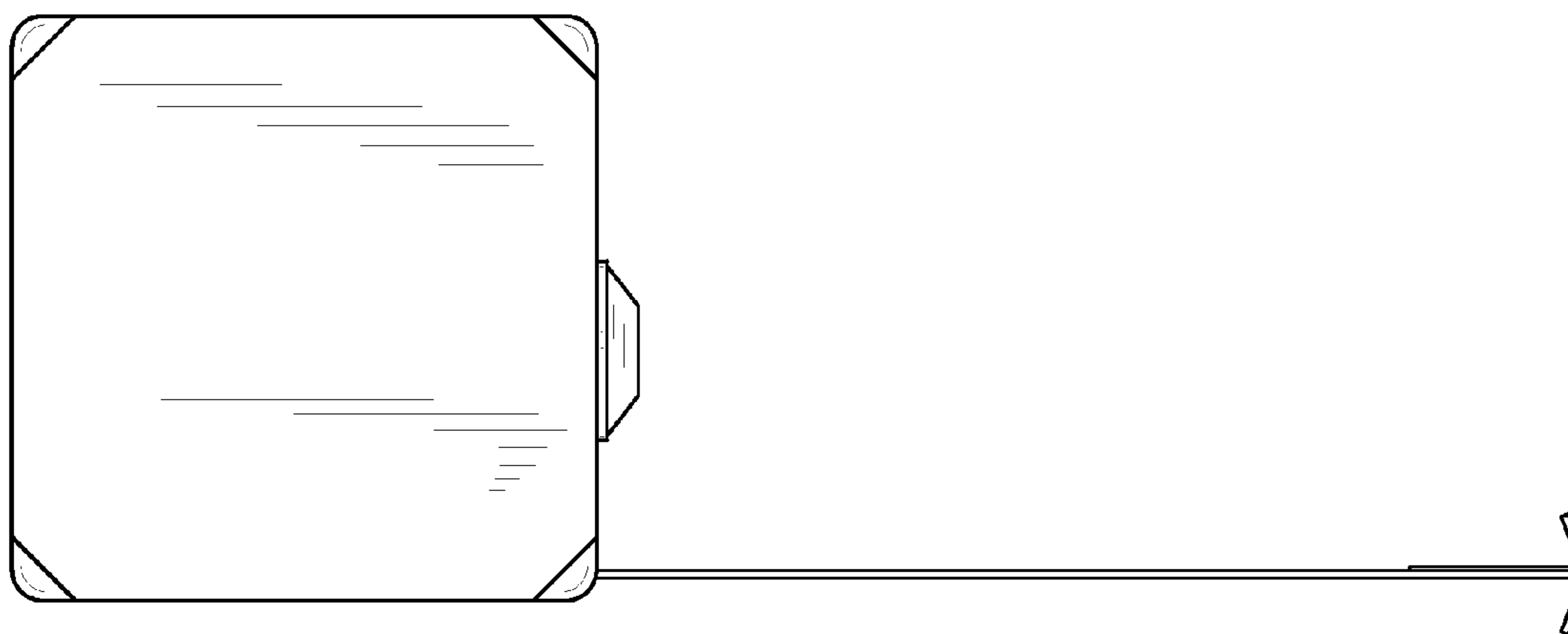


FIG. 1

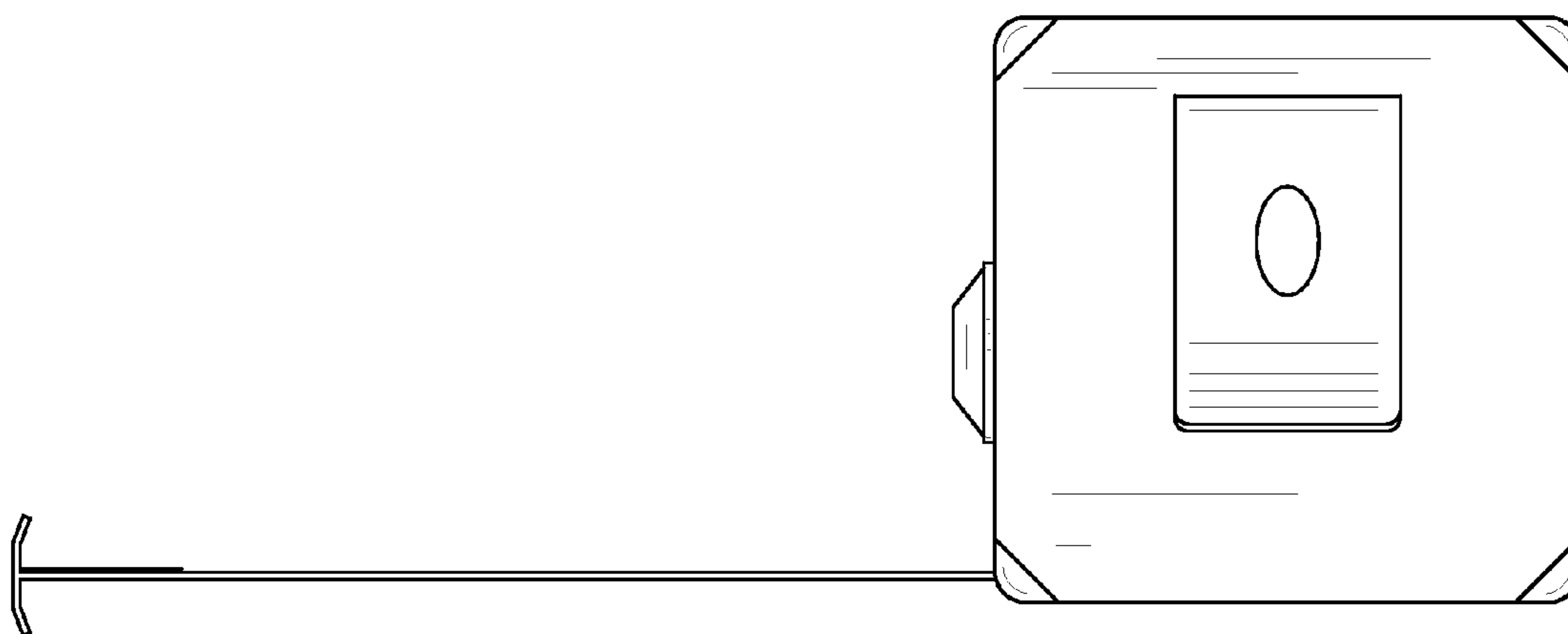


FIG. 2

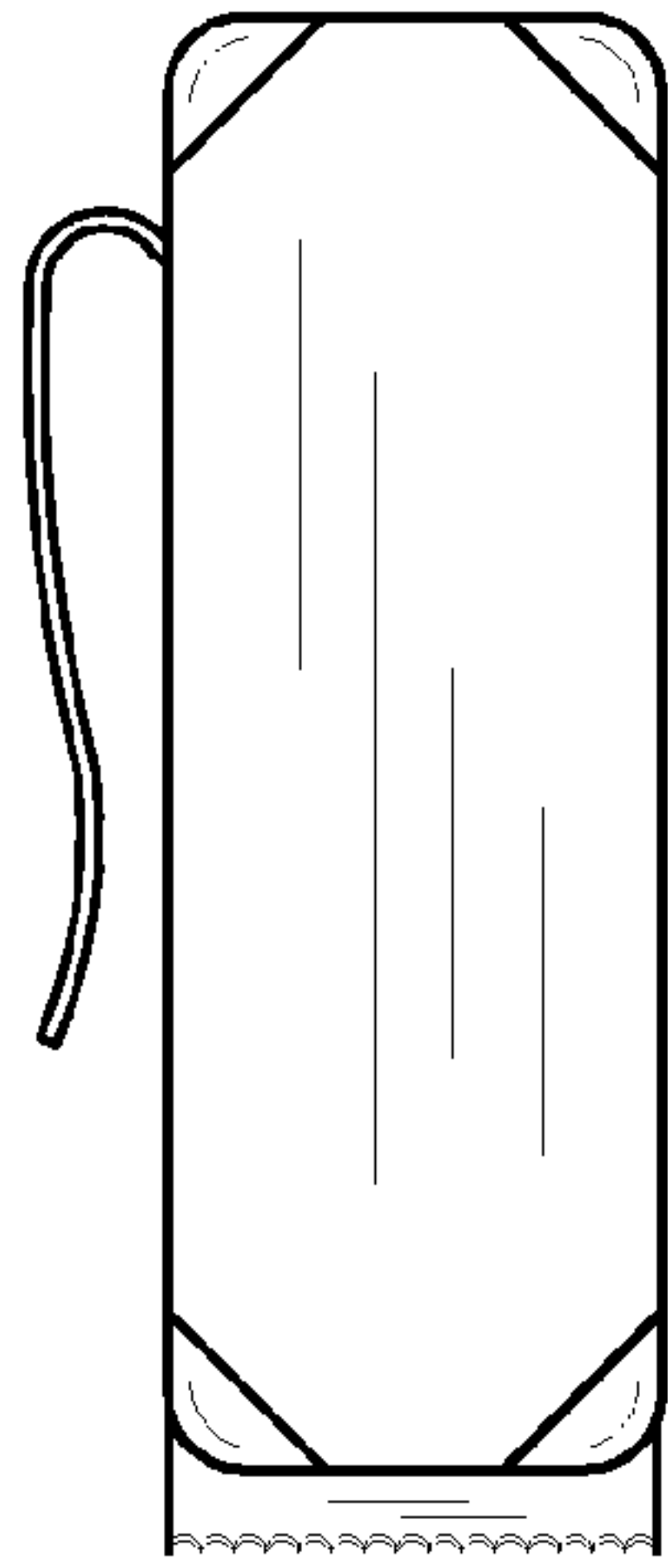


FIG. 3

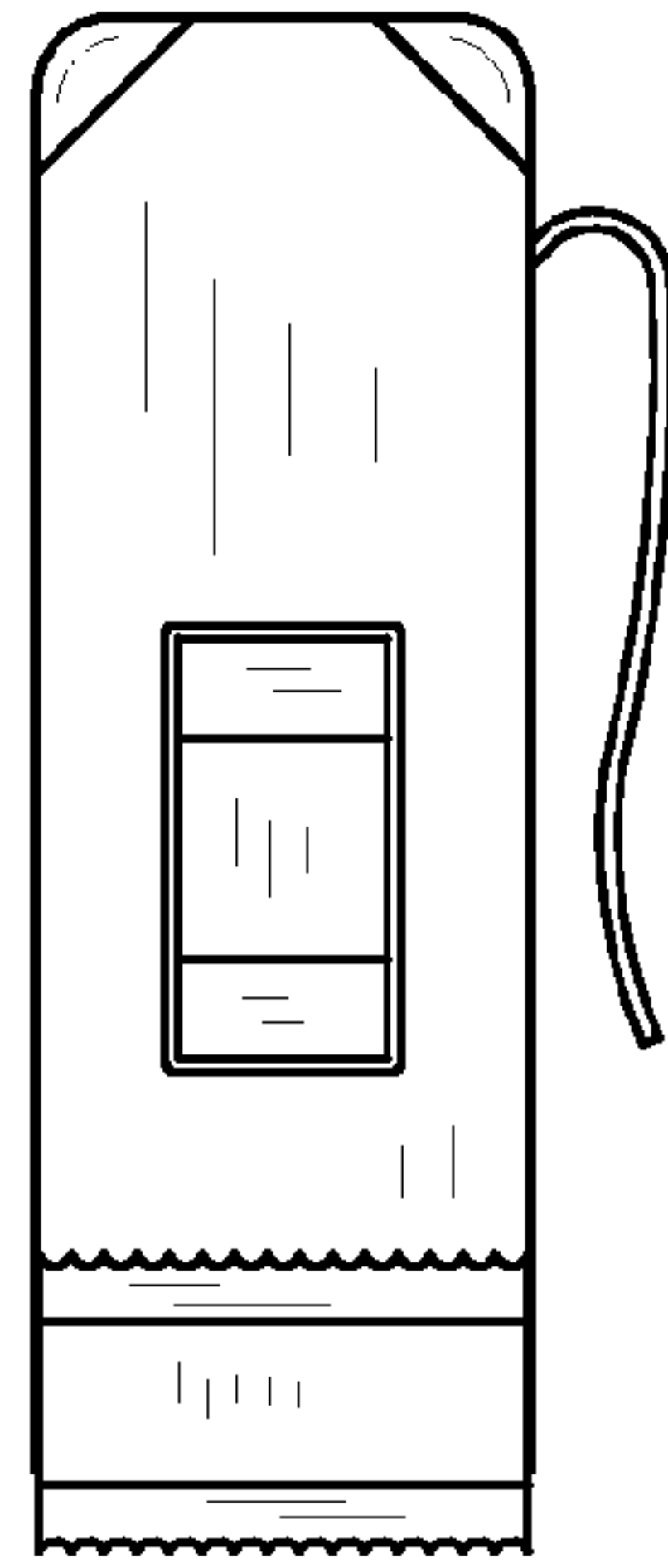


FIG. 4

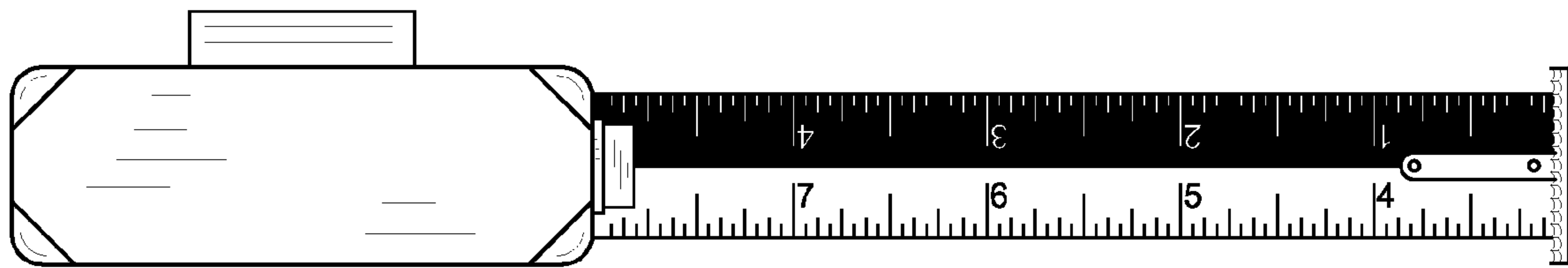


FIG. 5

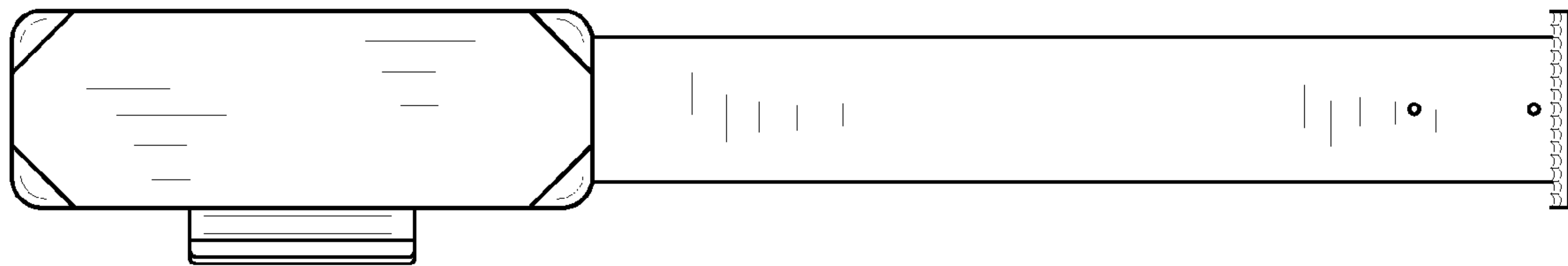


FIG. 6

FIG. 7

