



US00D607350S

(12) **United States Design Patent**  
**Cooduvalli et al.**

(10) **Patent No.:** **US D607,350 S**  
(45) **Date of Patent:** **\*\* Jan. 5, 2010**

(54) **PORTABLE COORDINATE MEASUREMENT MACHINE**

(75) Inventors: **Umesh Cooduvalli**, Onviedo, FL (US); **Craig A. Hidalgo**, Langhorne, PA (US); **Thomas Powers**, Titusville, NJ (US); **Paul Christopher Atwell**, Lake Mary, FL (US); **Marc M. Barber**, Deltona, FL (US); **Clark H. Briggs**, DeLand, FL (US); **David M. Danielson**, Sorrento, FL (US); **Orlando Perez**, Lake Mary, FL (US); **Jay W. Freeland**, Merritt Island, FL (US); **Daniel W. Hawkins**, Lake Mary, FL (US); **Kenneth Steffey**, Sanford, FL (US); **James K. West**, Landenberg, PA (US)

(73) Assignee: **Faro Technologies, Inc**, Lake Mary, FL (US)

(\*\*) Term: **14 Years**

(21) Appl. No.: **29/295,249**

(22) Filed: **Sep. 24, 2007**

(51) **LOC (9) Cl.** ..... **10-04**

(52) **U.S. Cl.** ..... **D10/63**

(58) **Field of Classification Search** ..... D10/63;  
D15/199; 33/503–505, 558; 74/490.01–490.15;  
319/560; 414/744.5, 744.2; 700/262, 195,  
700/80, 245; 702/150–156, 94, 95, 167–169  
See application file for complete search history.

(56) **References Cited**

**U.S. PATENT DOCUMENTS**

D377,932 S *	2/1997	Schena et al.	.....	D14/411
D472,824 S *	4/2003	Raab et al.	.....	D10/63
D479,544 S *	9/2003	Raab et al.	.....	D15/199
D490,831 S *	6/2004	Raab et al.	.....	D15/199
D491,589 S *	6/2004	Raab et al.	.....	D15/199
D491,965 S *	6/2004	Raab et al.	.....	D15/199
D496,595 S *	9/2004	Raab et al.	.....	D10/63
D497,815 S *	11/2004	Raab et al.	.....	D10/63
D502,881 S *	3/2005	Raab et al.	.....	D10/63
D502,882 S *	3/2005	Raab et al.	.....	D10/63
D503,116 S *	3/2005	Raab et al.	.....	D10/63

D503,117 S *	3/2005	Raab et al.	.....	D10/63
D503,348 S *	3/2005	Raab et al.	.....	D10/63
D507,978 S *	8/2005	Raab et al.	.....	D10/63

\* cited by examiner

*Primary Examiner*—Antoine D Davis

(74) *Attorney, Agent, or Firm*—Cantor Colburn LLP

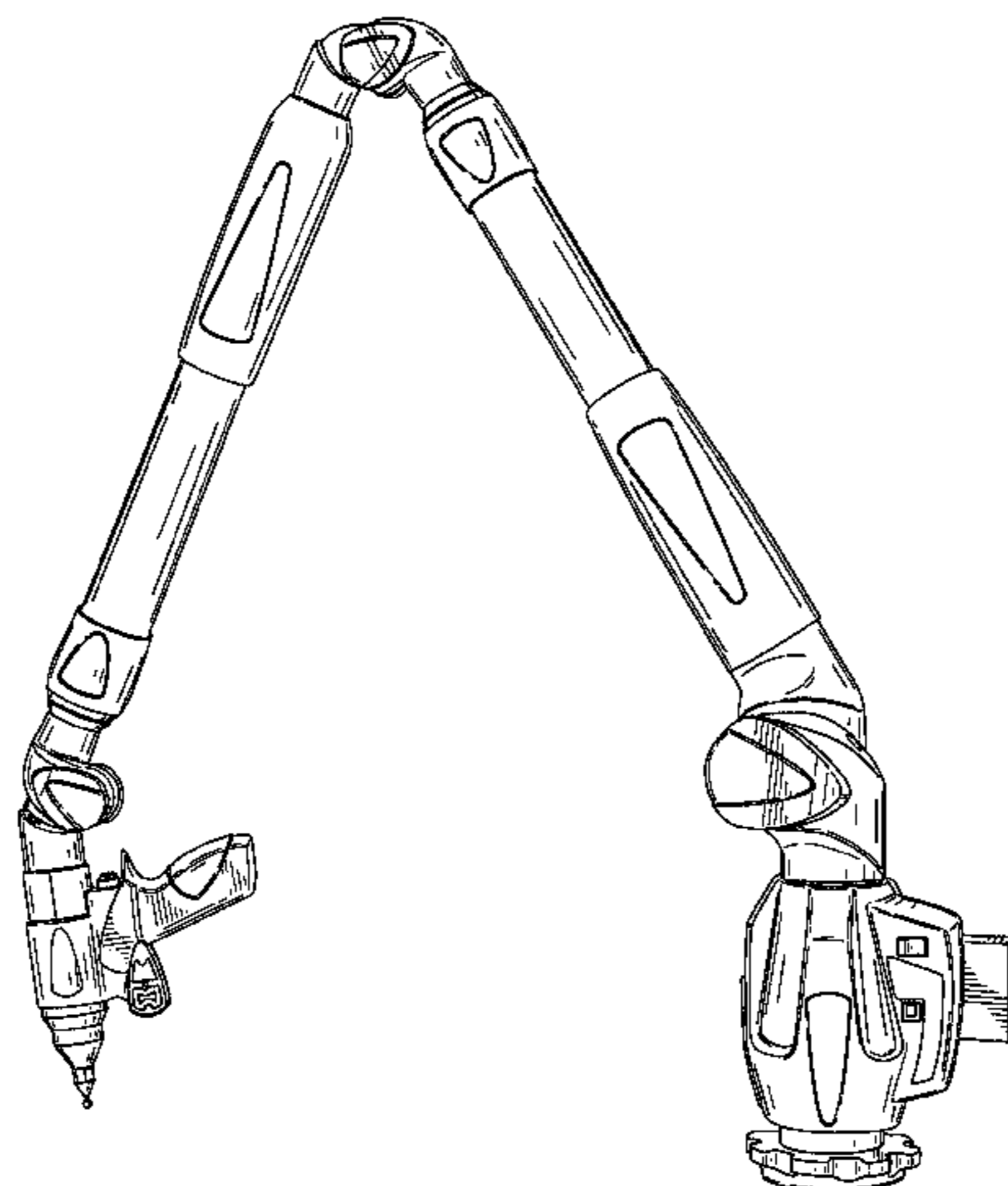
(57) **CLAIM**

The ornamental design for a portable coordinate measurement machine, as shown.

**DESCRIPTION**

FIG. 1 is a perspective view a portable coordinate measurement machine in a first embodiment;  
 FIG. 2 is an enlarged partial view thereof;  
 FIG. 3 is an enlarged partial view thereof;  
 FIG. 4 is an enlarged partial view thereof;  
 FIG. 5 is an enlarged partial view thereof;  
 FIG. 6 is an enlarged partial view thereof;  
 FIG. 7 is an enlarged partial view thereof;  
 FIG. 8 is a front view thereof showing the coordinate measurement machine in an alternate position;  
 FIG. 9 is a side view thereof, taken from the left of FIG. 8;  
 FIG. 10 is a rear view thereof;  
 FIG. 11 is a side view thereof, taken from the right of FIG. 8;  
 FIG. 12 is a top view thereof;  
 FIG. 13 is a perspective view of a portable coordinate measurement machine in a second embodiment;  
 FIG. 14 is an enlarged partial view thereof;  
 FIG. 15 is an enlarged partial view thereof;  
 FIG. 16 is an enlarged partial view thereof;  
 FIG. 17 is an enlarged partial view thereof;  
 FIG. 18 is an enlarged partial view thereof;  
 FIG. 19 is an enlarged partial view thereof; and,  
 FIG. 20 is an enlarged partial view thereof.

**1 Claim, 18 Drawing Sheets**



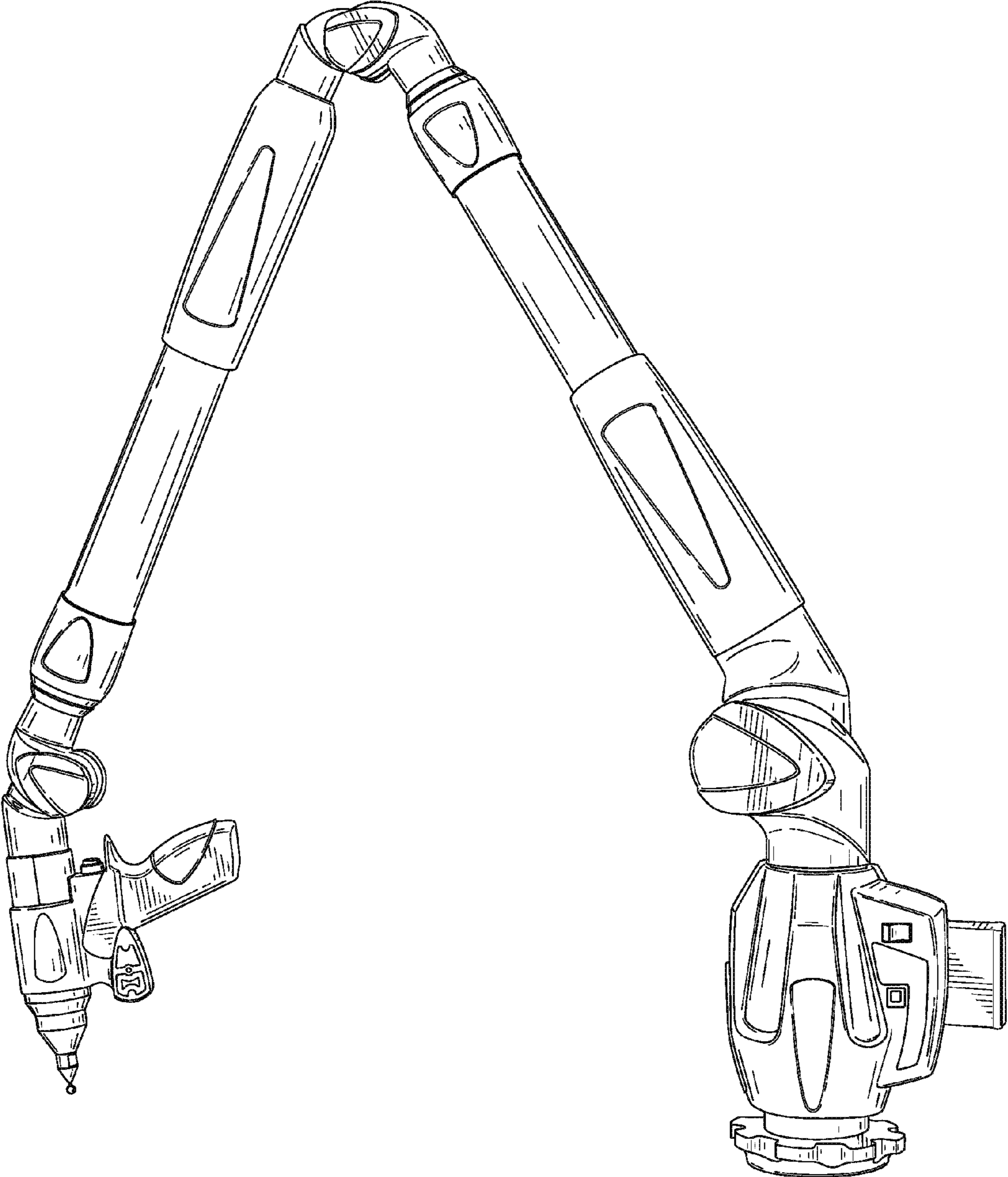


FIG. 1

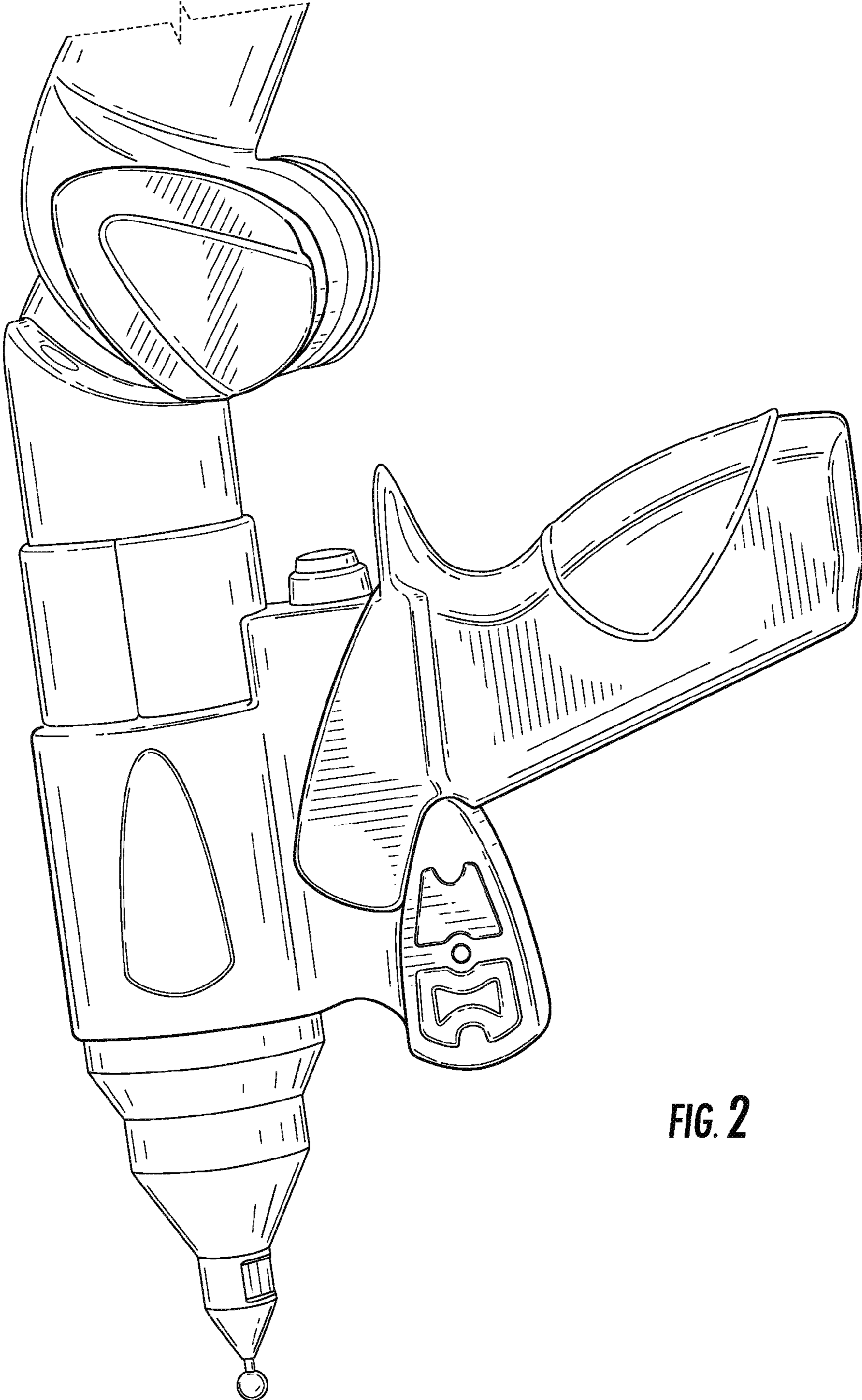


FIG. 2

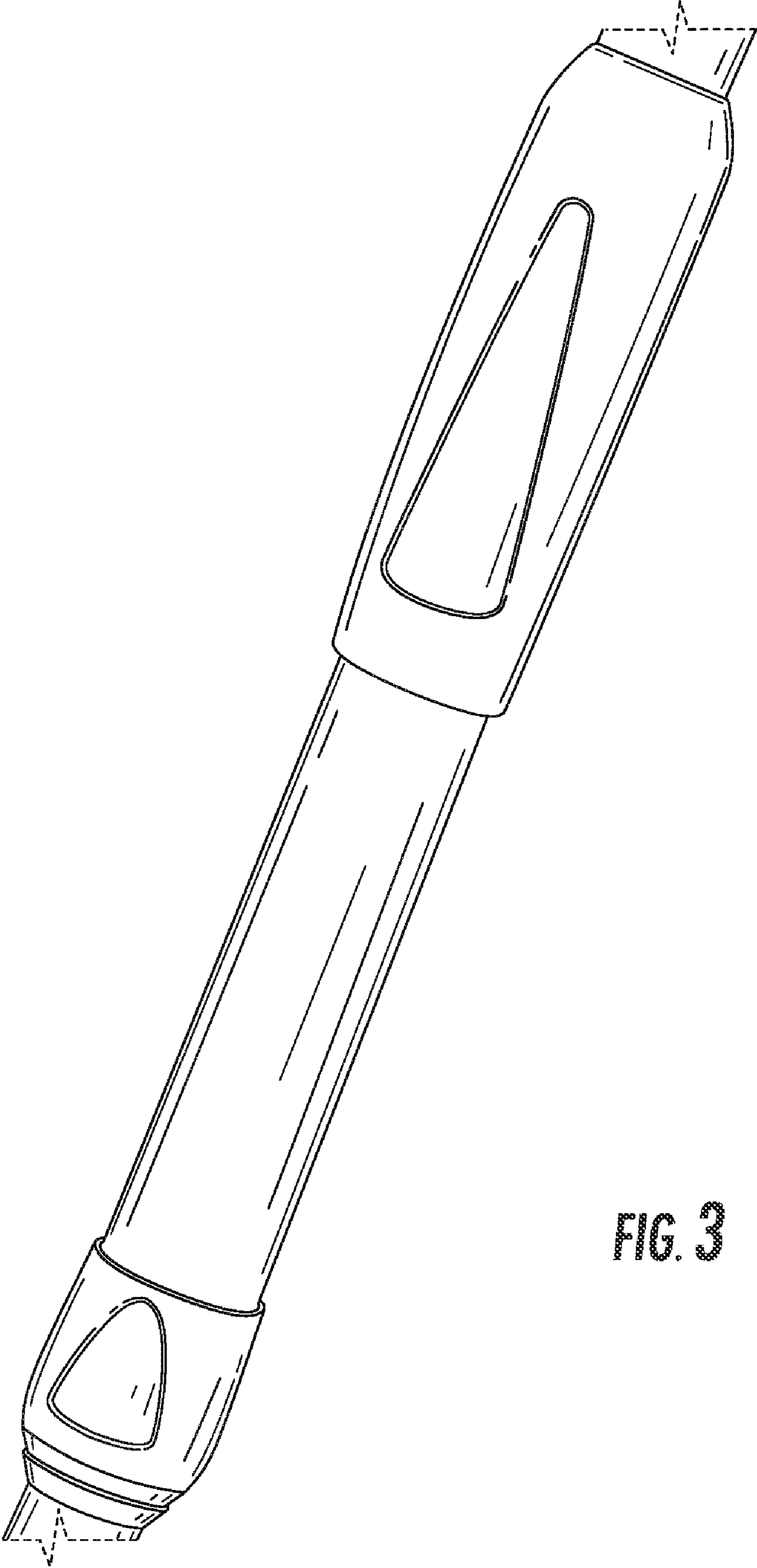
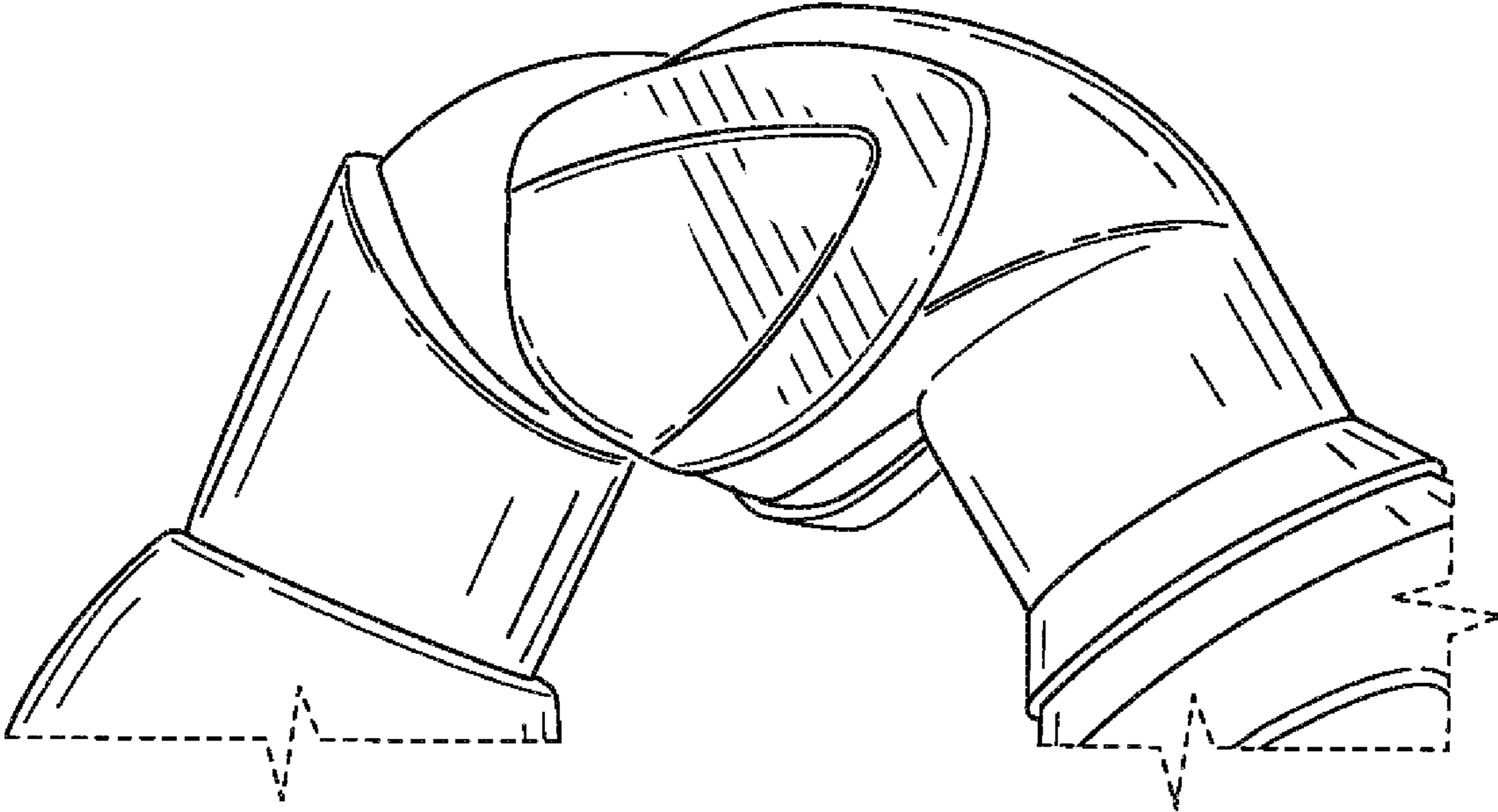
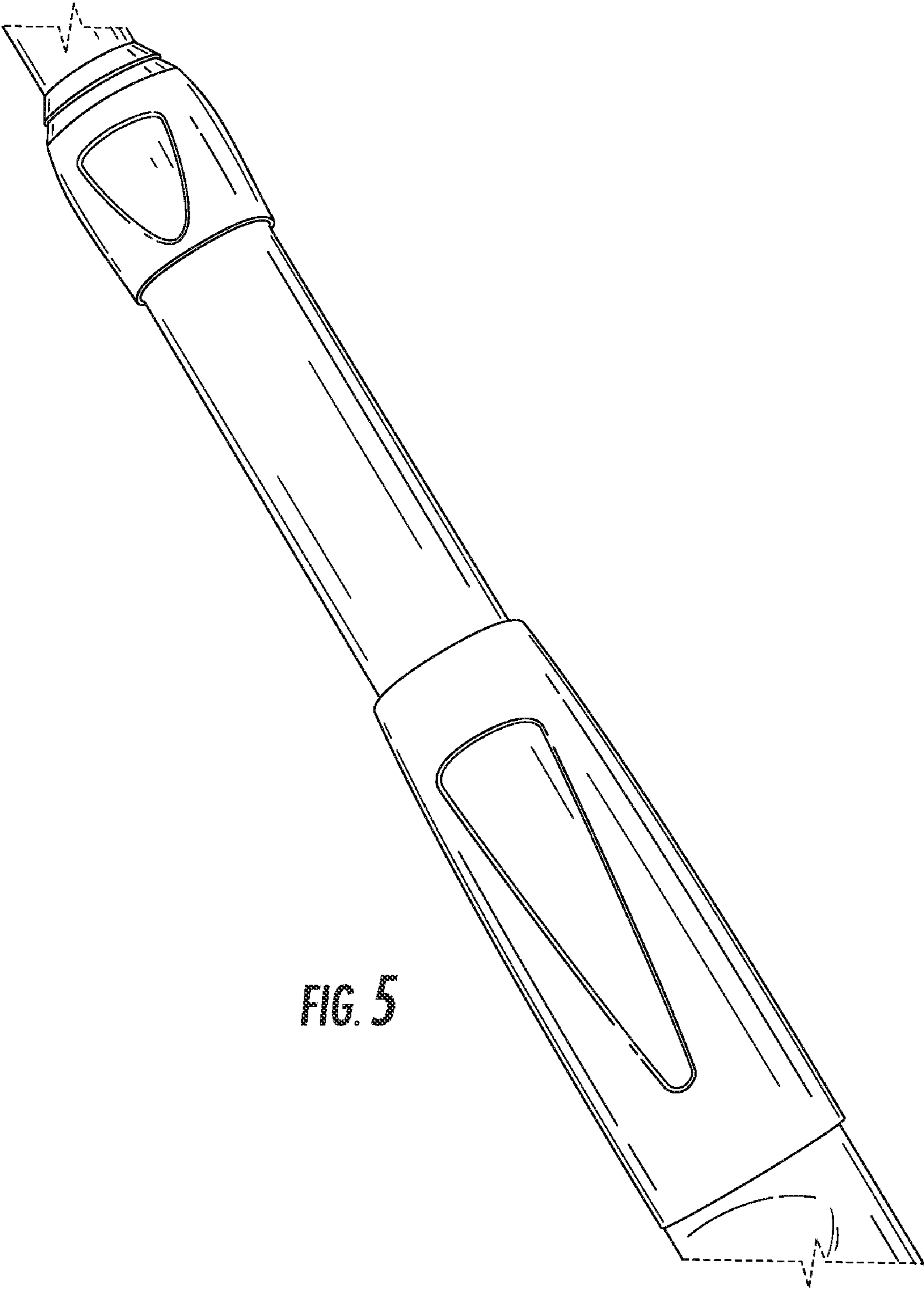


FIG. 3



**FIG. 4**



**FIG. 5**

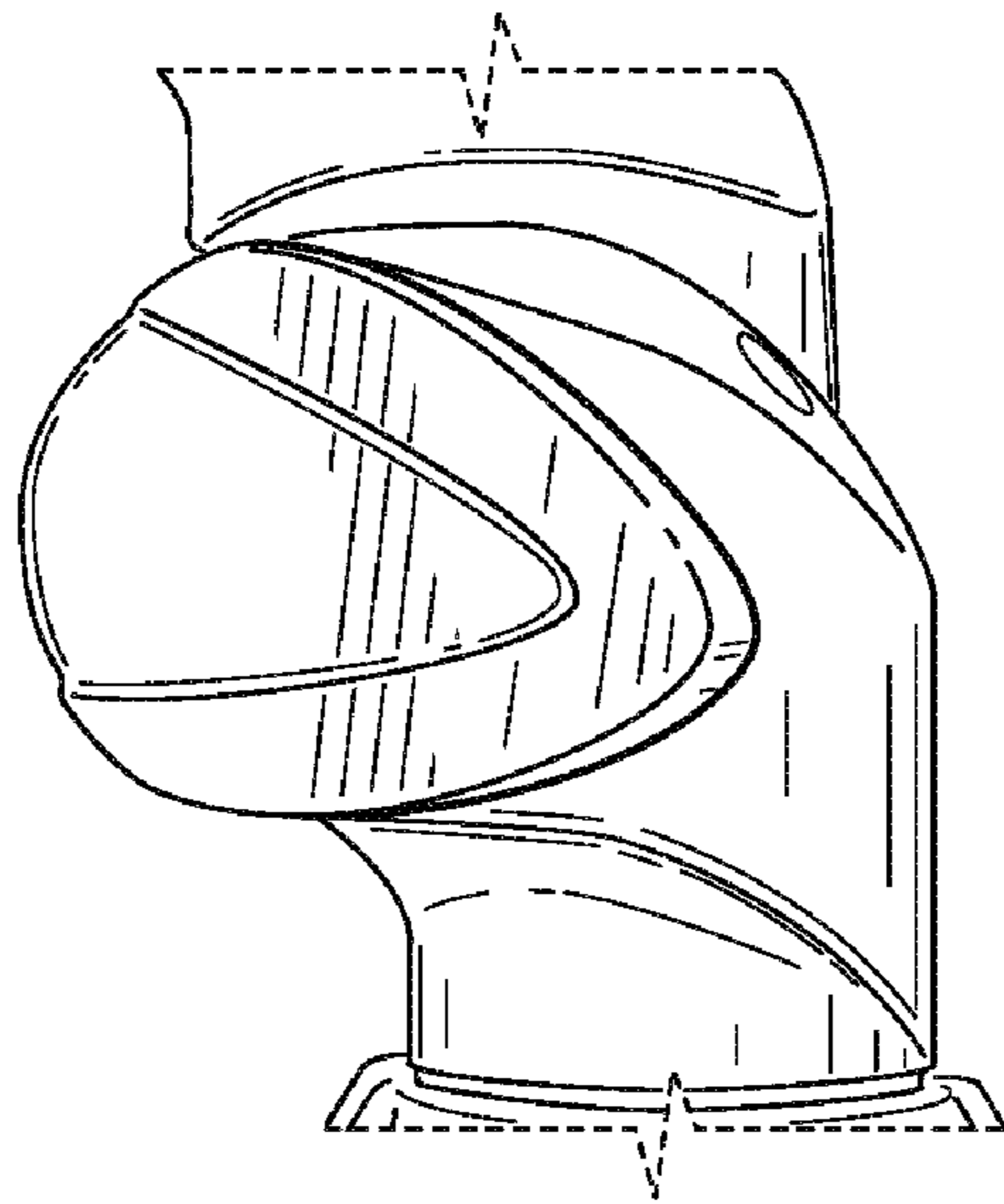


FIG. 6

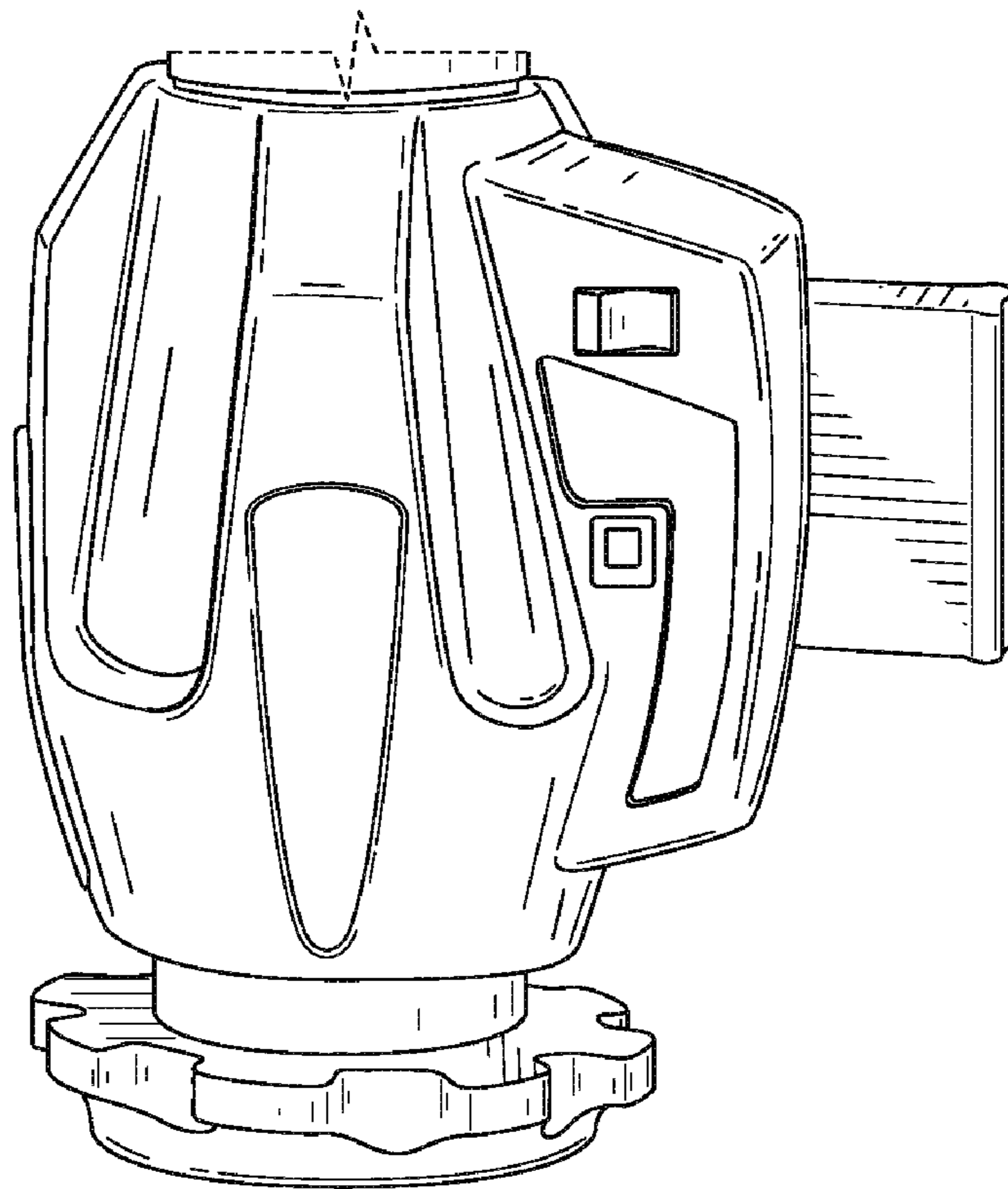


FIG. 7

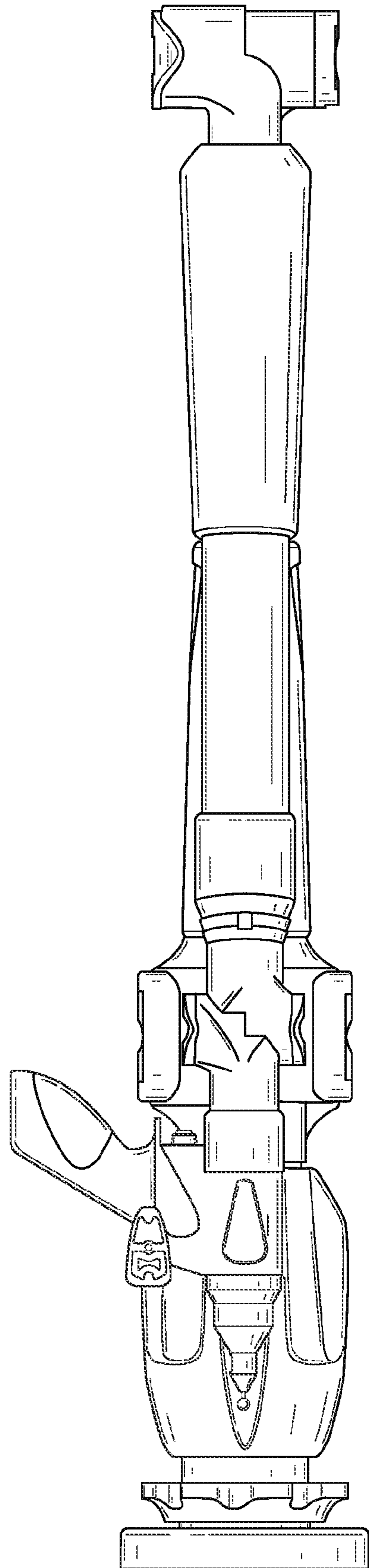


FIG. 8



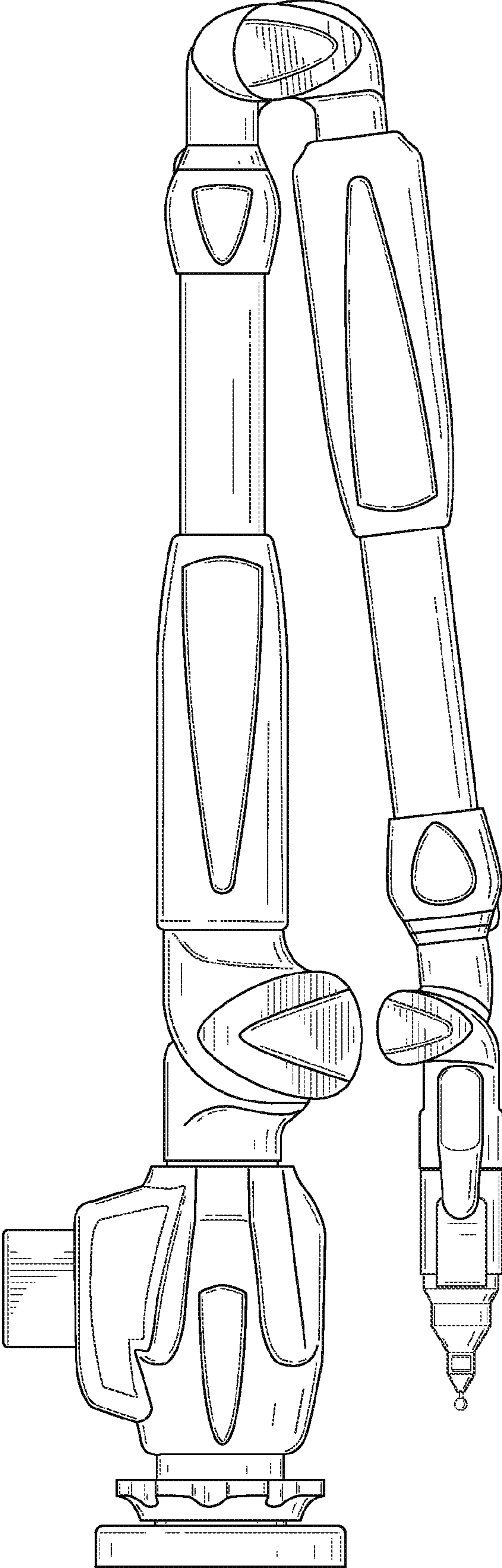


FIG. 9

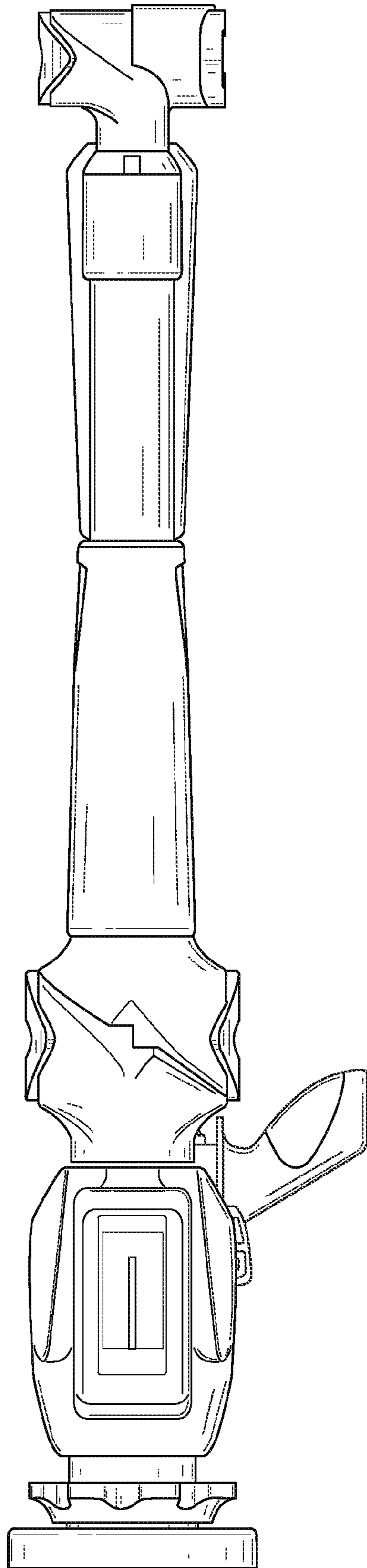


FIG. 10

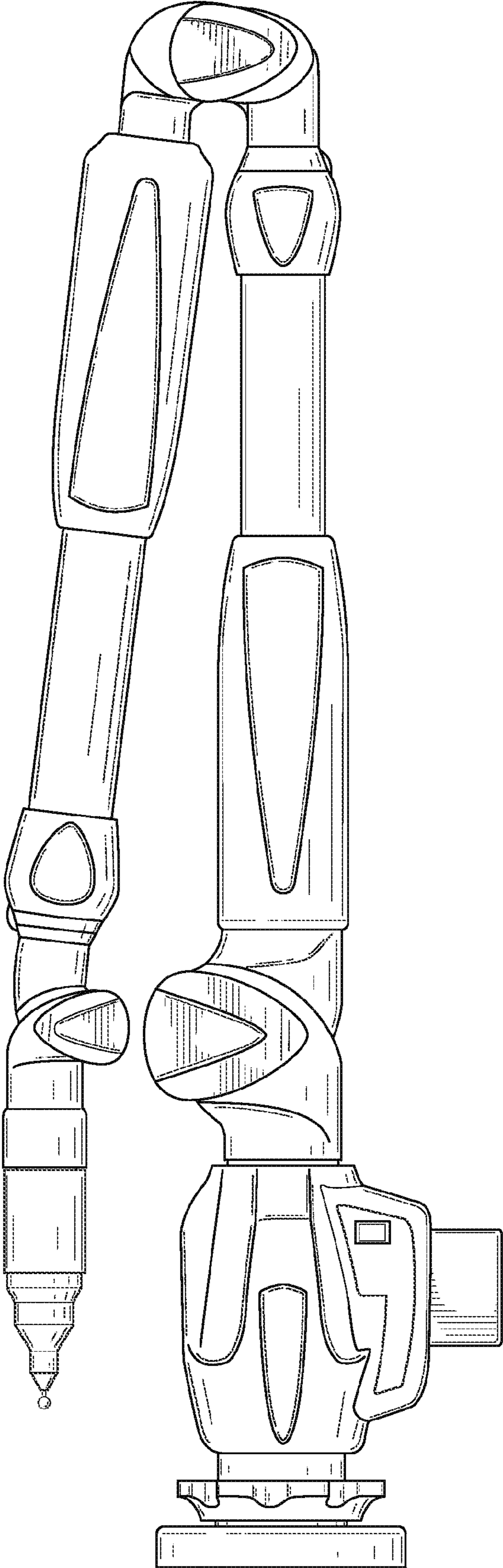


FIG. 11

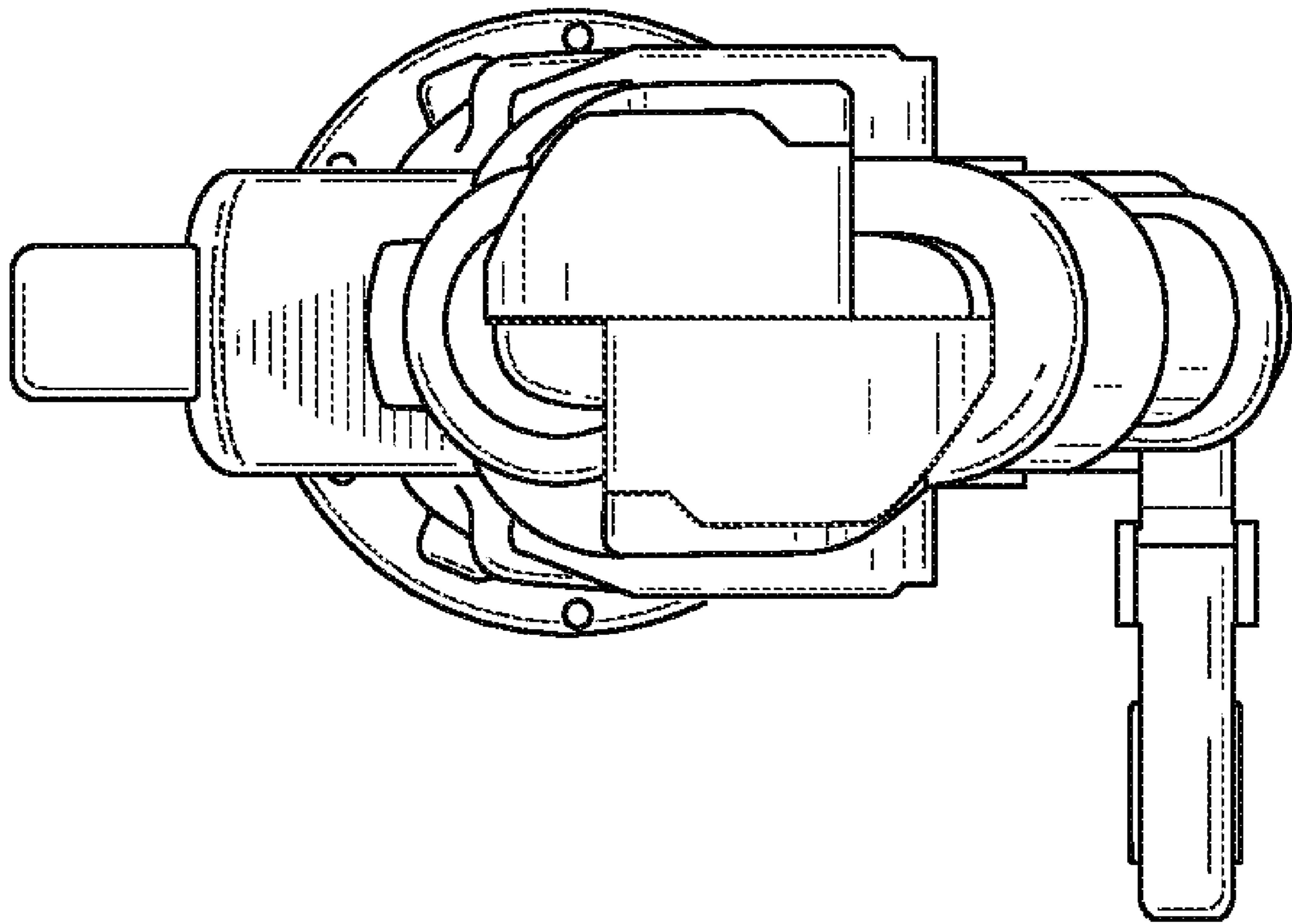


FIG. 12

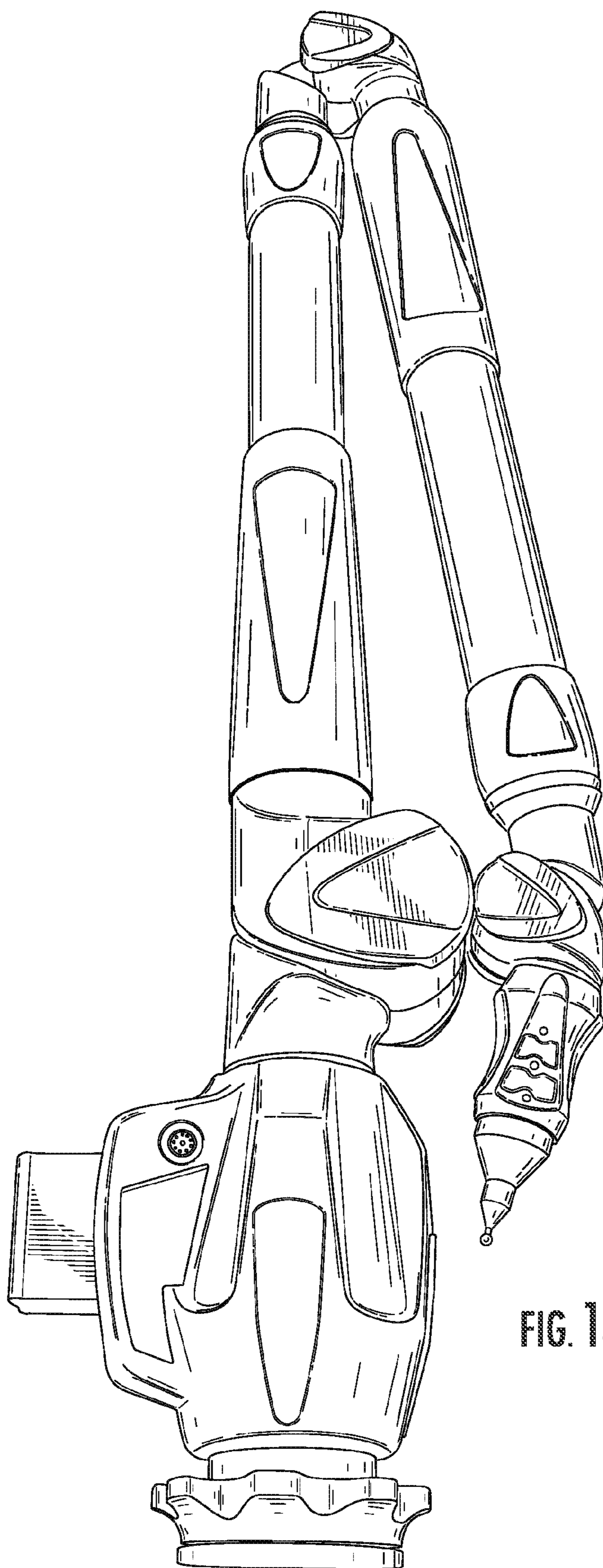


FIG. 13

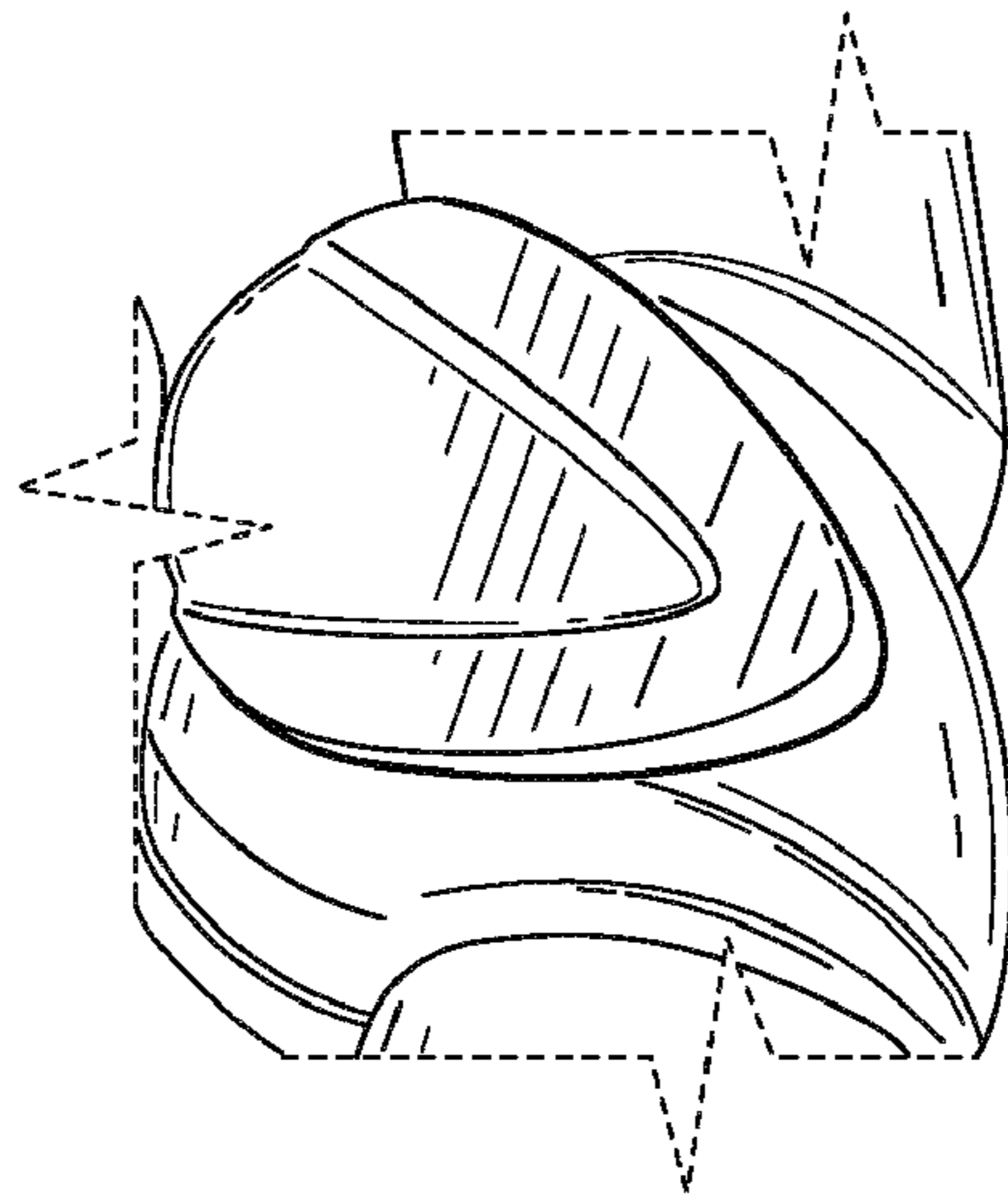


FIG. 14

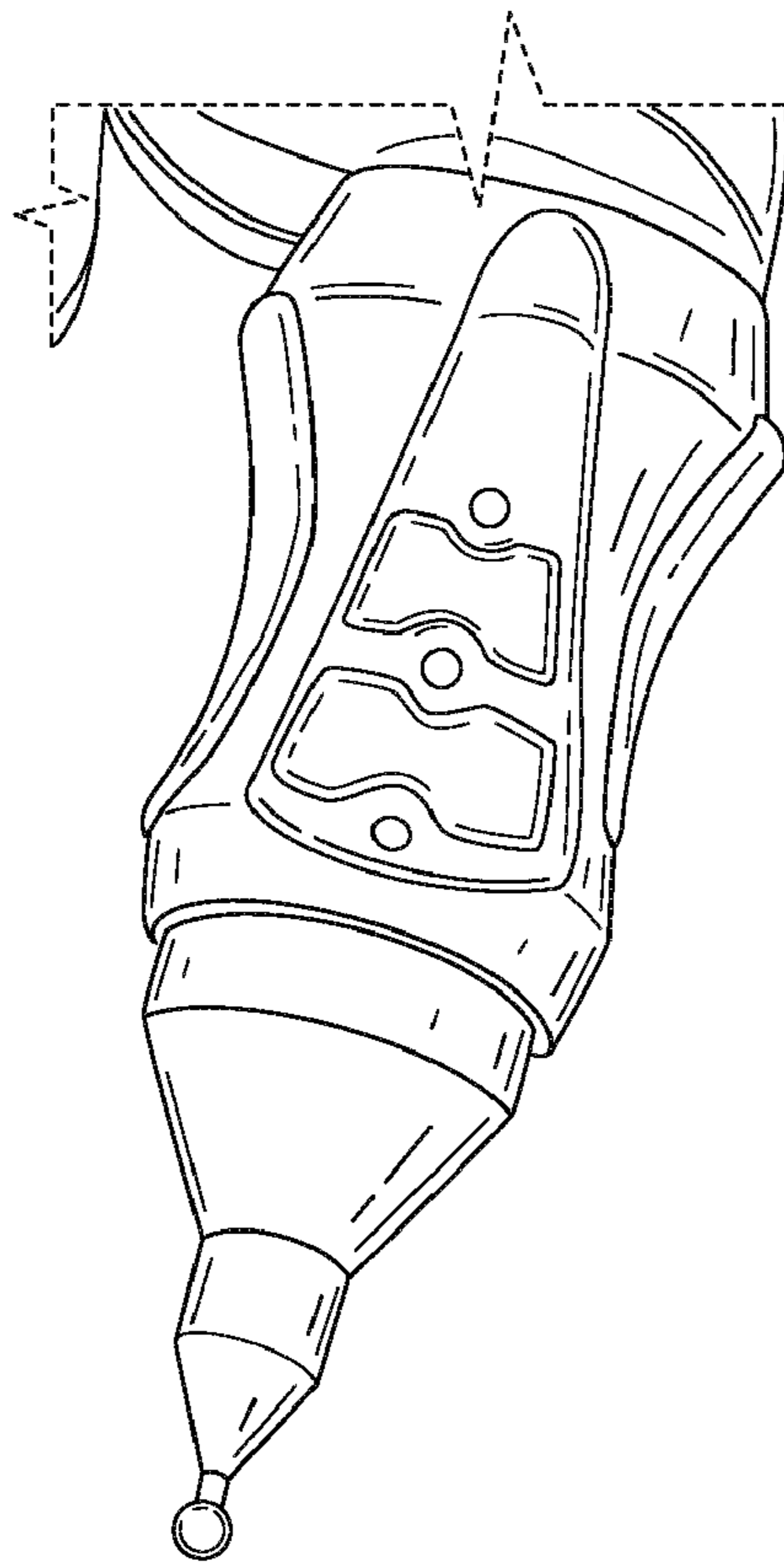


FIG. 15

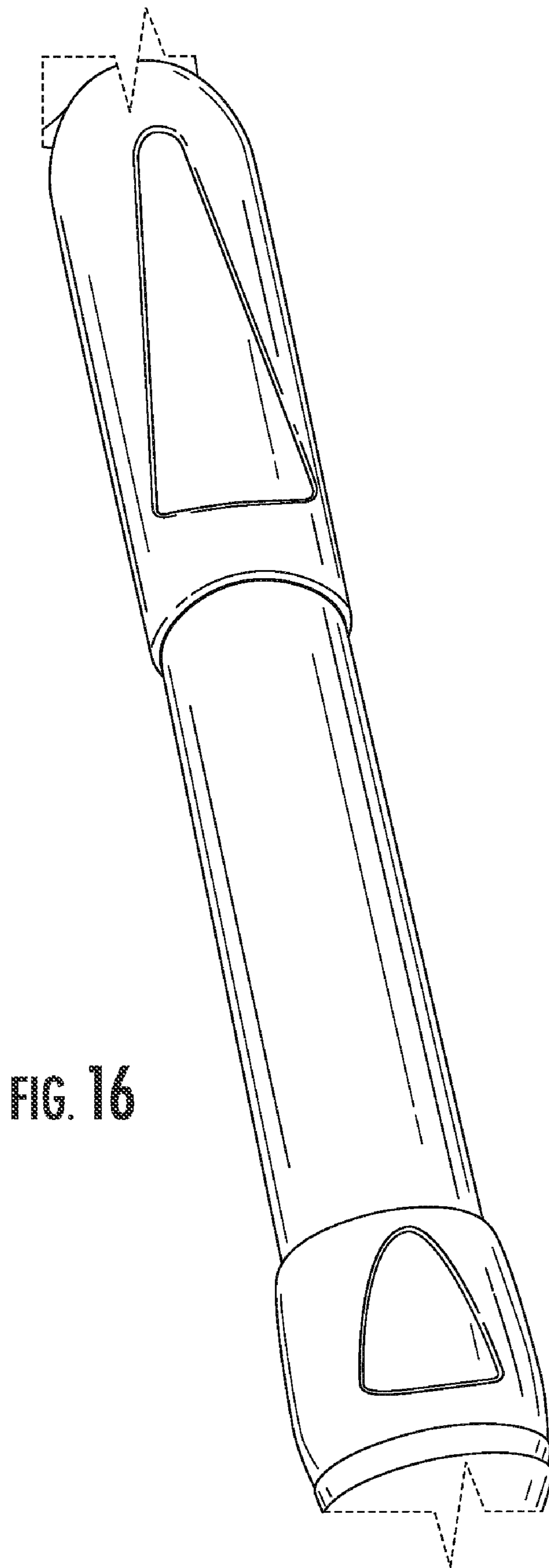
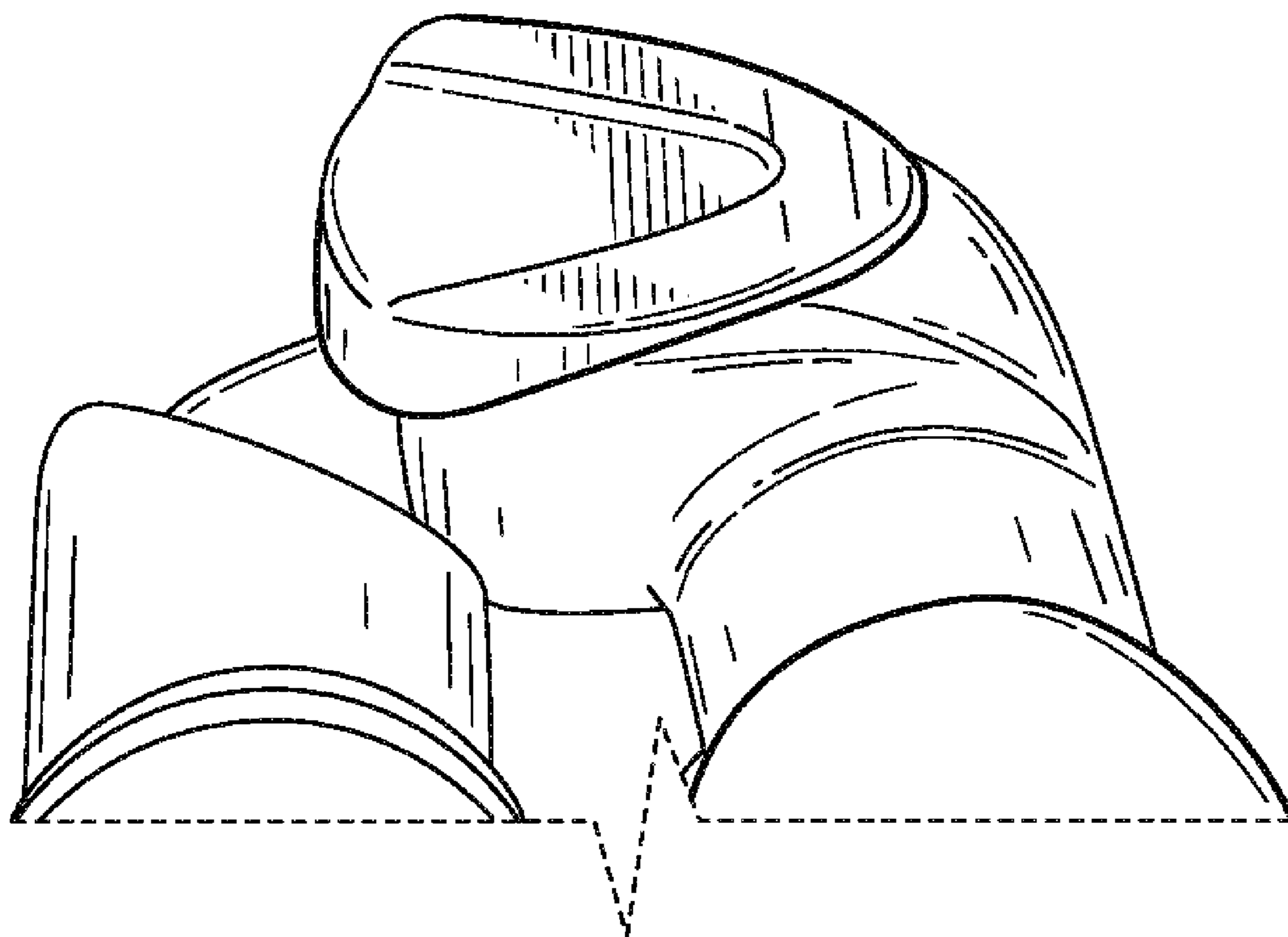


FIG. 16



**FIG. 17**



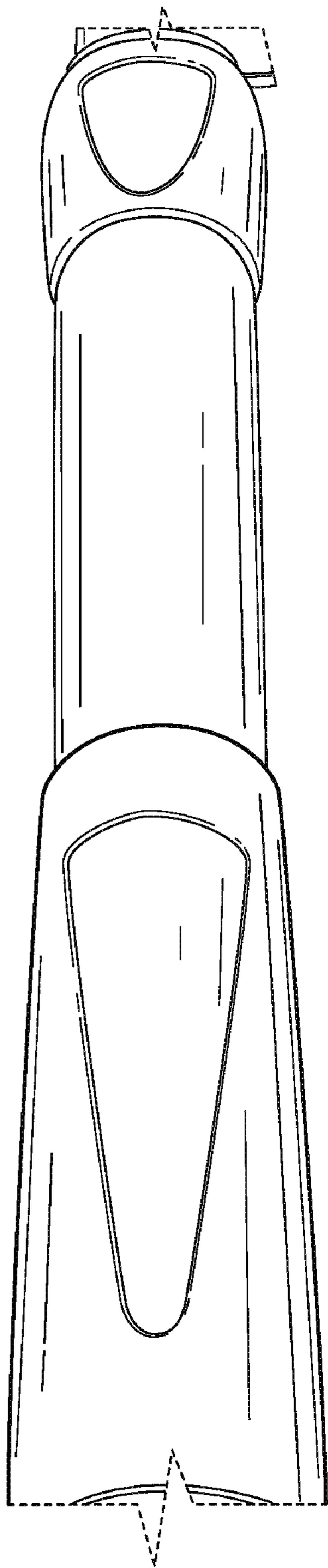


FIG. 18

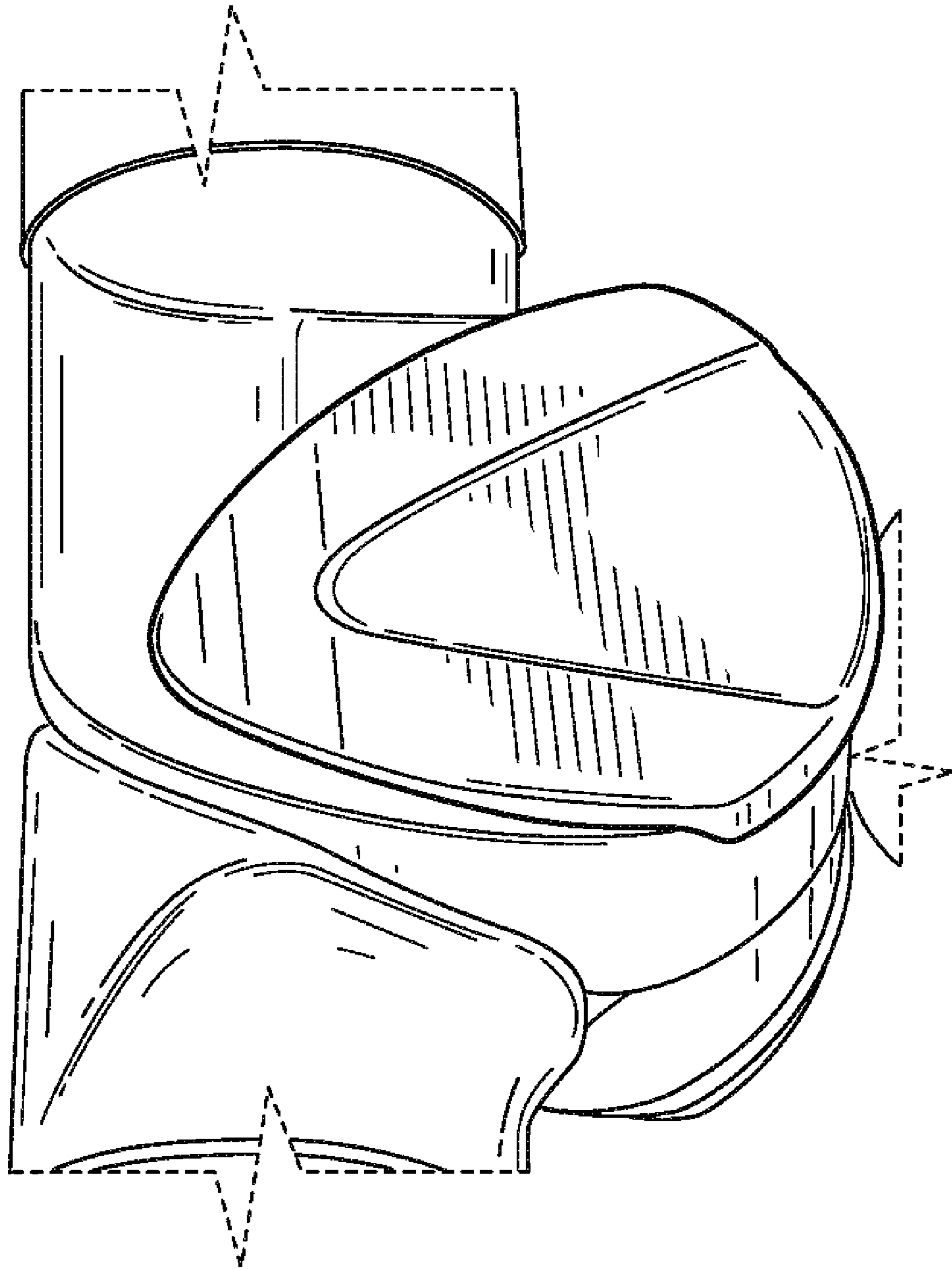


FIG. 19

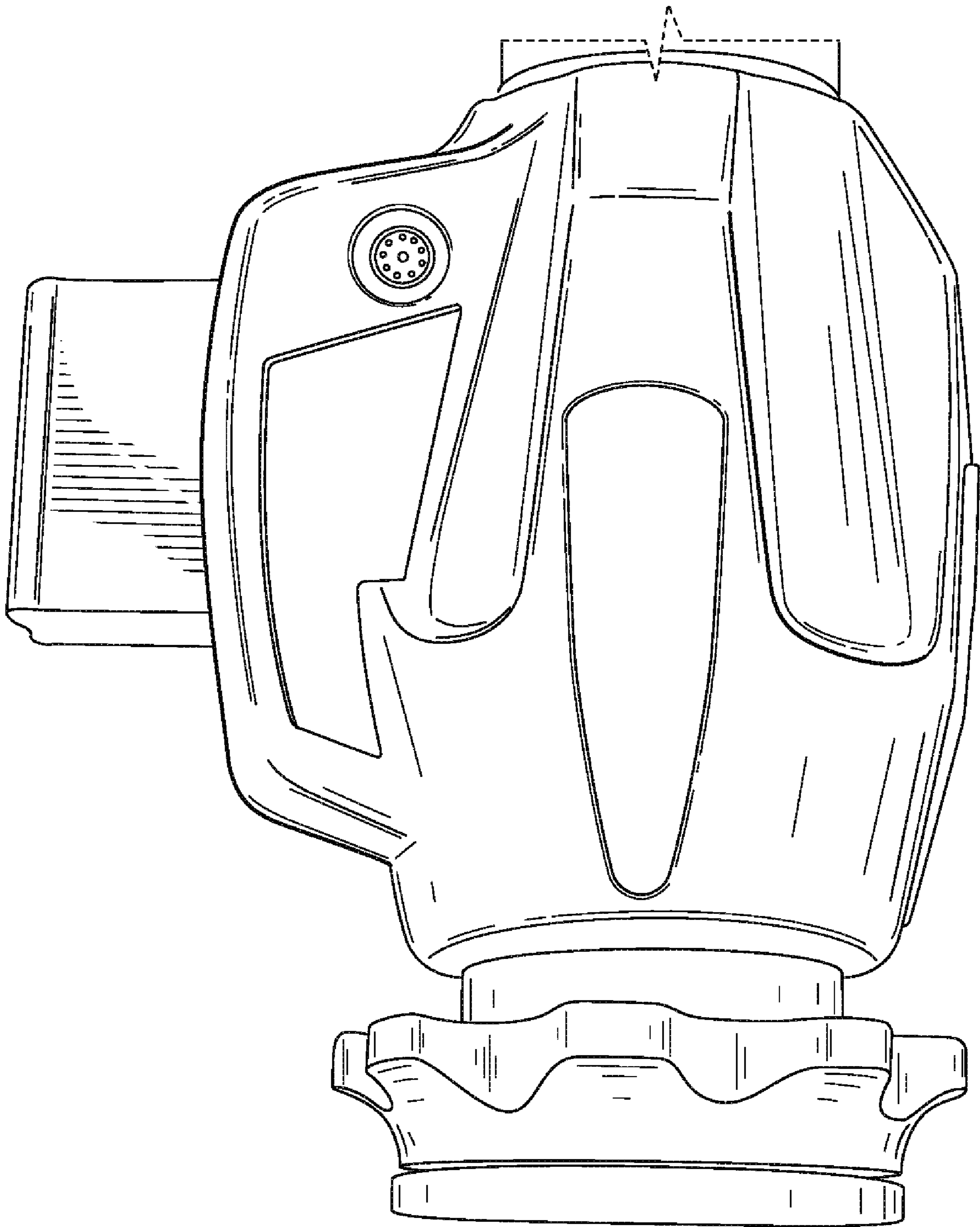


FIG. 20