



US00D607349S

(12) **United States Design Patent**  
**Vaughan et al.**

(10) **Patent No.:** **US D607,349 S**  
(45) **Date of Patent:** **\*\* Jan. 5, 2010**

(54) **SENSOR AND LED ENCLOSURE**

(75) Inventors: **Brooks Vaughan**, Houston, TX (US);  
**Allen T. Morrison**, Tomball, TX (US);  
**Hoang Thanh Nguyen**, Houston, TX  
(US); **David A. Moore**, Tomball, TX  
(US); **Chris F. Felcman**, Spring, TX  
(US)

(73) Assignee: **Hewlett-Packard Development  
Company, L.P.**, Houston, TX (US)

(\*\*) Term: **14 Years**

(21) Appl. No.: **29/326,971**

(22) Filed: **Oct. 28, 2008**

(51) **LOC (9) Cl.** ..... **10-04**

(52) **U.S. Cl.** ..... **D10/57**

(58) **Field of Classification Search** ..... D10/46,  
D10/57; 374/120, 121, 132, 152, 153, 208  
See application file for complete search history.

(56) **References Cited**

**U.S. PATENT DOCUMENTS**

D356,511 S \* 3/1995 Zeutzus ..... D10/49

7,104,685 B2 \* 9/2006 Hanzawa et al. .... 374/208  
D560,126 S \* 1/2008 Frake et al. .... D10/57  
D586,243 S \* 2/2009 Park ..... D10/57  
D597,423 S \* 8/2009 Park ..... D10/57  
7,600,914 B2 \* 10/2009 Bronnert ..... 374/208

\* cited by examiner

*Primary Examiner*—Antoine D Davis

(57) **CLAIM**

The ornamental design for a sensor and LED enclosure, substantially as shown and described.

**DESCRIPTION**

FIG. 1 is a perspective view of a sensor and LED enclosure;

FIG. 2 is a top view thereof;

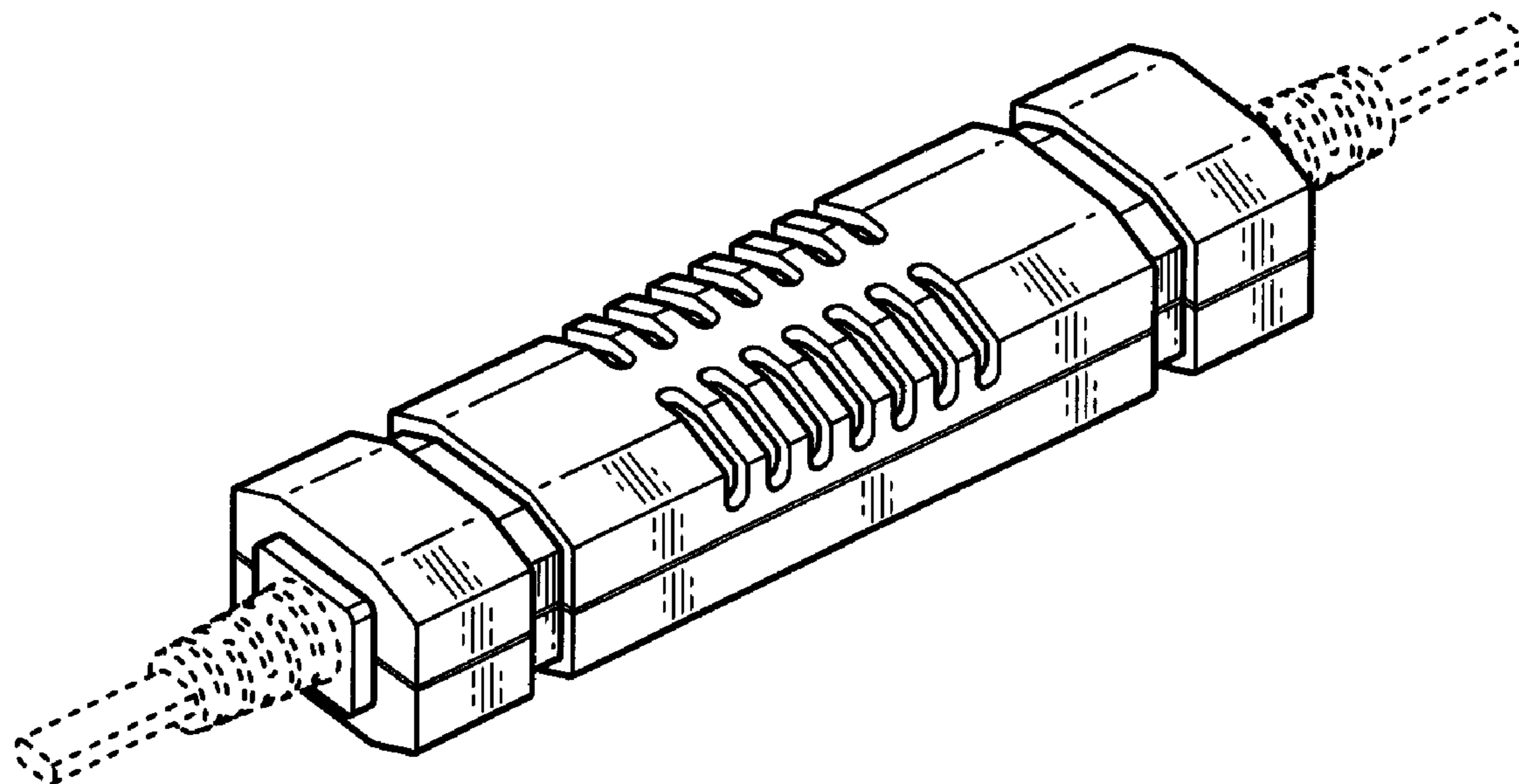
FIG. 3 is a bottom view thereof;

FIG. 4 is a front view thereof; the rear side being a mirror image; and,

FIG. 5 is a right side view thereof, the left side being a mirror image.

The broken lines are for purposes of illustration only and form no part of the claimed design.

**1 Claim, 2 Drawing Sheets**



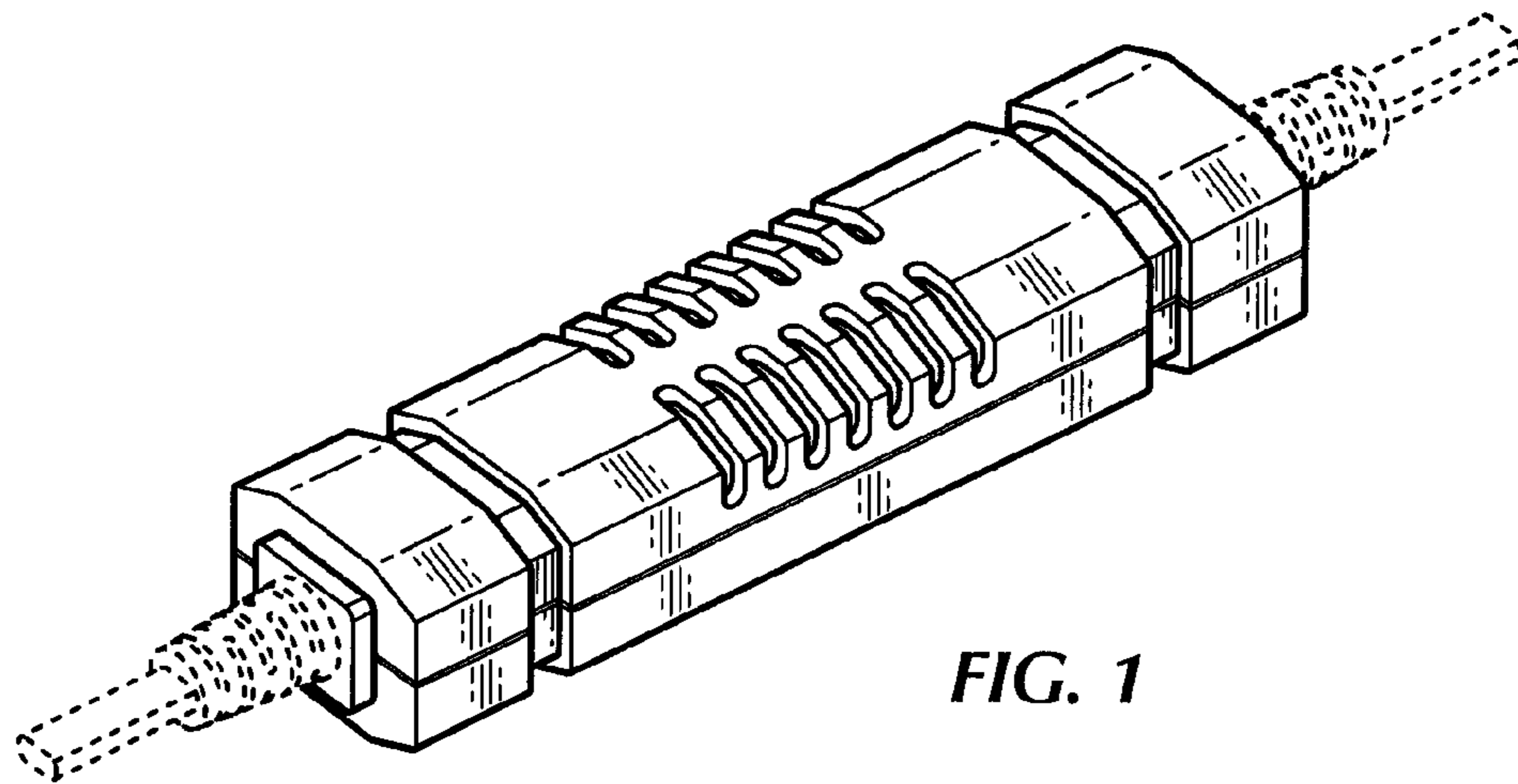


FIG. 1

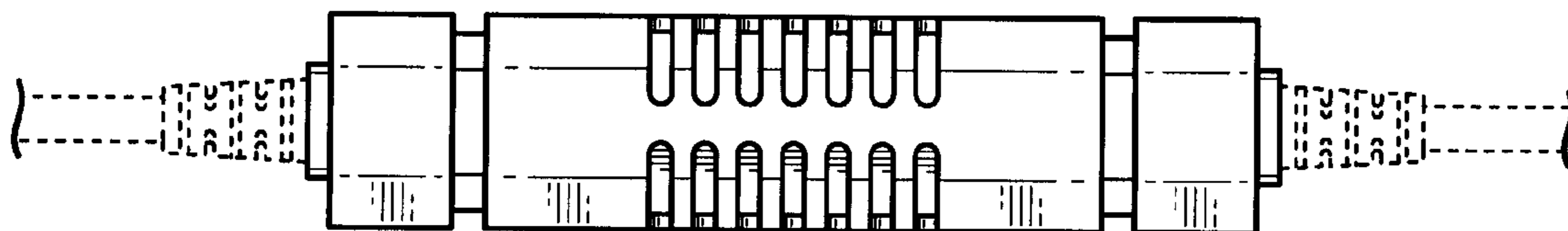


FIG. 2

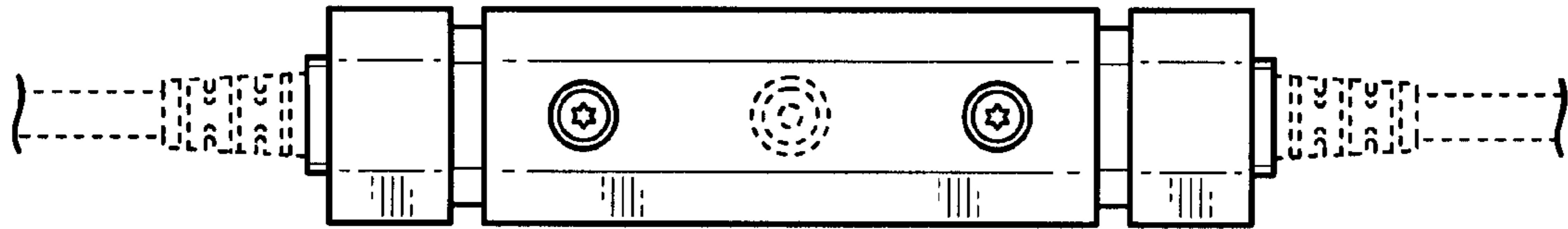


FIG. 3

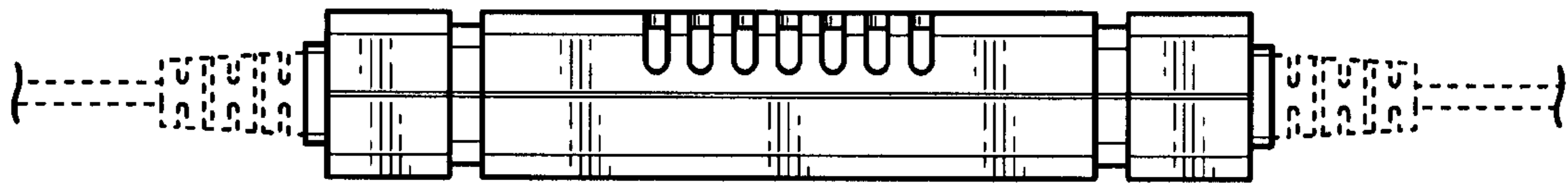


FIG. 4

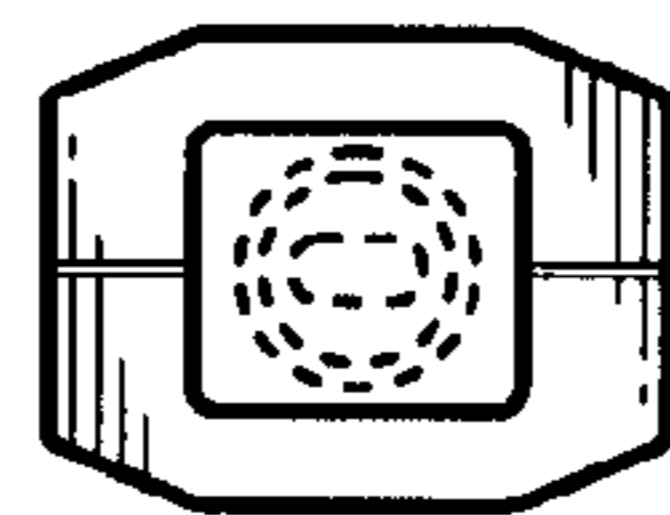


FIG. 5