



US00D607348S

(12) **United States Design Patent**
Hosoda et al.

(10) **Patent No.:** **US D607,348 S**
(45) **Date of Patent:** **** Jan. 5, 2010**

(54) **TRANSCIVER FOR CONTROLLER WITH
SENSOR FOR AIR CLEANER**

Primary Examiner—Antoine D Davis
(74) *Attorney, Agent, or Firm*—Capitol City TechLaw

(75) Inventors: **Toru Hosoda**, Ayabe (JP); **Kohei Tomita**, Kyoto (JP); **Takeshi Ashida**, Himeji (JP); **Hidetomo Ohtsuki**, Fukuchiyama (JP); **Koyuru Nakano**, Nara (JP)

(57) **CLAIM**

The ornamental design for a transceiver for controller with sensor for air cleaner, as shown and described.

(73) Assignee: **OMRON Corporation**, Kyoto (JP)

DESCRIPTION

(**) Term: **14 Years**

FIG. 1 is a front, top and right side perspective view of a transceiver for controller with sensor for air cleaner showing our new design;

(21) Appl. No.: **29/337,464**

FIG. 2 is a rear, top and left side perspective view thereof;

(22) Filed: **May 21, 2009**

FIG. 3 is a rear, bottom and left side perspective view thereof;

(30) **Foreign Application Priority Data**

Nov. 28, 2008 (JP) 2008-030582

FIG. 4 is a front elevational view thereof;

(51) **LOC (9) Cl.** **10-04**

FIG. 5 is a rear elevational view thereof;

(52) **U.S. Cl.** **D10/49**

FIG. 6 is a top plan view thereof;

(58) **Field of Classification Search** D10/49;
700/155, 177, 303

FIG. 7 is a bottom plan view thereof;

See application file for complete search history.

FIG. 8 is a right side elevational view thereof;

(56) **References Cited**

U.S. PATENT DOCUMENTS

D330,336 S * 10/1992 Baarman D10/49

FIG. 9 is a left side elevational view thereof;

FIG. 10 is a front, top and right side perspective view showing a condition in which an antenna is folded down toward the rear thereof; and,

FIG. 11 is a left side elevational view showing a condition in which the antenna is folded down toward the front thereof.

* cited by examiner

1 Claim, 11 Drawing Sheets

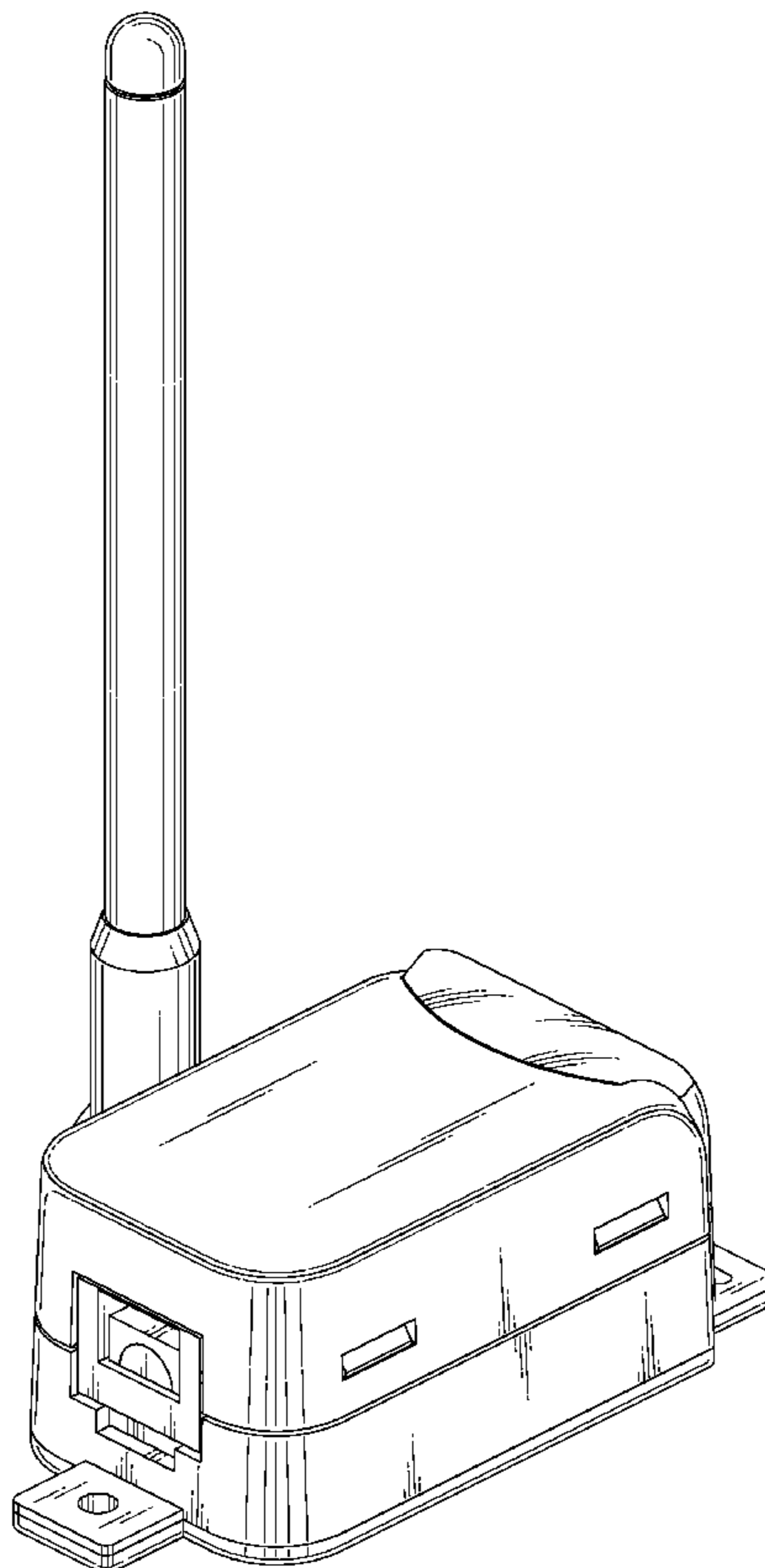


FIG. 1

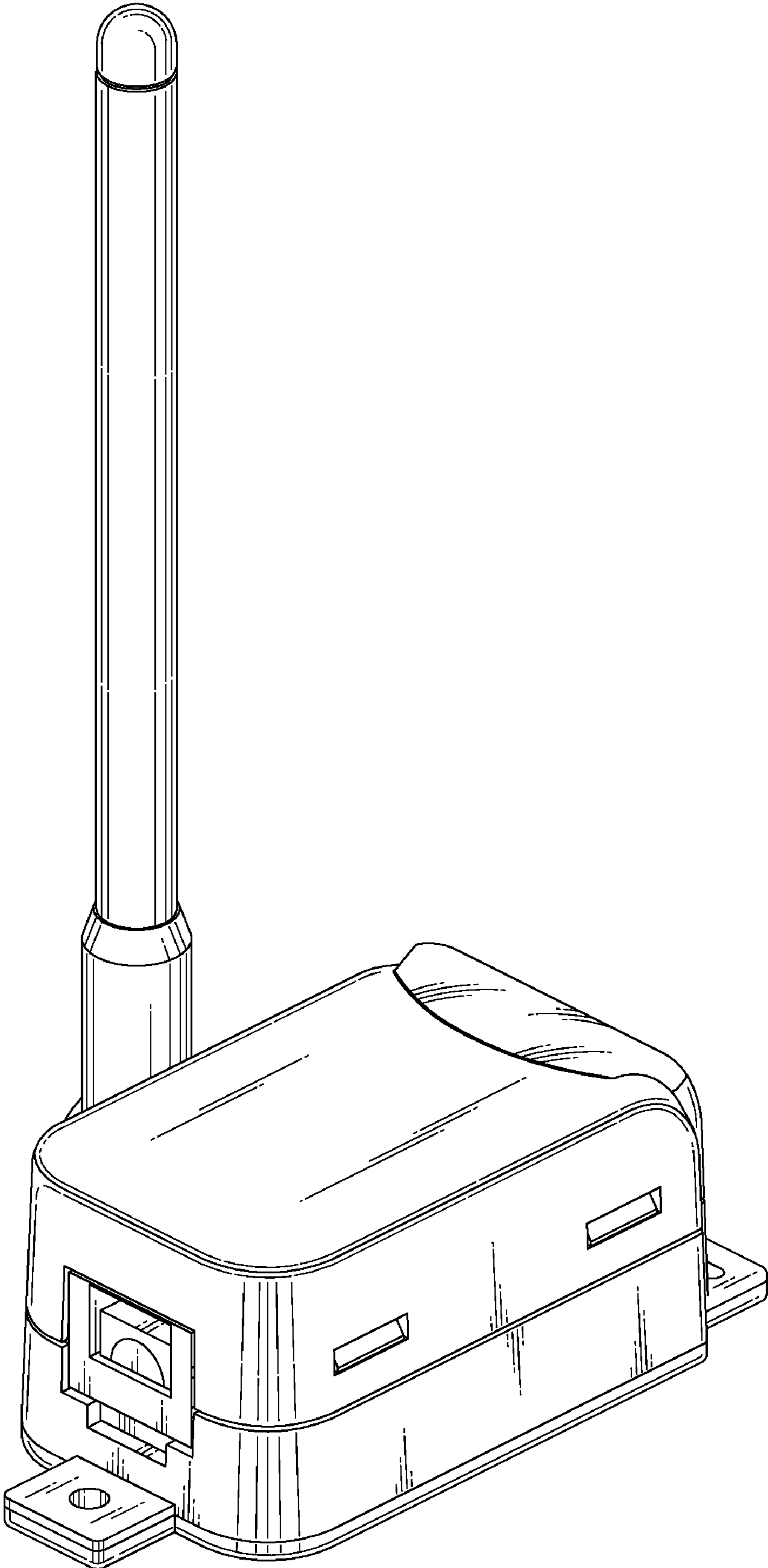


FIG.2

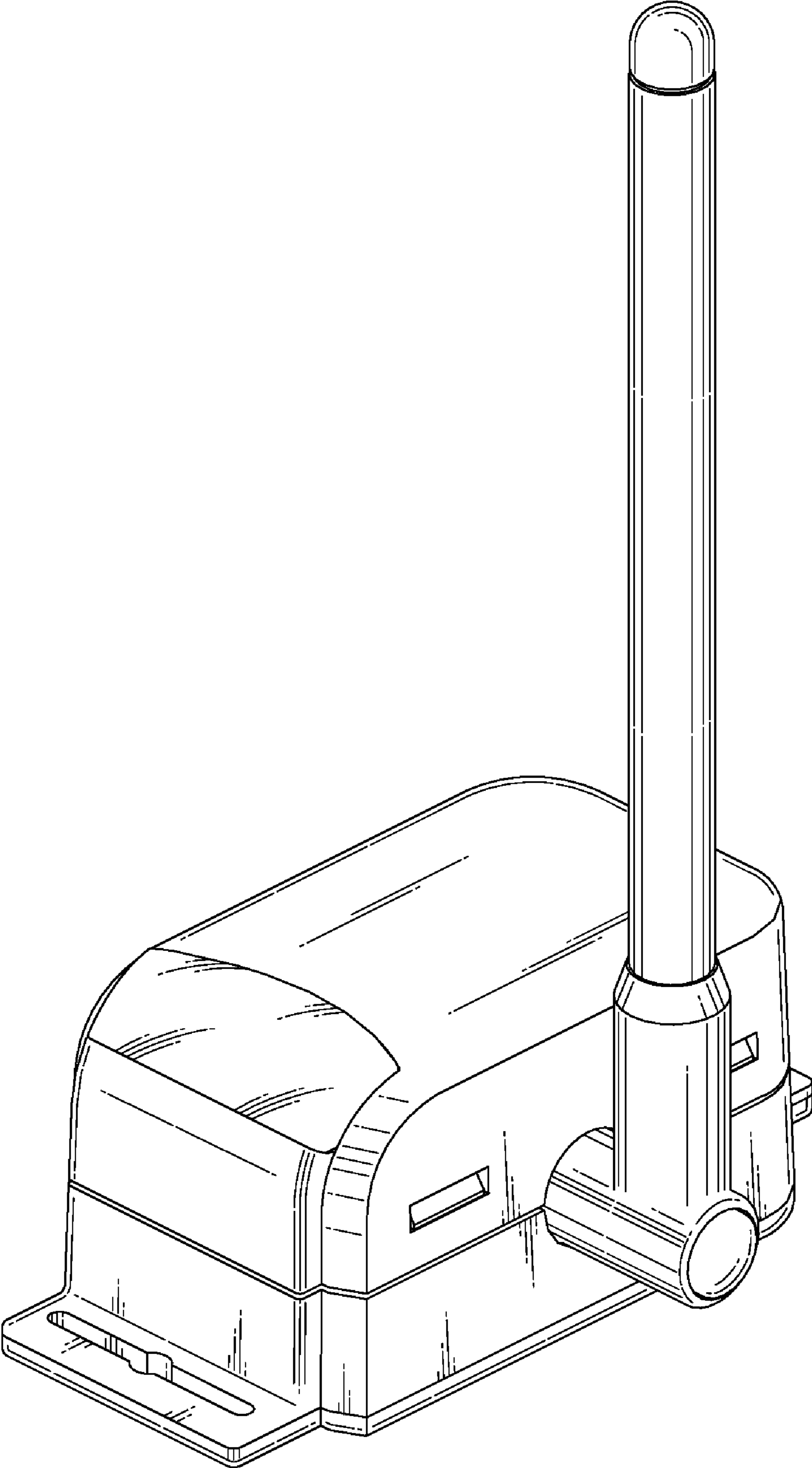


FIG.3

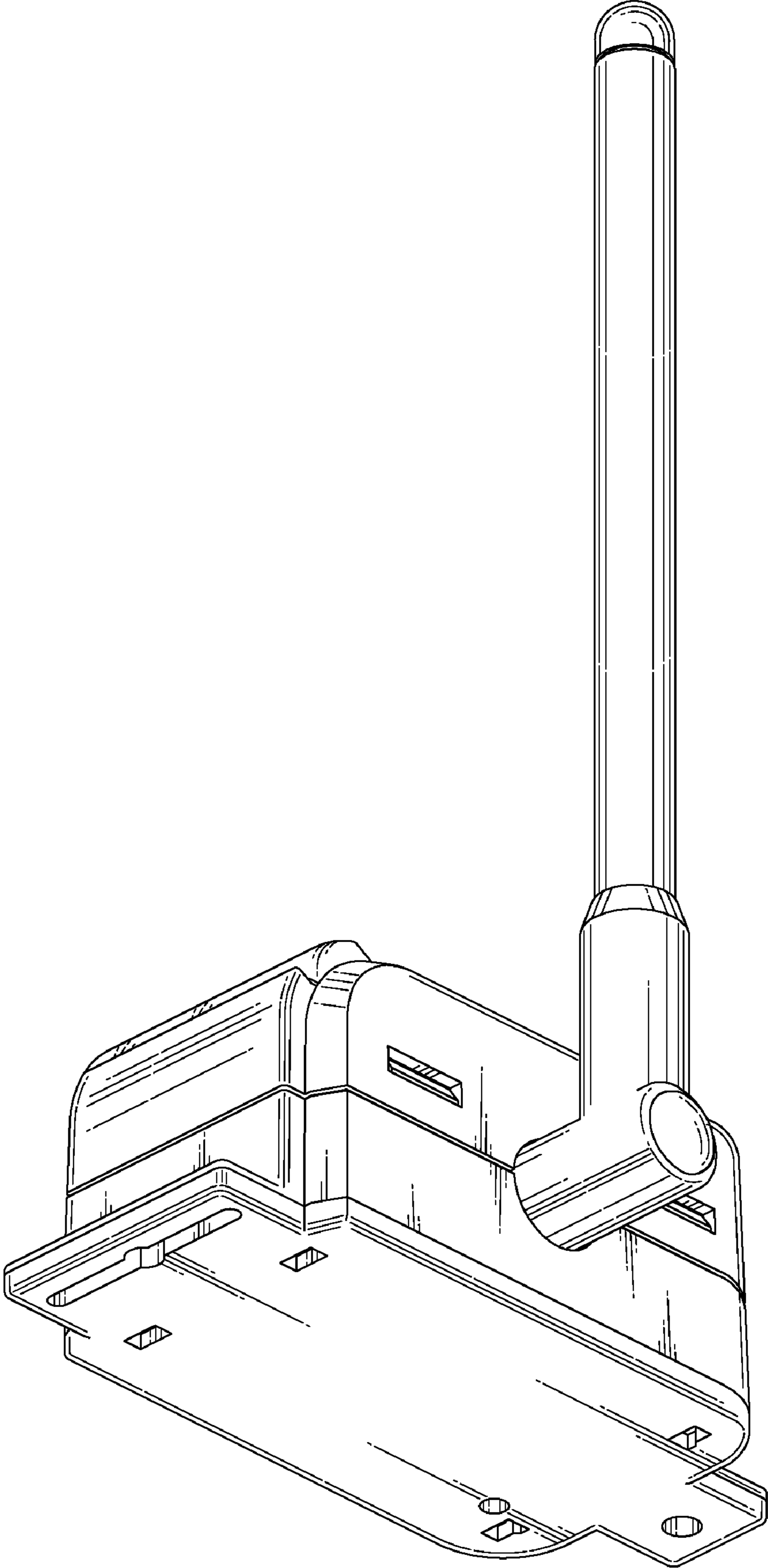


FIG.4

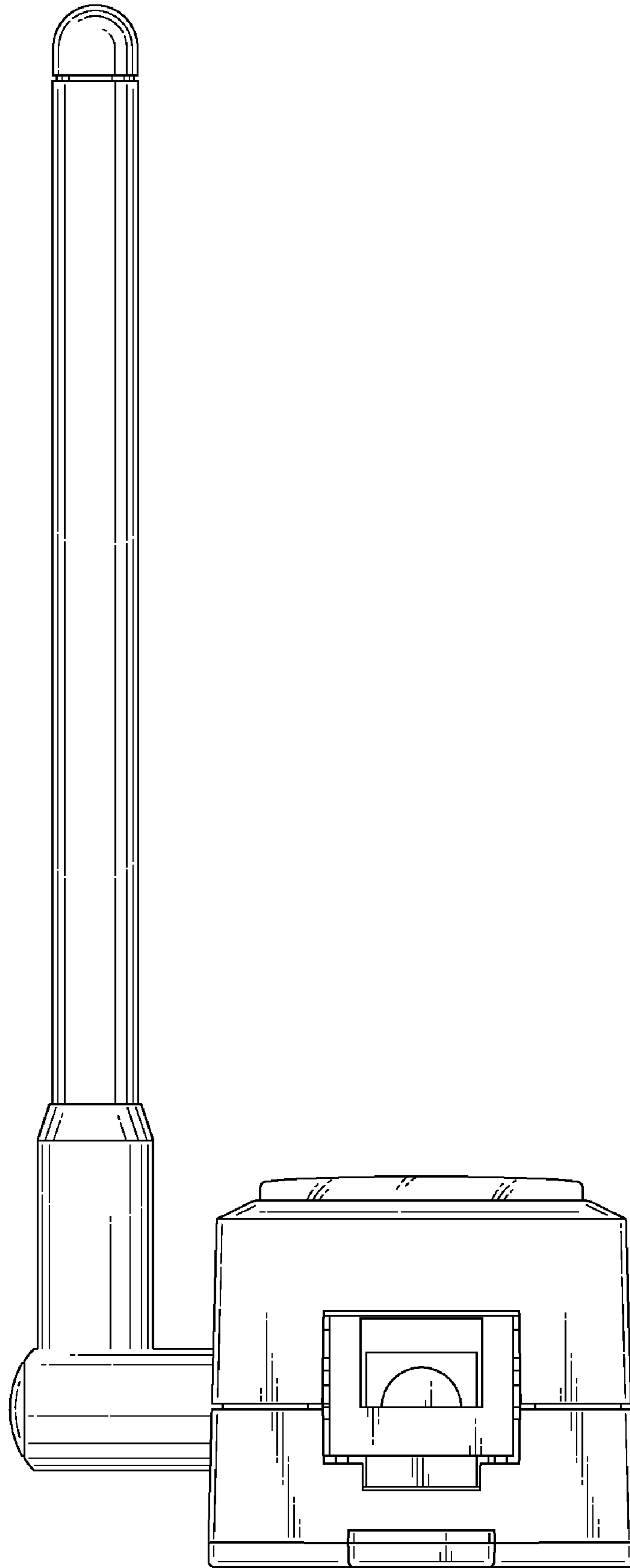


FIG.5

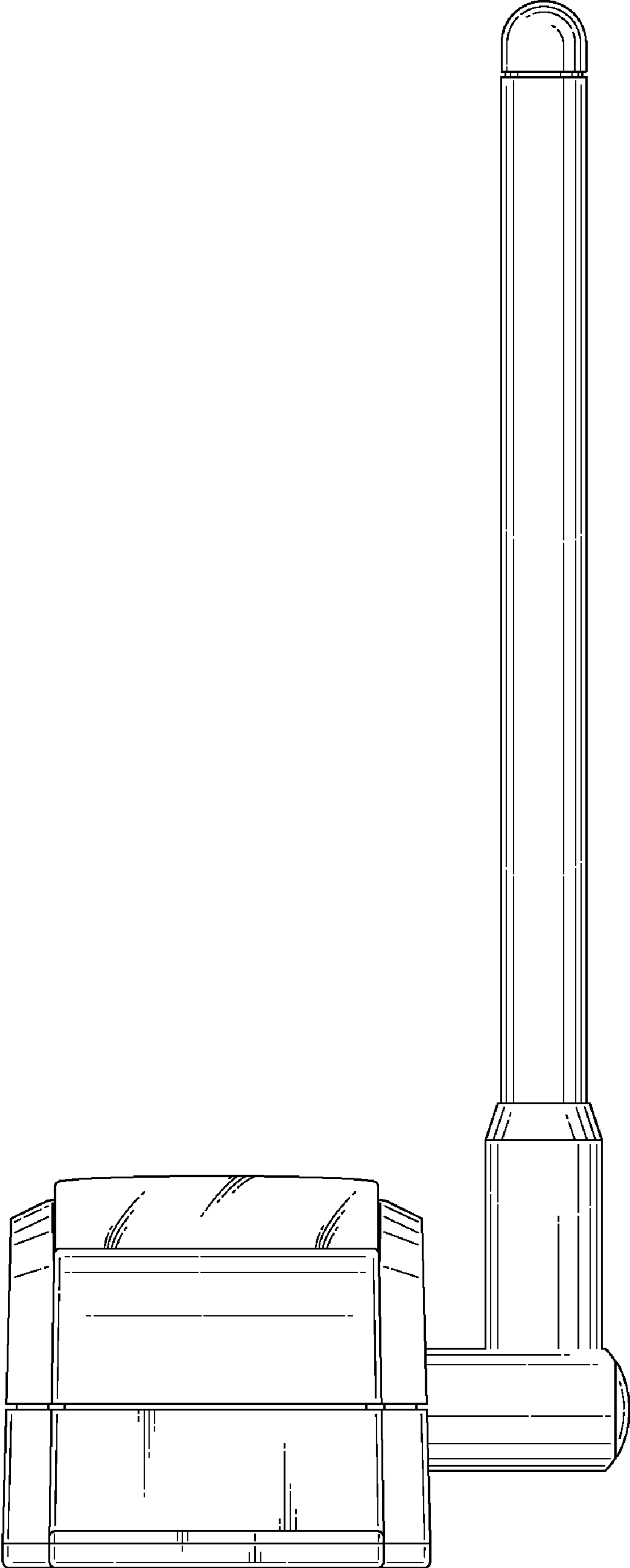


FIG.6

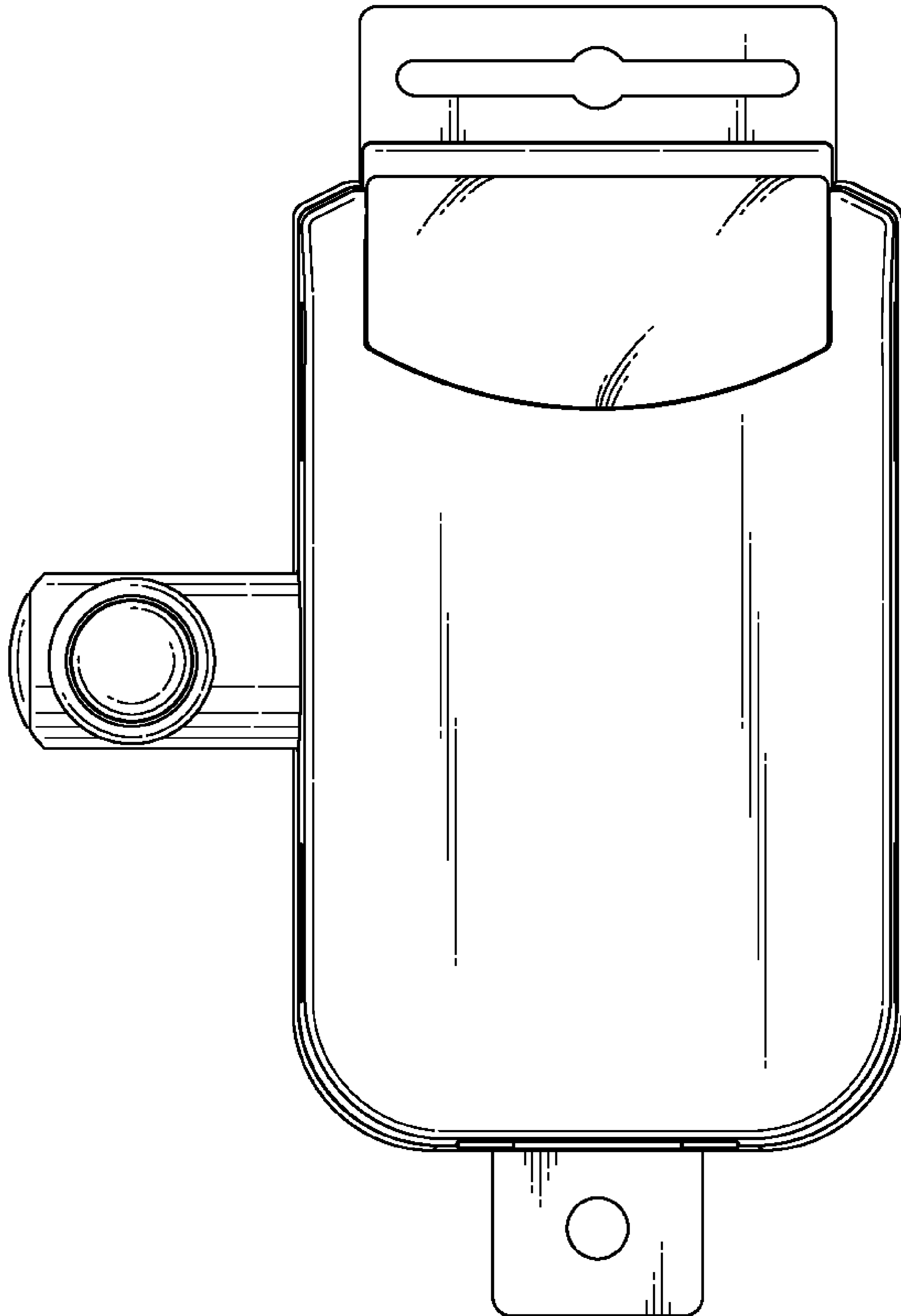


FIG. 7

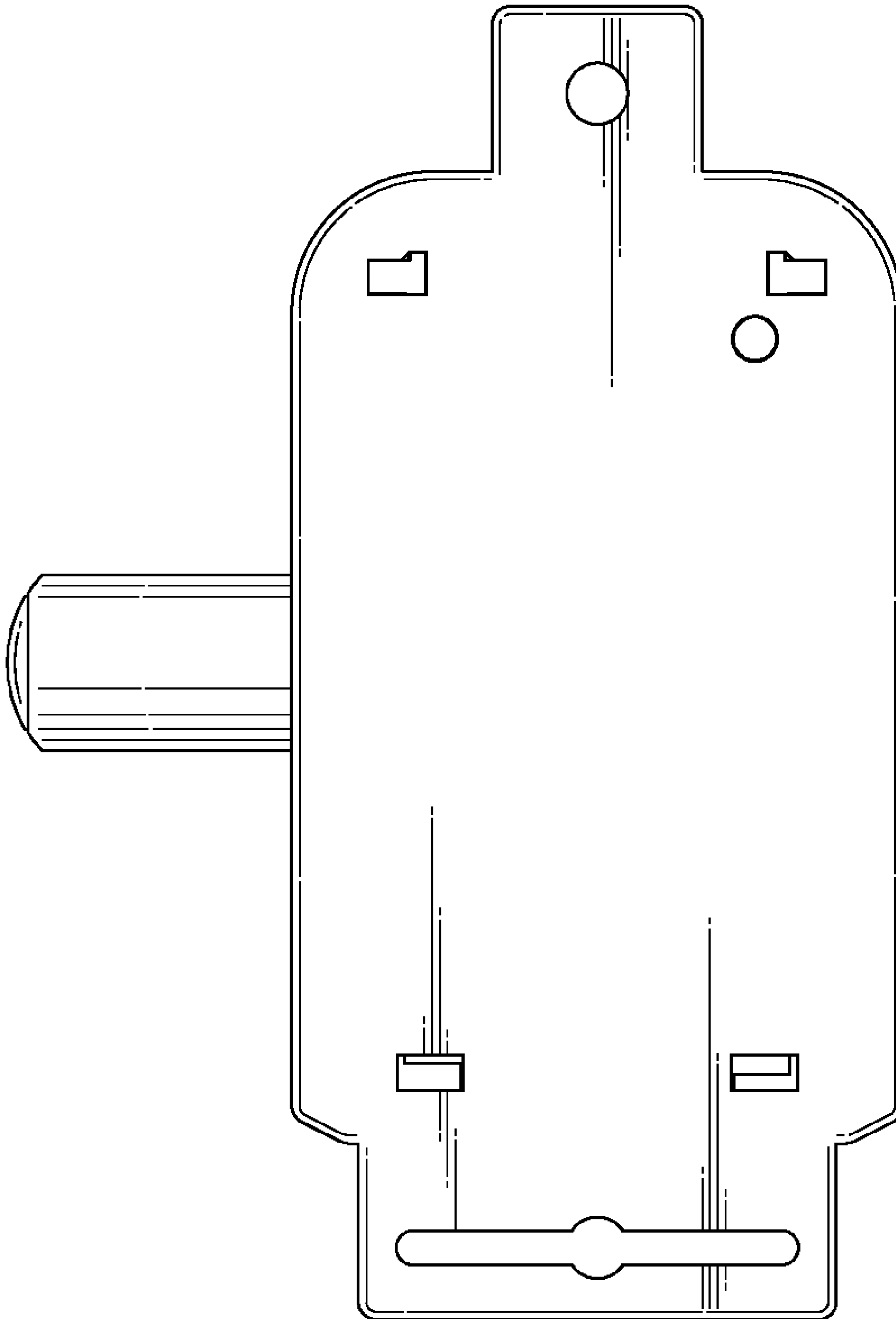


FIG.8

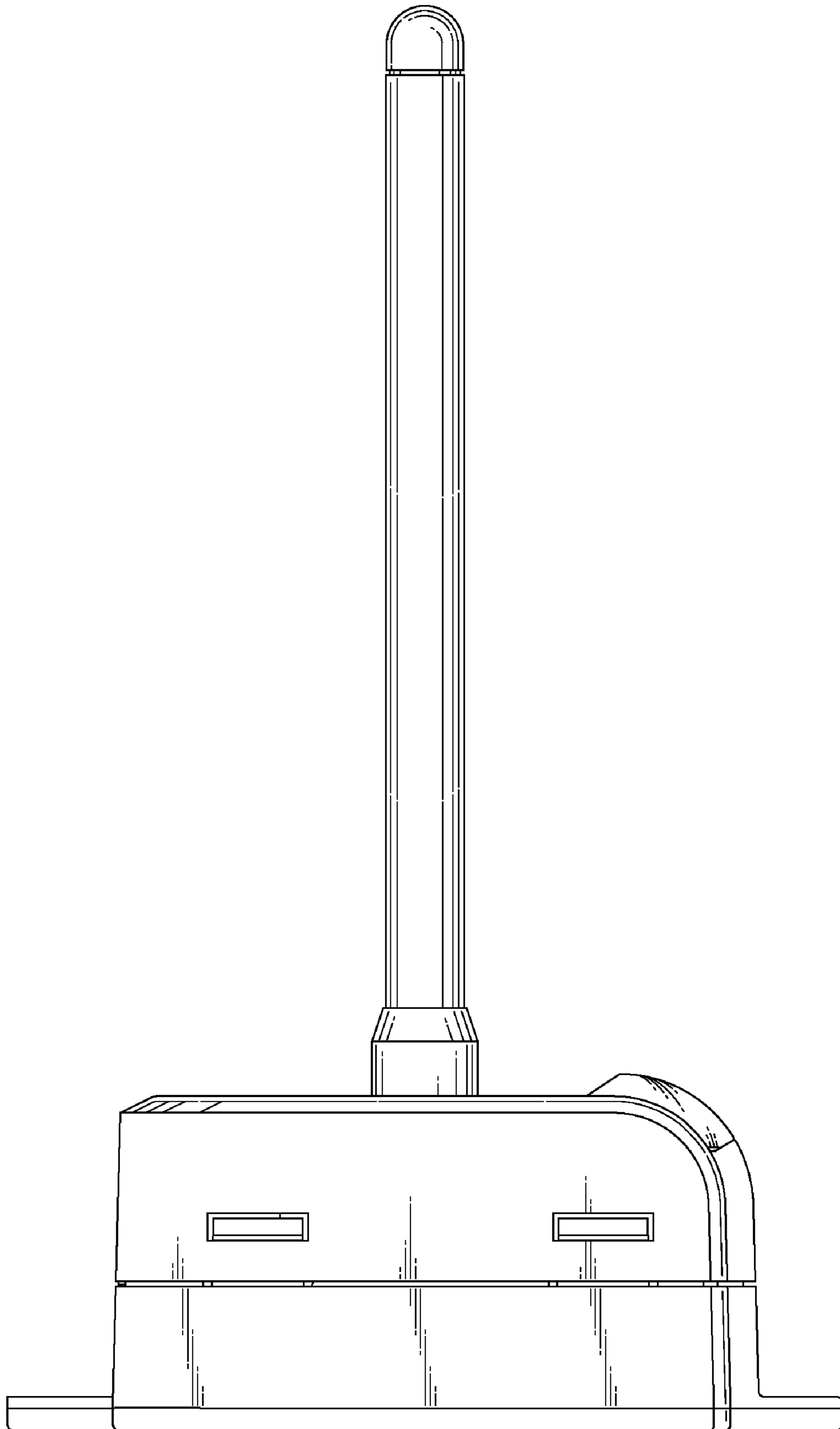


FIG.9

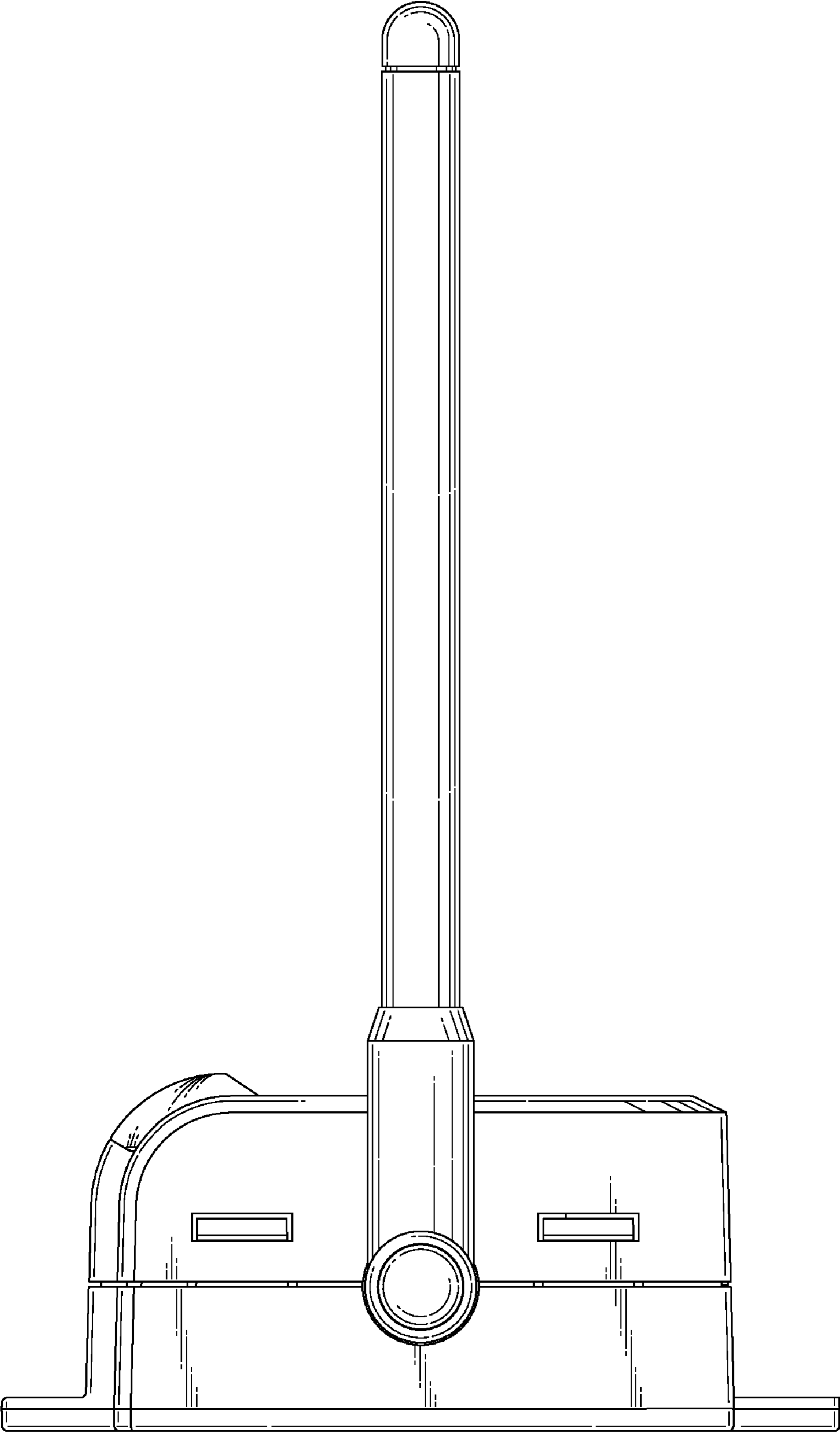


FIG. 10

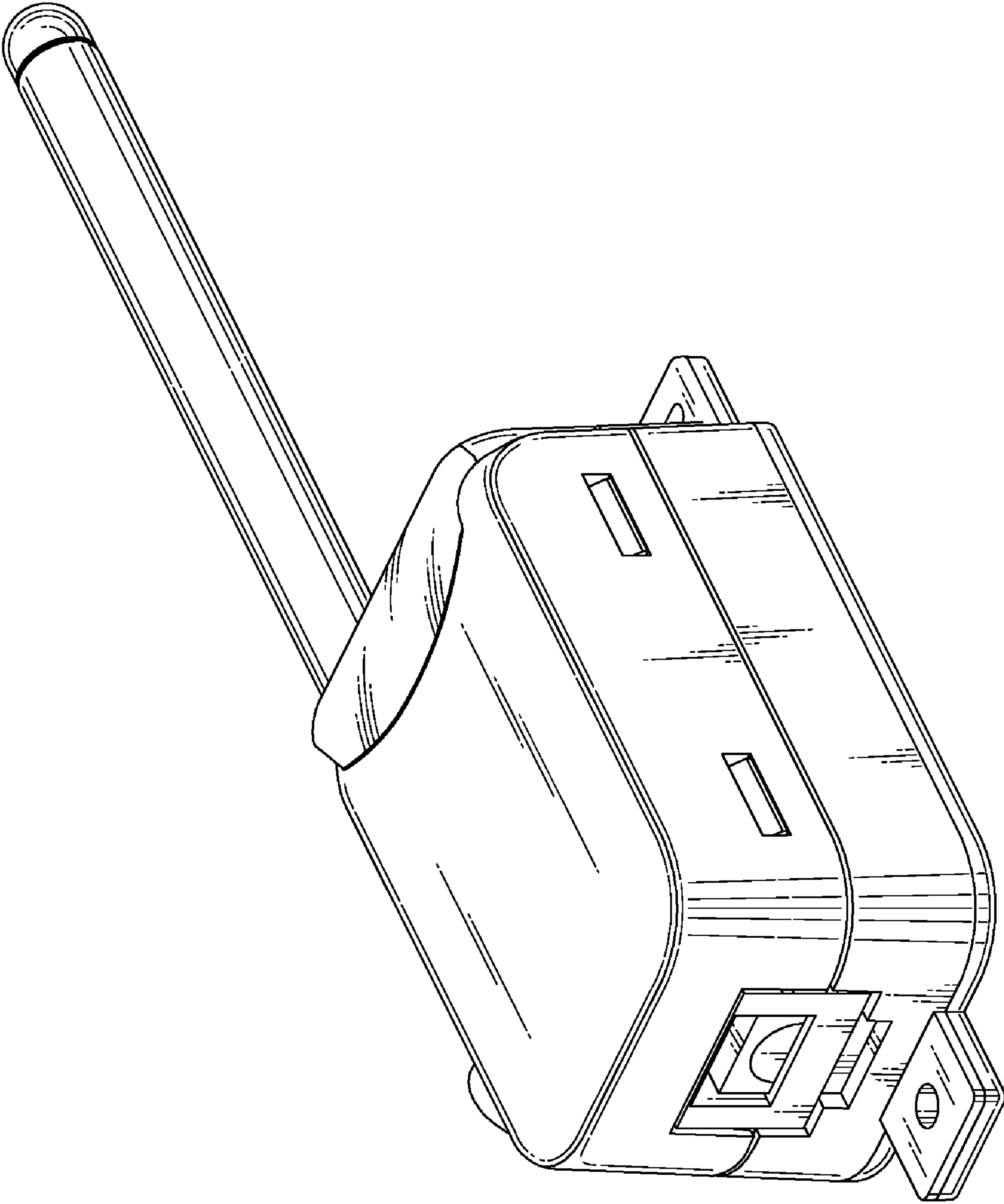


FIG.11

