



US00D607338S

(12) **United States Design Patent**  
**Zoppas**

(10) **Patent No.:** **US D607,338 S**  
(45) **Date of Patent:** **\*\* Jan. 5, 2010**

(54) **BOTTLE**

(75) Inventor: **Enrico Zoppas**, Scorze' (IT)

(73) Assignee: **Acqua Minerale San Benedetto S.p.A.**,  
Scorze' (IT)

(\*\*) Term: **14 Years**

(21) Appl. No.: **29/335,150**

(22) Filed: **Apr. 9, 2009**

**Related U.S. Application Data**

(62) Division of application No. 29/280,152, filed on May 17, 2007.

(30) **Foreign Application Priority Data**

Nov. 17, 2006 (WO) ..... DM/068 770

(51) **LOC (9) Cl.** ..... **09-01**

(52) **U.S. Cl.** ..... **D9/541**; D9/542; D9/560;  
D9/570; D9/574

(58) **Field of Classification Search** ..... D9/516,  
D9/528, 530, 531, 534, 537-539, 541-543,  
D9/549, 551-560, 563, 564, 566-571; 215/12.1-12.2,  
215/13.1, 381-385, 396-398  
See application file for complete search history.

(56) **References Cited**

**U.S. PATENT DOCUMENTS**

D268,324 S *	3/1983	Gautier	.....	D9/560
D300,511 S *	4/1989	Cramer	.....	D9/551
D318,229 S *	7/1991	Umetsu	.....	D9/531
D340,190 S *	10/1993	Skidmore et al.	.....	D9/542
D374,826 S *	10/1996	Mackinson et al.	.....	D9/542
D397,941 S *	9/1998	Lauth	.....	D9/502
D423,940 S *	5/2000	Chimetto	.....	D9/541
D424,948 S *	5/2000	Ullmo	.....	D9/540
D435,453 S *	12/2000	Krishnakumar et al.	.....	D9/537
D436,043 S *	1/2001	Krishnakumar et al.	.....	D9/537
D441,295 S *	5/2001	Krich	.....	D9/542
D443,207 S *	6/2001	Krishnakumar et al.	.....	D9/537
D443,827 S *	6/2001	Krishnakumar et al.	.....	D9/537

D453,686 S *	2/2002	Petursdottir	.....	D9/570
D467,507 S *	12/2002	Bryant et al.	.....	D9/570
D476,576 S *	7/2003	Hirst et al.	.....	D9/539
D503,341 S *	3/2005	Delmotte	.....	D9/538
D504,069 S *	4/2005	Gross et al.	.....	D9/538
D506,931 S *	7/2005	Delmotte	.....	D9/538
D531,910 S *	11/2006	Melrose	.....	D9/538
D545,684 S *	7/2007	DeMaso et al.	.....	D9/557
D547,667 S *	7/2007	DeMaso et al.	.....	D9/557
D554,996 S *	11/2007	Laupie et al.	.....	D9/500
D556,594 S *	12/2007	Webb	.....	D9/556
D559,695 S *	1/2008	Lesueur	.....	D9/538
D576,497 S *	9/2008	Ozer	.....	D9/556
D580,271 S *	11/2008	Tsai	.....	D9/542
D582,781 S *	12/2008	Miller	.....	D9/538
D594,751 S *	6/2009	Bourne	.....	D9/541
D597,849 S *	8/2009	Aoyagi et al.	.....	D9/566
2008/0073315 A1 *	3/2008	Hermel et al.	.....	214/379
2008/0087628 A1 *	4/2008	Bangi et al.	.....	215/384
2008/0223816 A1 *	9/2008	Darr et al.	.....	215/382
2008/0277374 A1 *	11/2008	Miura	.....	215/384

\* cited by examiner

*Primary Examiner*—Stella M Reid

*Assistant Examiner*—Keli L Hill

(74) *Attorney, Agent, or Firm*—Hogan & Hartson LLP

(57) **CLAIM**

The ornamental design of a bottle, as shown and described.

**DESCRIPTION**

FIG. 1 is a first side view of the bottle;

FIG. 2 is a second side view of the bottle;

FIG. 3 is a bottom plan view of the bottle;

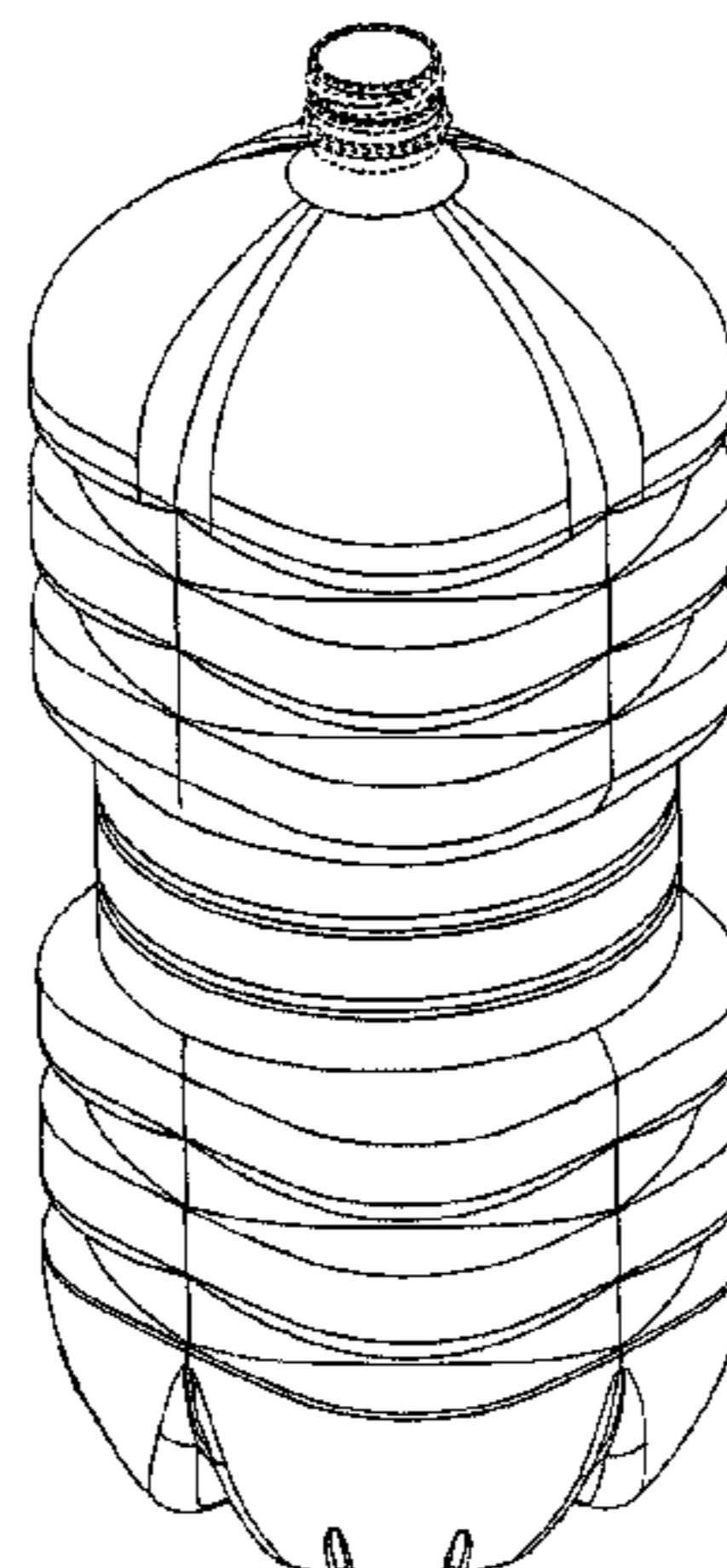
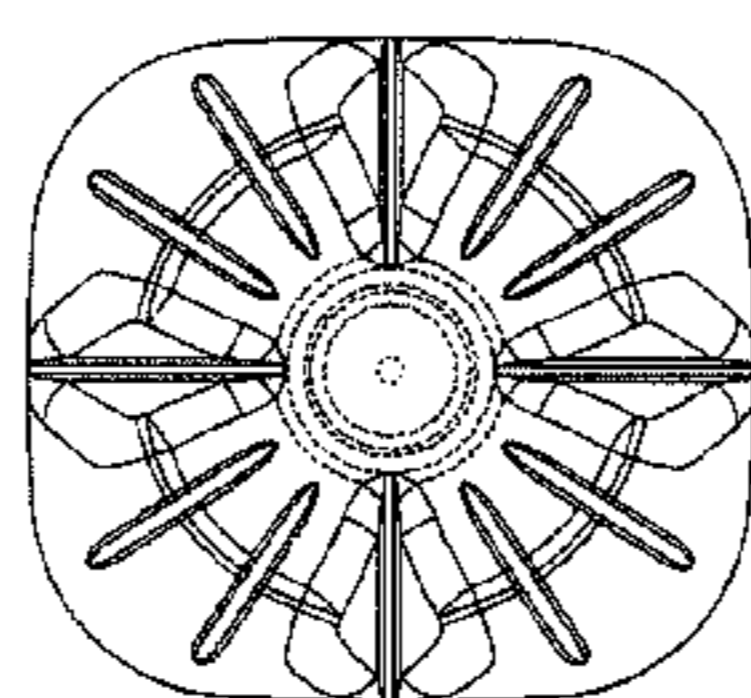
FIG. 4 is a top plan view of the bottle;

FIG. 5 is a first side view in perspective of the bottle; and,

FIG. 6 is a second side view in perspective of the bottle, wherein the broken lines represent the portions of the design that form no part of the claim.

The broken lines represent the portions of the design that form no part of the claim.

**1 Claim, 2 Drawing Sheets**



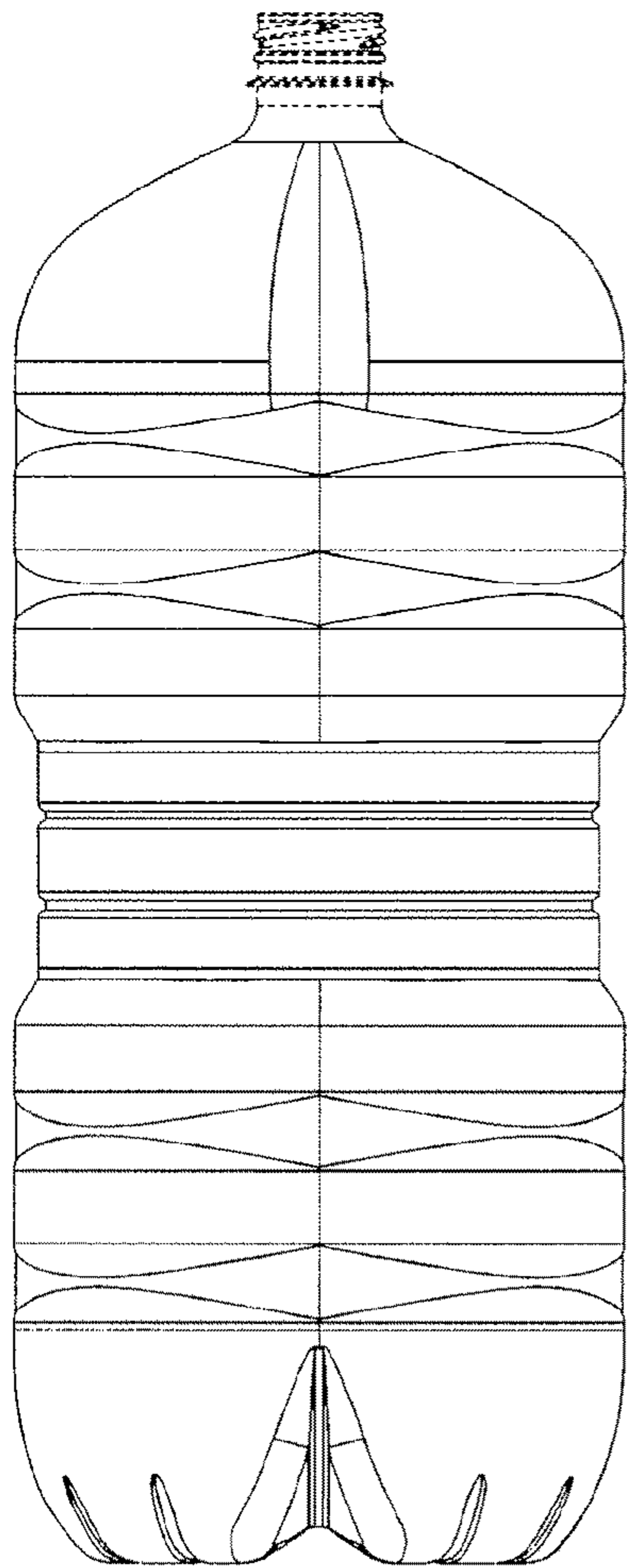


Fig. 1

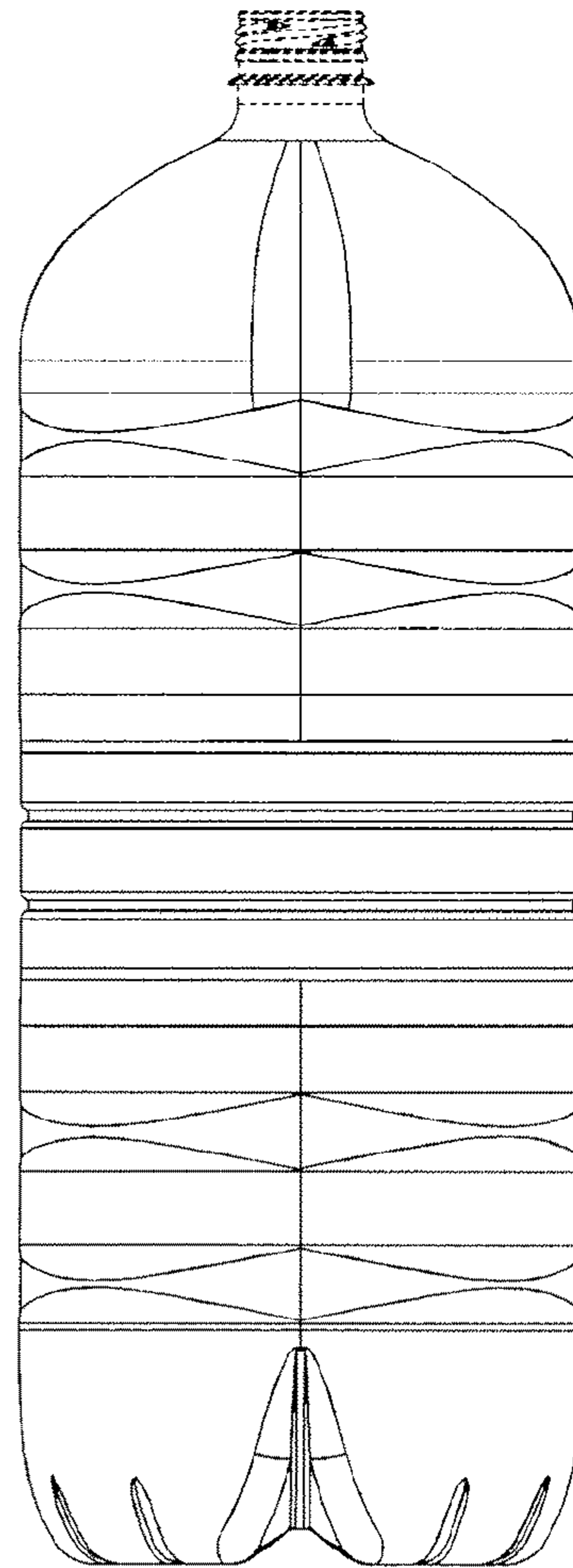


Fig. 2

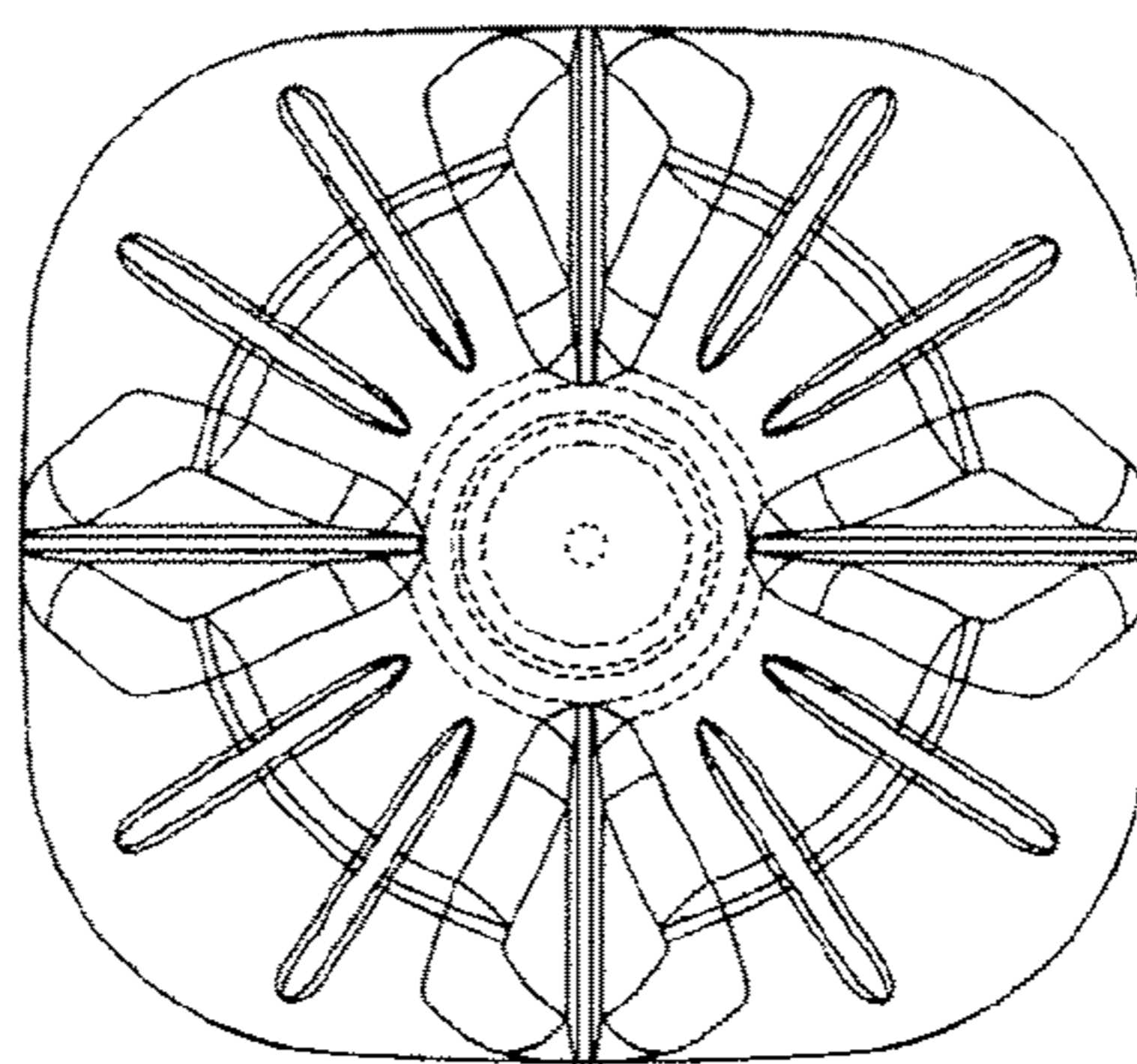


Fig. 3

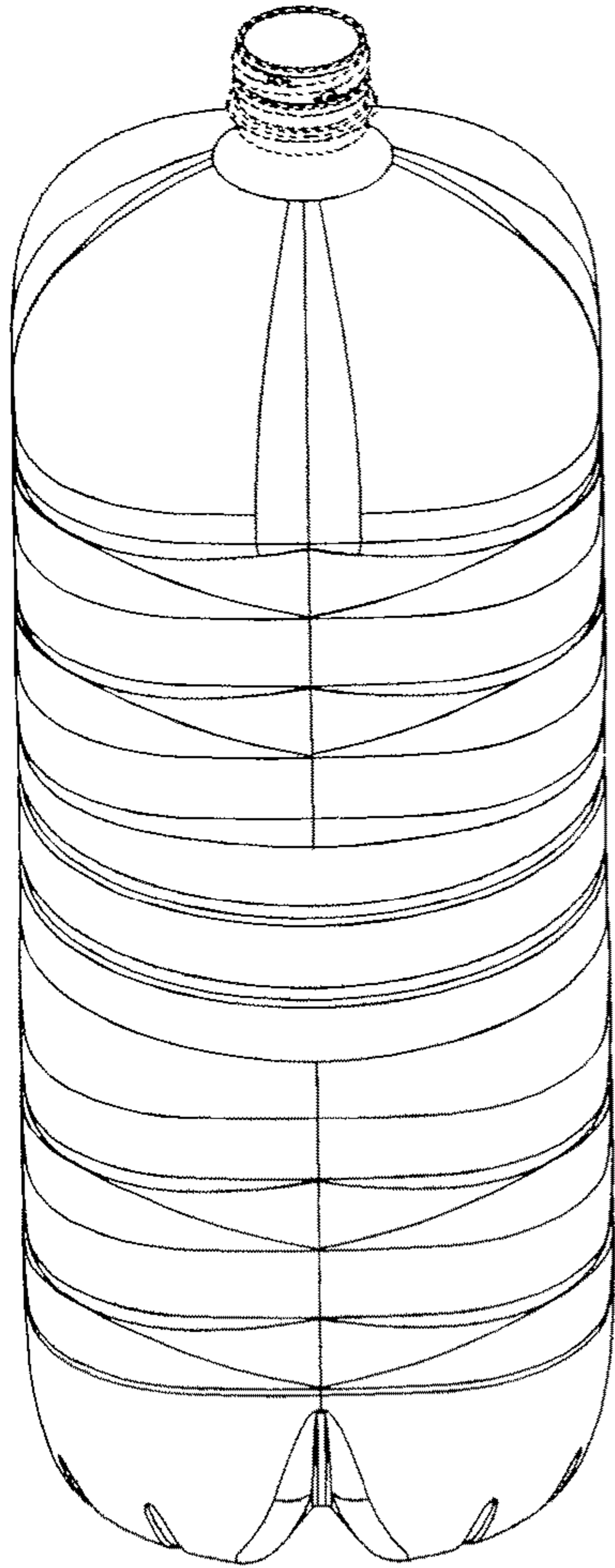


Fig. 5

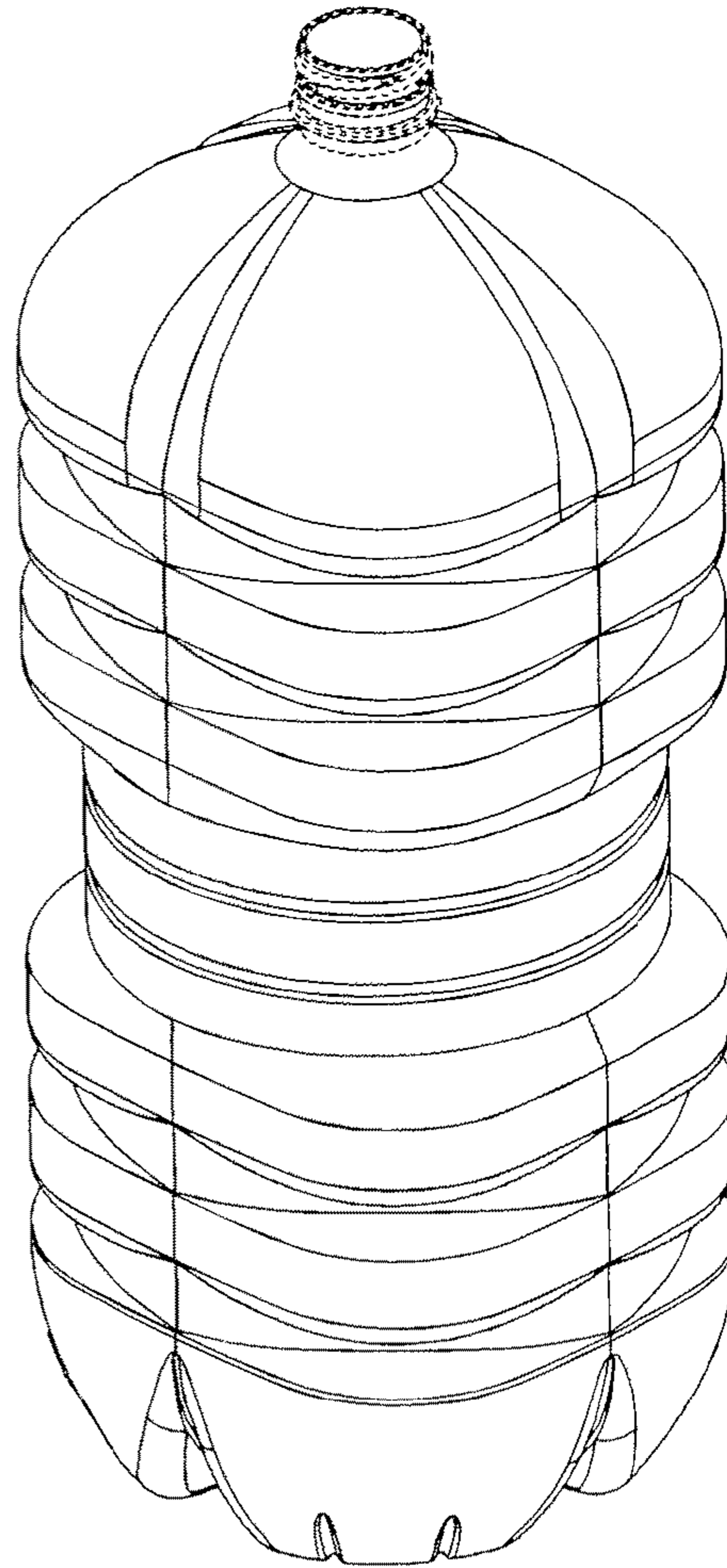


Fig. 6

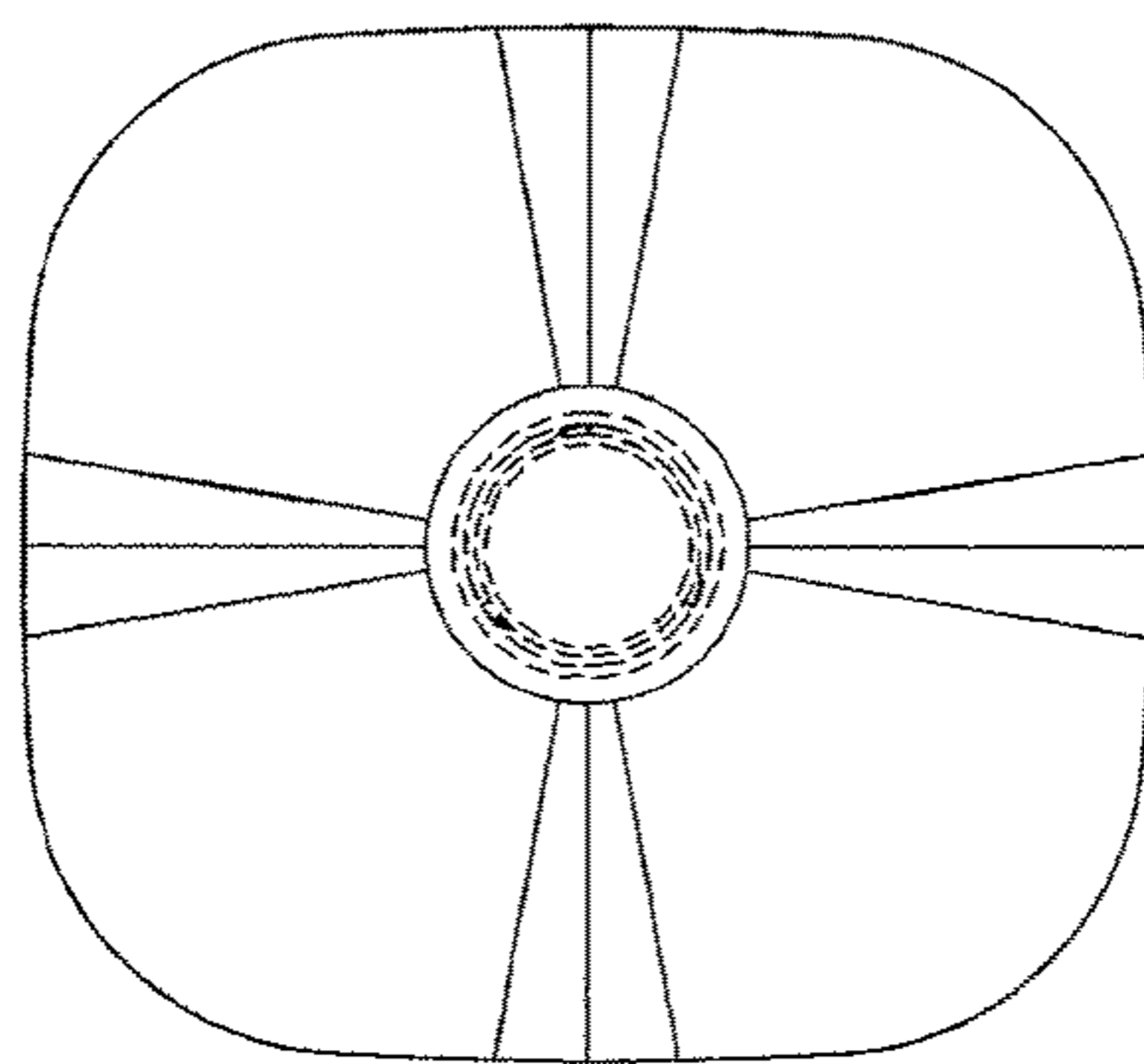


Fig. 4