



US00D607336S

(12) **United States Design Patent**
Farrell et al.

(10) **Patent No.:** **US D607,336 S**
(45) **Date of Patent:** **** Jan. 5, 2010**

(54) **CONTAINER**

(75) Inventors: **Michael Sean Farrell**, Terrace Park, OH (US); **Gustavo Jose Camargo-Parodi**, Mason, OH (US)

(73) Assignee: **The Procter & Gamble Company**, Cincinnati, OH (US)

(**) Term: **14 Years**

(21) Appl. No.: **29/340,008**

(22) Filed: **Jul. 13, 2009**

Related U.S. Application Data

(62) Division of application No. 29/285,495, filed on Mar. 30, 2007, now Pat. No. Des. 598,757.

(51) **LOC (9) Cl.** **09-01**

(52) **U.S. Cl.** **D9/539; D9/550**

(58) **Field of Classification Search** D9/516, D9/539, 542, 545, 550, 558, 563, 682, 685, D9/688, 689, 690, 691; 215/381-385
See application file for complete search history.

(56) **References Cited**

U.S. PATENT DOCUMENTS

D46,131 S *	7/1914	Lusk	D9/545
D50,974 S *	6/1917	Huband	D19/66
D155,073 S *	9/1949	Broadhead	D9/558
D224,642 S *	8/1972	Mascia	D9/773
D224,644 S *	8/1972	Mascia	D9/773
D227,347 S *	6/1973	Bystedt	D9/773
D227,870 S *	7/1973	Stanley	D9/773
D228,626 S *	10/1973	Knies	D9/744
D230,956 S *	3/1974	Bystedt	D9/773
D237,684 S *	11/1975	Koprowski	D9/773
D255,532 S *	6/1980	Saffell	D7/597
D256,992 S *	9/1980	Kretz	D9/558
D280,599 S	9/1985	Green		
D280,709 S	9/1985	Waring		
4,717,031 A *	1/1988	Hewson	215/384
D314,142 S *	1/1991	Briggs	D9/550

D341,314 S	11/1993	Charbonneau et al.		
D355,365 S	2/1995	Charbonneau et al.		
D385,184 S *	10/1997	Binter	D9/743
D404,302 S	1/1999	Martin		
D411,802 S	7/1999	Hestehave et al.		
D427,911 S *	7/2000	Kilian	D9/520
D439,156 S	3/2001	Hall et al.		
D446,726 S	8/2001	Hall et al.		
D448,289 S *	9/2001	Yuen et al.	D9/428
D456,075 S	4/2002	Clements et al.		
D471,457 S	3/2003	Deichler et al.		
D472,150 S	3/2003	Yourist		
D486,070 S	2/2004	Walsh et al.		
D487,228 S *	3/2004	Heisner et al.	D9/538
D490,323 S *	5/2004	Giovanni	D9/558
D506,933 S	7/2005	Kearney		
D598,757 S *	8/2009	Farrell et al.	D9/516

* cited by examiner

Primary Examiner—Stella M Reid

Assistant Examiner—Elizabeth J Oswecki

(74) *Attorney, Agent, or Firm*—Amy I. Ahn-Roll

(57) **CLAIM**

The ornamental design for a container, as shown and described.

DESCRIPTION

FIG. 1 is a perspective view of a container showing our new design;

FIG. 2 is a front view thereof;

FIG. 3 is a back view thereof;

FIG. 4 is a side elevational view thereof;

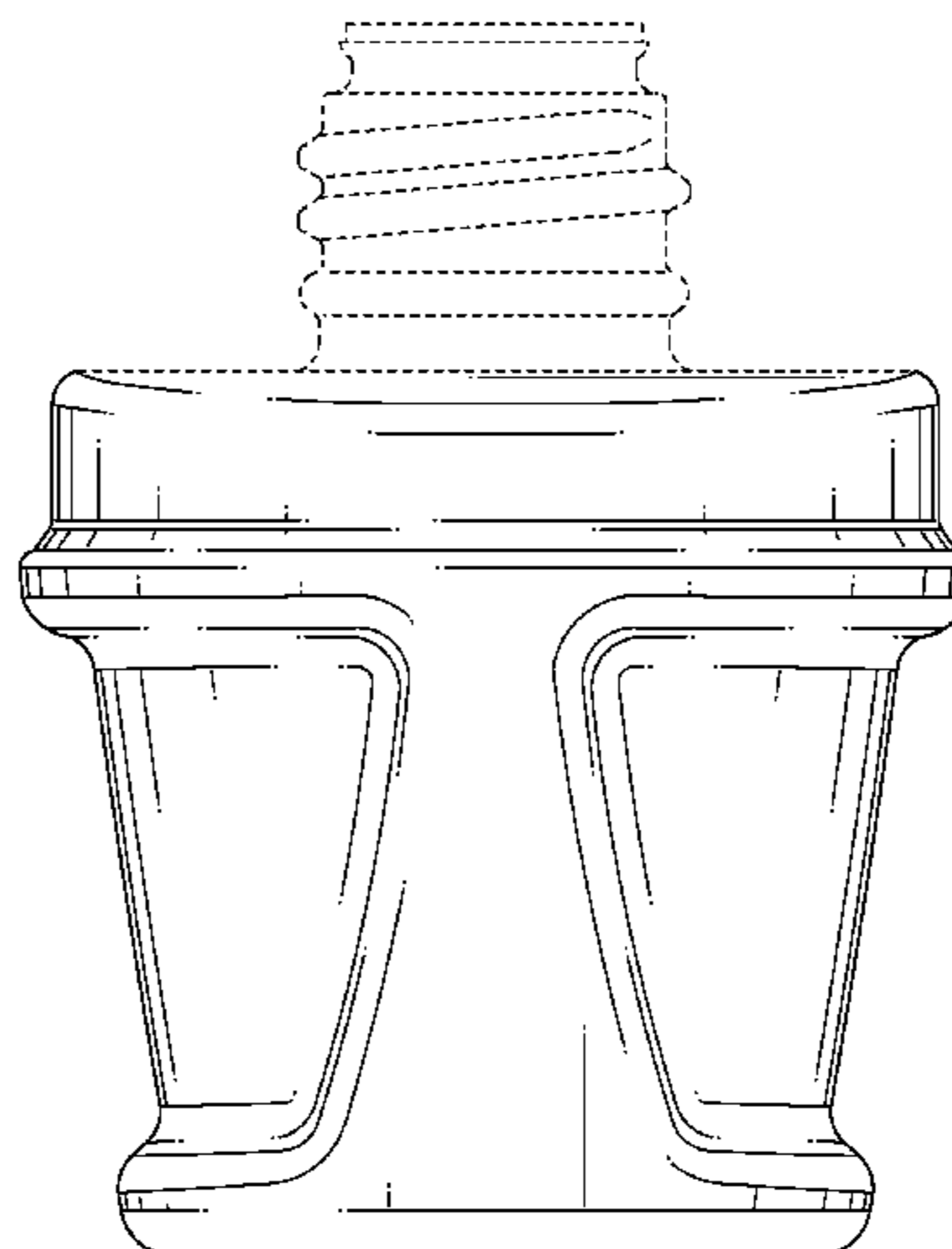
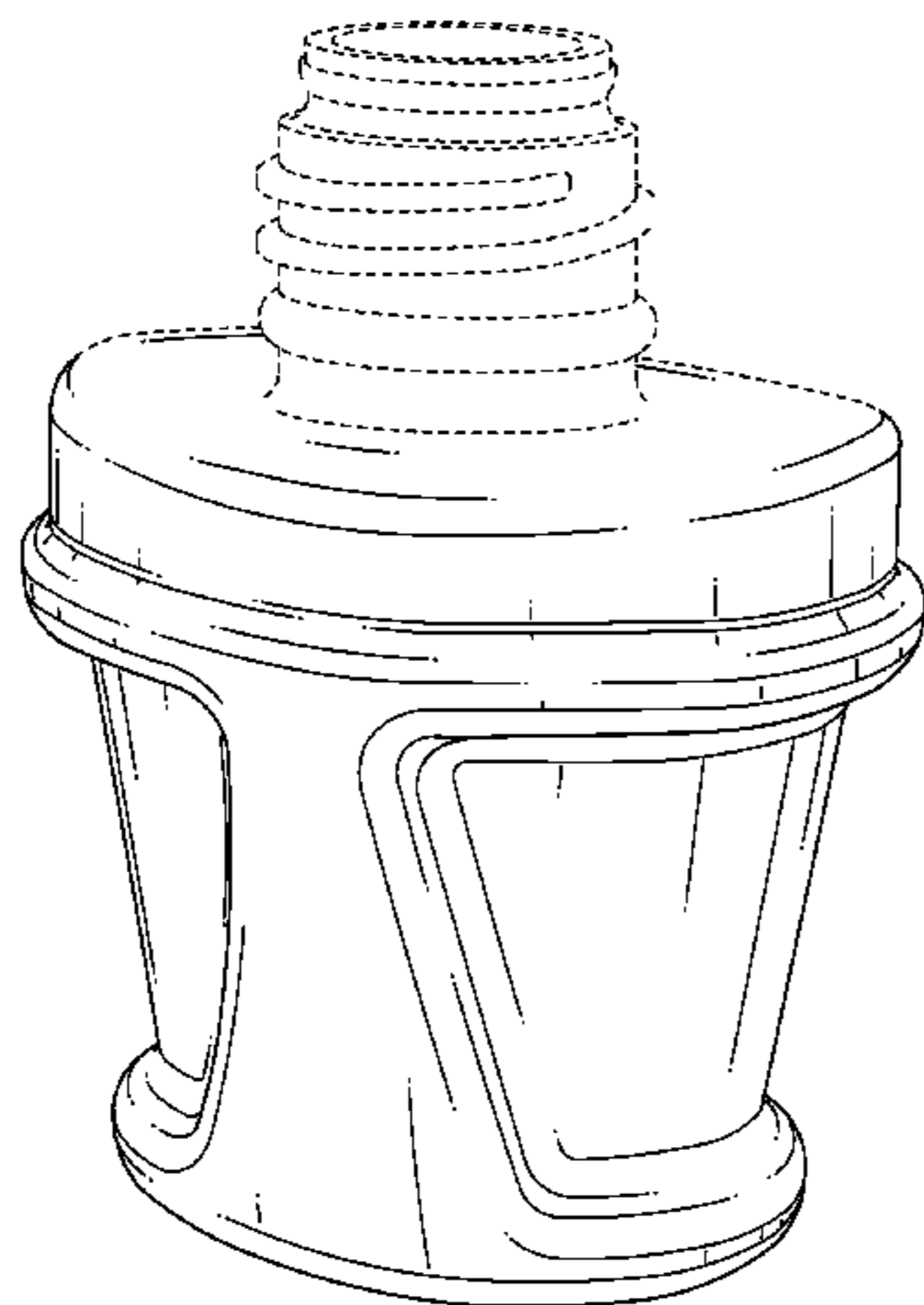
FIG. 5 is an opposite side elevational view thereof;

FIG. 6 is a top view thereof; and,

FIG. 7 is a bottom view thereof.

The broken line showing of a pour spout and top portion the container in FIGS. 1-6 is included for the purpose of illustrating only and forms no part of the claimed design.

1 Claim, 7 Drawing Sheets



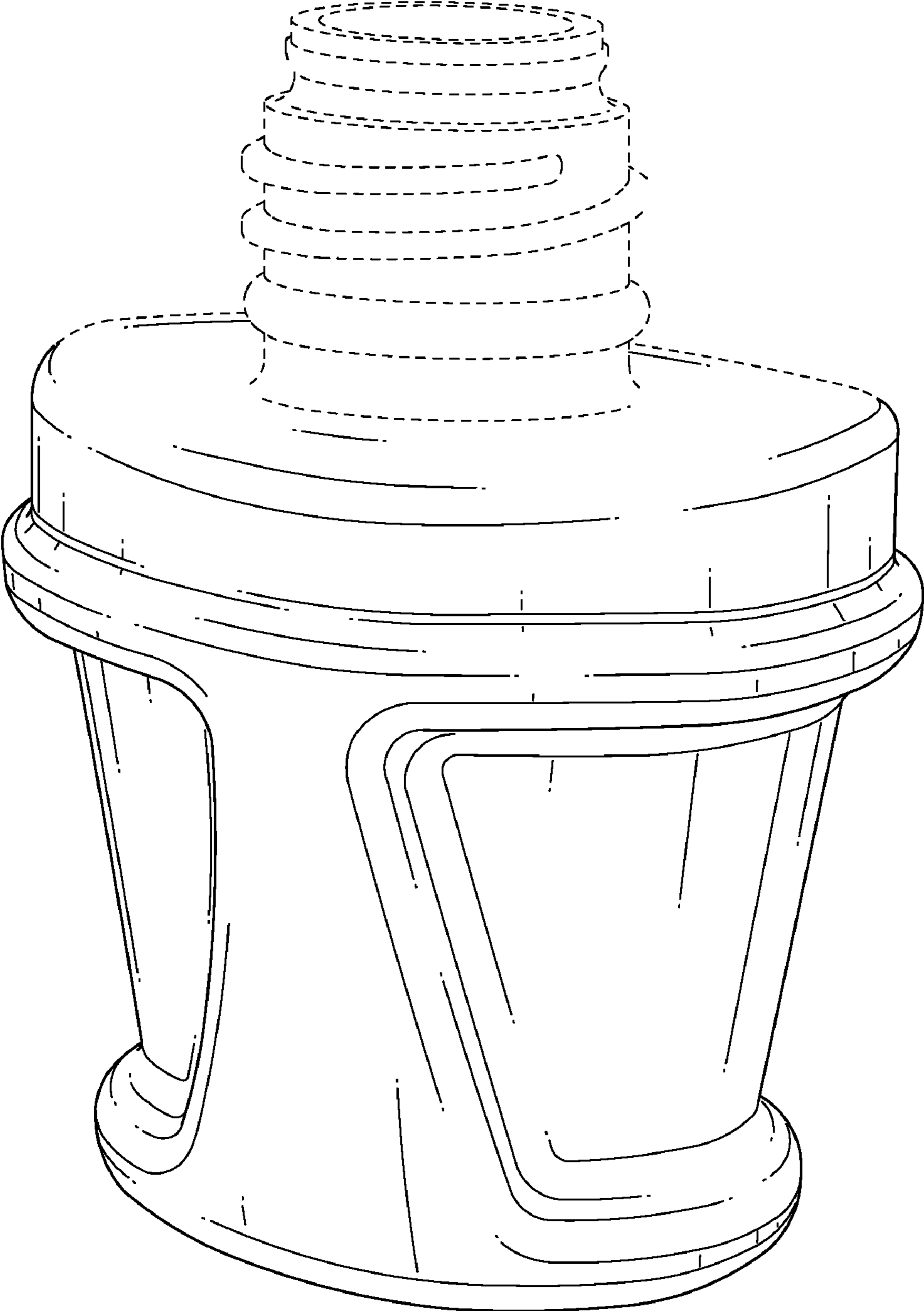


FIG. 1

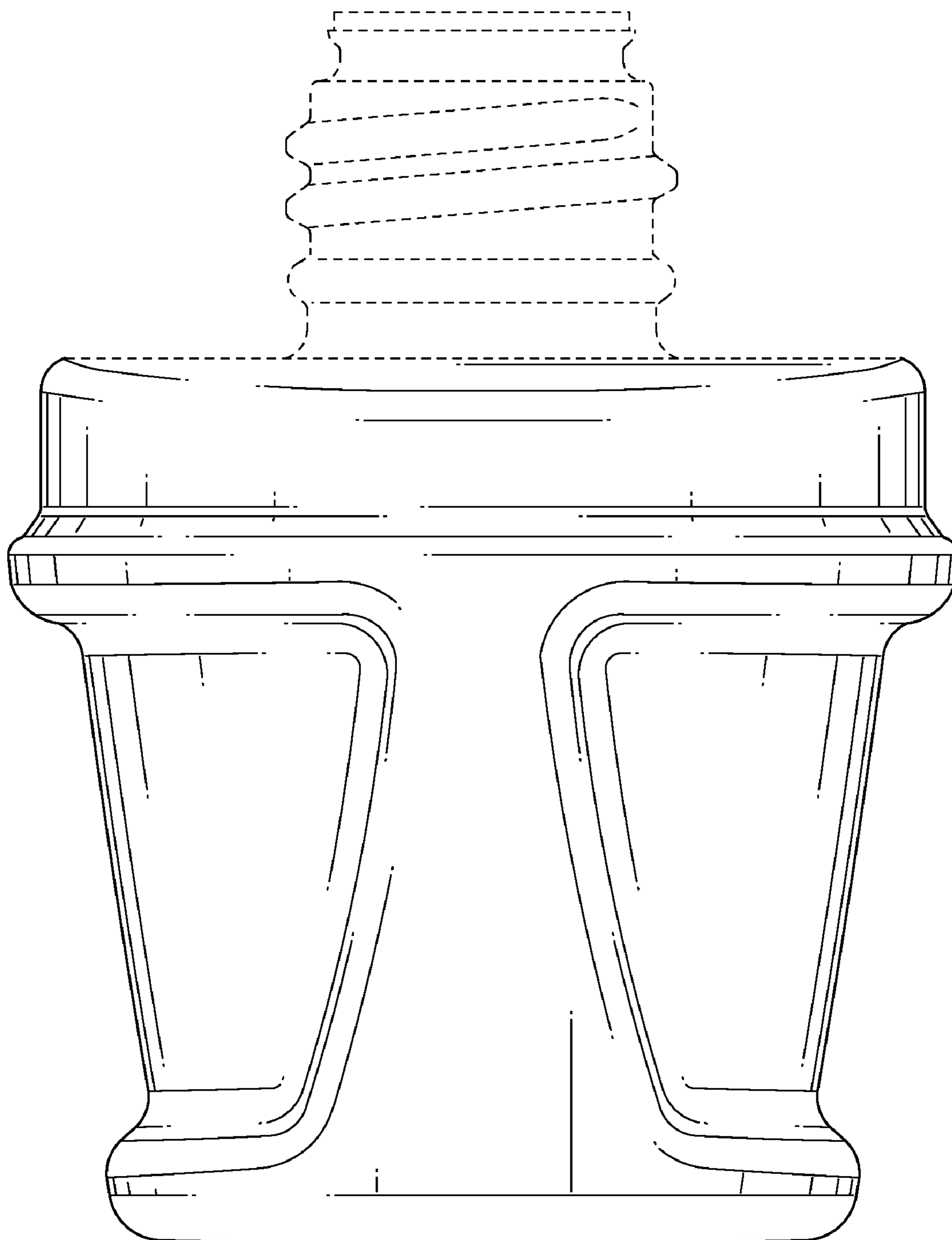


FIG. 2

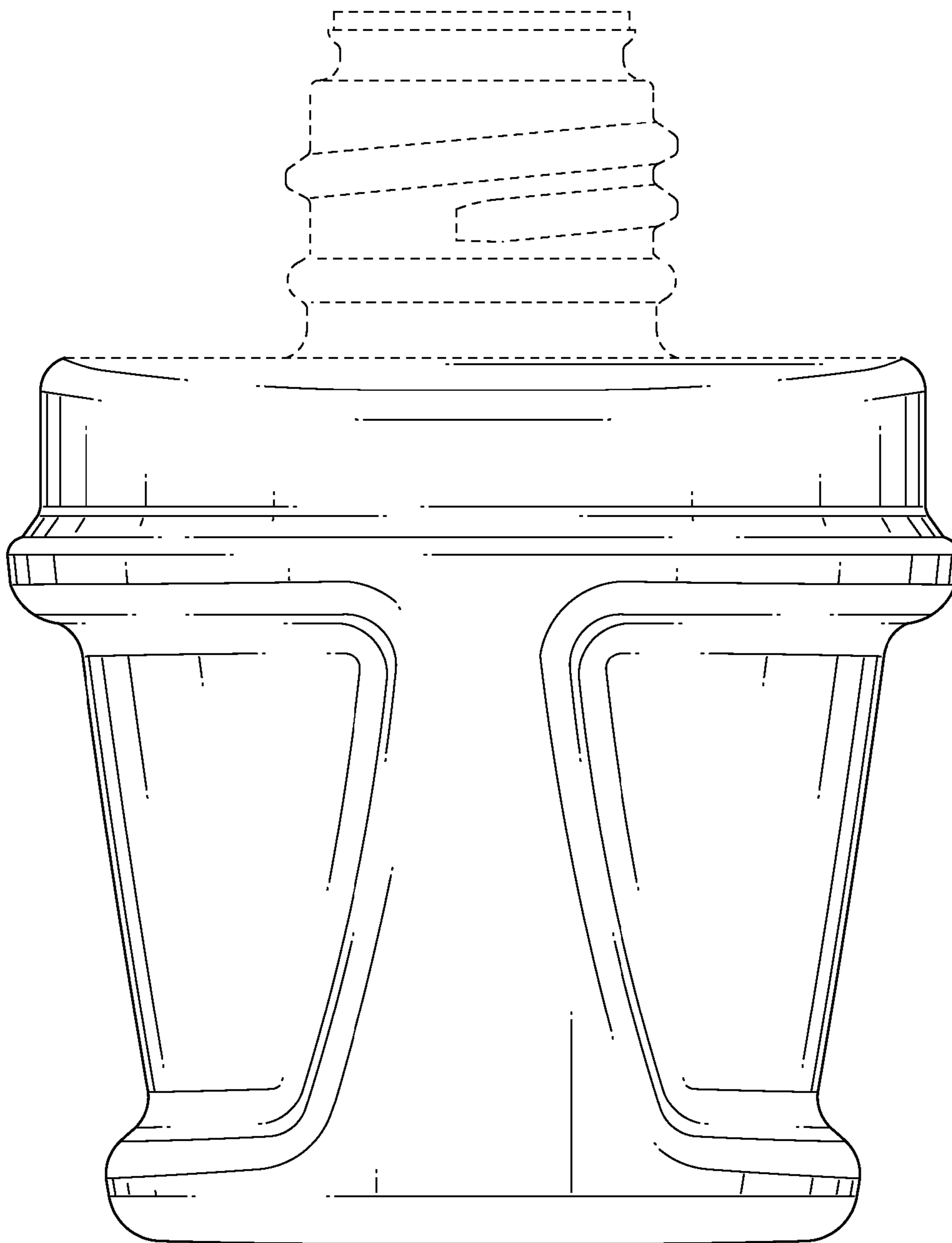


FIG. 3

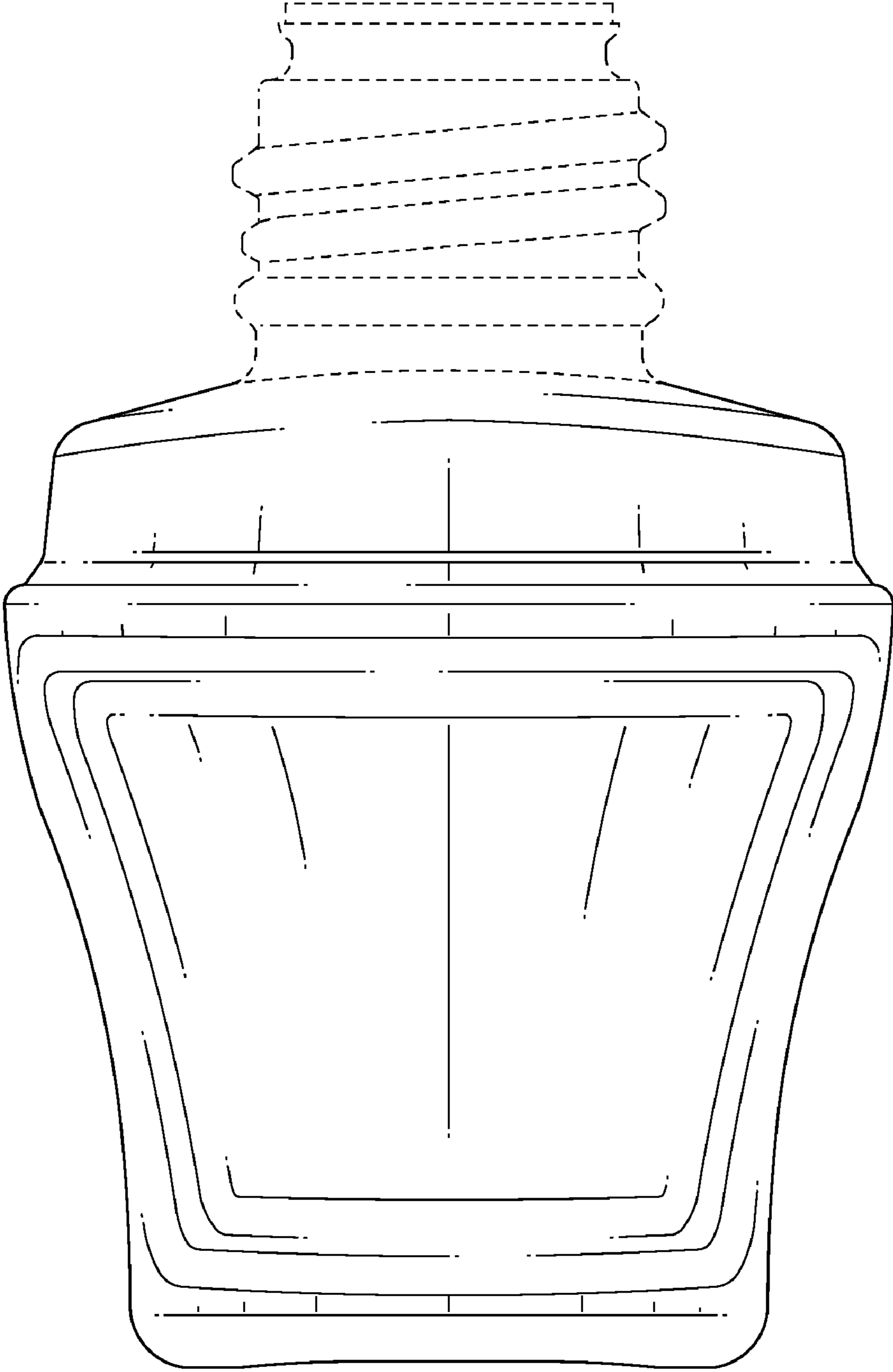


FIG. 4

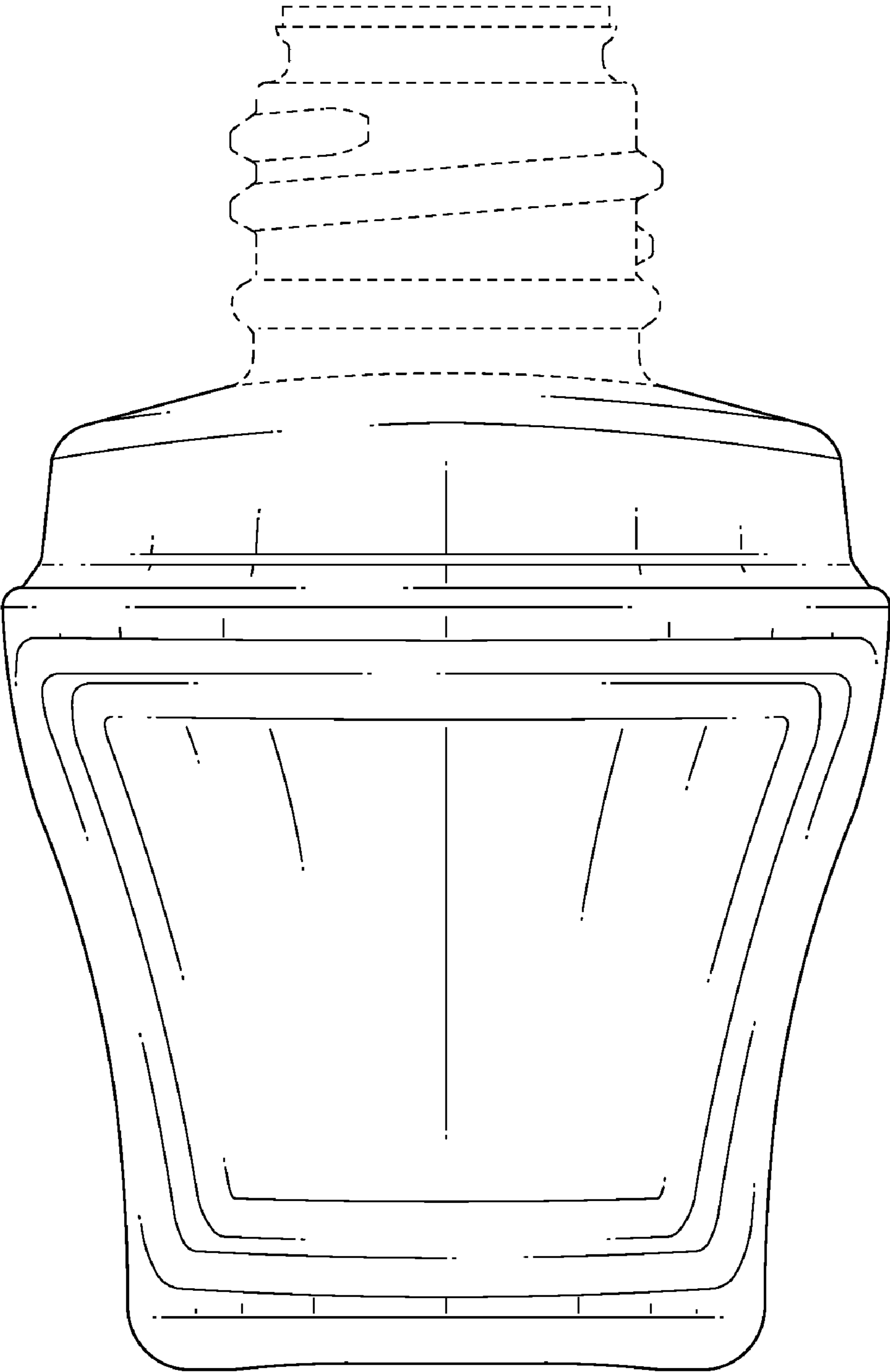


FIG. 5

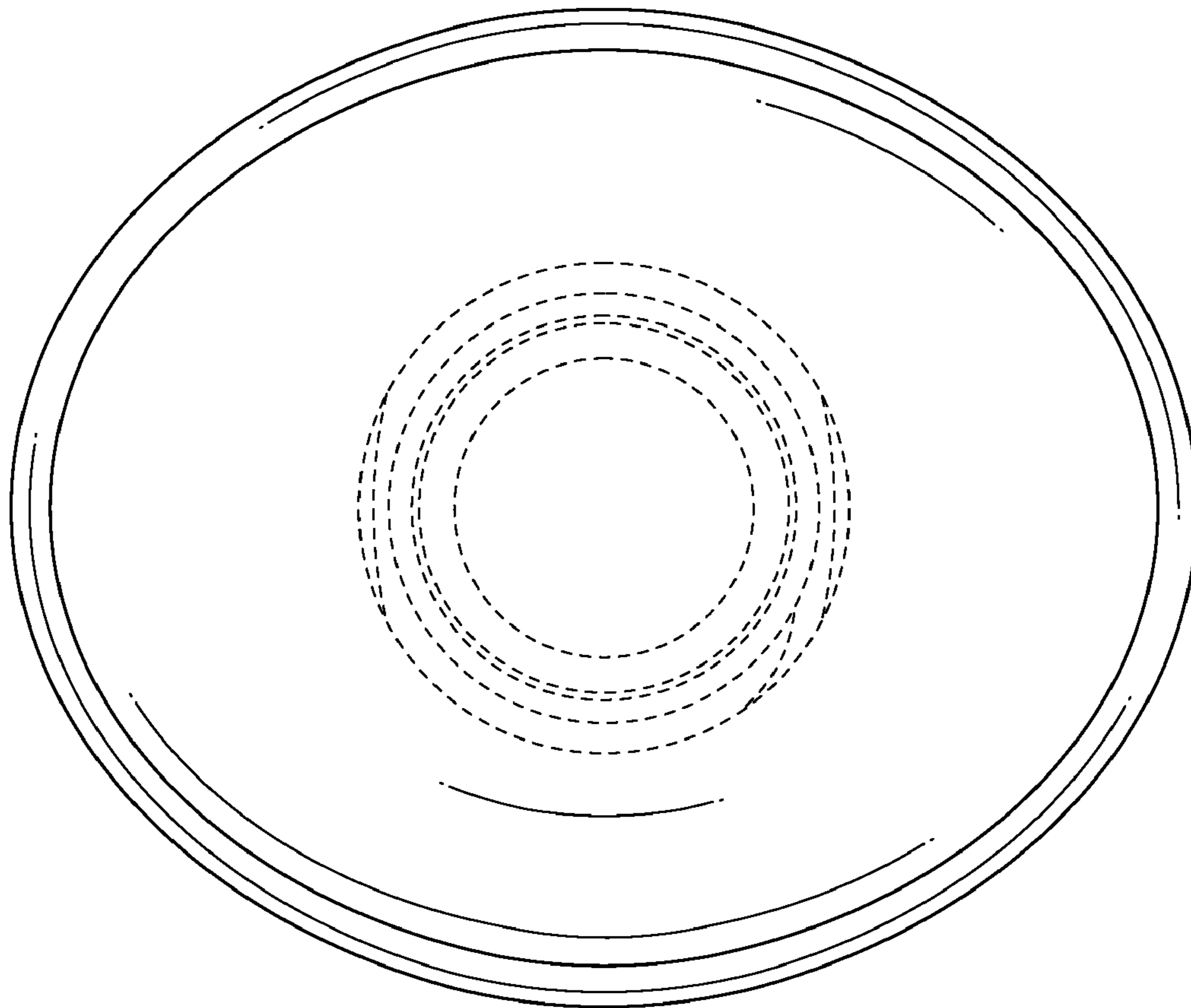


FIG. 6

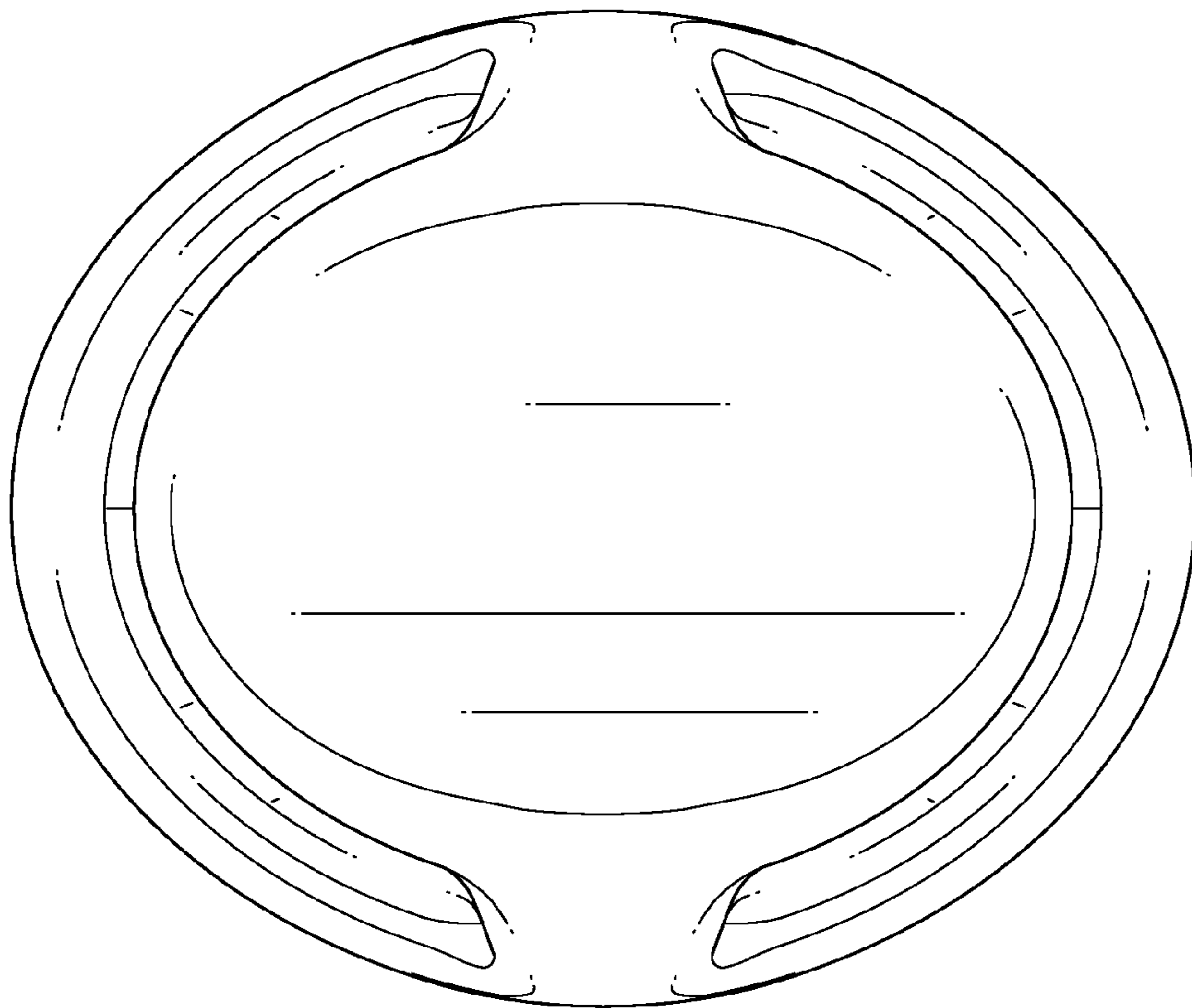


FIG. 7