



US00D607333S

(12) **United States Design Patent**
Przybyl, Sr.

(10) **Patent No.:** **US D607,333 S**
(45) **Date of Patent:** **** Jan. 5, 2010**

(54) **CONTAINER FOR FLUID**

(76) **Inventor:** **Clifford John Przybyl, Sr.**, Rt. 1, Box
1698, Shell Knob, MO (US) 65747

(**) **Term:** **14 Years**

(21) **Appl. No.:** **29/288,100**

(22) **Filed:** **May 30, 2007**

(51) **LOC (9) Cl.** **09-01**

(52) **U.S. Cl.** **D9/528**

(58) **Field of Classification Search** D9/432,
D9/516, 520, 523, 528, 530, 531, 572, 575,
D9/782; 215/40, 44, 45, 200, 243, 329, 379-386,
215/395, 396, 398, 399; D23/202, 211, 211.1;
206/503, 504, 510, 511; 220/62, 361, 766,
220/771; 222/109, 143, 183, 323, 465.1,
222/571

See application file for complete search history.

(56) **References Cited**

U.S. PATENT DOCUMENTS

1,240,689	A *	9/1917	Durning	220/361
1,746,332	A	2/1930	Barroll		
2,360,849	A	10/1944	Clements et al.		
2,387,270	A	10/1945	Johnson		
2,512,105	A	6/1950	Kooij et al.		
3,250,434	A	5/1966	Howlett		
3,547,299	A	12/1970	Kepple		
3,765,574	A *	10/1973	Urquiza	222/183
3,782,602	A	1/1974	Page		
D252,257	S *	7/1979	Dobbs et al.	D9/528
4,485,924	A	12/1984	Ripoll et al.		
4,541,529	A	9/1985	Hestehave et al.		

4,573,595	A	3/1986	Mednis		
D307,718	S *	5/1990	Tabler	D9/432
4,923,098	A	5/1990	Schoonover et al.		
5,269,438	A	12/1993	Kelsey		
D349,944	S *	8/1994	Harris	D23/202
D357,417	S *	4/1995	Van Keimpema et al.	D9/782
D378,494	S *	3/1997	Miller	D9/528
5,779,051	A	7/1998	Boutin		
5,884,802	A	3/1999	Leibowitz		
6,095,332	A	8/2000	Finand et al.		
D434,326	S *	11/2000	Smorch	D9/520
6,712,575	B1	3/2004	Tuma et al.		
6,896,156	B2	5/2005	McDonald et al.		

* cited by examiner

Primary Examiner—Stella M Reid

Assistant Examiner—Shanda C Hill

(74) *Attorney, Agent, or Firm*—Richard L. Marsh

(57) **CLAIM**

The ornamental design for a container for fluid, as shown and described.

DESCRIPTION

FIG. 1 is an upper right perspective of a container for fluid showing my new design;

FIG. 2 is a front elevational view thereof, the left elevational view being identical;

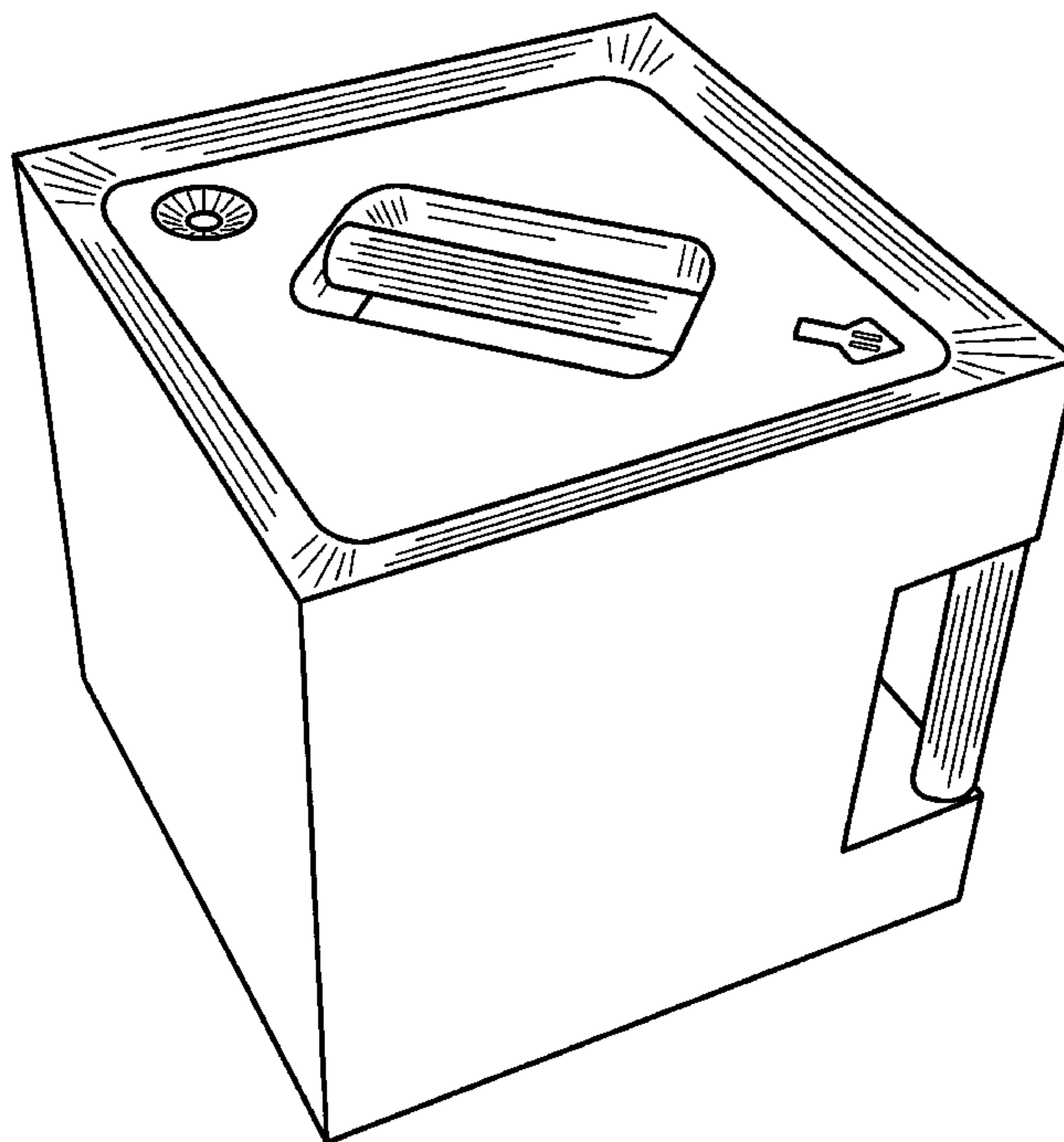
FIG. 3 is a right elevational view thereof;

FIG. 4 is a rear elevational view thereof;

FIG. 5 is a top plan view thereof; and,

FIG. 6 is a bottom plan view thereof.

1 Claim, 6 Drawing Sheets



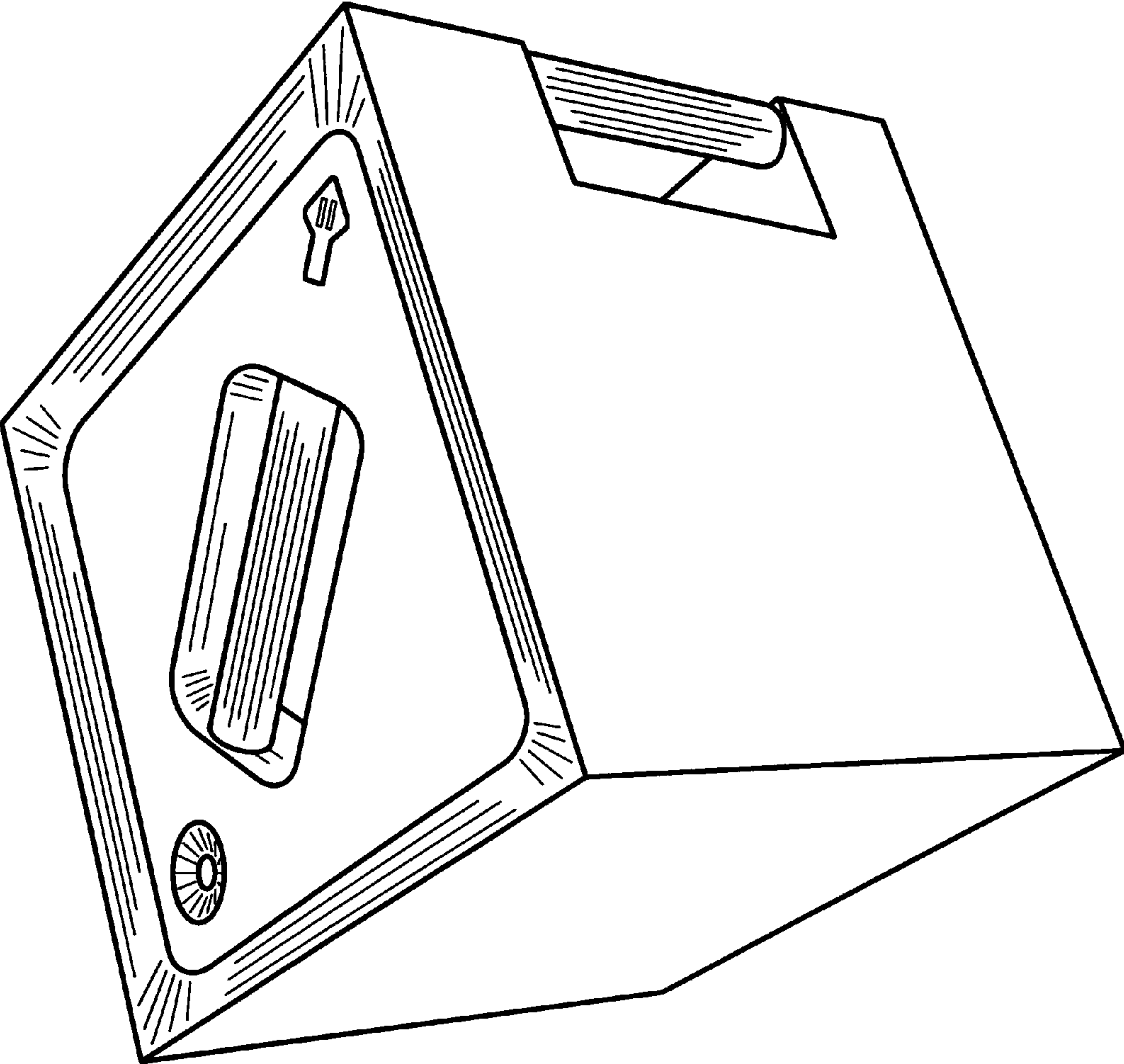


Fig. 1

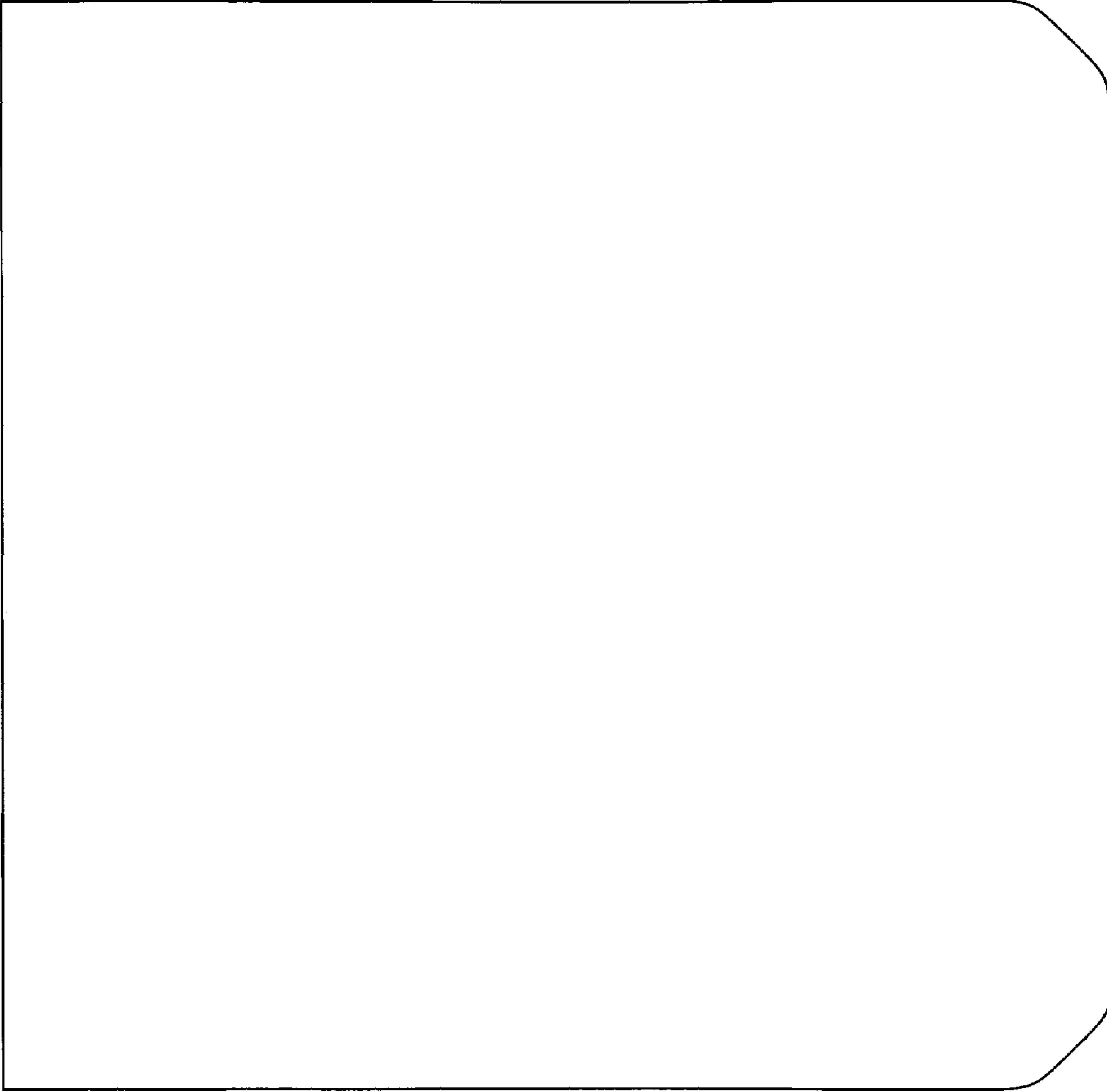


Fig. 2

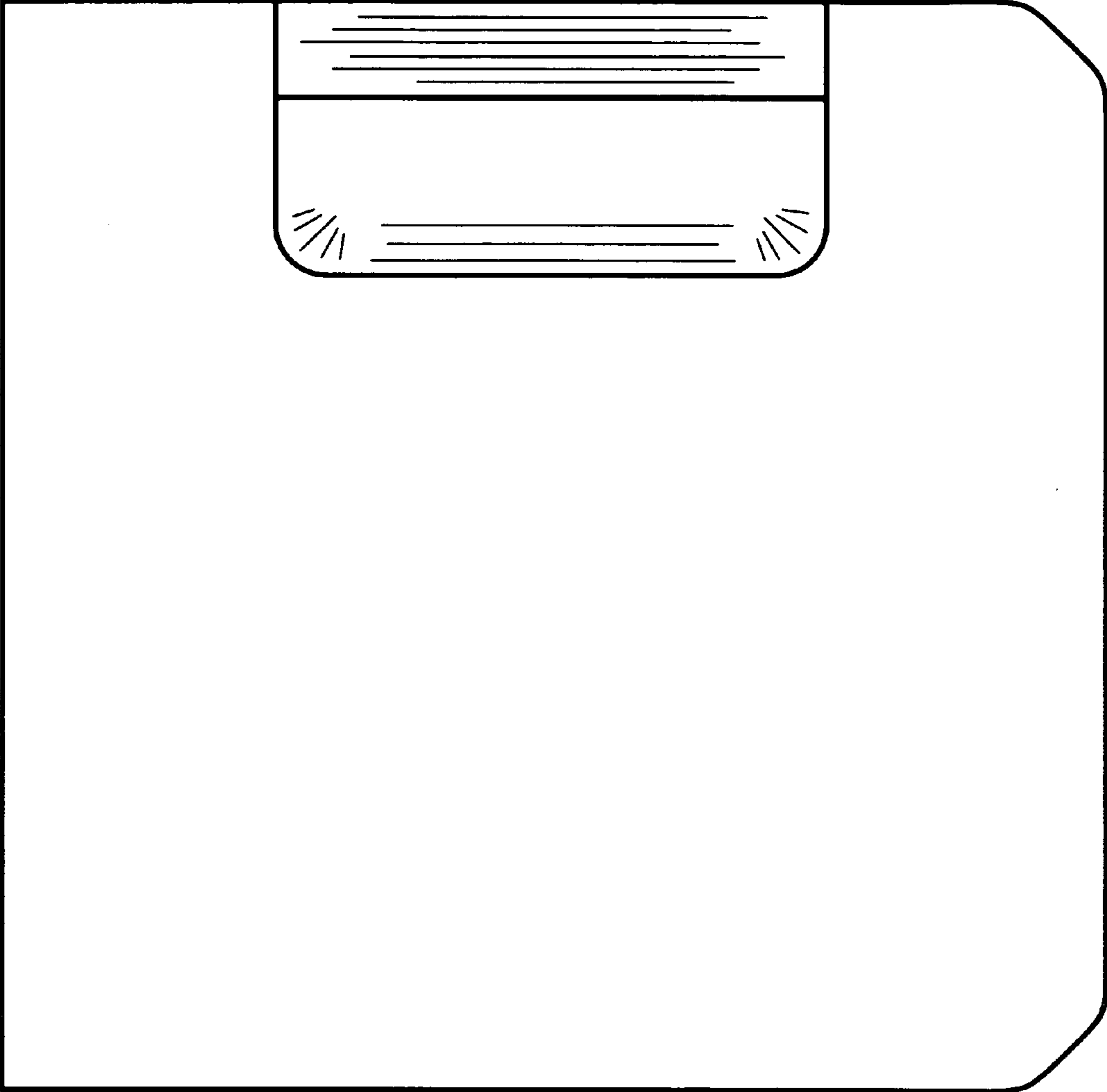


Fig. 3

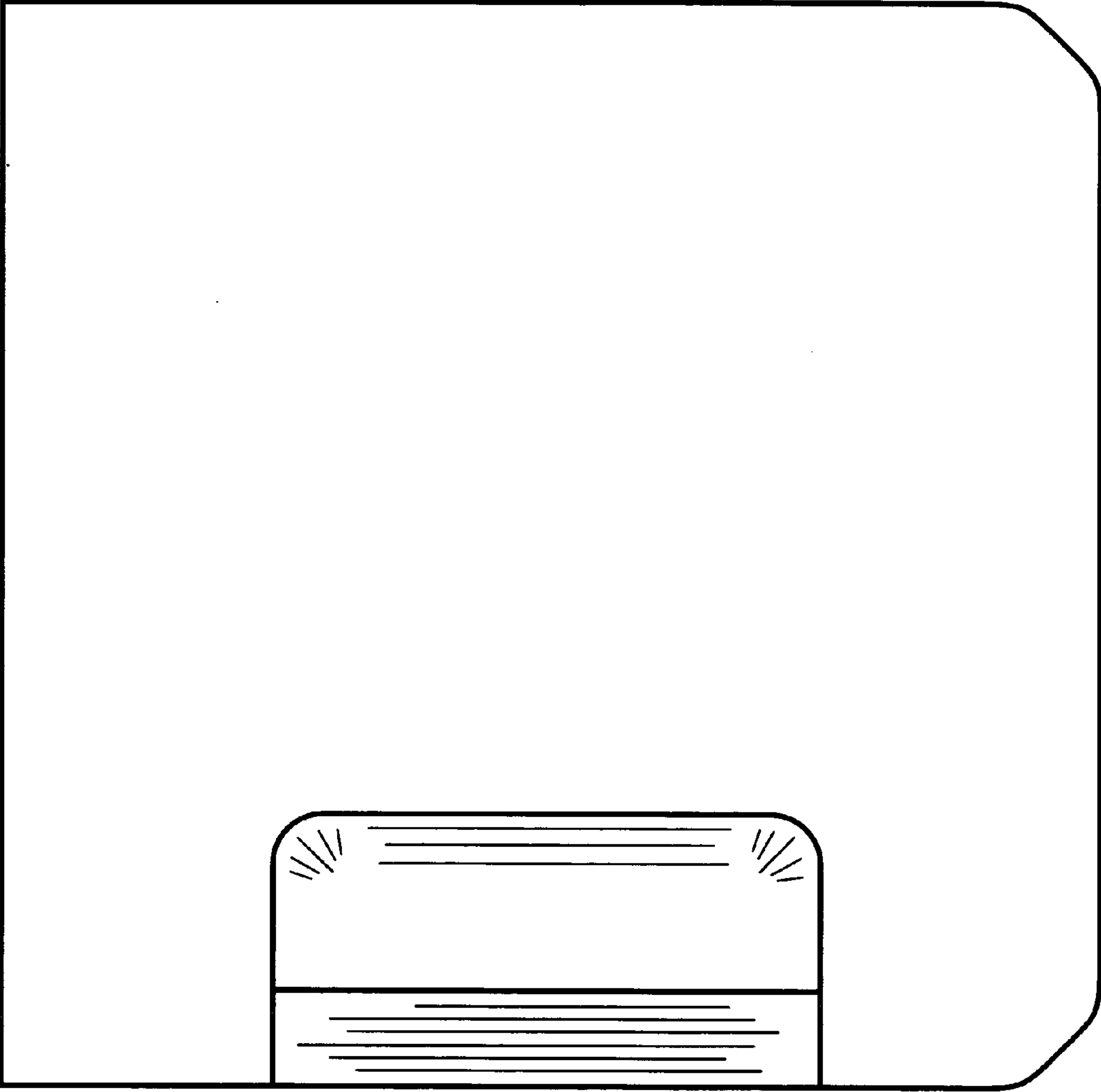


Fig. 4

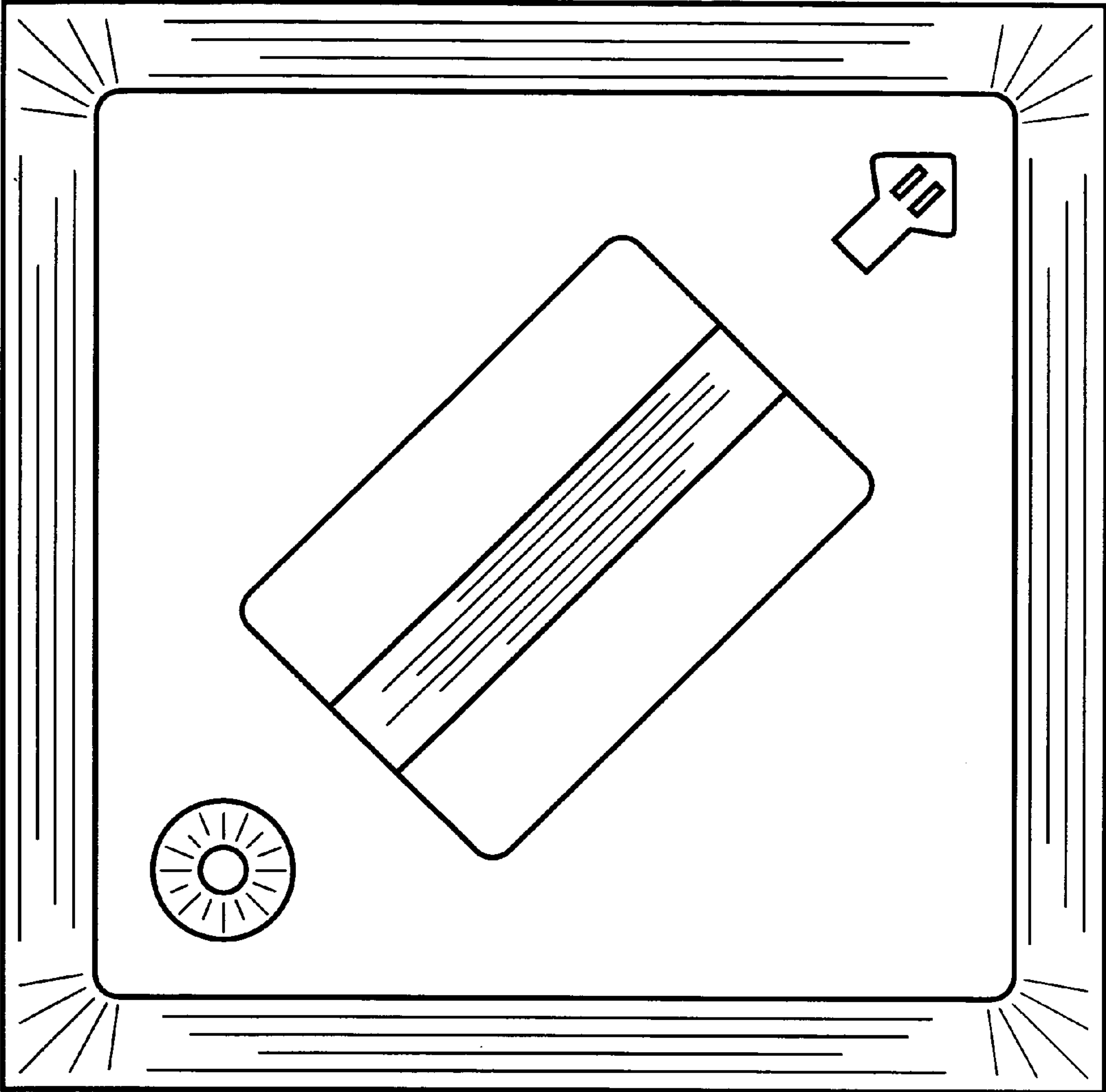


Fig. 5

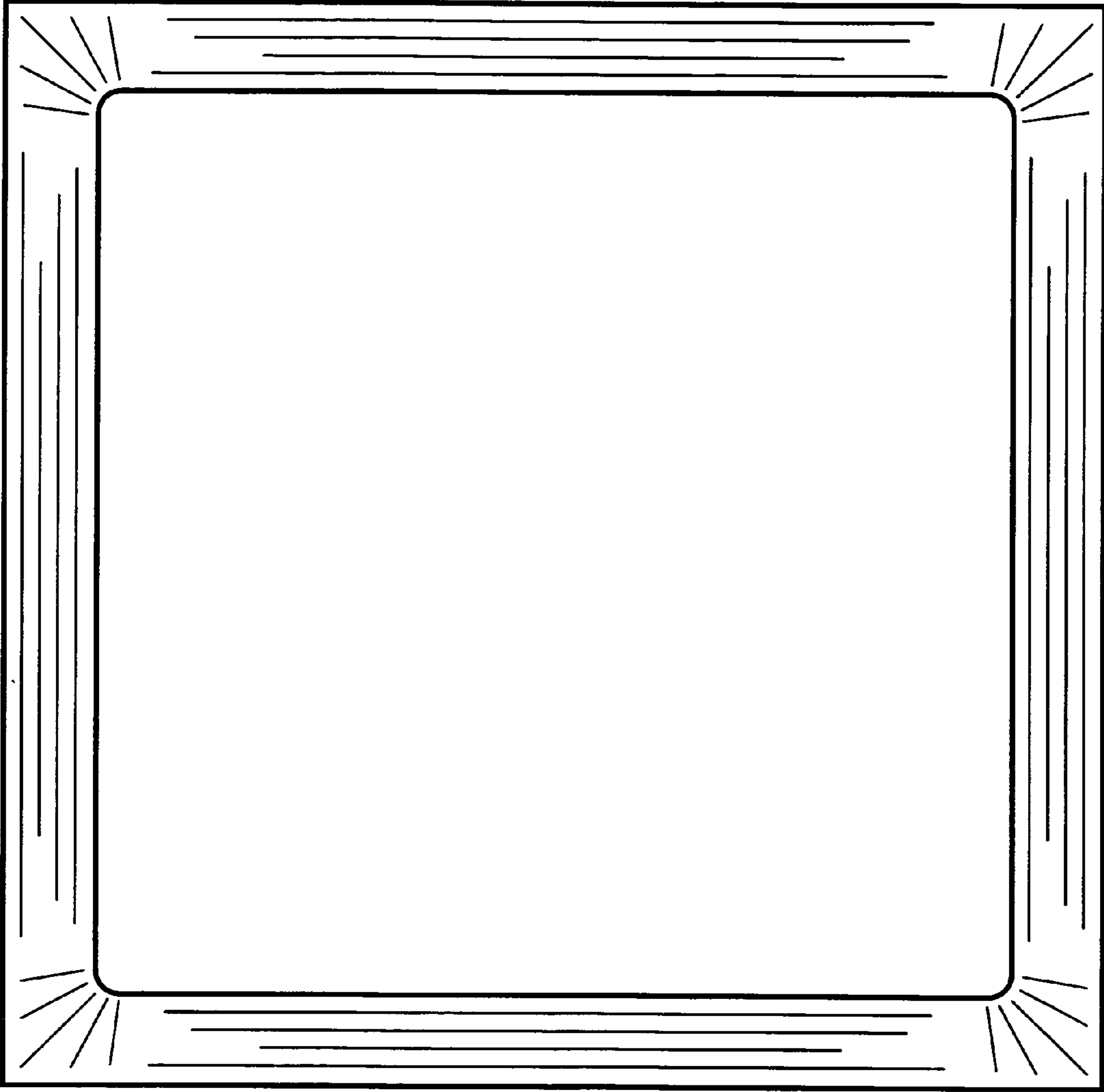


Fig. 6