



US00D607331S

(12) **United States Design Patent**
Booth et al.

(10) **Patent No.:** **US D607,331 S**
(45) **Date of Patent:** **** *Jan. 5, 2010**

(54) **CONTAINER**

(75) Inventors: **Peter Booth**, Marlborough (GB);
Corinne Elizabeth Elstow,
Marlborough (GB); **John David Lamb**,
Bottlesford-Pewsey (GB); **Dominique**
Celine Ignace Marie Geeraert,
Erembodegem (BE)

(73) Assignee: **The Procter & Gamble Company**,
Cincinnati, OH (US)

(**) Term: **14 Years**

(21) Appl. No.: **29/308,459**

(22) Filed: **Jun. 19, 2008**

(30) **Foreign Application Priority Data**

Dec. 20, 2007 (EM) 000846779

(51) **LOC (9) Cl.** **09-01**

(52) **U.S. Cl.** **D9/516; 540/551; 540/540;**
540/557

(58) **Field of Classification Search** D9/682,
D9/686, 688, 689, 690, 724, 516, 520, 522,
D9/529, 530, 537, 538, 540, 541, 544, 545,
D9/546, 549, 551, 556, 557, 564, 569, 570,
D9/571; 215/381-385

See application file for complete search history.

(56) **References Cited**

U.S. PATENT DOCUMENTS

- D374,625 S * 10/1996 Flurer et al. D9/542
- D422,508 S * 4/2000 Restrepo D9/724
- D442,867 S * 5/2001 Krishnakumar et al. D9/537
- D445,177 S * 7/2001 Cogger D24/120
- D445,178 S * 7/2001 Cogger D24/120
- D451,032 S * 11/2001 Iizuka et al. D9/569
- D482,625 S * 11/2003 Crawford et al. D9/564
- D498,680 S * 11/2004 Cleary D9/542
- D519,380 S * 4/2006 Leoncavallo et al. D9/530
- D522,870 S * 6/2006 Venkataraman et al. D9/538

- D523,345 S * 6/2006 Kamineni D9/537
- D524,657 S * 7/2006 Harris et al. D9/522
- D527,645 S * 9/2006 Pedmo et al. D9/542
- D544,364 S * 6/2007 Archeny et al. D9/560
- D546,691 S * 7/2007 Lepoitevin D9/522
- D547,665 S * 7/2007 Lepoitevin D9/541
- D548,599 S * 8/2007 Blasko D9/516
- D565,417 S * 4/2008 Lee et al. D9/541
- D566,564 S * 4/2008 Lee et al. D9/521
- D568,164 S * 5/2008 Dodge et al. D9/544
- D569,733 S * 5/2008 Dodge et al. D9/544
- D577,593 S * 9/2008 Hestehave D9/541
- D582,778 S * 12/2008 Burson D9/536
- D583,248 S * 12/2008 Little D9/557

* cited by examiner

Primary Examiner—Stella M Reid

Assistant Examiner—Elizabeth J Oswecki

(74) *Attorney, Agent, or Firm*—David V. Upite; Kim William Zerby

(57) **CLAIM**

The ornamental design for a container, as shown and described.

DESCRIPTION

FIG. 1 is an isometric view of a container, showing our new design;

FIG. 2 is a left view thereof;

FIG. 3 is a right view thereof;

FIG. 4 is a front view thereof;

FIG. 5 is a back view thereof;

FIG. 6 is an enlarged top view thereof; and,

FIG. 7 is an enlarged bottom view thereof.

The broken line showing of a cap, top of a container, sides of the container and bottom of the container is included for the purpose of illustrating only and forms no part of the claimed design.

1 Claim, 7 Drawing Sheets

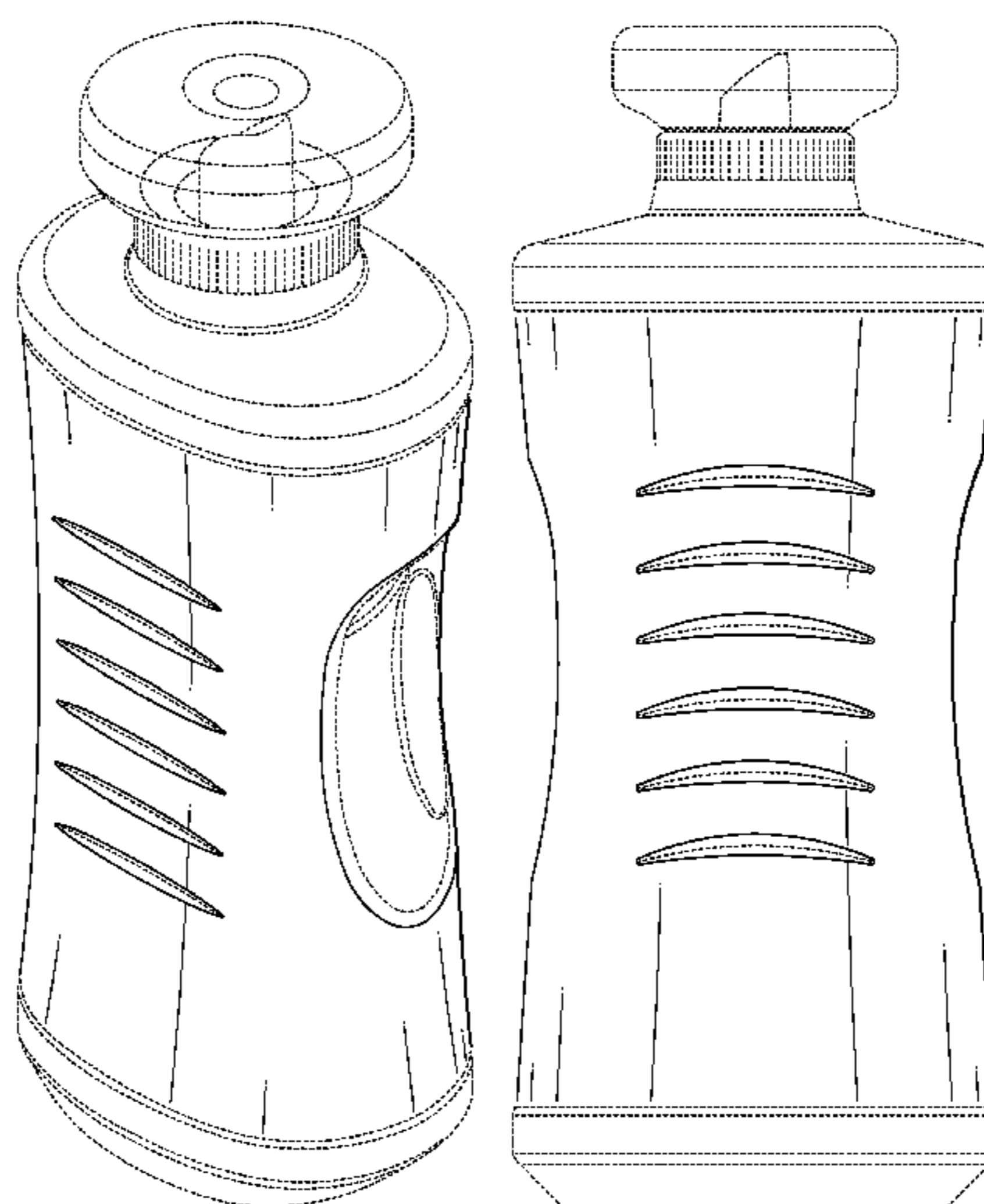


FIG. 1

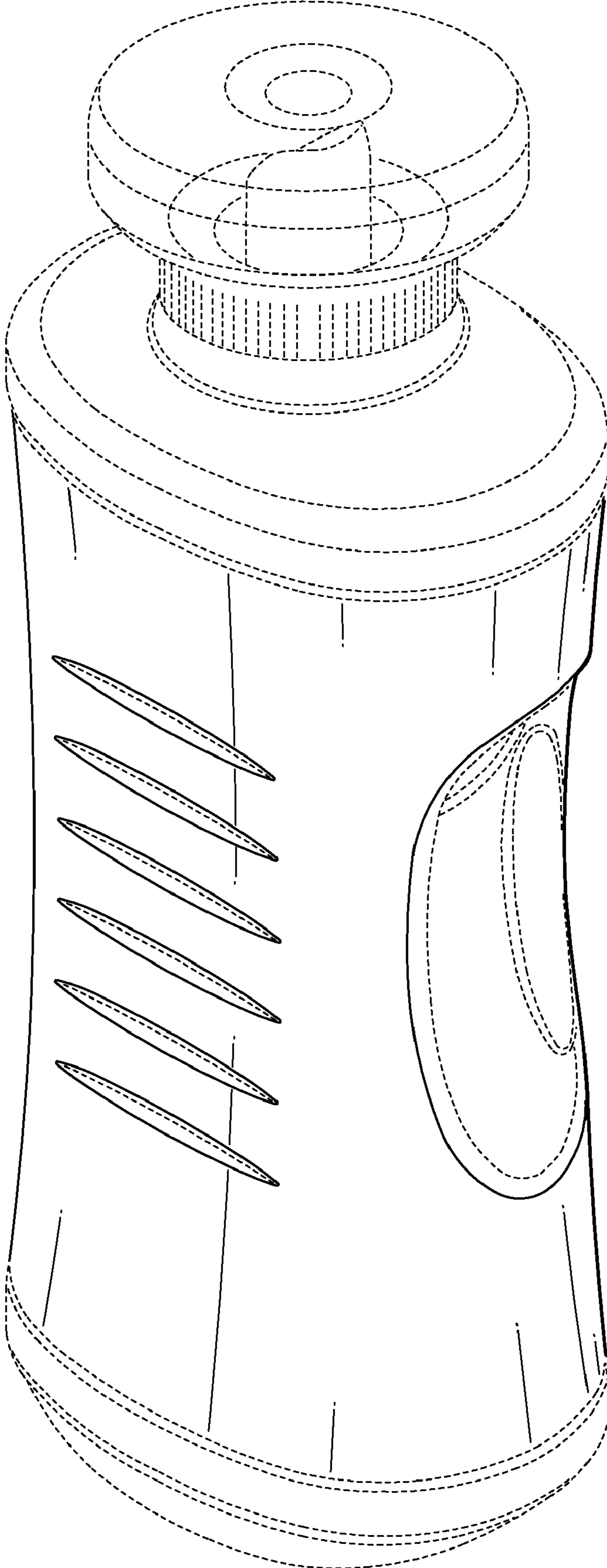


FIG. 2

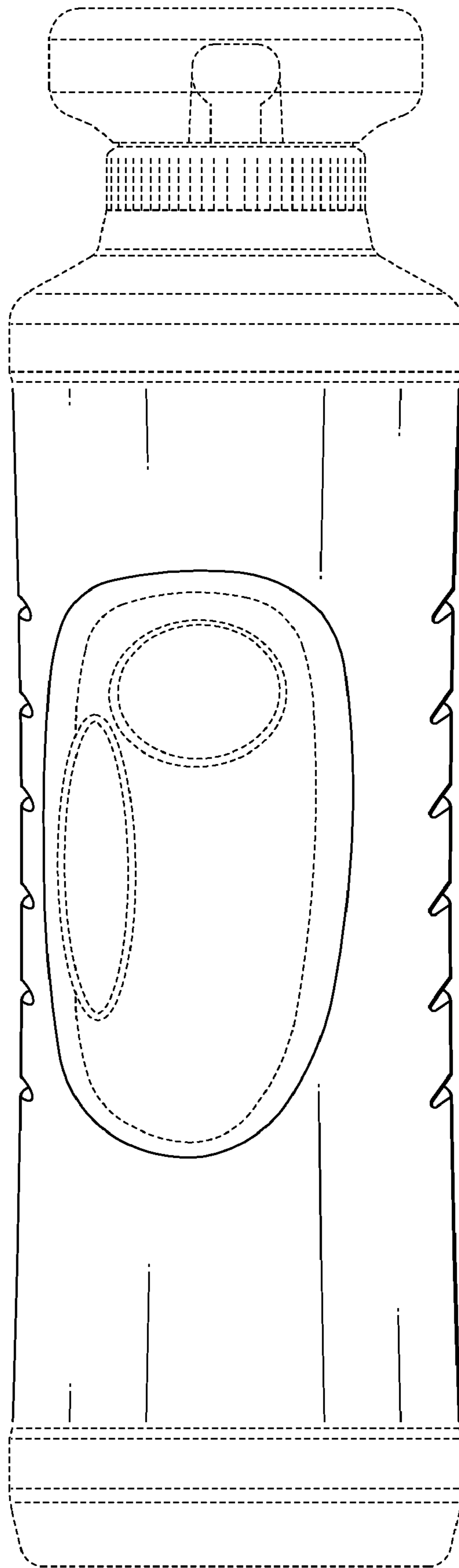


FIG. 3

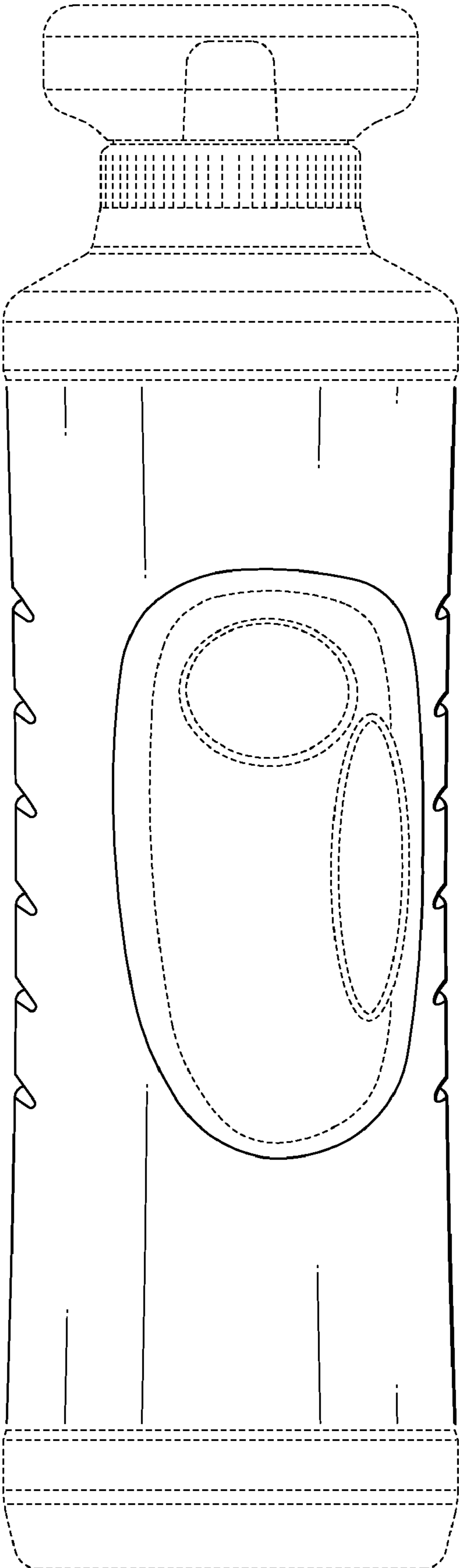


FIG. 4

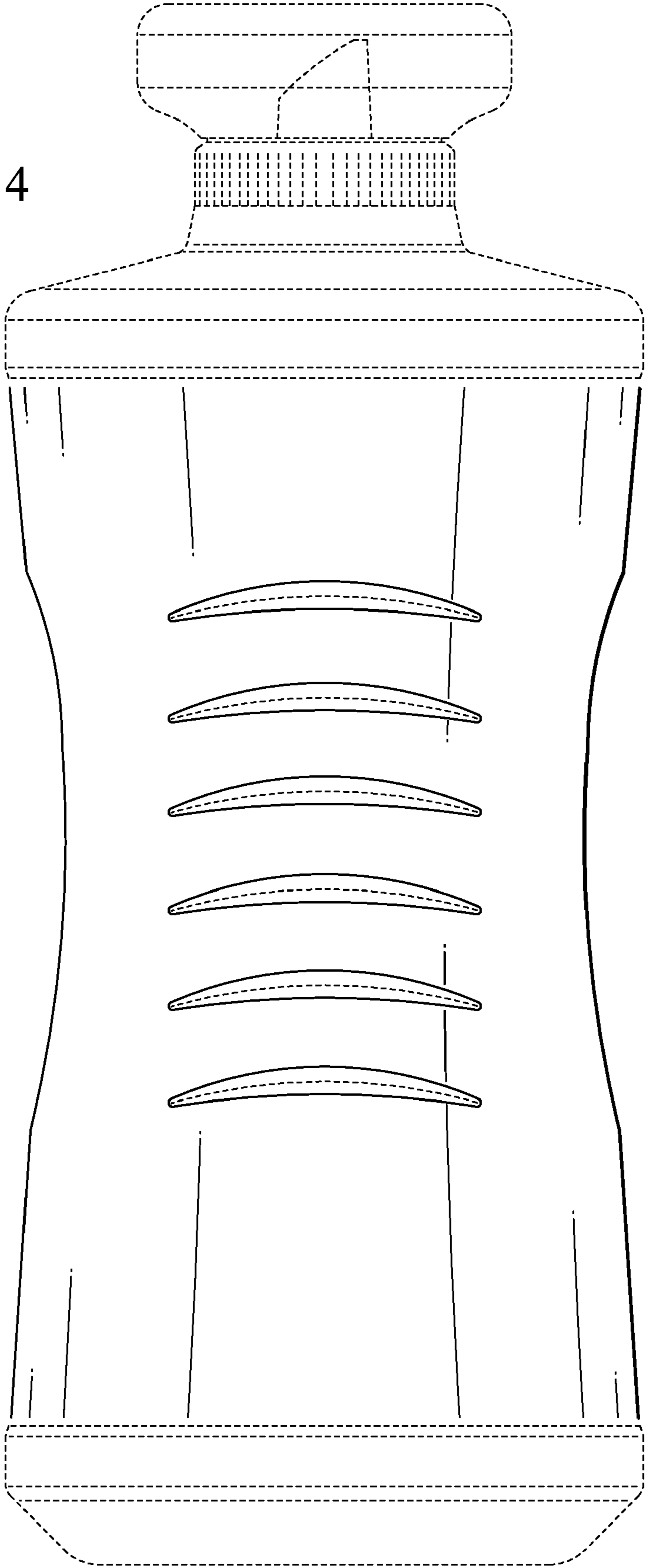
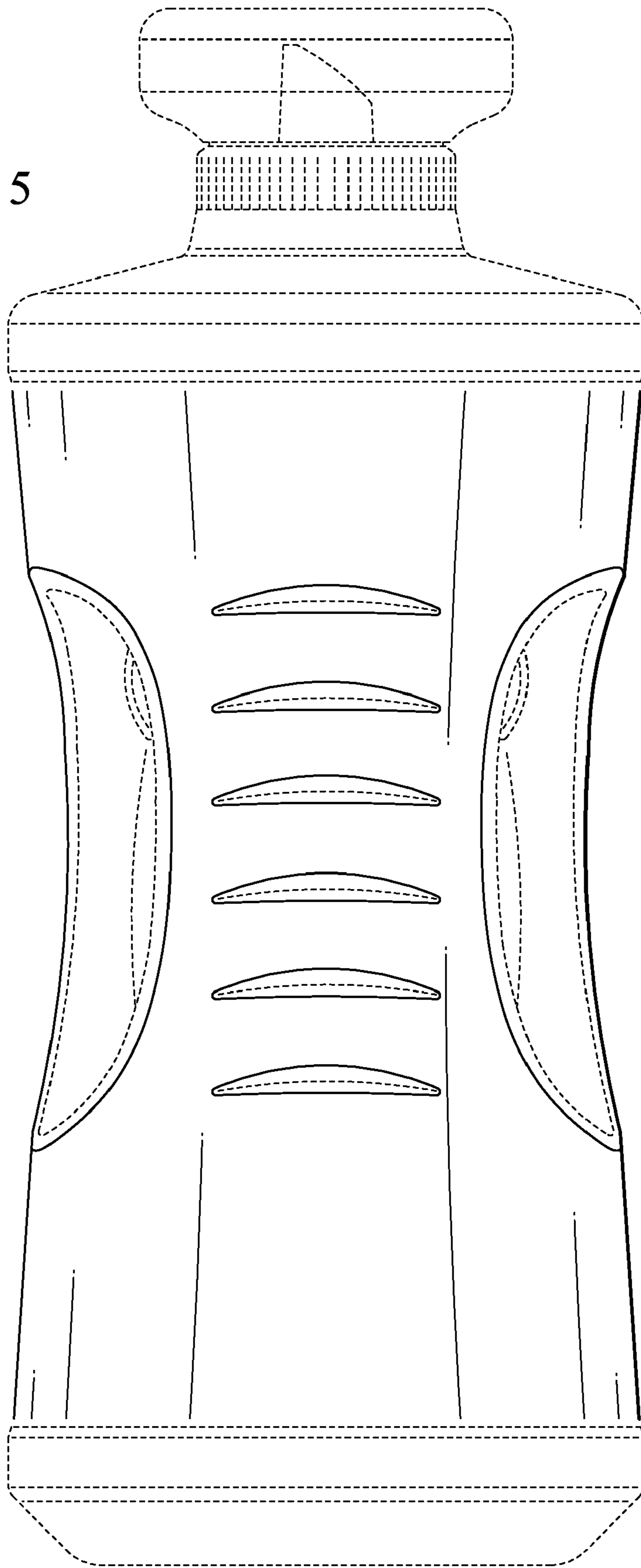


FIG. 5



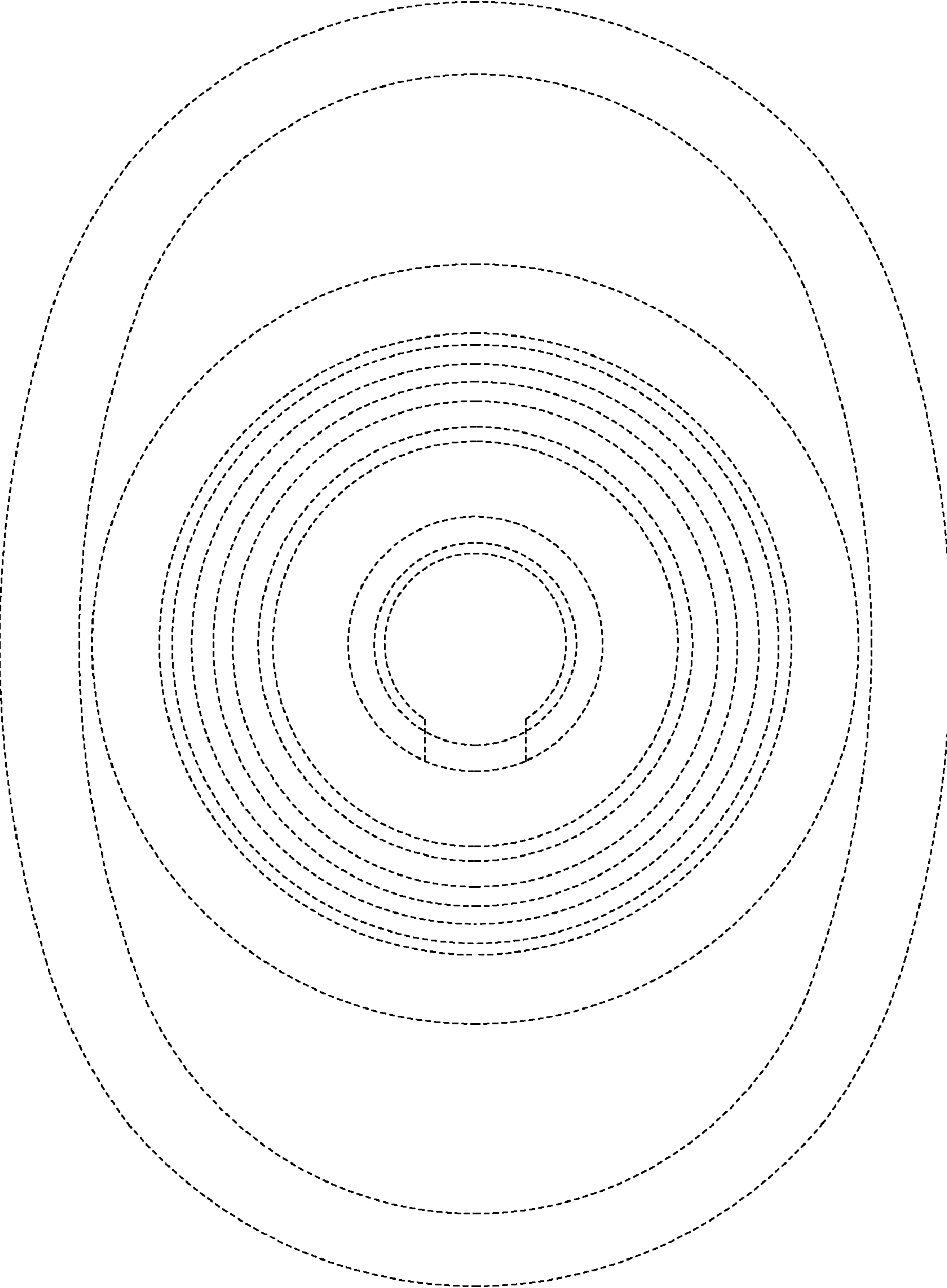


FIG. 6

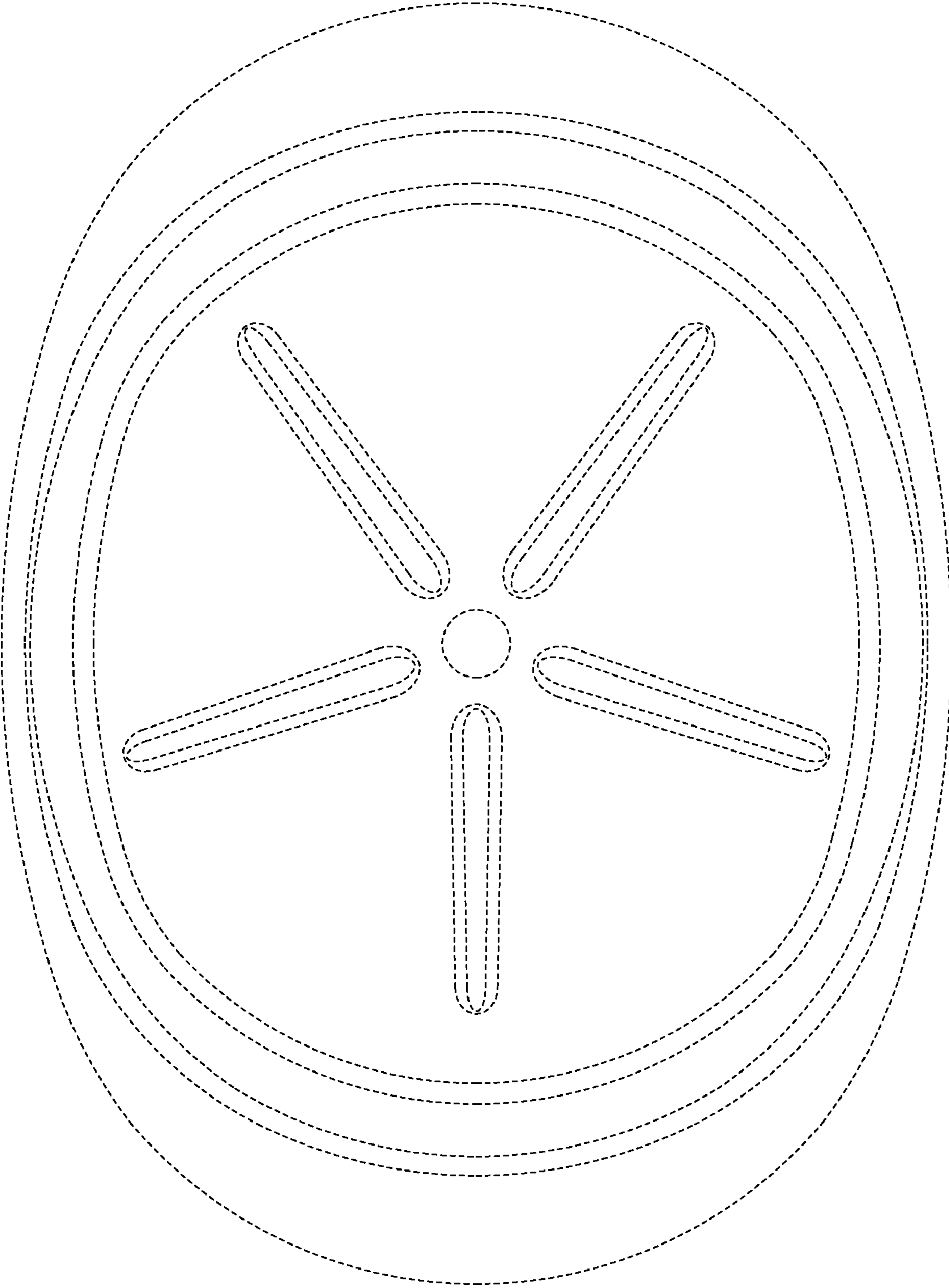


FIG. 7