

US00D607329S

(12) **United States Design Patent**
Diss

(10) **Patent No.:** **US D607,329 S**
(45) **Date of Patent:** **** Jan. 5, 2010**

(54) **CONTAINER**

(75) Inventor: **Thomas S. Diss**, Waukesha, WI (US)

(73) Assignee: **Silgan Containers LLC**, Woodland Hills, CA (US)

(**) Term: **14 Years**

(21) Appl. No.: **29/318,027**

(22) Filed: **May 12, 2008**

(51) **LOC (9) Cl.** **09-01**

(52) **U.S. Cl.** **D9/500; D9/428; D7/587**

(58) **Field of Classification Search** D9/500,
D9/502, 516, 549, 556-558, 414, 424-426,
D9/428-429; D7/601-602, 629-630; 215/379,
215/381-383; 220/574, 657, 660, 669-673,
220/675

See application file for complete search history.

(56) **References Cited**

U.S. PATENT DOCUMENTS

2,614,727	A *	10/1952	Robinson	220/780
3,381,872	A *	5/1968	Holder et al.	220/203.09
3,395,826	A *	8/1968	Belcher et al.	206/519
D212,525	S	10/1968	Kneapler		
D221,625	S *	8/1971	Kinney	D9/428
D224,516	S	8/1972	Amberg		
D234,251	S	2/1975	Edwards		
D235,184	S	5/1975	Achenbach		
D239,999	S *	5/1976	Christian	D7/584
D288,065	S *	2/1987	Tyler	D9/429
4,804,105	A	2/1989	Zysset et al.		
5,040,698	A	8/1991	Ramsey et al.		
5,052,573	A	10/1991	Zysset		
D345,105	S	3/1994	Ramsey		
D352,898	S	11/1994	Vacher		

D355,129 S 2/1995 Gruodis
D355,368 S 2/1995 Gruodis
D367,426 S 2/1996 Ruff

(Continued)

FOREIGN PATENT DOCUMENTS

WO DM/046294 10/1998

(Continued)

OTHER PUBLICATIONS

U.S. Appl. No. 29/298,989, filed Dec. 17, 2007, Diss.

(Continued)

Primary Examiner—Charles A Rademaker

Assistant Examiner—Dana L Sipos

(74) *Attorney, Agent, or Firm*—Foley & Larndner LLP

(57) **CLAIM**

I claim the ornamental design for a container, as shown and described.

DESCRIPTION

FIG. 1 is a top, perspective view of a container showing our new design;

FIG. 2 is a bottom perspective view thereof;

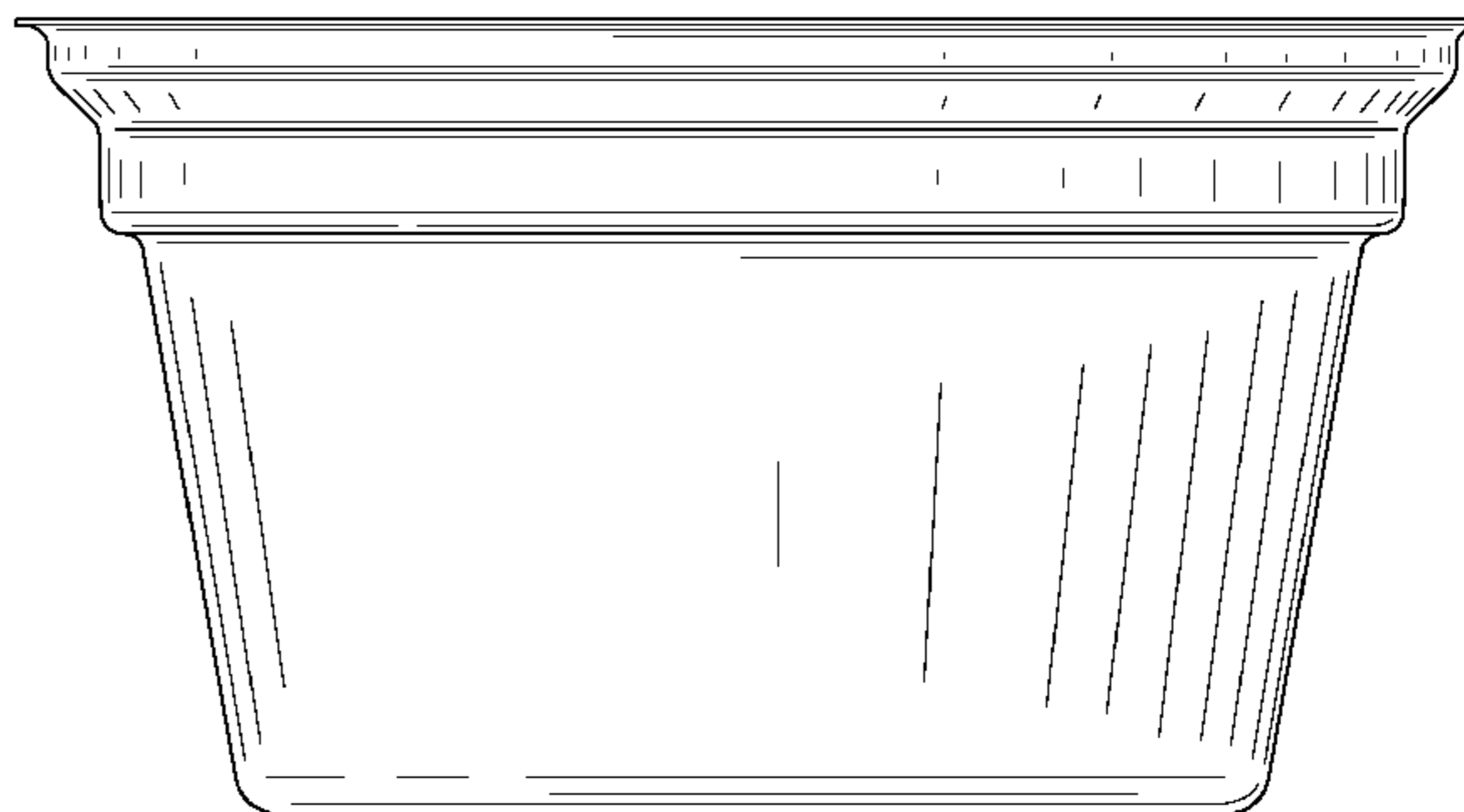
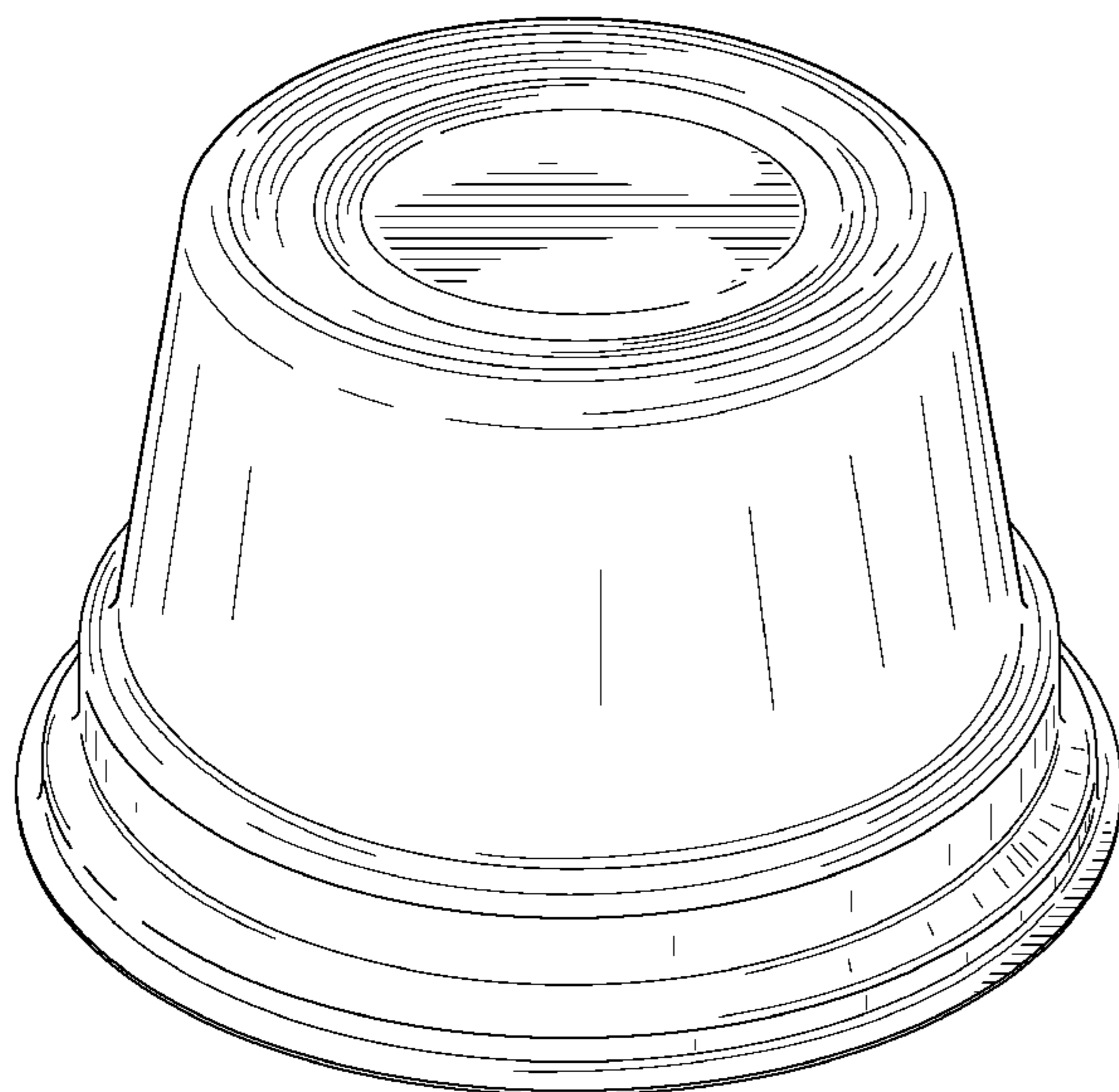
FIG. 3 is a front elevation view thereof, the left side, right side and rear elevation views being identical;

FIG. 4 is a top plan view thereof; and,

FIG. 5 is a bottom plan view thereof.

The ornamental design which is claimed is shown in solid lines in the drawings. The broken lines in the drawings are for illustrative purposes only and form no part of the claimed design.

1 Claim, 5 Drawing Sheets



US D607,329 S

U.S. PATENT DOCUMENTS					
D378,572 S	3/1997	Culverwell et al.	D445,693 S	7/2001	Rashid
D381,259 S	7/1997	Hayes	D445,694 S	7/2001	Gans
5,711,448 A	1/1998	Clarke, III	D446,455 S	8/2001	McGowan
5,720,412 A	2/1998	Ficken	D446,458 S	8/2001	Gans
5,722,561 A	3/1998	Biondich et al.	D447,061 S	8/2001	Peek
5,749,488 A	5/1998	Bagwell et al.	6,280,679 B1	8/2001	Rashid et al.
D398,531 S	9/1998	DeVries	D447,422 S	9/2001	Peek
D399,129 S	10/1998	Ramsey	D448,302 S	9/2001	Cheng et al.
D399,425 S	10/1998	Ramsey	D448,303 S	9/2001	Cheng et al.
D399,428 S	10/1998	Ramsey	D448,304 S	9/2001	Cheng et al.
D399,429 S	10/1998	Ramsey	6,294,131 B1	9/2001	Jaffrey
D399,430 S	10/1998	Ramsey	D448,666 S	10/2001	Fields
D399,452 S *	10/1998	Durbin D11/152	D448,671 S	10/2001	Gans et al.
D399,753 S	10/1998	Ramsey	D448,672 S	10/2001	Cheng et al.
D401,152 S	11/1998	DeVore et al.	D448,675 S	10/2001	Thierjung
D403,962 S	1/1999	Ramsey	D448,677 S	10/2001	Krich
D403,963 S	1/1999	Ramsey	D449,539 S	10/2001	Lakatosh et al.
D406,065 S	2/1999	Cheng	D449,993 S	11/2001	Schumann
D406,236 S	3/1999	Brifcani et al.	D450,244 S	11/2001	Rashid
D409,496 S	5/1999	Ramsey	6,321,927 B2	11/2001	Cavella
D411,106 S	6/1999	Conrad	D453,003 S	1/2002	Rashid
D412,118 S	7/1999	Rodea	6,341,709 B1	1/2002	Wilson
D412,441 S	8/1999	Cheng et al.	6,347,717 B1	2/2002	Eberle
D413,519 S	9/1999	Eberle et al.	D454,073 S	3/2002	Crawford
5,957,647 A	9/1999	Hinton	D455,656 S	4/2002	Gans et al.
D414,693 S	10/1999	Cheng et al.	6,374,657 B1	4/2002	Kirk et al.
D416,200 S	11/1999	Pavely et al.	D456,712 S	5/2002	Krich
5,988,416 A	11/1999	Cheng et al.	D457,435 S	5/2002	Rashid
5,988,417 A	11/1999	Cheng et al.	6,398,052 B1	6/2002	Cheng et al.
D417,392 S	12/1999	Zhang	6,419,874 B2	7/2002	Rashid et al.
D419,058 S	1/2000	Roth et al.	D464,569 S	10/2002	Moore et al.
D419,444 S	1/2000	Zhang	D465,158 S	11/2002	Peek et al.
D419,886 S	2/2000	Gans	D465,418 S	11/2002	Thierjung
D420,587 S	2/2000	Cheng et al.	D466,019 S	11/2002	Thierjung et al.
D421,393 S	3/2000	Pavely et al.	D466,021 S	11/2002	Thierjung et al.
D421,720 S	3/2000	Eberle et al.	D466,024 S	11/2002	Thierjung et al.
D421,907 S	3/2000	Benge et al.	D466,813 S	12/2002	Thierjung et al.
D423,336 S	4/2000	Gray	D466,817 S	12/2002	Thierjung et al.
D423,365 S	4/2000	Eberle et al.	D469,360 S	1/2003	Moore et al.
D425,424 S	5/2000	Cheng et al.	D474,110 S *	5/2003	Sweeney D9/428
6,062,409 A	5/2000	Eberle	6,575,684 B2	6/2003	Heinicke et al.
D426,160 S *	6/2000	Lindsay et al. D9/500	D476,889 S	7/2003	Fields
D426,164 S	6/2000	Gans et al.	D476,896 S	7/2003	Cheng et al.
D427,057 S	6/2000	Roth et al.	6,585,125 B1	7/2003	Peek
D427,514 S	7/2000	Roth et al.	D478,286 S	8/2003	Futral et al.
D427,515 S	7/2000	Roth et al.	D478,287 S	8/2003	Corker et al.
D427,905 S	7/2000	Eberle	D479,999 S	9/2003	Moore
6,092,688 A	7/2000	Eberle et al.	D480,650 S	10/2003	Moore et al.
D429,150 S *	8/2000	Lindsay et al. D9/425	D480,956 S	10/2003	Mooney et al.
D429,151 S	8/2000	Cheng et al.	D480,957 S	10/2003	Mooney et al.
D429,164 S	8/2000	Peek et al.	D481,317 S	10/2003	Corker et al.
6,095,360 A	8/2000	Shmagin et al.	D484,808 S	1/2004	Thierjung et al.
6,123,211 A	9/2000	Rashid et al.	D485,182 S	1/2004	Gaydon
D431,465 S	10/2000	Cheng et al.	6,685,417 B2	2/2004	Heinicke et al.
D431,470 S	10/2000	Henderson	D489,983 S	5/2004	Futral et al.
D432,423 S	10/2000	Rashid	D489,984 S	5/2004	Futral et al.
D432,424 S	10/2000	Andrew	D491,288 S	6/2004	Young
6,131,761 A	10/2000	Cheng et al.	D493,370 S	7/2004	Kamineni et al.
D435,455 S	12/2000	Gans	D494,475 S	8/2004	Thierjung et al.
6,161,713 A	12/2000	Krich	6,769,561 B2	8/2004	Futral et al.
6,164,474 A	12/2000	Cheng et al.	D498,143 S	11/2004	Rashid
6,164,480 A	12/2000	Heinicke et al.	6,877,607 B2	4/2005	Jenkins
D437,229 S	2/2001	Andrew	6,889,862 B2	5/2005	Vaughan
D437,230 S	2/2001	Andrew	D507,485 S	7/2005	Fields
6,206,222 B1	3/2001	Cudzik	D510,024 S	9/2005	Jacober et al.
6,213,325 B1	4/2001	Cheng et al.	D511,458 S	11/2005	Dunwoody et al.
6,220,475 B1	4/2001	Nayar et al.	D512,917 S	12/2005	Frisch et al.
D441,295 S	5/2001	Krich	D517,417 S	3/2006	Livingston et al.
6,230,912 B1	5/2001	Rashid	D522,371 S	6/2006	Livingston
D443,751 S *	6/2001	Cox et al. D1/102	D523,341 S	6/2006	Livingston et al.
D445,339 S	7/2001	Bazlur	D523,347 S	6/2006	Livingston
			D525,129 S	7/2006	Hutter et al.
			D525,139 S	7/2006	Livingston et al.

US D607,329 S

Page 3

D525,530 S 7/2006 Livingston et al.
7,108,469 B2 9/2006 Jenkins
7,112,771 B2 9/2006 Richardson et al.
D530,614 S 10/2006 Gatewood
D532,306 S 11/2006 MacLeod et al.
7,134,565 B1 11/2006 Wan et al.
D533,783 S 12/2006 Kliger et al.
D534,079 S 12/2006 Livingston
D534,428 S 1/2007 Reed et al.
D538,645 S 3/2007 McDowell et al.
D538,646 S 3/2007 McDowell et al.
D538,660 S 3/2007 Gatewood
7,198,168 B2 4/2007 Mizuma
D542,130 S 5/2007 McDowell et al.
D542,650 S 5/2007 McDowell et al.
D546,183 S 7/2007 Clutter
7,243,808 B2 7/2007 Livingston et al.
D562,685 S 2/2008 Millspaw et al.
D572,168 S * 7/2008 Kurtz D11/152
2001/0002671 A1 6/2001 Heinicke et al.
2001/0009107 A1 7/2001 Cheng et al.
2001/0009244 A1 7/2001 Cheng et al.
2002/0172578 A1 11/2002 Heinicke et al.
2005/0082299 A1 4/2005 Jenkins
2006/0131257 A1 6/2006 Gatewood et al.
2006/0186082 A1 8/2006 Gatewood et al.
2007/0012648 A1 1/2007 Gatewood
2007/0068943 A1 3/2007 Ramsey et al.
2007/0102425 A1 5/2007 Richardson et al.
2007/0108196 A1 5/2007 Richardson et al.
2007/0108197 A1 5/2007 Richardson et al.
2007/0108198 A1 5/2007 Richardson et al.

2007/0138181 A1 6/2007 Heinicke et al.

FOREIGN PATENT DOCUMENTS

WO DM/051799 3/2000

OTHER PUBLICATIONS

U.S. Appl. No. 29/305,877, filed Mar. 28, 2008, Diss et al.
U.S. Appl. No. 29/305,883, filed Mar. 28, 2008, Diss et al.
U.S. Appl. No. 29/305,882, filed Mar. 28, 2008, Diss et al.
U.S. Appl. No. 29/305,878, filed Mar. 28, 2008, Diss et al.
U.S. Appl. No. 29/302,067, filed Jan. 9, 2008, Millspaw et al.
U.S. Appl. No. 29/304,271, filed Feb. 27, 2008, Metzger et al.
U.S. Appl. No. 29/305,881, filed Mar. 28, 2008, Diss et al.
U.S. Appl. No. 29/305,880, filed Mar. 28, 2008, Diss et al.
U.S. Appl. No. 29/305,879, filed Mar. 28, 2008, Diss et al.
U.S. Appl. No. 29/306,261, filed Apr. 4, 2008, VanScoyoc et al.
U.S. Appl. No. 29/306,263, filed Apr. 4, 2008, Ziegler et al.
U.S. Appl. No. 29/306,258, filed Apr. 4, 2008, Ziegler.
U.S. Appl. No. 29/306,257, filed Apr. 4, 2008, Ziegler et al.
U.S. Appl. No. 29/318,021, filed May 12, 2008, Takata et al.
U.S. Appl. No. 29/318,022, filed May 12, 2008, Murphy et al.
U.S. Appl. No. 29/318,023, filed May 12, 2008, Diss.
U.S. Appl. No. 29/318,024, filed May 12, 2008, Diss.
U.S. Appl. No. 29/318,025, filed May 12, 2008, Diss.
U.S. Appl. No. 29/318,026, filed May 12, 2008, Takata et al.
U.S. Appl. No. 29/318,027, filed May 12, 2008, Diss.
U.S. Appl. No. 29/318,028, filed May 12, 2008, Murphy et al.
U.S. Appl. No. 29/318,029, filed May 12, 2008, Takata et al.
U.S. Appl. No. 29/318,030, filed May 12, 2008, Murphy et al.
U.S. Appl. No. 29/318,031, filed May 12, 2008, Murphy et al.
U.S. Appl. No. 29/312,033, filed May 12, 2008, Murphy et al.
U.S. Appl. No. 29/318,036, filed May 12, 2008, Murphy et al.
U.S. Appl. No. 29/318,041, filed May 12, 2008, Takata et al.

* cited by examiner

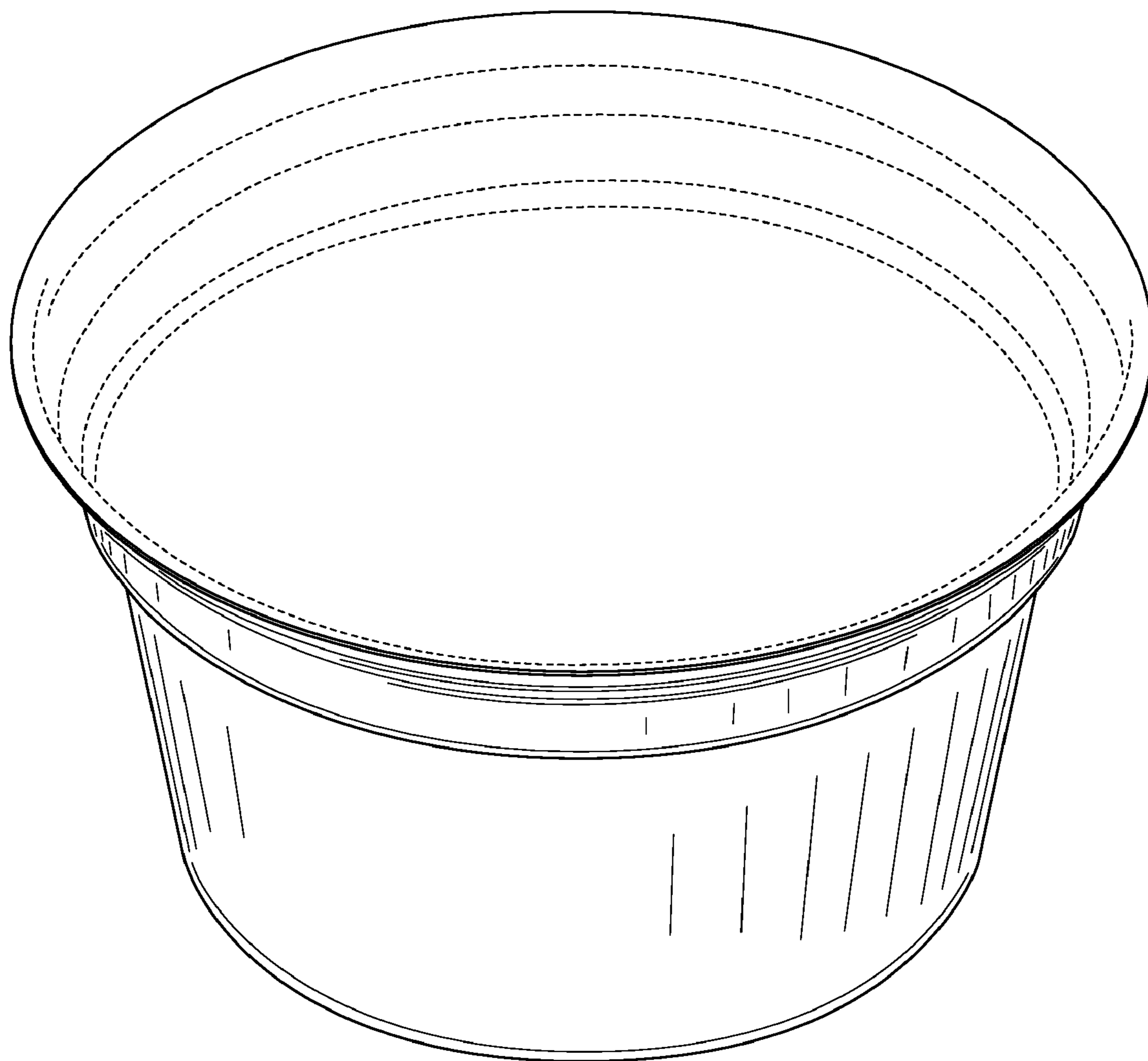


FIG. 1

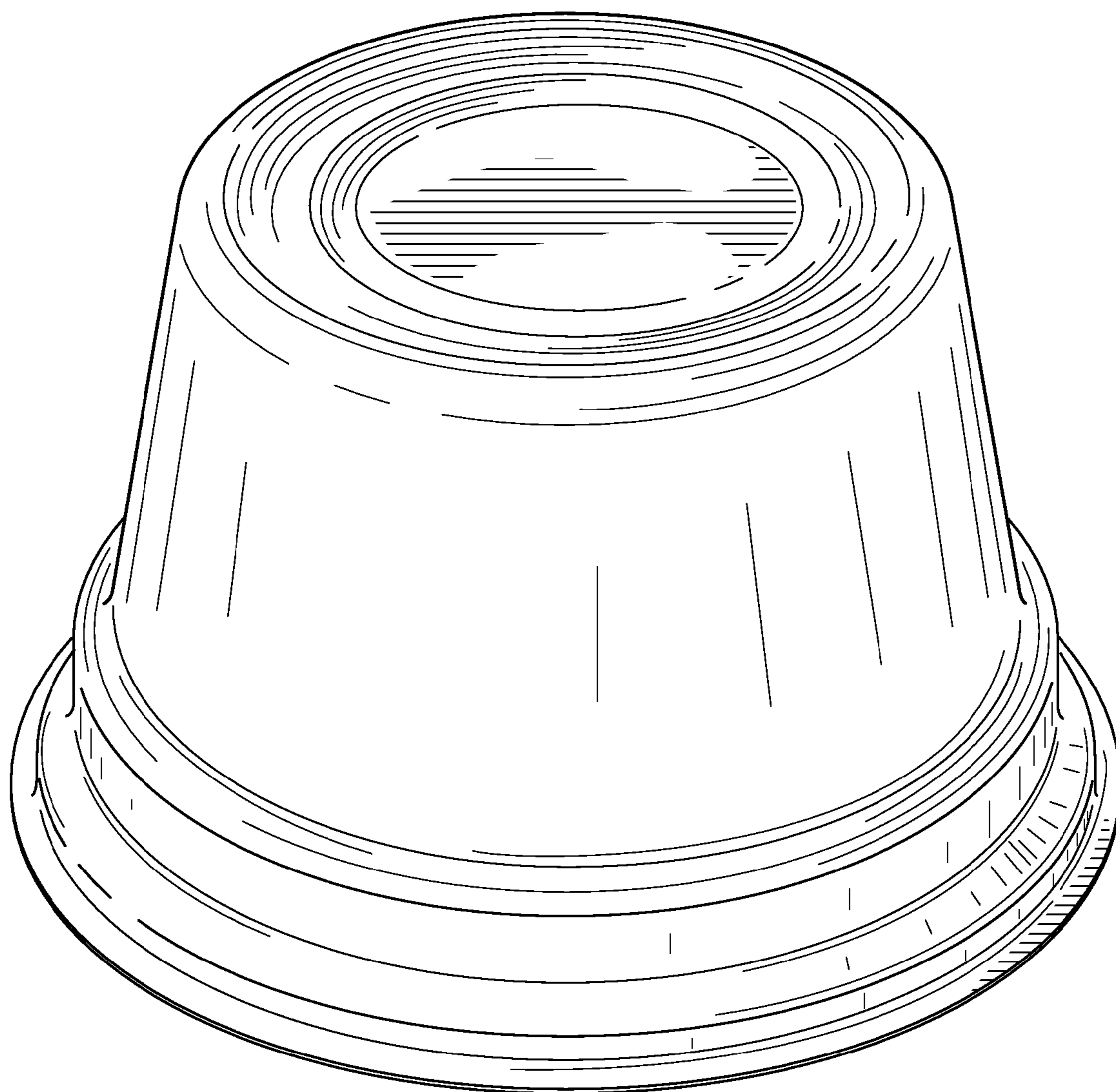


FIG. 2

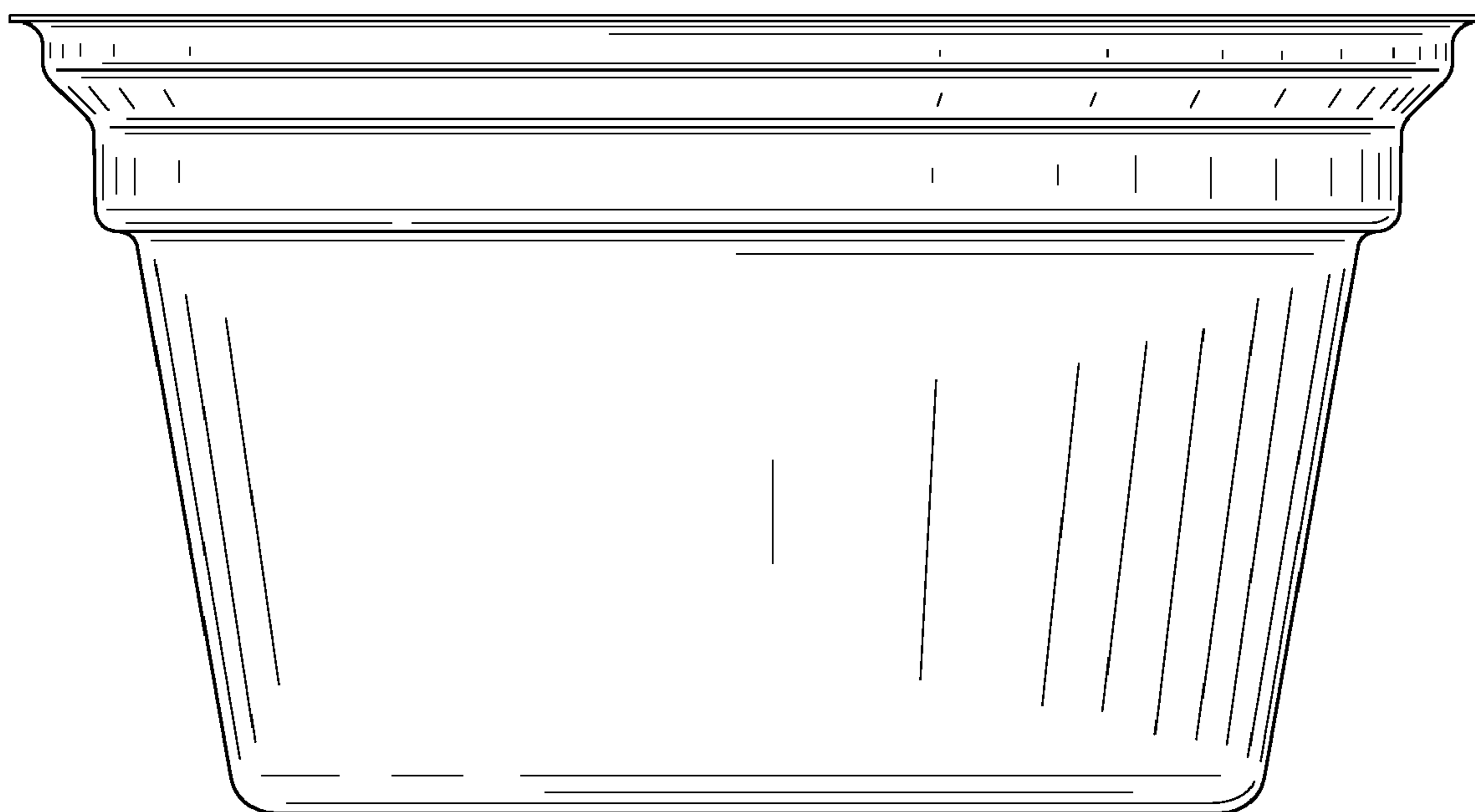


FIG. 3

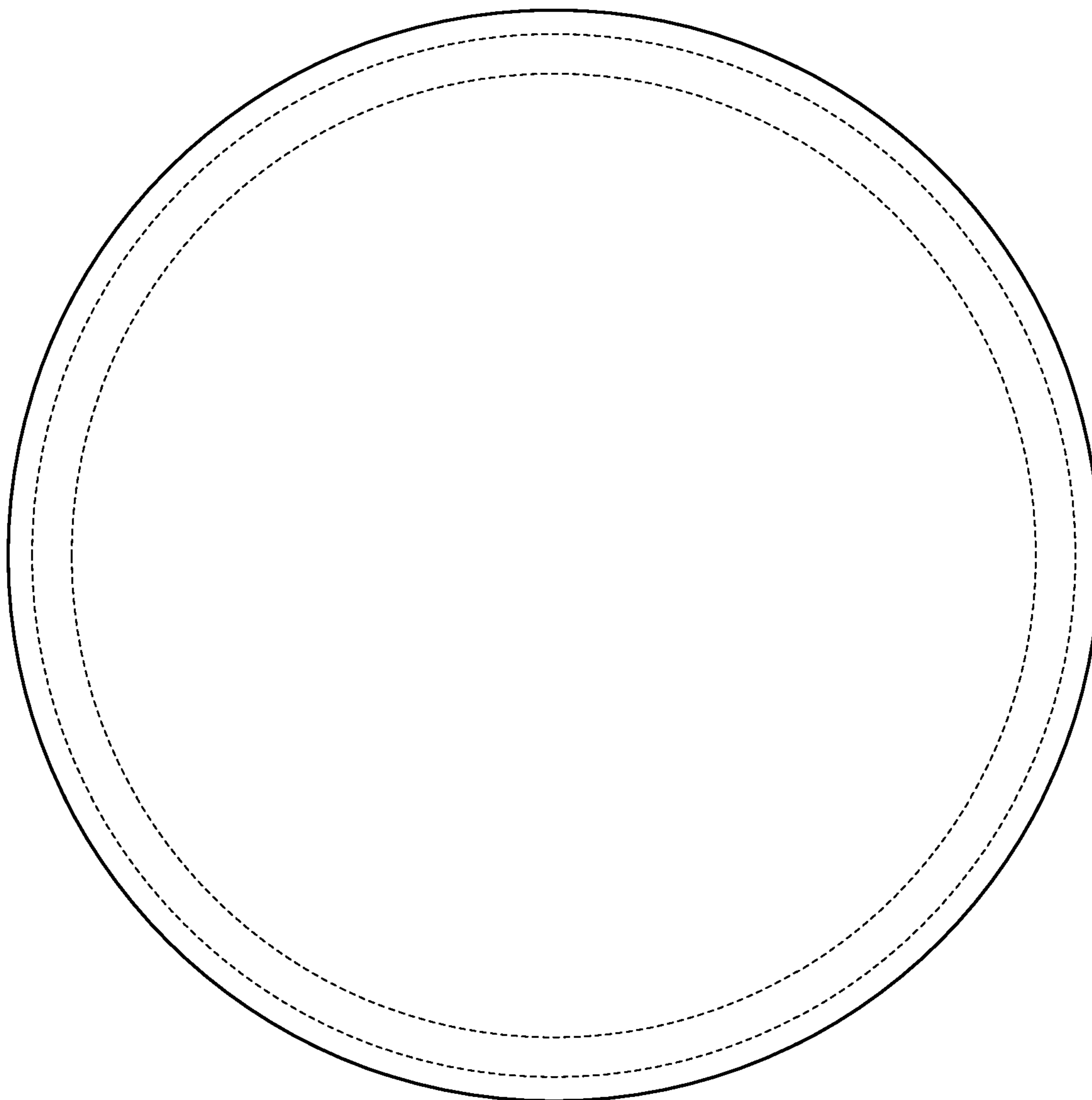


FIG. 4

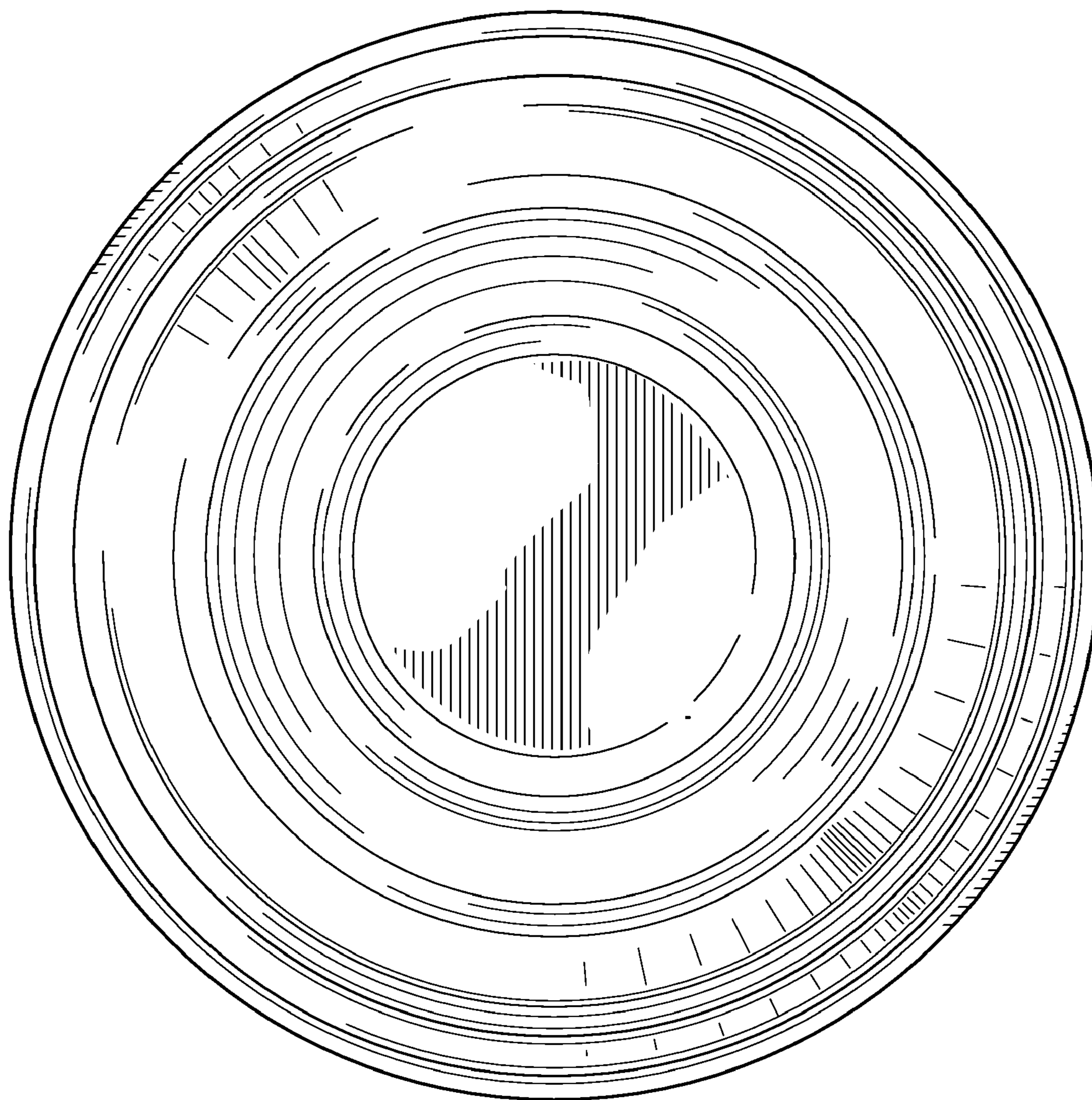


FIG. 5