



US00D607326S

(12) **United States Design Patent**
Branson et al.

(10) **Patent No.:** **US D607,326 S**
(45) **Date of Patent:** **** Jan. 5, 2010**

(54) **SQUEEZE-AND-TURN CHILD RESISTANT CLOSURE**

(75) Inventors: **Mark K. Branson**, Newburgh, IN (US);
Karla Koring, Mount Vernon, IN (US);
Clifton C. Willis, Evansville, IN (US)

(73) Assignee: **Rexam Closures and Containers Inc.**,
Evansville, IN (US)

(**) Term: **14 Years**

(21) Appl. No.: **29/328,513**

(22) Filed: **Nov. 25, 2008**

(51) **LOC (9) Cl.** **09-07**

(52) **U.S. Cl.** **D9/453**

(58) **Field of Classification Search** D9/772,
D9/724, 556, 529, 454, 453, 452, 449, 443,
D9/439; D8/312, 107; D7/392.1; D23/261;
D14/217; D12/197; 229/123.1; 222/541.2;
220/288; 215/350, 344, 295, 270, 256, 252,
215/218, 216, 209, 206

See application file for complete search history.

(56) **References Cited**

U.S. PATENT DOCUMENTS

2,752,060 A	6/1956	Martin
3,917,097 A	11/1975	Uhlig
3,923,181 A	12/1975	Libit
3,941,268 A	3/1976	Owens et al.
3,949,893 A	4/1976	Uhlig
3,984,021 A	10/1976	Uhlig
4,002,258 A *	1/1977	Curry 215/206
4,117,945 A	10/1978	Mumford
5,413,233 A	5/1995	Hall
5,671,853 A	9/1997	Herr
5,687,863 A	11/1997	Kusz
5,722,546 A	3/1998	Briere
D399,743 S	10/1998	Coon et al.

5,829,609 A	11/1998	Beck
5,836,466 A	11/1998	Briere et al.
D404,303 S *	1/1999	Webster D9/443
5,918,752 A	7/1999	Meyer
5,927,526 A	7/1999	Herr
6,036,036 A	3/2000	Bilani et al.
6,102,223 A	8/2000	Montgomery
6,105,801 A	8/2000	Minnette
6,112,921 A	9/2000	Robinson
D470,051 S *	2/2003	Bloom et al. D9/435
D476,563 S	7/2003	Brozell et al.
D481,948 S	11/2003	Brozell et al.
RE38,399 E	1/2004	Montgomery
D586,213 S *	2/2009	Wells et al. D9/453
2007/0051692 A1	3/2007	Robinson

* cited by examiner

Primary Examiner—Susan Bennett Hattan

(74) *Attorney, Agent, or Firm*—Chad D. Bruggeman; John F. Salazar; Middleton Reutlinger

(57) **CLAIM**

The ornamental design for a squeeze-and-turn child resistant closure, as shown and described.

DESCRIPTION

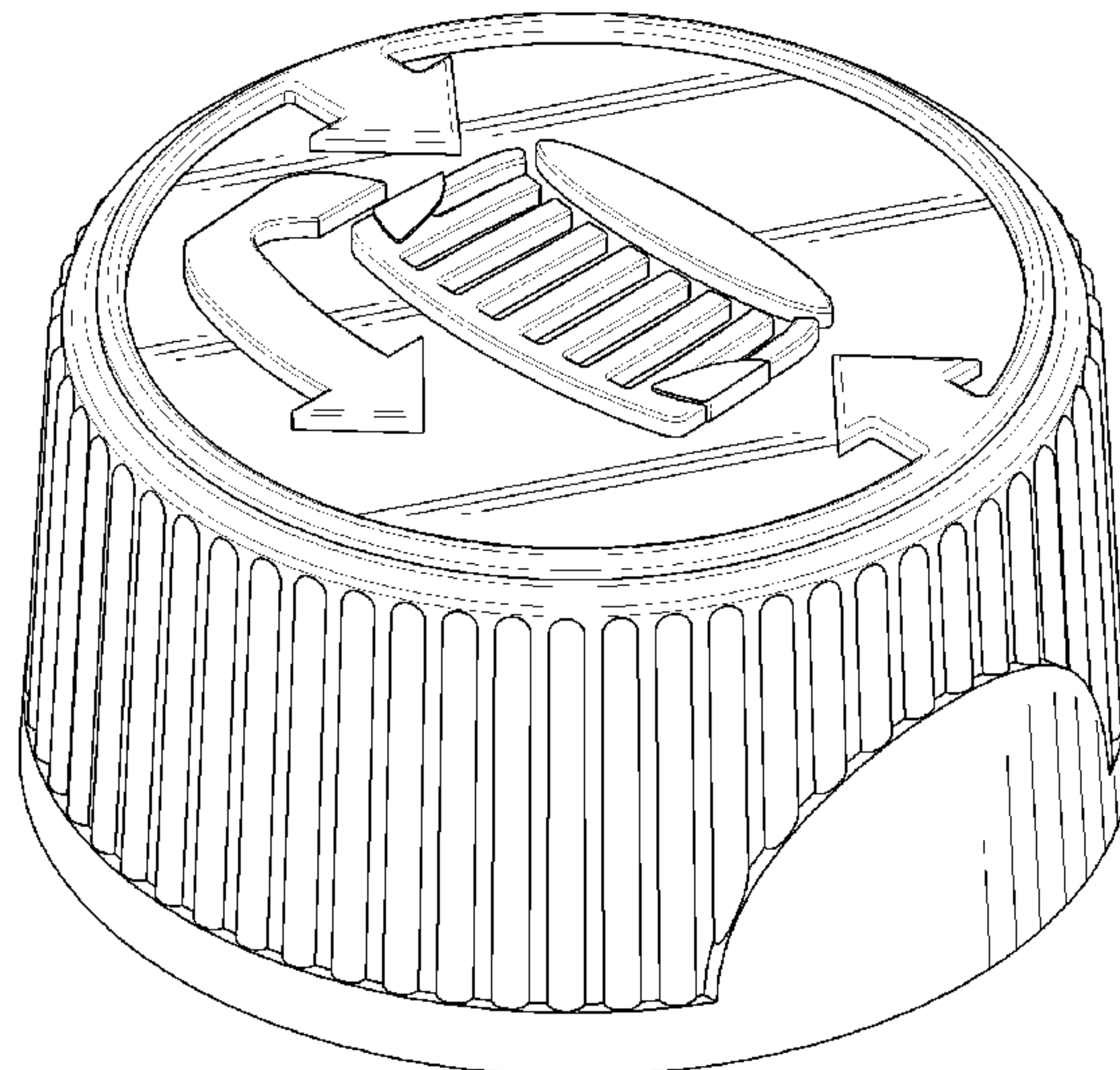
FIG. 1 is a top perspective view of the squeeze-and-turn child resistant closure;

FIG. 2 is a top view of the squeeze-and-turn child resistant closure according to FIG. 1, the bottom of the closure being without ornamentation and forming no part of the claimed design;

FIG. 3 is a front or back view of the squeeze-and-turn child resistant closure according to FIG. 1, the two views being identical; and,

FIG. 4 is a left or right side view of the squeeze-and-turn child resistant closure according to FIG. 1, the two views being identical.

1 Claim, 4 Drawing Sheets



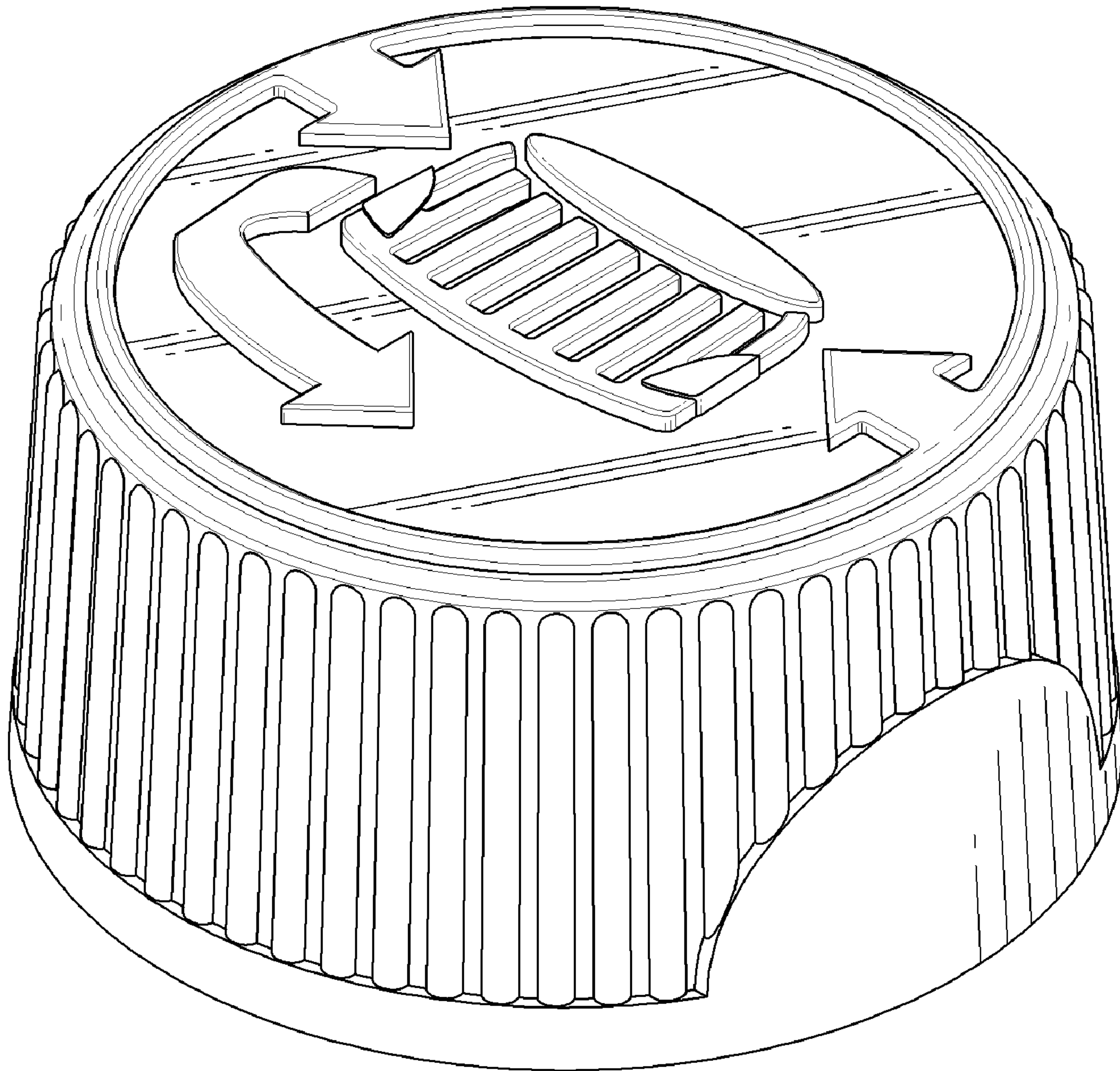


FIG. 1

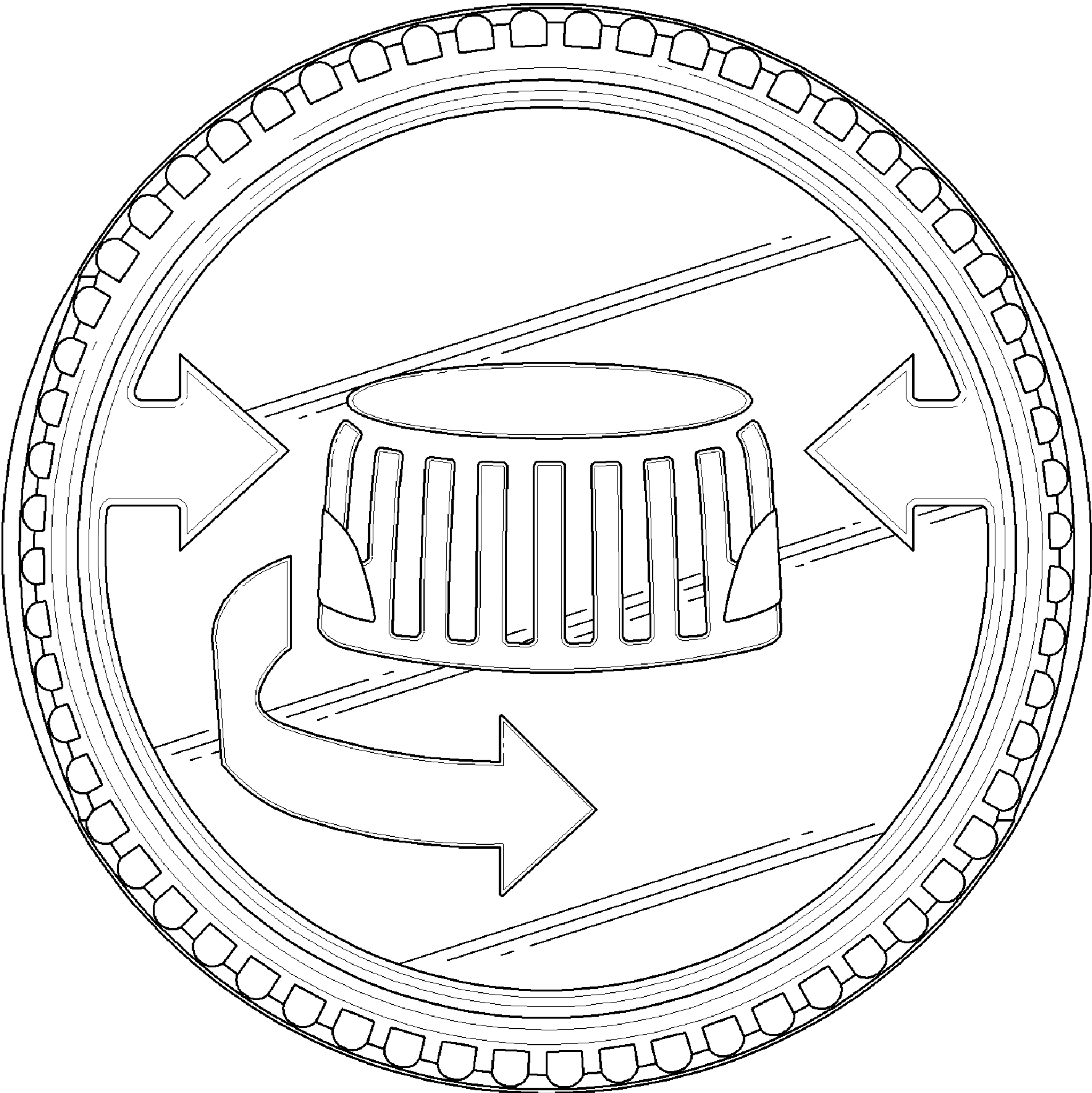


FIG. 2

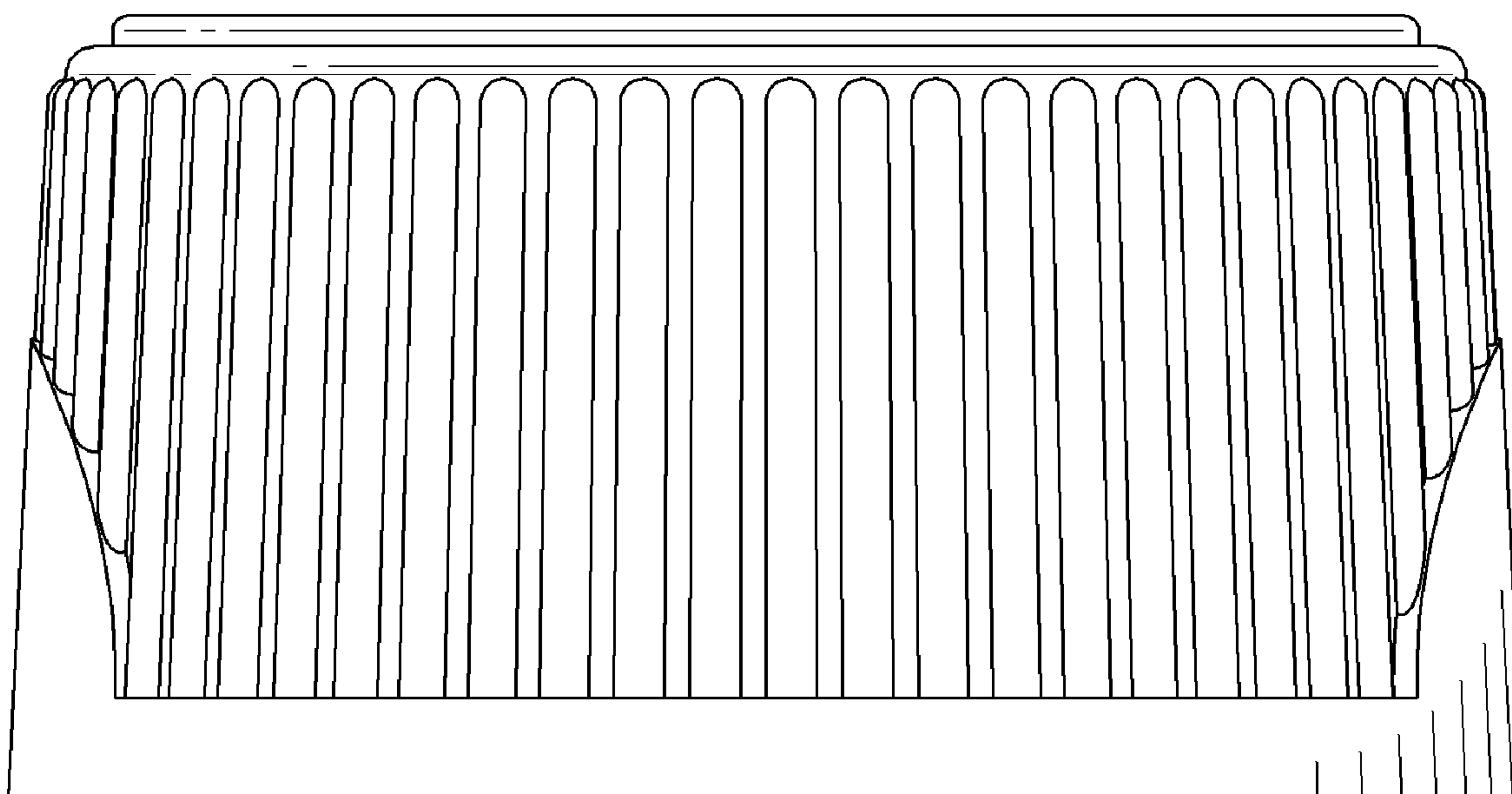


FIG. 3

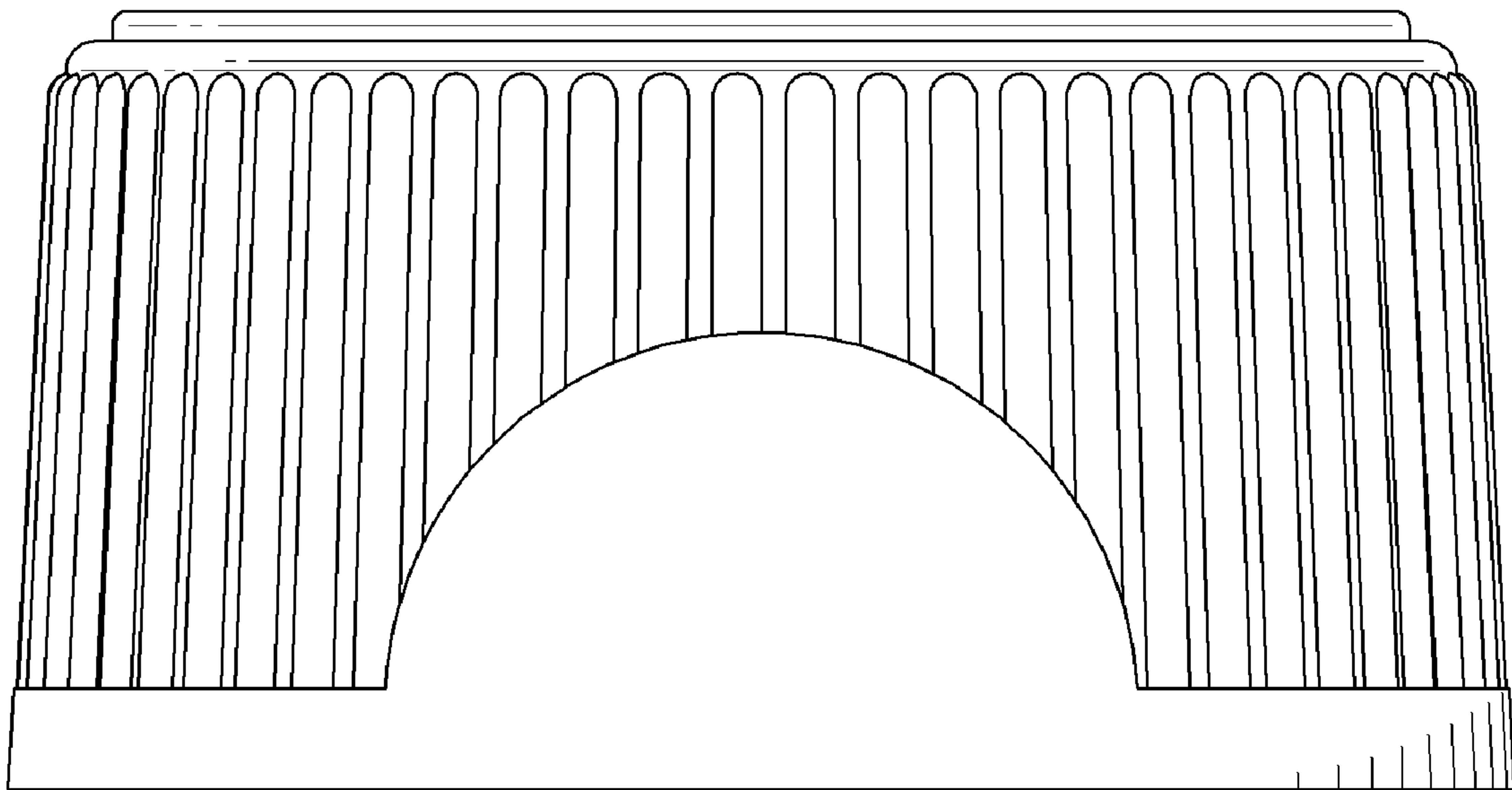


FIG. 4