



US00D607324S

(12) **United States Design Patent**
Cho et al.

(10) **Patent No.:** **US D607,324 S**
(45) **Date of Patent:** **** Jan. 5, 2010**

(54) **BOTTLE CAP FOR PACKAGING**

(76) Inventors: **Hun Cho**, 202 Ho, 896-13 Bongchon 4-Dong, Kwanak-Gu, Seoul (KR) 151-839; **Jeong-Hoon Cha**, 313-2001 Ok-Hyun Apt., Muger-Dong, Nam-Gu, Ulsan, Gyeongsangnam-Do (KR) 680-764; **Chan-Min Jung**, 314-104 Ok-Hyun Apt., Muger-Dong, Nam-Gu, Ulsan, Gyeongsangnam-Do (KR) 680-764; **Byong-Wook Jung**, 606-1006 Pyong-Chang 3rd Apt., Samsan-Dong, Nam-Gu, Ulsan, Gyeongsangnam-Do (KR) 680-770

(**) Term: **14 Years**

(21) Appl. No.: **29/309,839**

(22) Filed: **Oct. 23, 2008**

(30) **Foreign Application Priority Data**

Apr. 28, 2008 (KR) 30-2008-0017835

(51) **LOC (9) Cl.** **09-07**

(52) **U.S. Cl.** **D9/453**

(58) **Field of Classification Search** D9/772, D9/724, 556, 529, 454, 453, 452, 449, 443, D9/439; D8/312, 107; D7/392.1; D23/261; D14/217; D12/197; 229/123.1; 222/541.2; 220/288; 215/350, 344, 295, 270, 256, 252, 215/218, 216, 209, 206

See application file for complete search history.

(56) **References Cited**

U.S. PATENT DOCUMENTS

D485,150 S * 1/2004 Loparo D8/107
D568,450 S * 5/2008 King et al. D23/261

* cited by examiner

Primary Examiner—Susan Bennett Hattan
(74) *Attorney, Agent, or Firm*—GWiPS

(57) **CLAIM**

I claim the ornamental design for a bottle cap for packaging, as shown and described.

DESCRIPTION

FIG. 1 is a perspective view showing a new design of bottle cap for packaging.

FIG. 2 is a front view thereof.

FIG. 3 is a rear view thereof.

FIG. 4 is a left side view thereof.

FIG. 5 is a right side view thereof.

FIG. 6 is a plan view thereof; and,

FIG. 7 is a bottom view thereof.

1 Claim, 3 Drawing Sheets

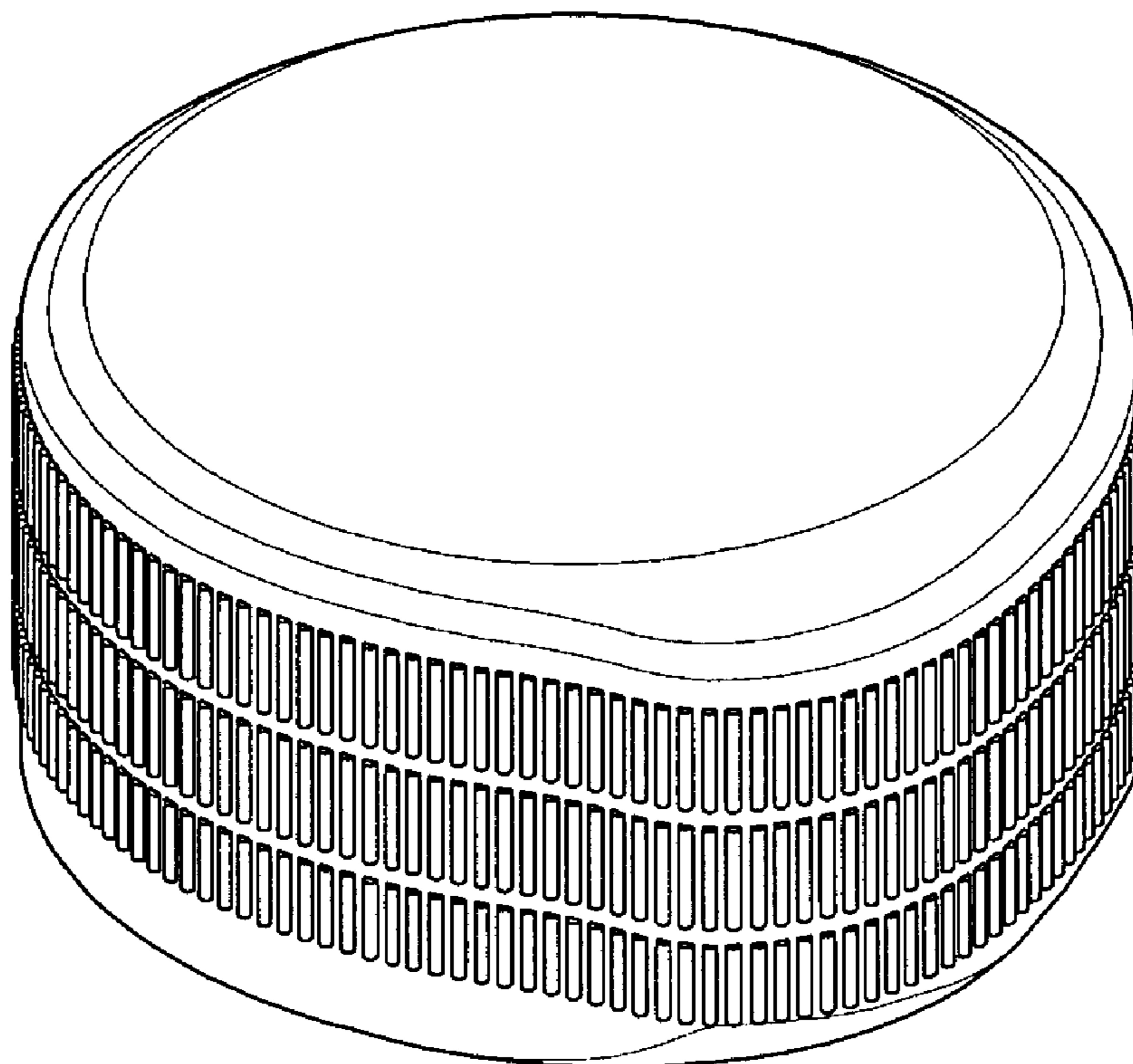


Fig. 1

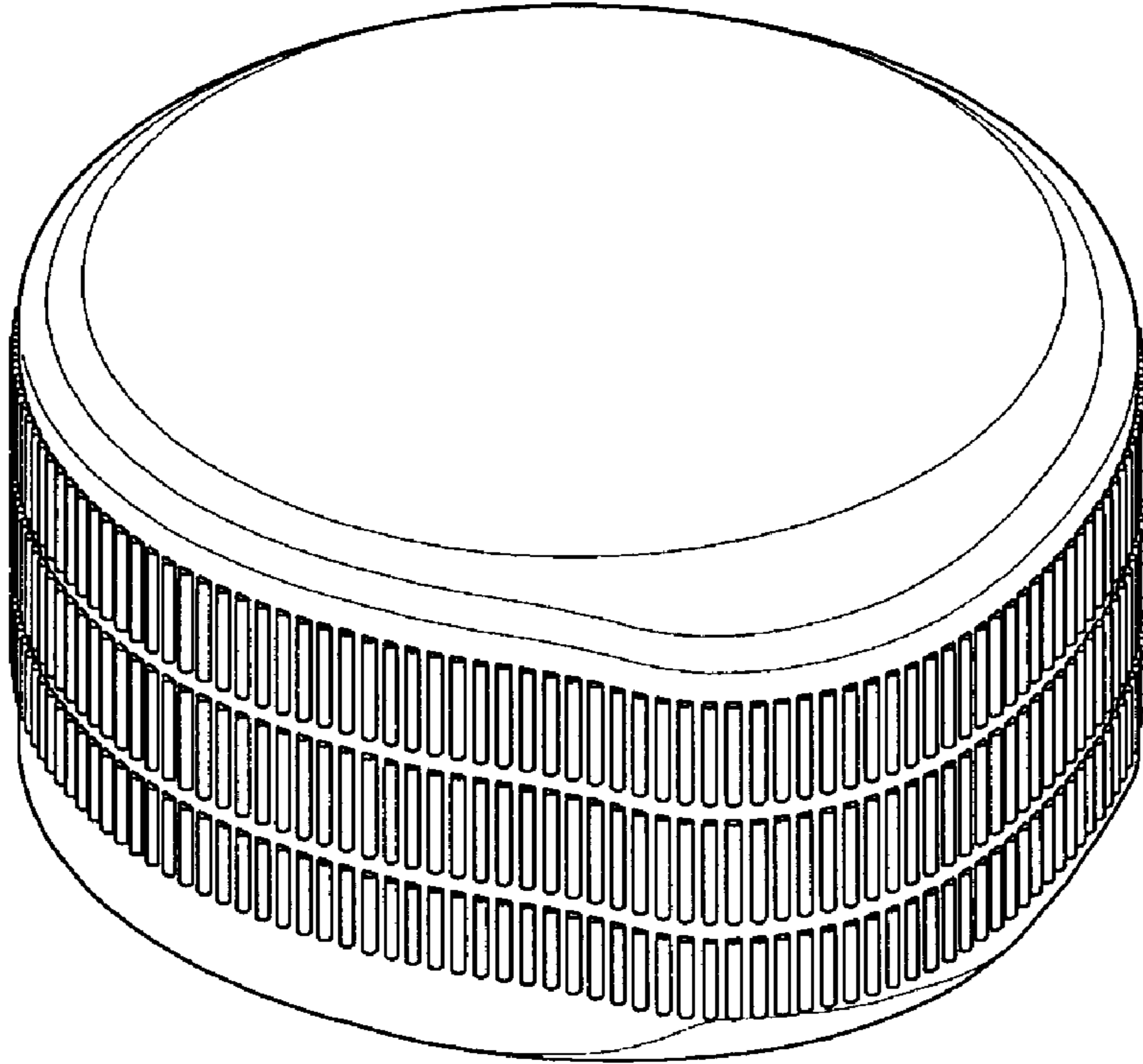


Fig. 2

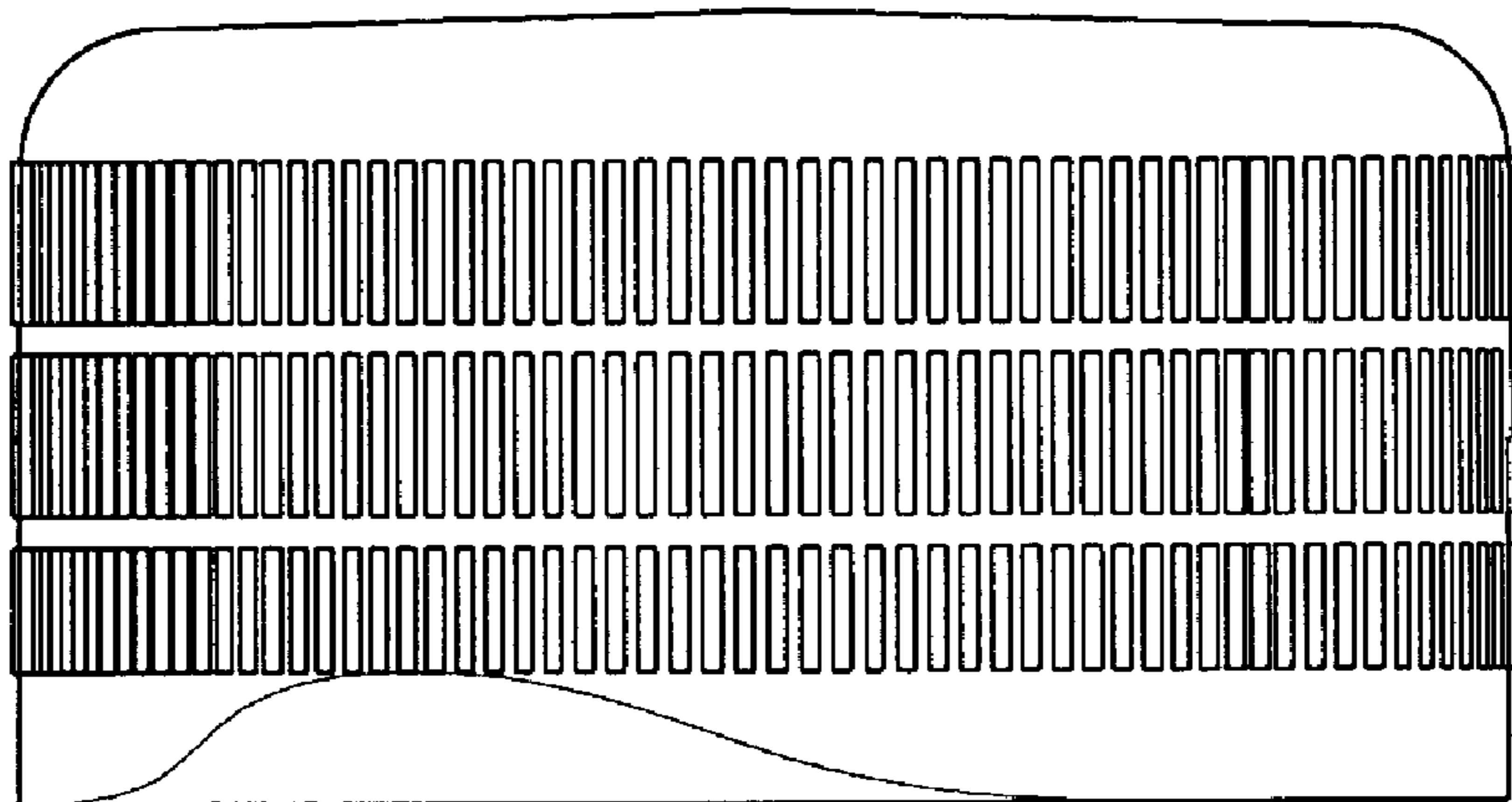


Fig. 3

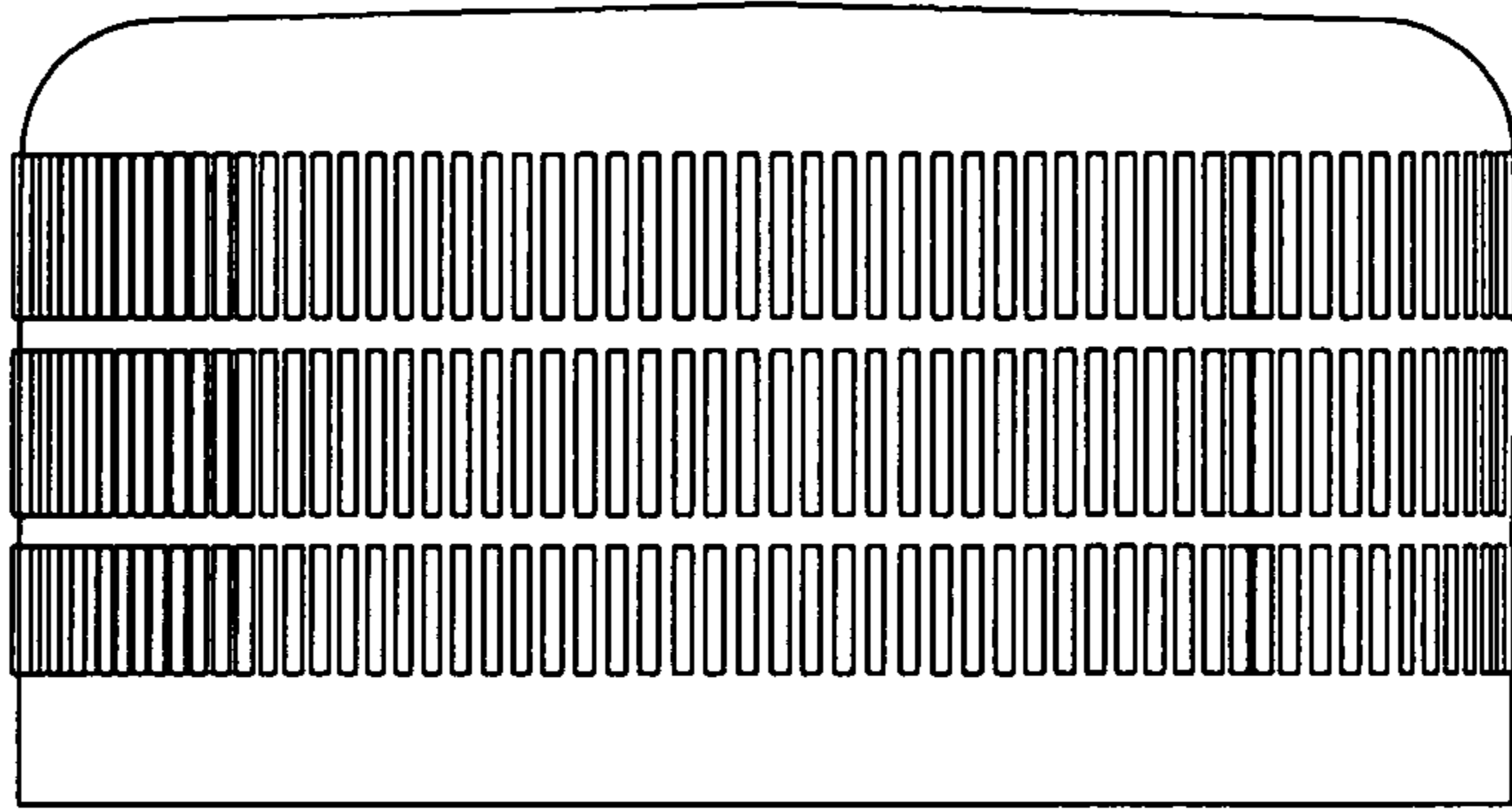


Fig. 4

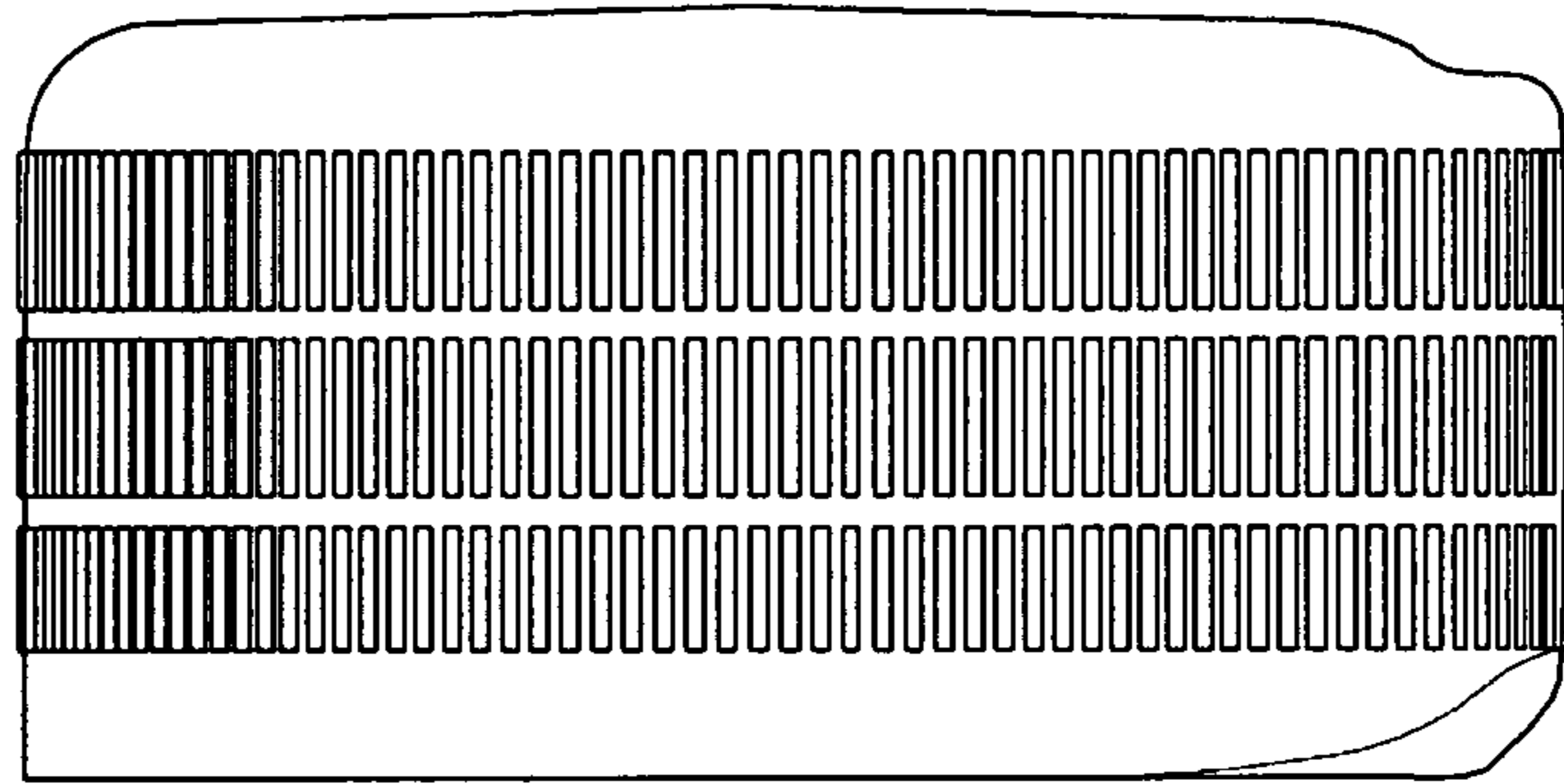


Fig. 5

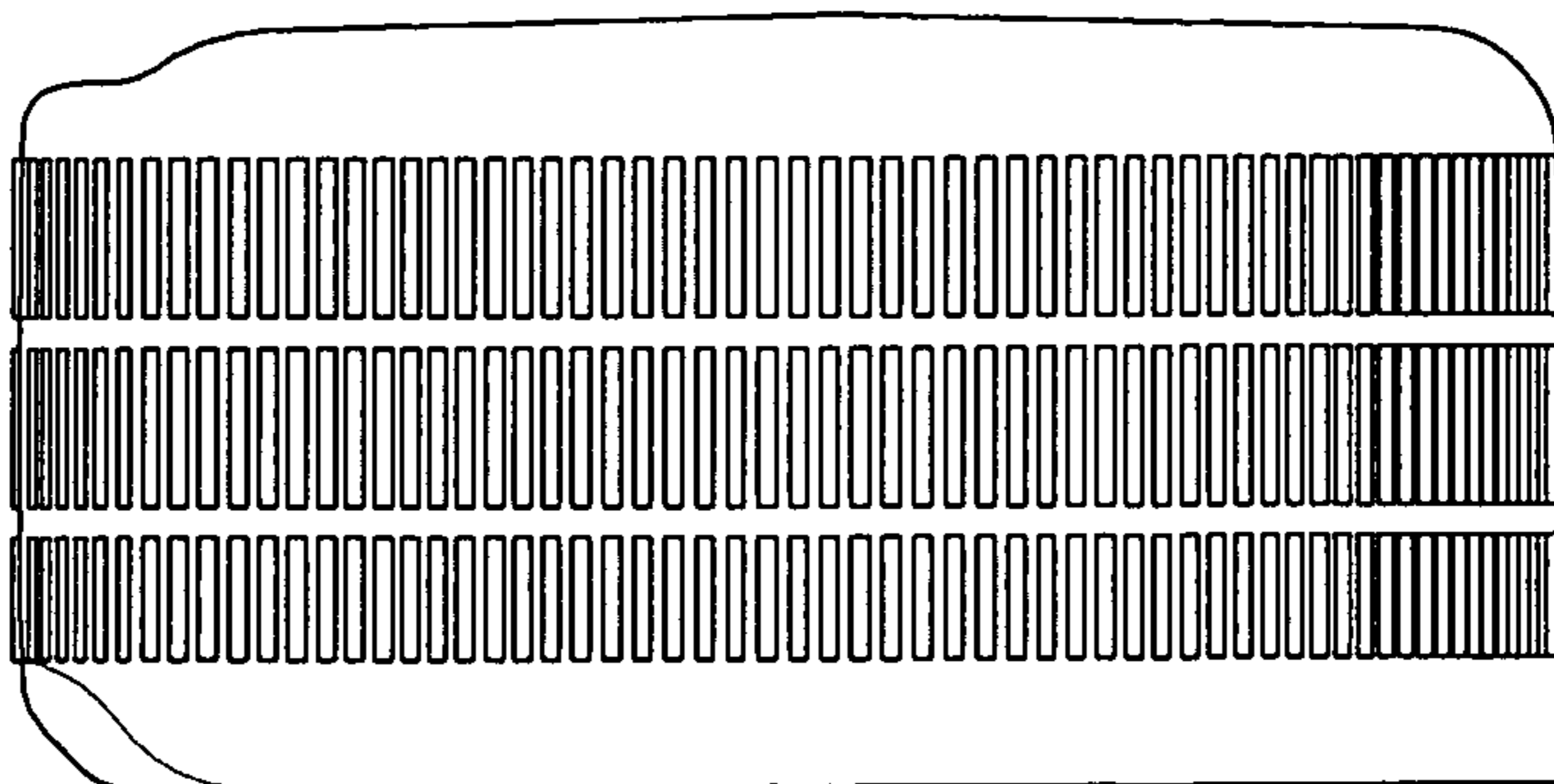


Fig. 6

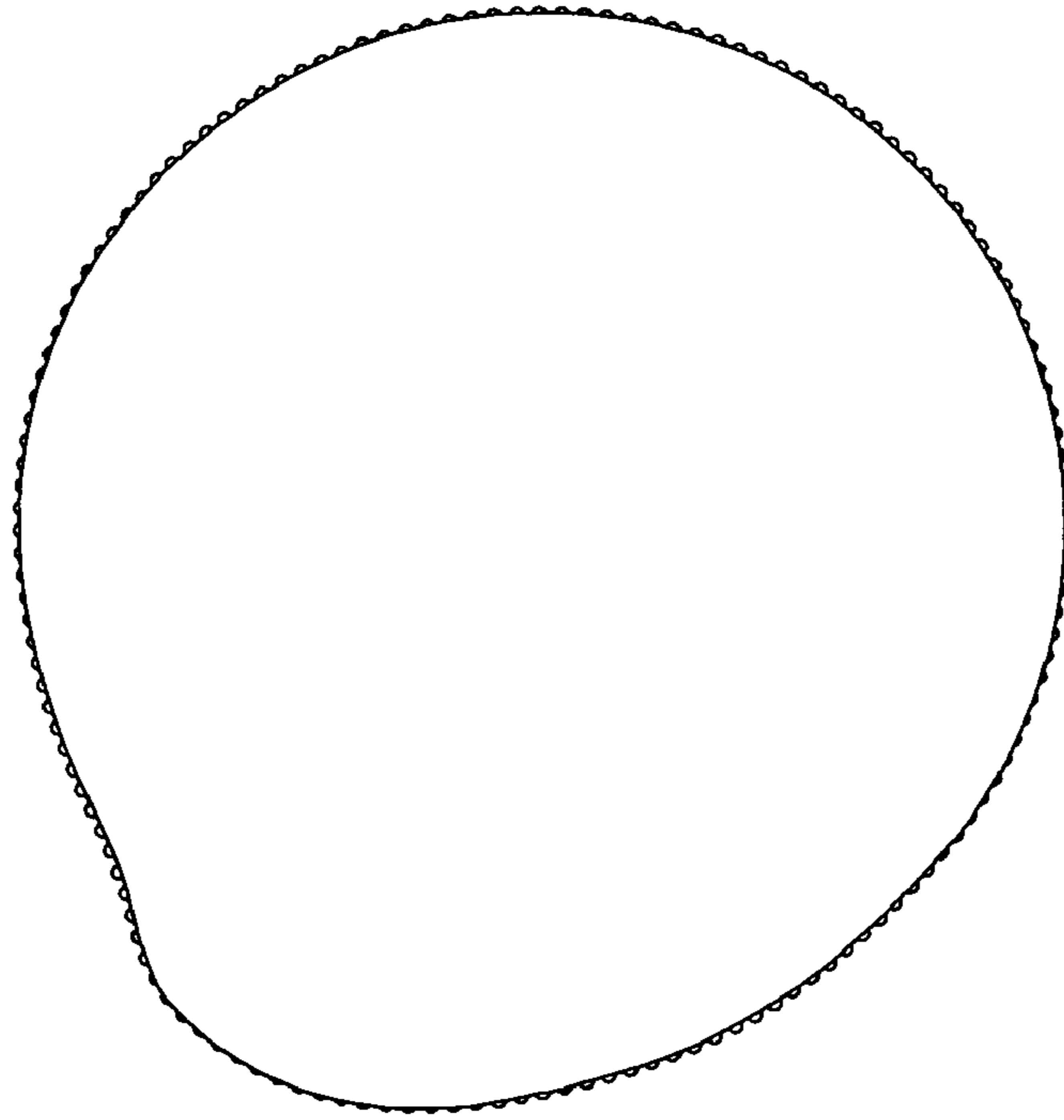


Fig. 7

