



US00D607321S

(12) **United States Design Patent**  
**Mark**

(10) **Patent No.:** **US D607,321 S**  
(45) **Date of Patent:** **\*\* Jan. 5, 2010**

(54) **PIZZA BOX**  
(76) Inventor: **Justin A. Mark**, 15919 Colgate, Clinton Township, MI (US) 48035

D495,247 S \* 8/2004 Keberlein ..... D9/418  
6,966,483 B2 11/2005 Manninen  
D538,643 S \* 3/2007 Babbino et al. .... D9/430  
D564,794 S \* 3/2008 Ehresman ..... D6/467  
7,487,902 B2 2/2009 Philips et al.

(\*\*) Term: **14 Years**

\* cited by examiner

(21) Appl. No.: **29/333,044**

*Primary Examiner*—Daniel D Bui  
*Assistant Examiner*—Thomas J Johannes

(22) Filed: **Mar. 2, 2009**

(74) *Attorney, Agent, or Firm*—Gifford, Krass, Sprinkle, Anderson & Citkowski, P.C.

(51) **LOC (9) Cl.** ..... **09-03**

(52) **U.S. Cl.** ..... **D9/423; D9/430**

(57) **CLAIM**

(58) **Field of Classification Search** ..... D9/414,  
D9/416, 420, 421, 423, 426, 430, 431, 432;  
206/730, 551, 216; 229/108, 111, 115, 116.1,  
229/116.2, 123.3, 210, 221, 223, 238, 925,  
229/924, 926, 904.1, 903, 904

I claim the ornamental design for a pizza box, as shown and described.

See application file for complete search history.

**DESCRIPTION**

(56) **References Cited**

**U.S. PATENT DOCUMENTS**

3,357,544	A *	12/1967	Gingher	.....	206/300
3,384,290	A	5/1968	Glover		
D244,833	S *	6/1977	Persson	.....	D9/423
D322,758	S *	12/1991	Haire	.....	D9/430
5,098,013	A *	3/1992	France et al.	.....	229/115
5,118,033	A	6/1992	Kula		
D329,016	S *	9/1992	Scarpa et al.	.....	D9/430
D329,806	S *	9/1992	Kindt	.....	D9/430
D339,061	S *	9/1993	Kilmartin et al.	.....	D9/430
D356,254	S *	3/1995	Correll	.....	D9/423
5,535,940	A *	7/1996	Olds	.....	229/110
D418,750	S *	1/2000	Blin	.....	D9/430
D438,463	S *	3/2001	Schill et al.	.....	D9/416
6,629,607	B1	10/2003	Gibson		
D484,406	S *	12/2003	Jacquet	.....	D9/416
6,749,106	B2 *	6/2004	Keefe et al.	.....	229/110

FIG. 1 is a perspective view of the pizza box according to the present design;

FIG. 2 is a further partially open rotated perspective of the present design shown in FIG. 1;

FIG. 3 is a top view of the present design;

FIG. 4 is a bottom view of the present design;

FIG. 5 is a front plan view of the present design;

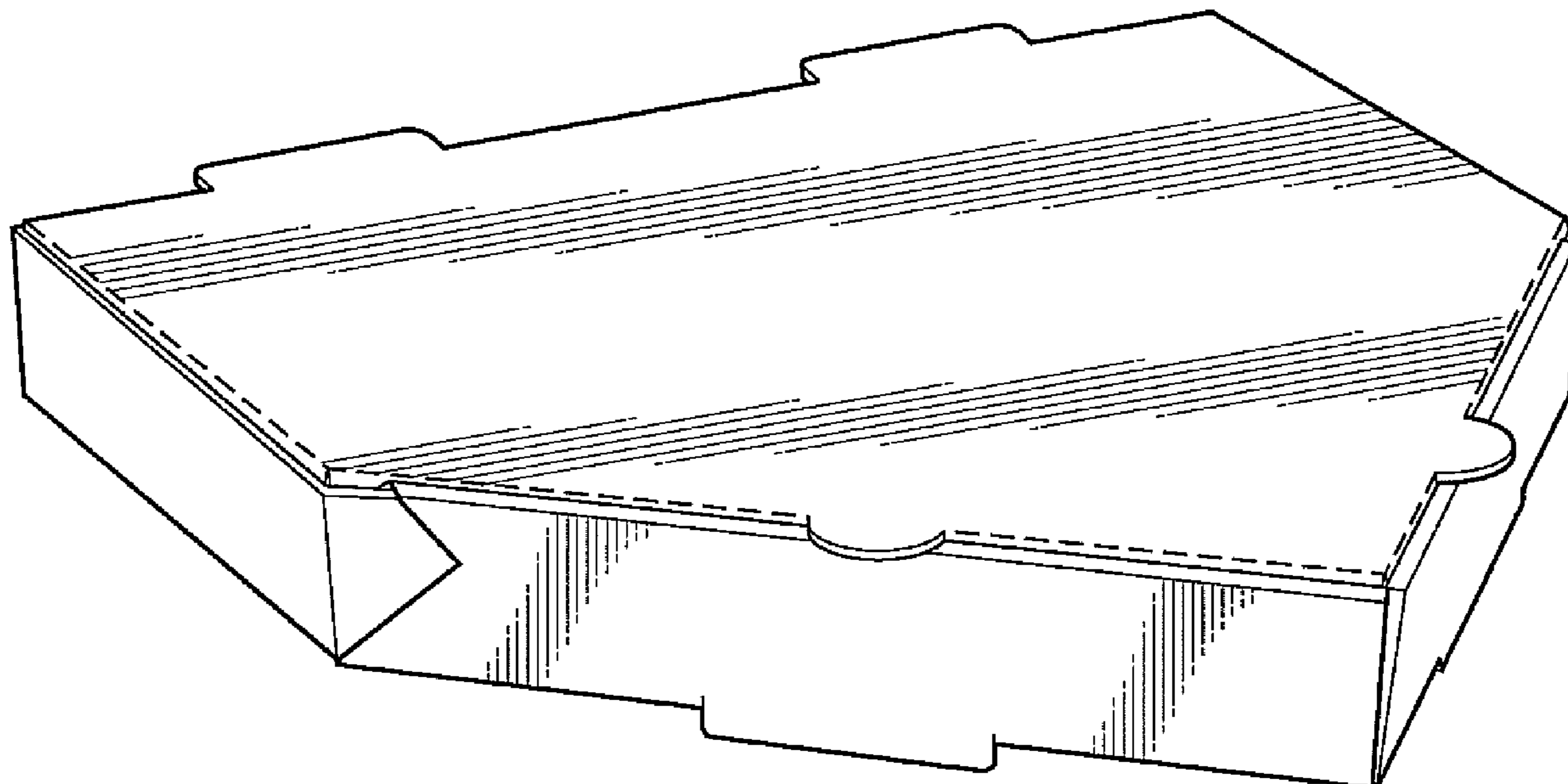
FIG. 6 is a right side view of the present design, a corresponding left side view being a mirror image thereof;

FIG. 7 is a rear view of the present design; and,

FIG. 8 is a plan view of a completely unfolded two dimensional blank establishing the present design.

The broken line portion of the figure drawings in FIGS. 1, 3, 5, 6, 7, and 8 is included to show the fold perforation lines in the claimed design.

**1 Claim, 6 Drawing Sheets**



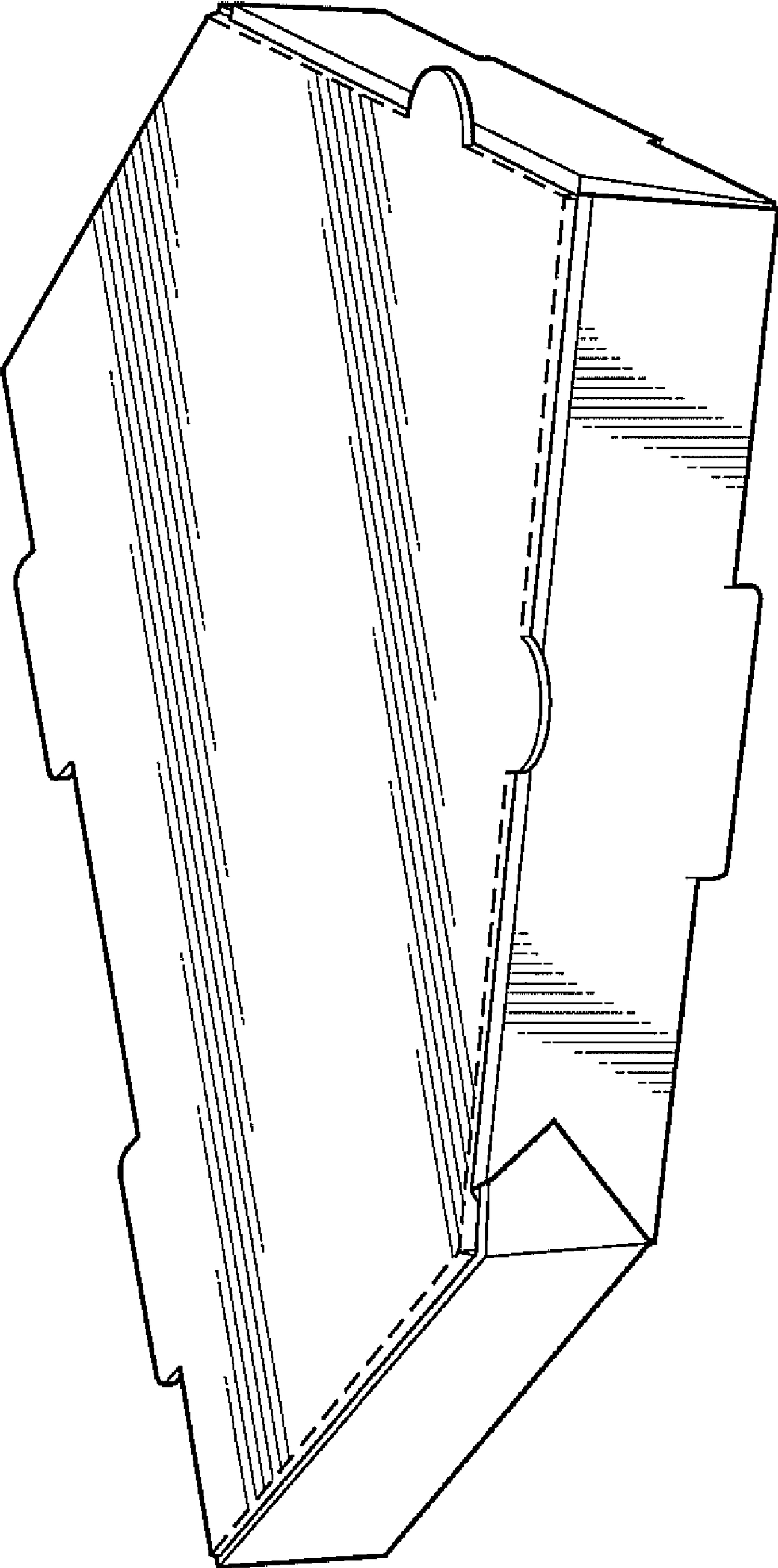


FIG. 1

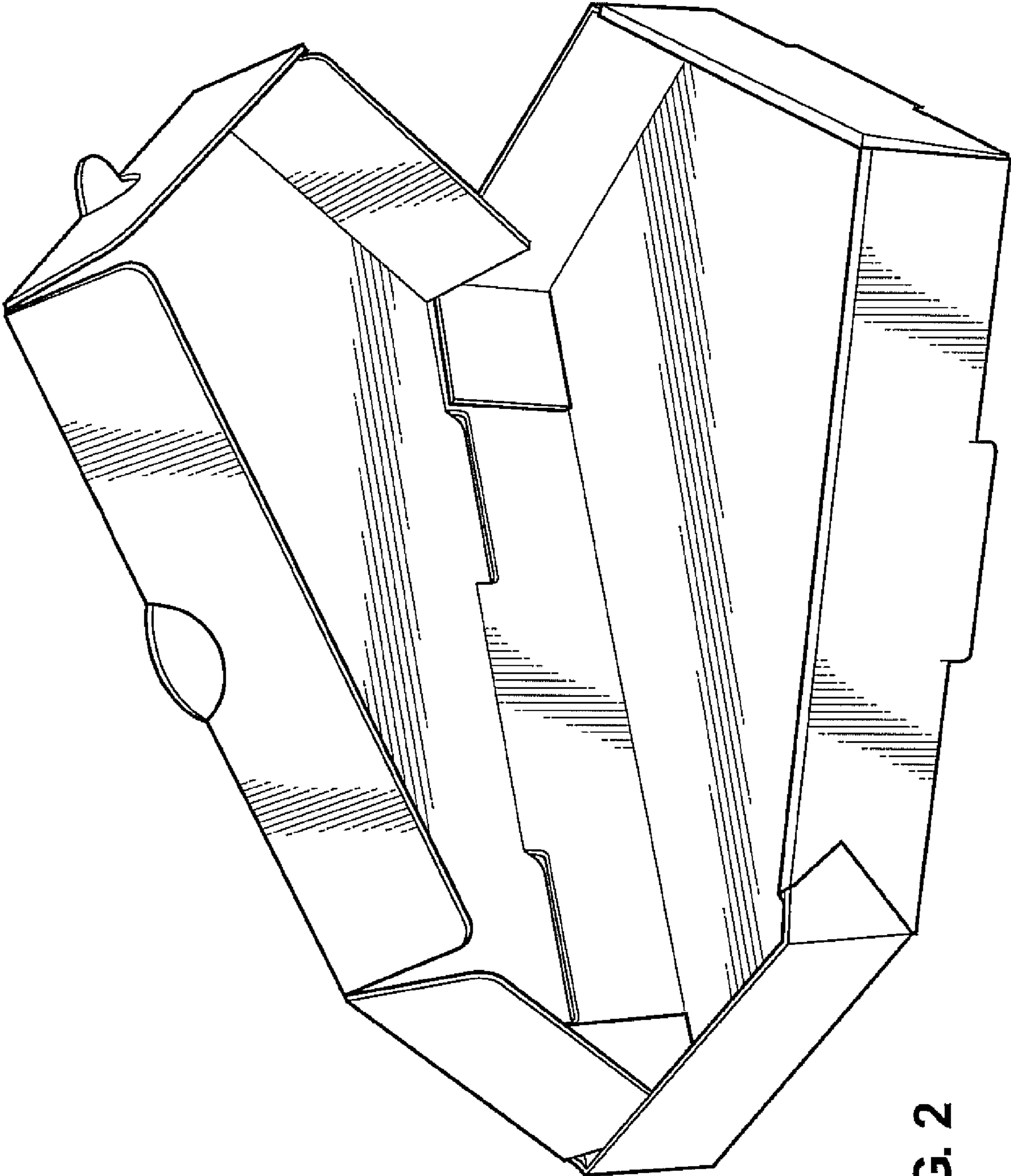


FIG. 2

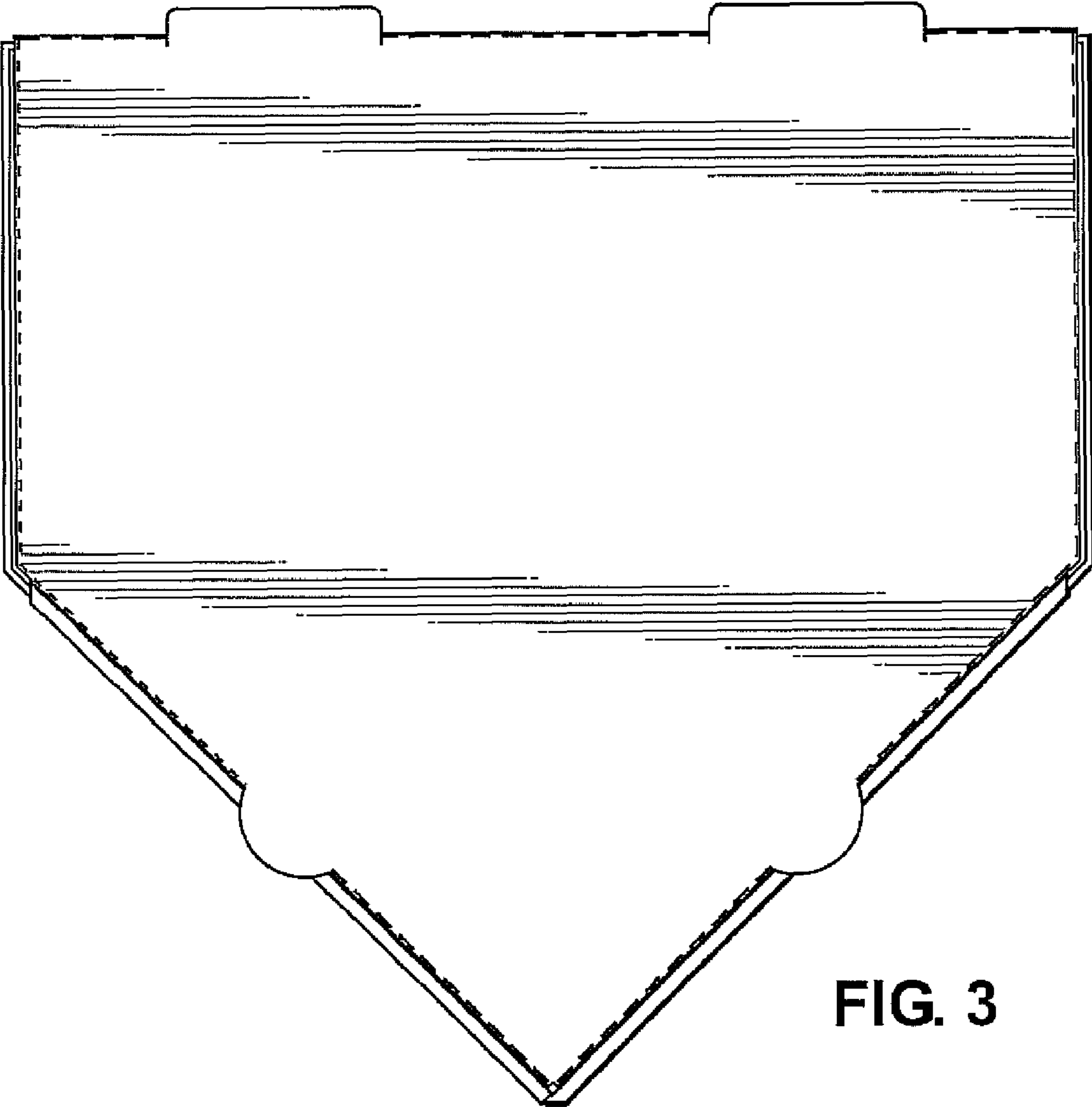


FIG. 3

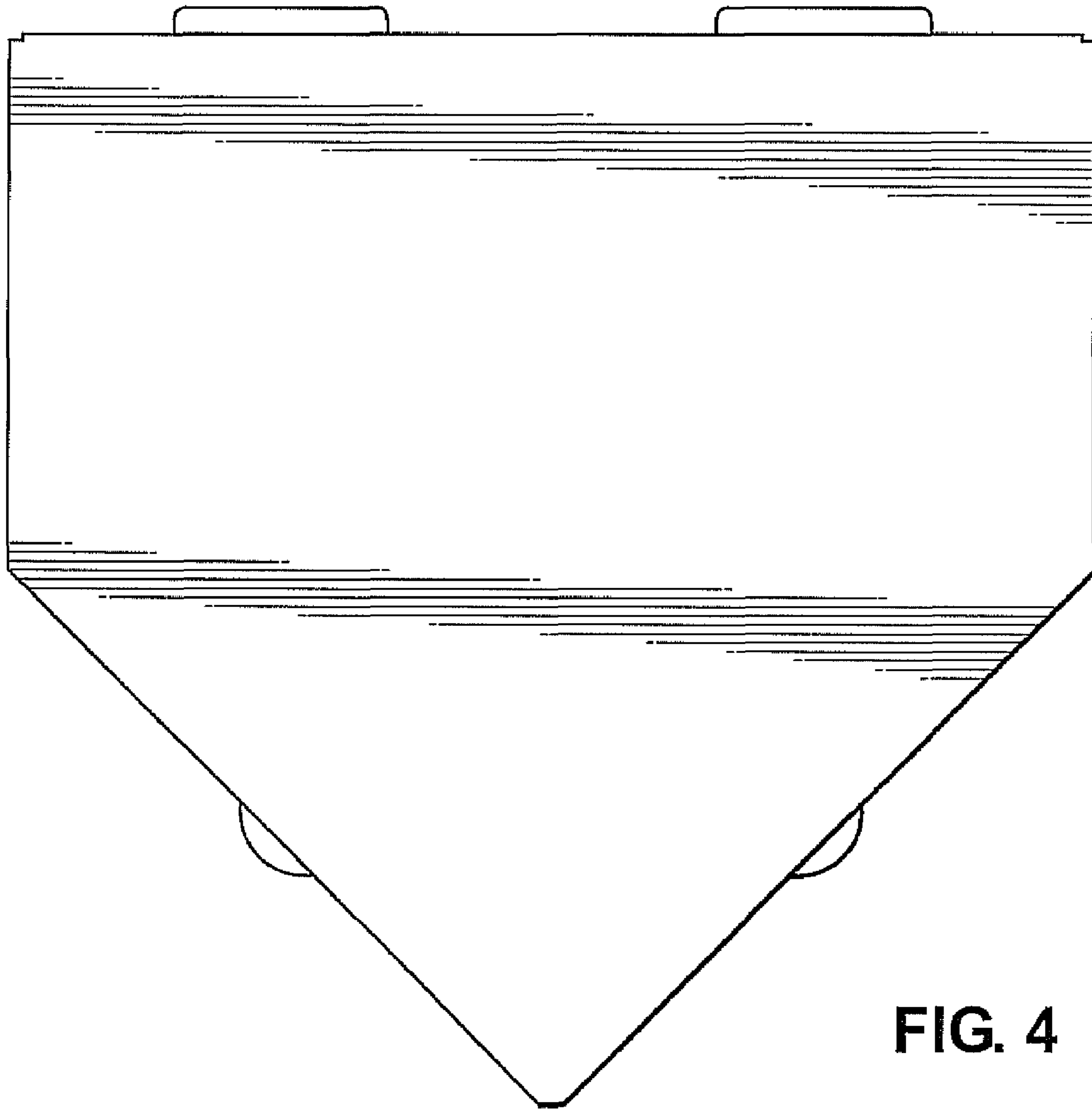


FIG. 4

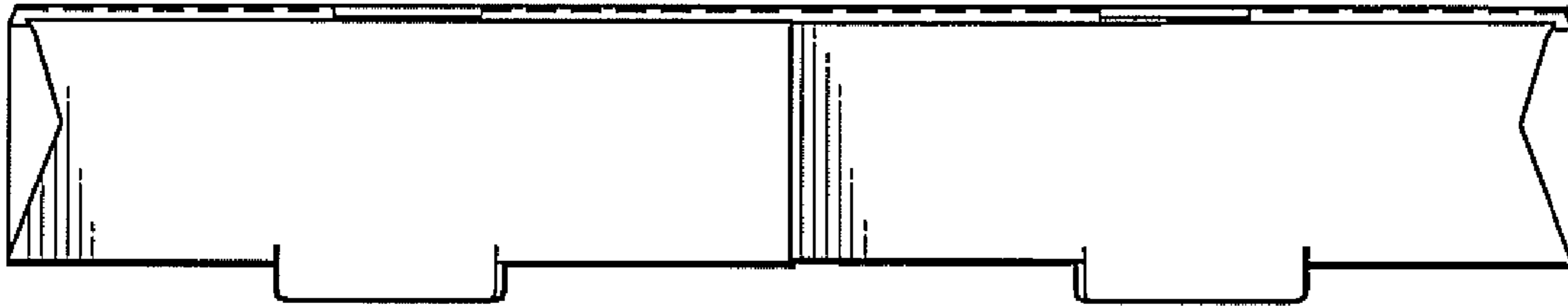


FIG. 5

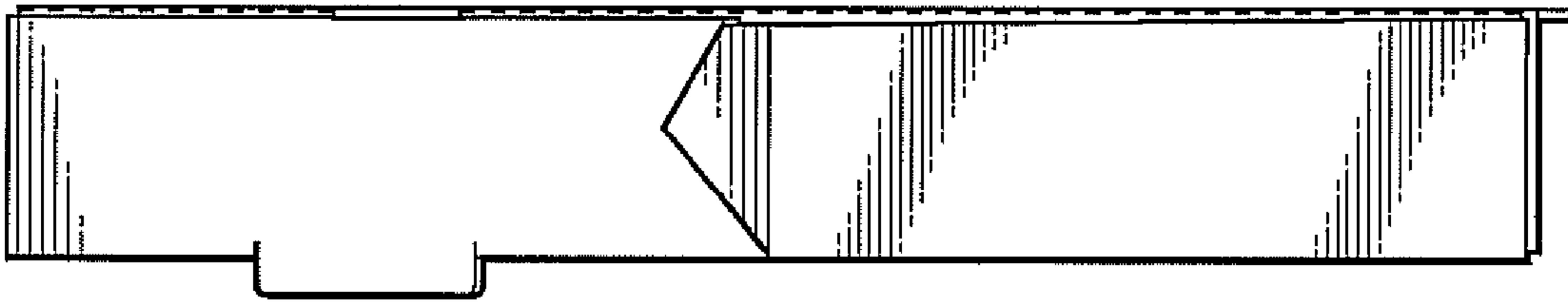


FIG. 6

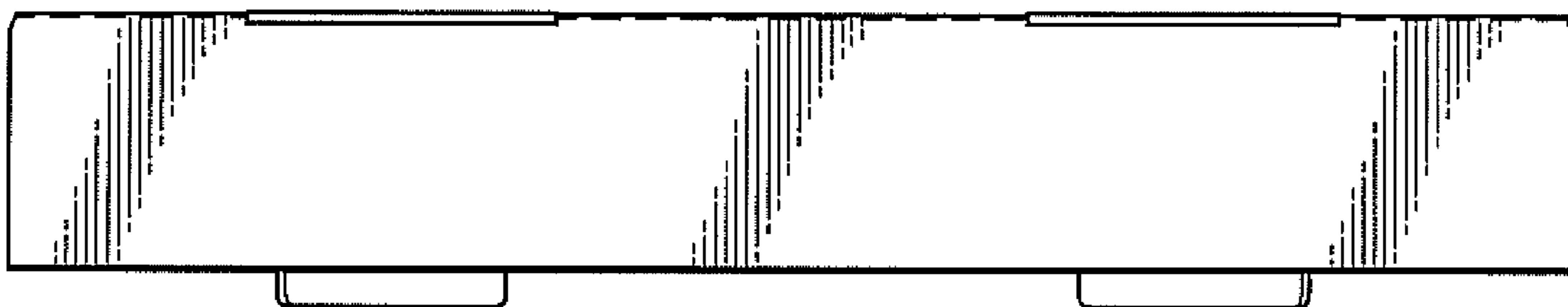


FIG. 7

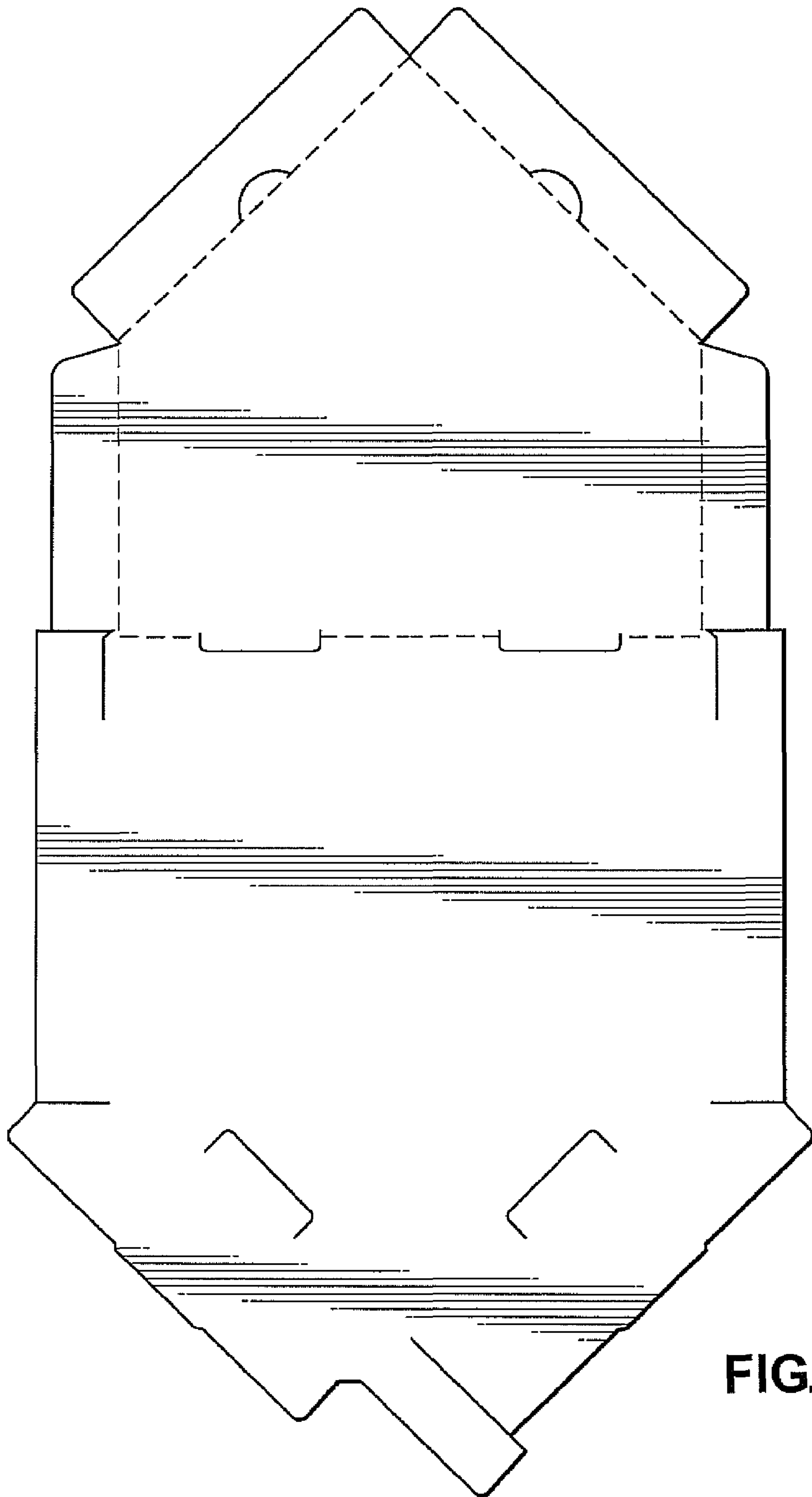


FIG. 8