



US00D607319S

(12) **United States Design Patent**  
**Collins**

(10) **Patent No.:** **US D607,319 S**  
(45) **Date of Patent:** **\*\* Jan. 5, 2010**

(54) **TOBACCO BOX**

(75) Inventor: **Timothy Collins**, Leatherhead (GB)

(73) Assignee: **House of Prince A/S**, Soborg (DK)

(\*\*) Term: **14 Years**

(21) Appl. No.: **29/327,954**

(22) Filed: **Nov. 14, 2008**

(51) **LOC (9) Cl.** ..... **09-03**

(52) **U.S. Cl.** ..... **D9/423; D9/416**

(58) **Field of Classification Search** ..... D9/414,  
D9/416, 420, 421, 423, 426, 430, 432; 206/236–241,  
206/249–251, 254–259, 261–275; 229/160.1;  
D27/185–192

See application file for complete search history.

(56) **References Cited**

**U.S. PATENT DOCUMENTS**

276,171	A *	4/1883	Fraser	.....	229/120.09
1,863,190	A *	6/1932	Coulapides	.....	206/256
5,344,008	A *	9/1994	DeBlasio et al.	.....	206/256
D506,927	S *	7/2005	Sharron	.....	D9/416
2002/0177513	A1 *	11/2002	Focke et al.	.....	493/63

\* cited by examiner

*Primary Examiner*—Daniel D Bui  
*Assistant Examiner*—Thomas J Johannes

(74) *Attorney, Agent, or Firm*—Walter G. Hanchuk;  
Chadbourne & Parke LLP

(57) **CLAIM**

The ornamental design for tobacco box, as shown and described.

**DESCRIPTION**

FIG. 1 is a front view of a tobacco box showing my new design;

FIG. 2 is a left side view thereof, the right side view being a mirror image thereof;

FIG. 3 is a rear view thereof;

FIG. 4 is a top view thereof;

FIG. 5 is a bottom view thereof;

FIG. 6 is a front bottom left perspective view thereof;

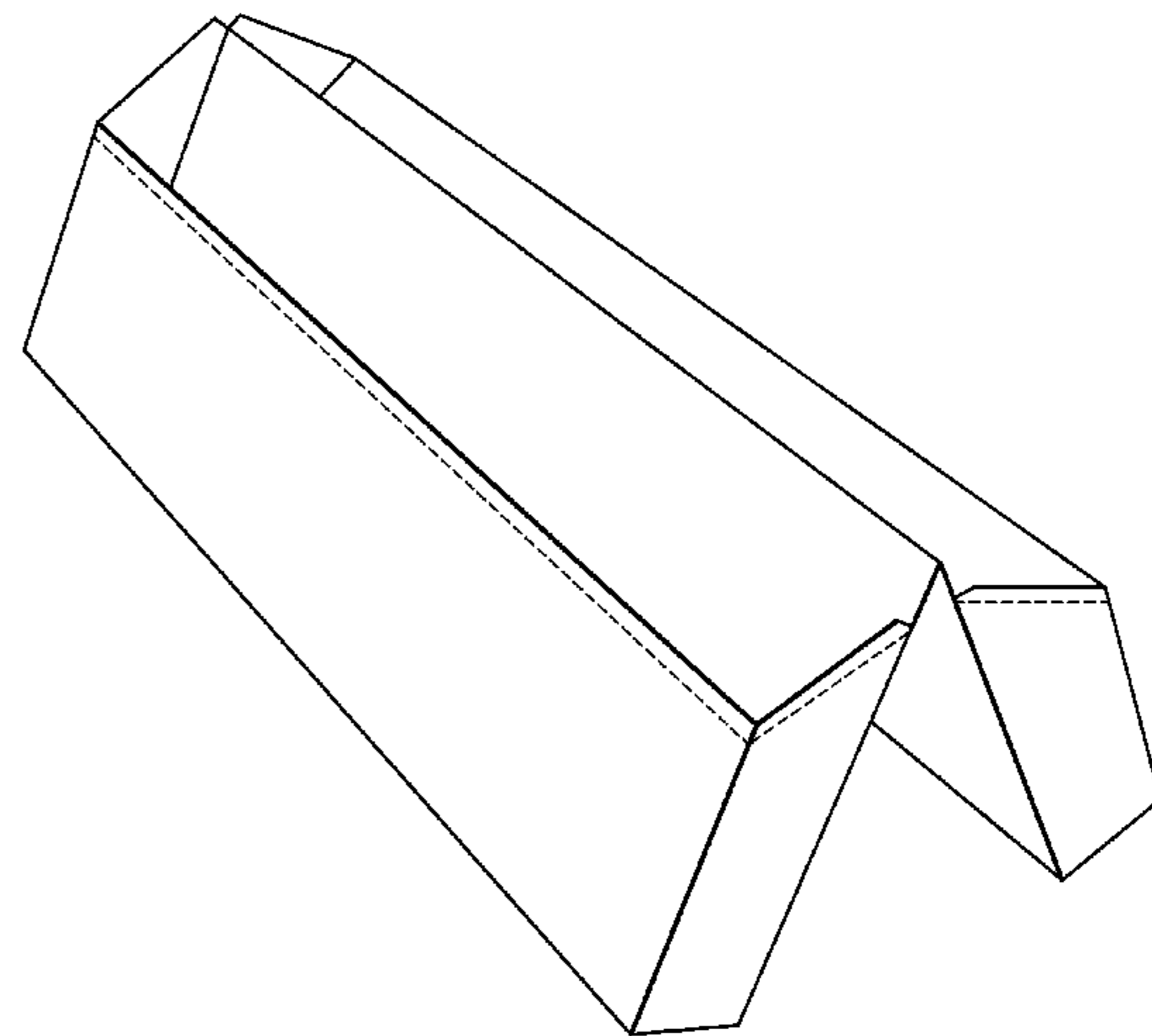
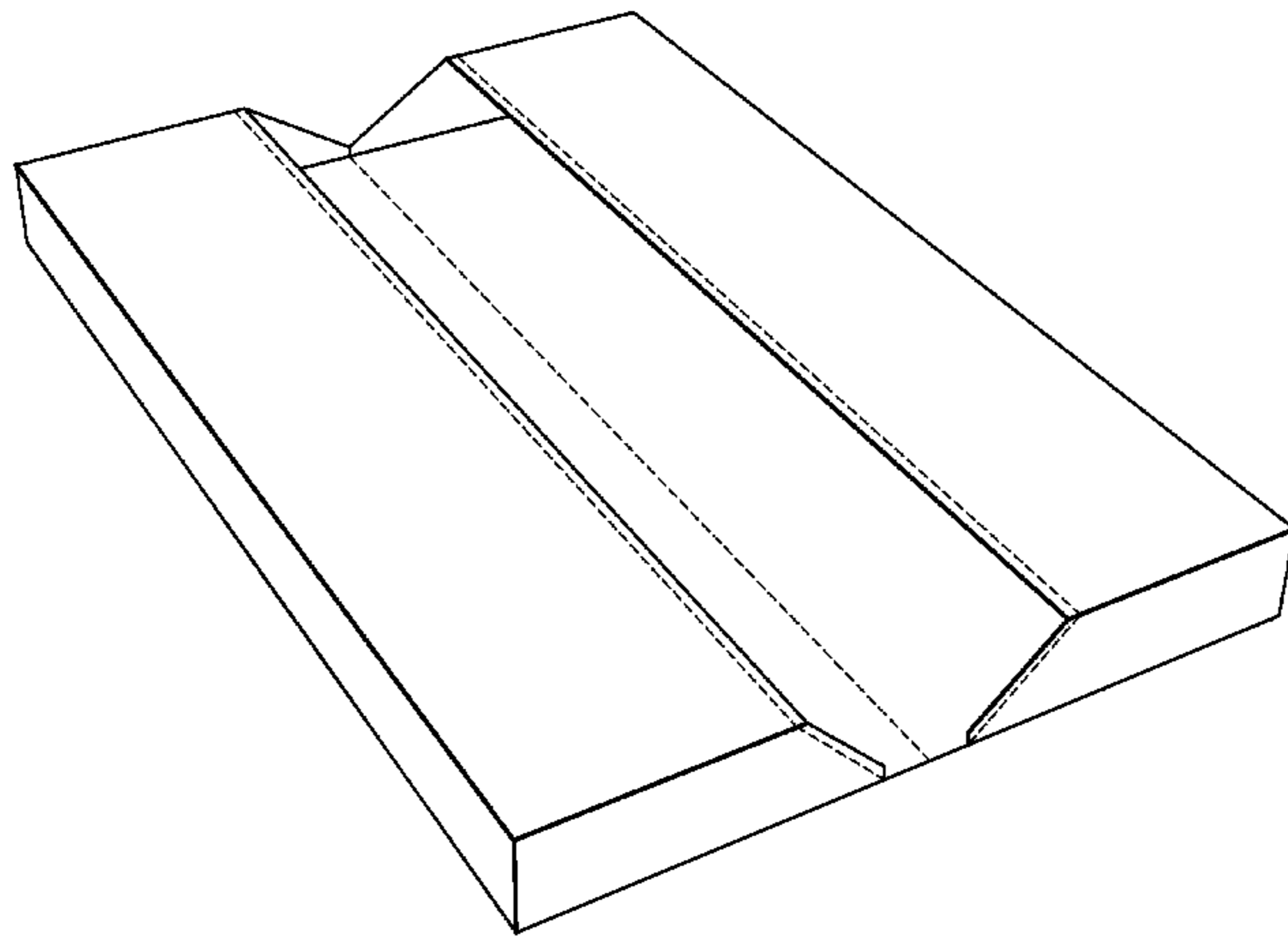
FIG. 7 is a front, bottom, left perspective view thereof showing the center portion removed in a typical usage condition;

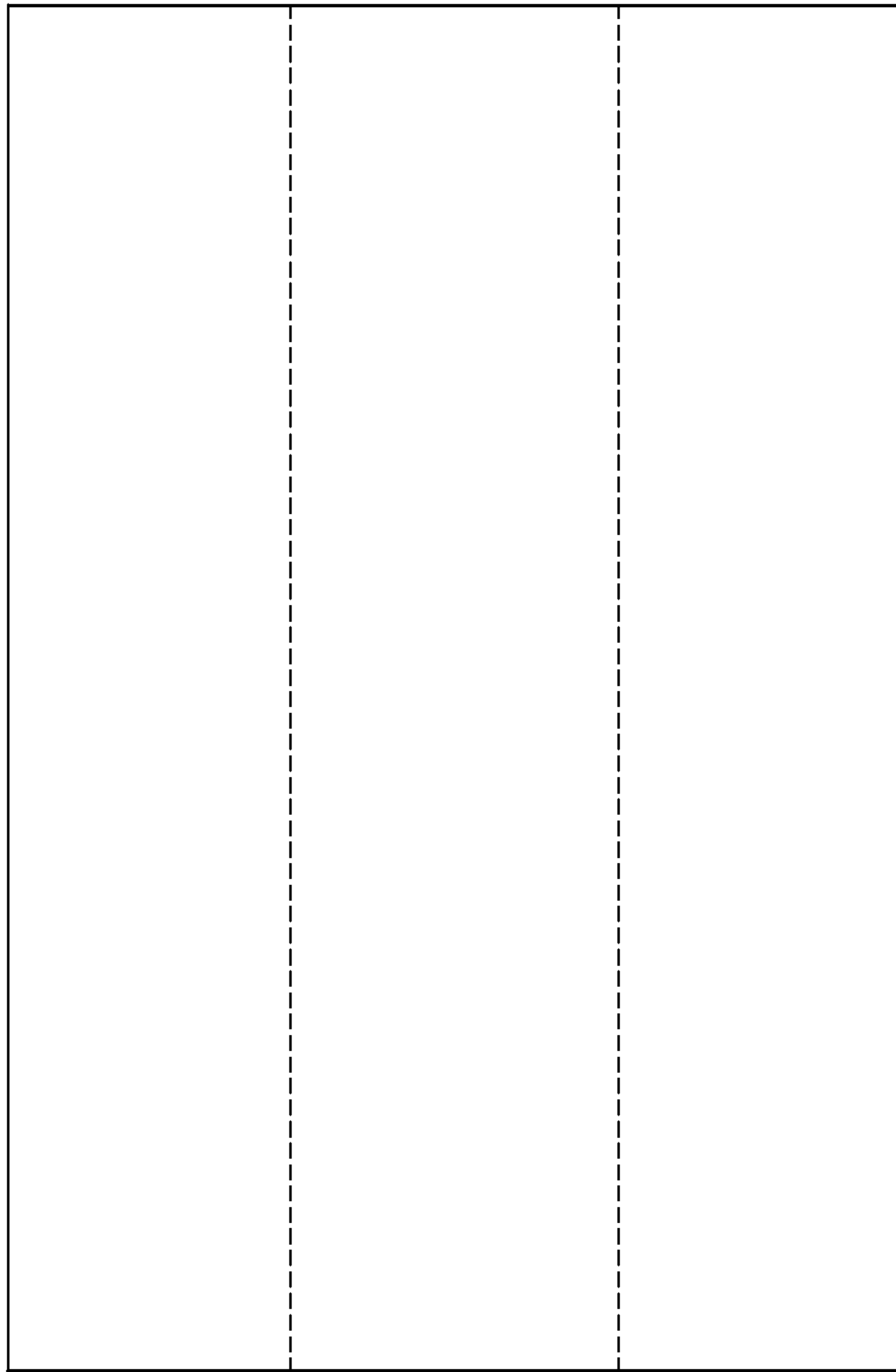
FIG. 8 is a rear bottom right perspective view thereof; and,

FIG. 9 is a front bottom left perspective view thereof in a partially folded position.

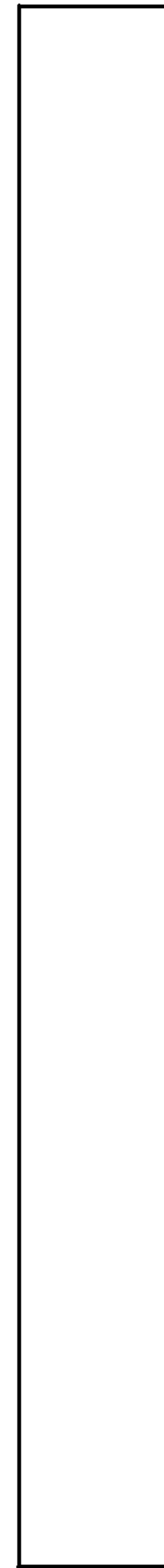
The lightweight dash-dash lines are included in the figures to show fold, tear and crease lines which form parts of the claimed design.

**1 Claim, 7 Drawing Sheets**





**FIG. 1**



**FIG. 2**

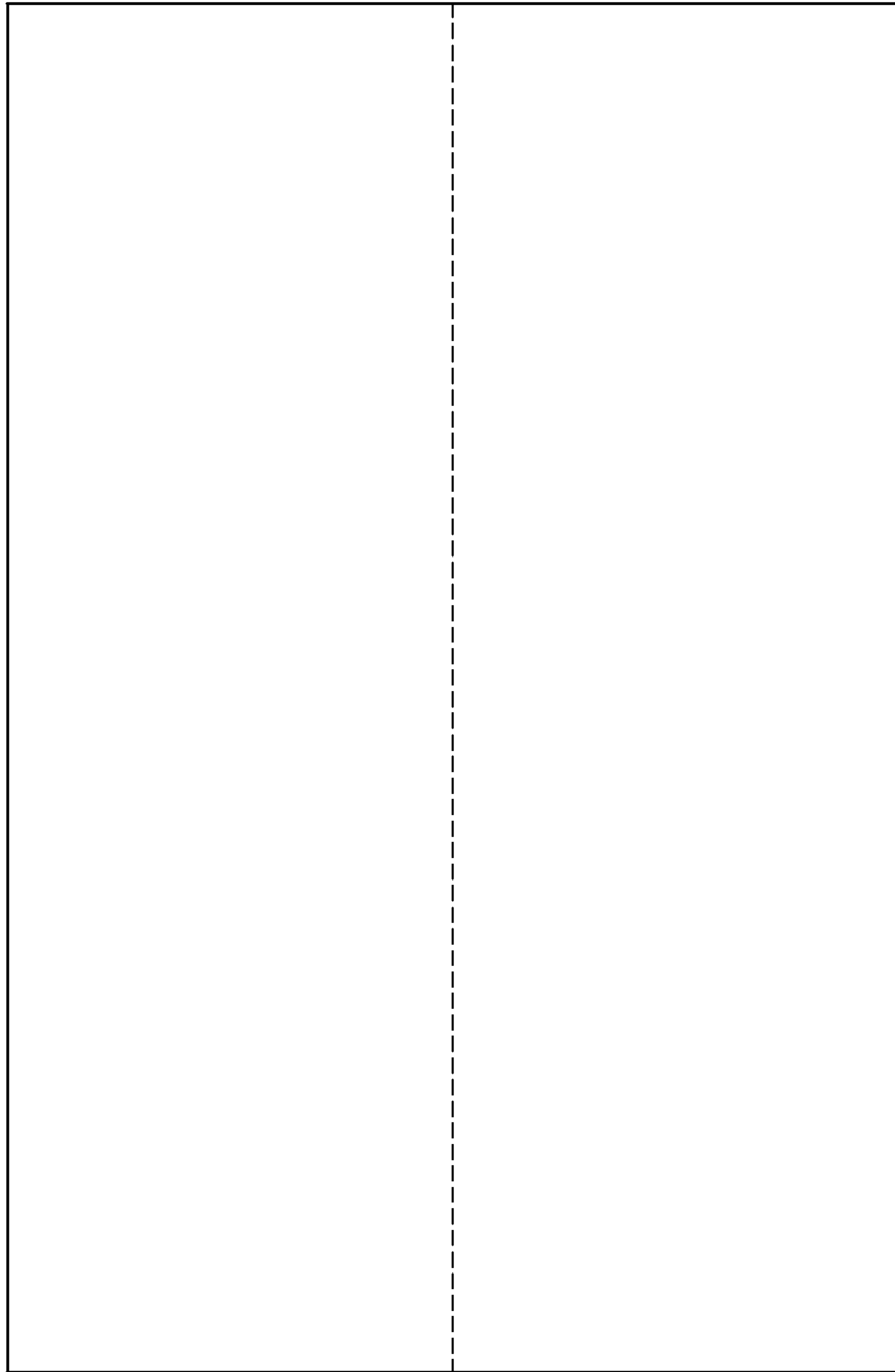


FIG.3

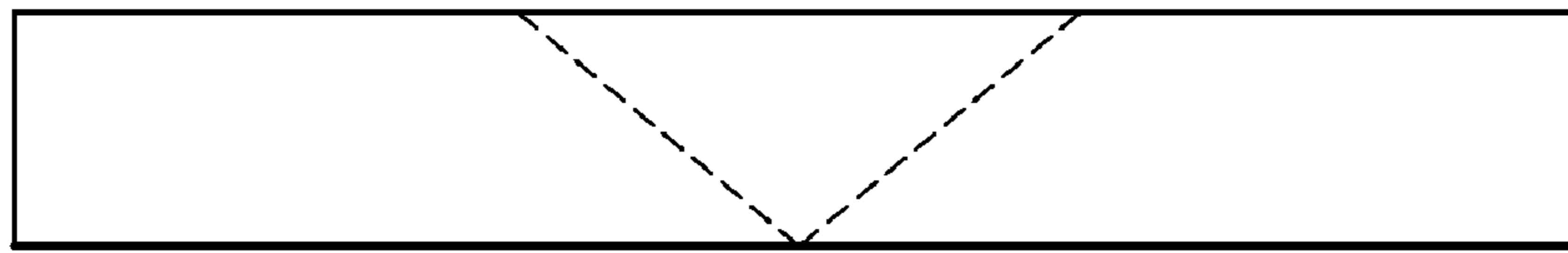


FIG. 4



FIG. 5

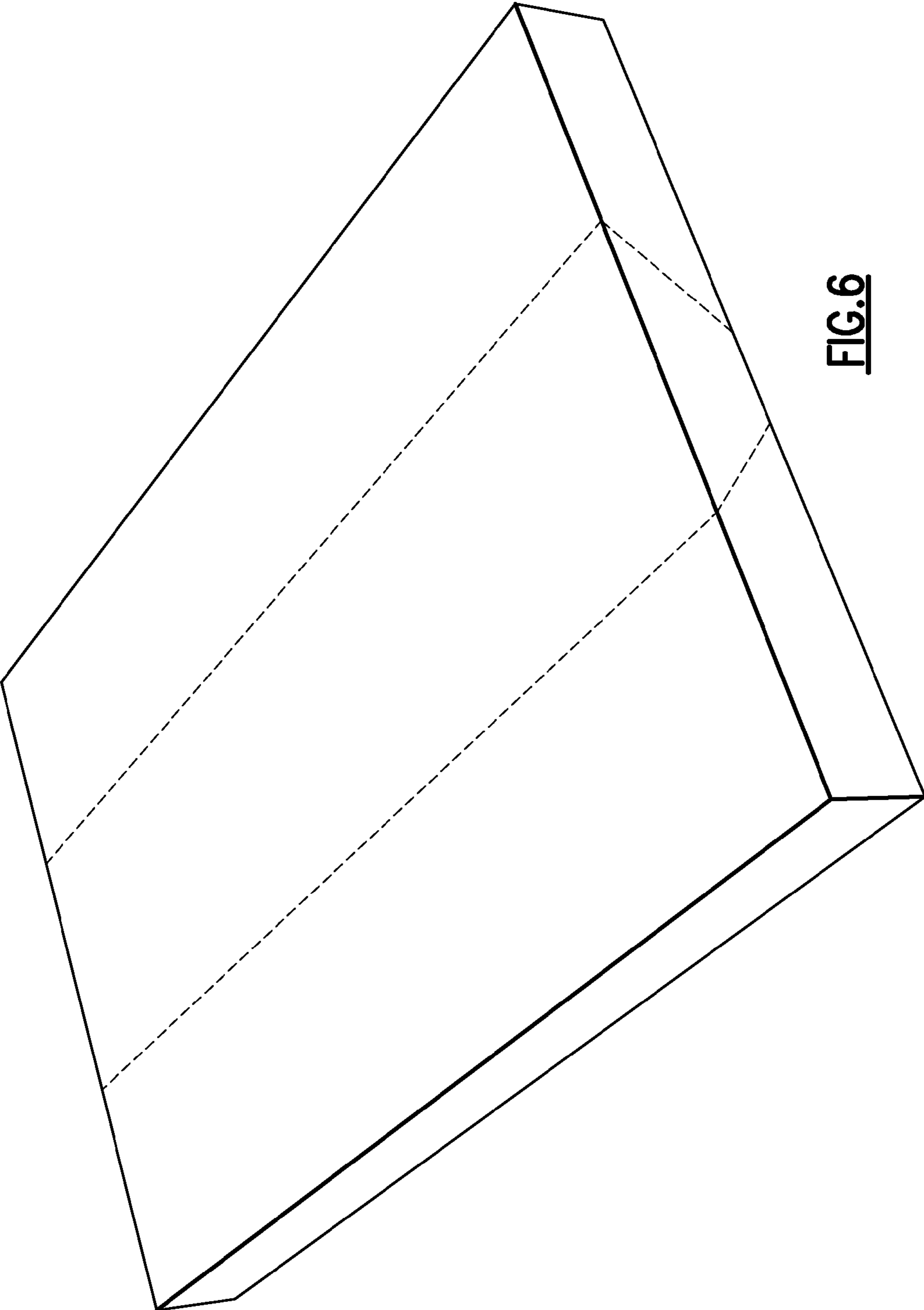


FIG. 6

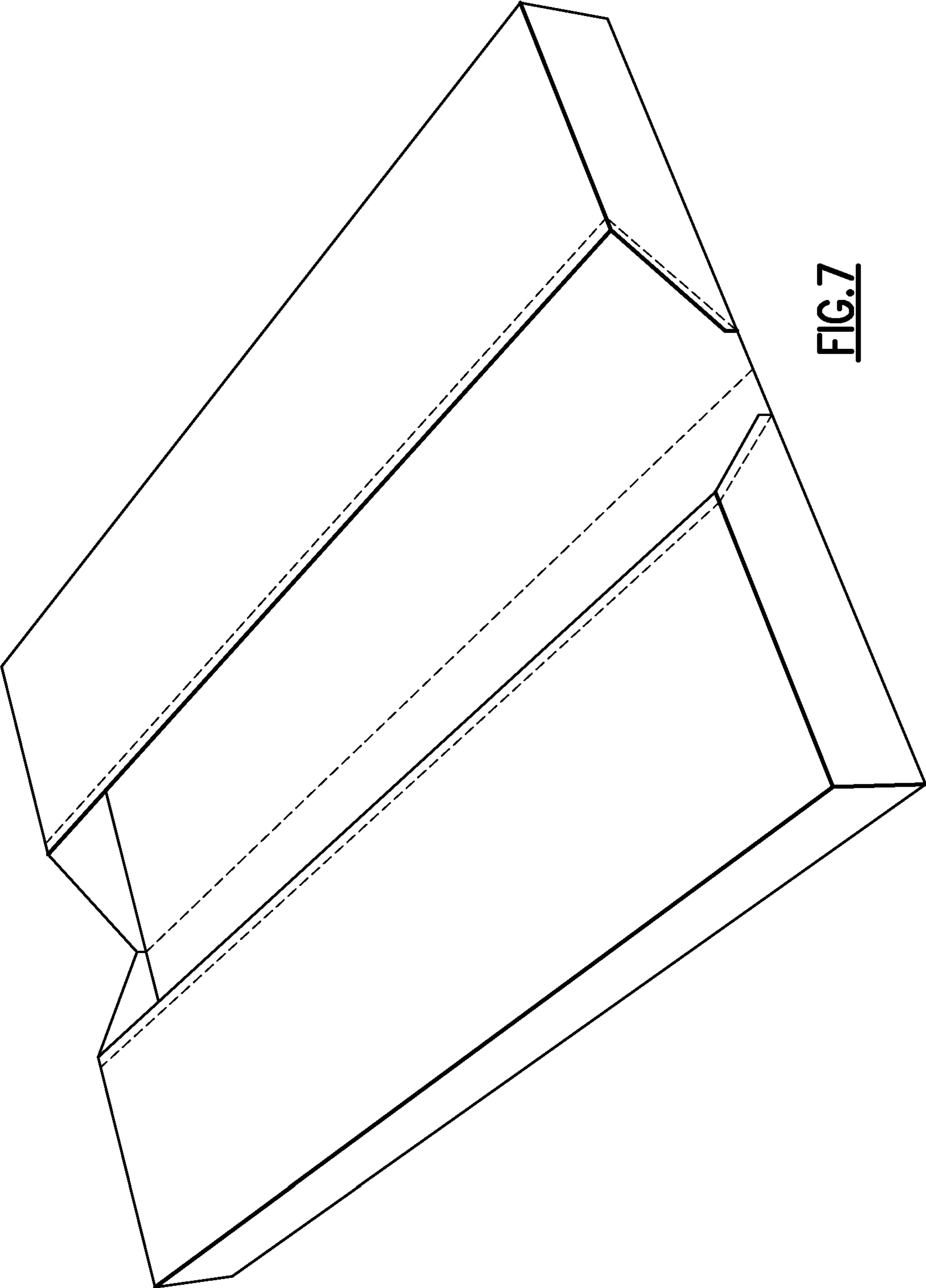
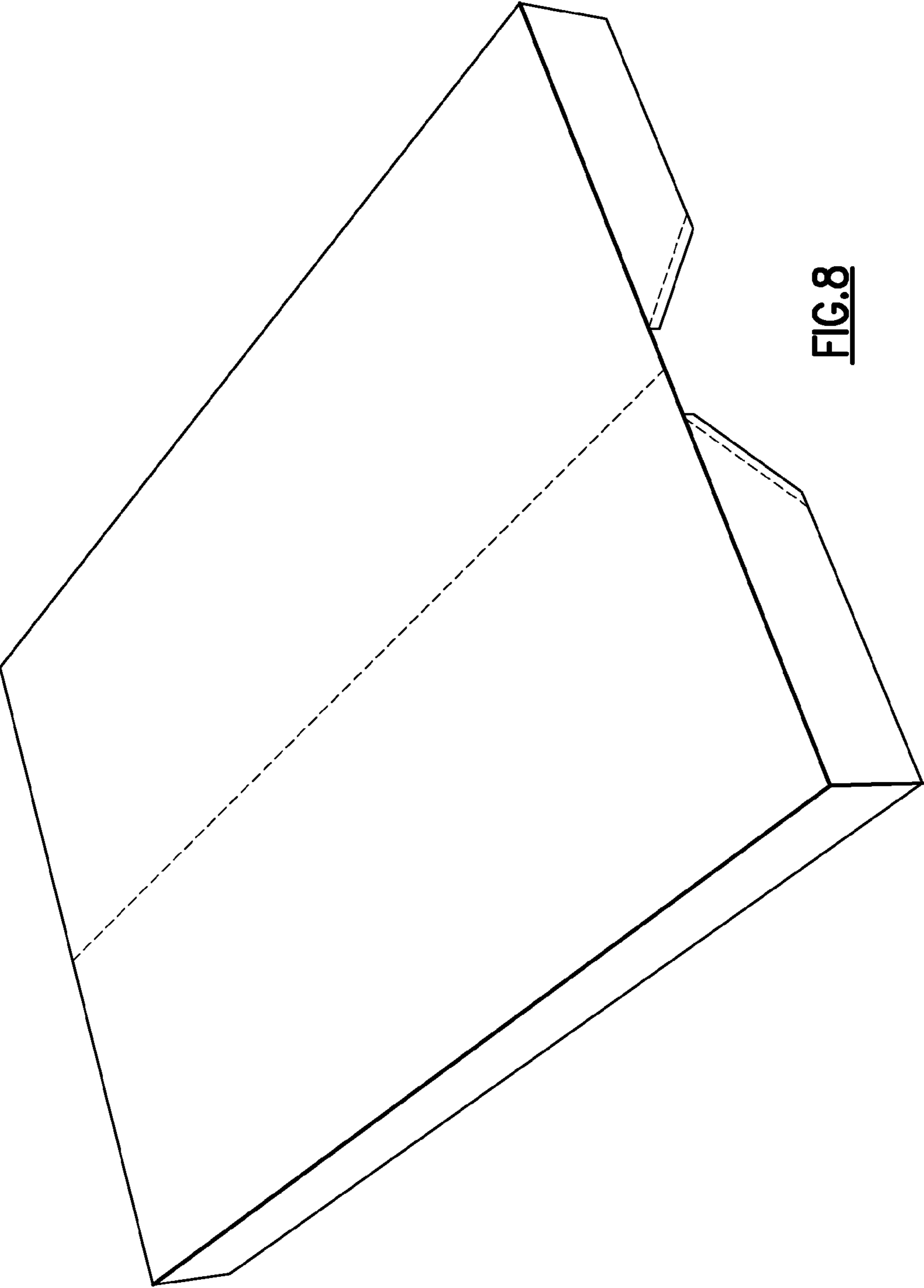


FIG. 7



**FIG. 8**

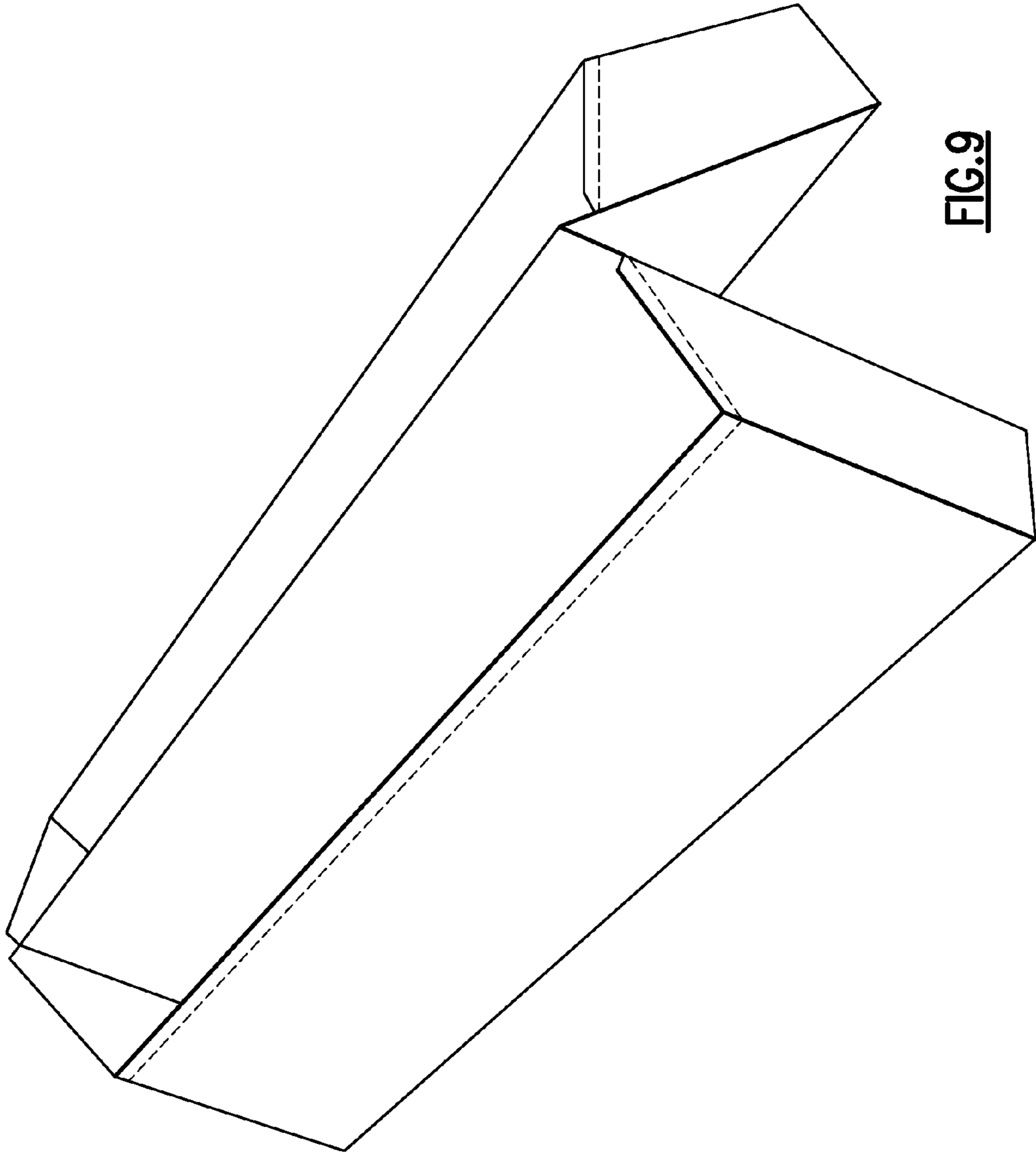


FIG. 9