



US00D607318S

(12) **United States Design Patent**
Collins

(10) **Patent No.:** **US D607,318 S**
(45) **Date of Patent:** **** Jan. 5, 2010**

(54) **TOBACCO BOX**

(75) Inventor: **Timothy Collins**, Leatherhead (GB)

(73) Assignee: **House of Prince A/S**, Soborg (DK)

(**) Term: **14 Years**

(21) Appl. No.: **29/327,950**

(22) Filed: **Nov. 14, 2008**

(51) **LOC (9) Cl.** **09-03**

(52) **U.S. Cl.** **D9/423**

(58) **Field of Classification Search** D9/414,
D9/416, 420, 421, 423, 426, 430, 432; 206/236–241,
206/249–251, 254–259, 261–275; 229/160.1;
D27/185–192

See application file for complete search history.

(56) **References Cited**

U.S. PATENT DOCUMENTS

D296,938 S *	7/1988	Ameringen	D9/423
D448,888 S *	10/2001	Focke et al.	D27/189
D494,860 S *	8/2004	Bacon	D9/430
D502,871 S *	3/2005	Ghini et al.	D9/430
D503,616 S *	4/2005	Ghini et al.	D9/430
D503,827 S *	4/2005	Cahill et al.	D27/189
D510,777 S *	10/2005	Engel	D27/189
D521,374 S *	5/2006	Ghini et al.	D9/430
D541,471 S *	4/2007	Mitten et al.	D27/189

2006/0191986 A1* 8/2006 Focke et al. 229/146
2006/0249564 A1* 11/2006 Dhanda 229/146

* cited by examiner

Primary Examiner—Daniel D Bui

Assistant Examiner—Thomas J Johannes

(74) *Attorney, Agent, or Firm*—Walter G. Hanchuk;
Chadbourne & Parke LLP

(57) **CLAIM**

The ornamental design for tobacco box, as shown and described.

DESCRIPTION

FIG. 1 is a front view of a tobacco box showing my new design;

FIG. 2 is a left side view thereof;

FIG. 3 is a right side view thereof;

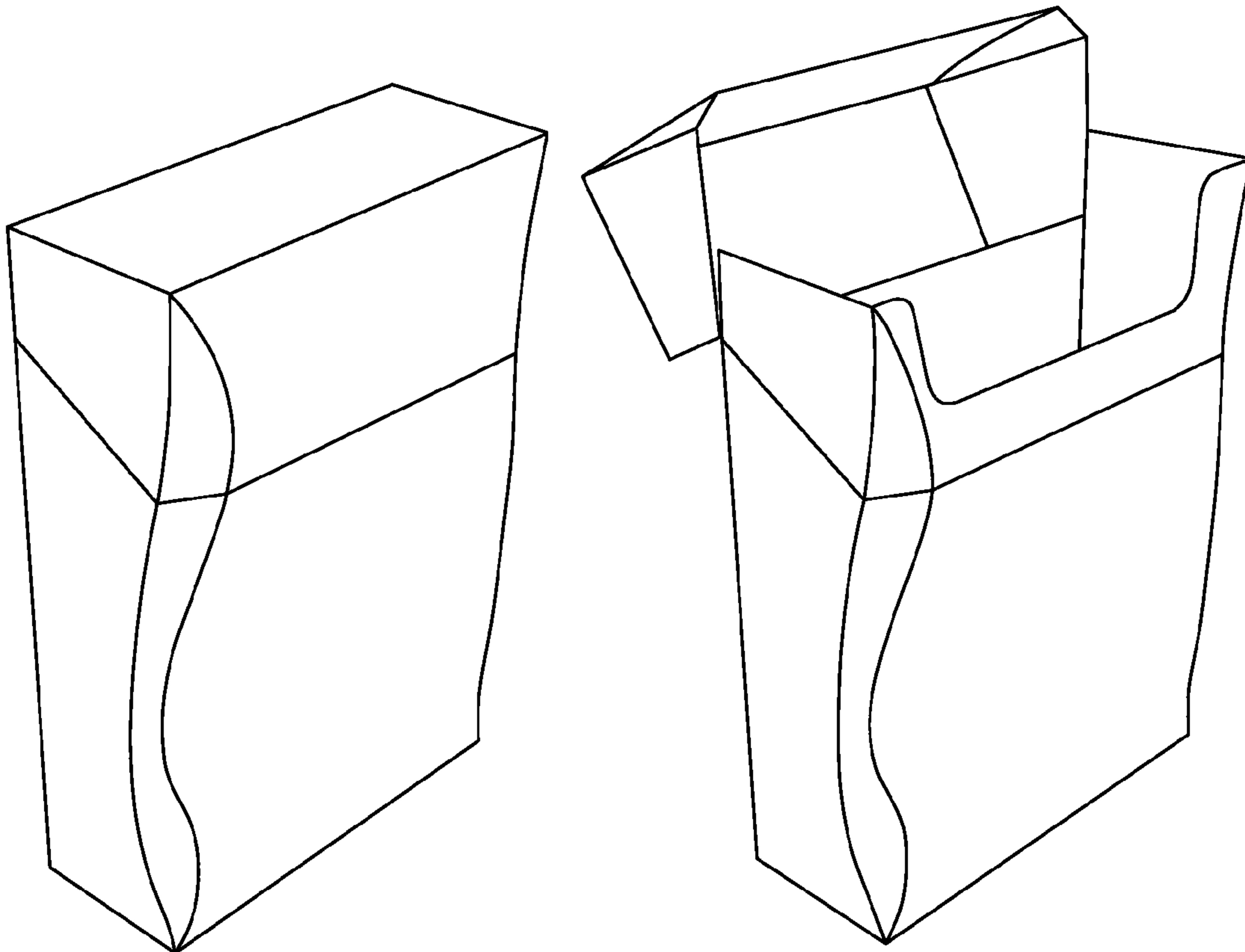
FIG. 4 is a rear view thereof;

FIG. 5 is a top view thereof, the bottom view being a mirror image thereof;

FIG. 6 is a front top left perspective view thereof in the closed position; and,

FIG. 7 is a front top left perspective view thereof in an open position.

1 Claim, 2 Drawing Sheets



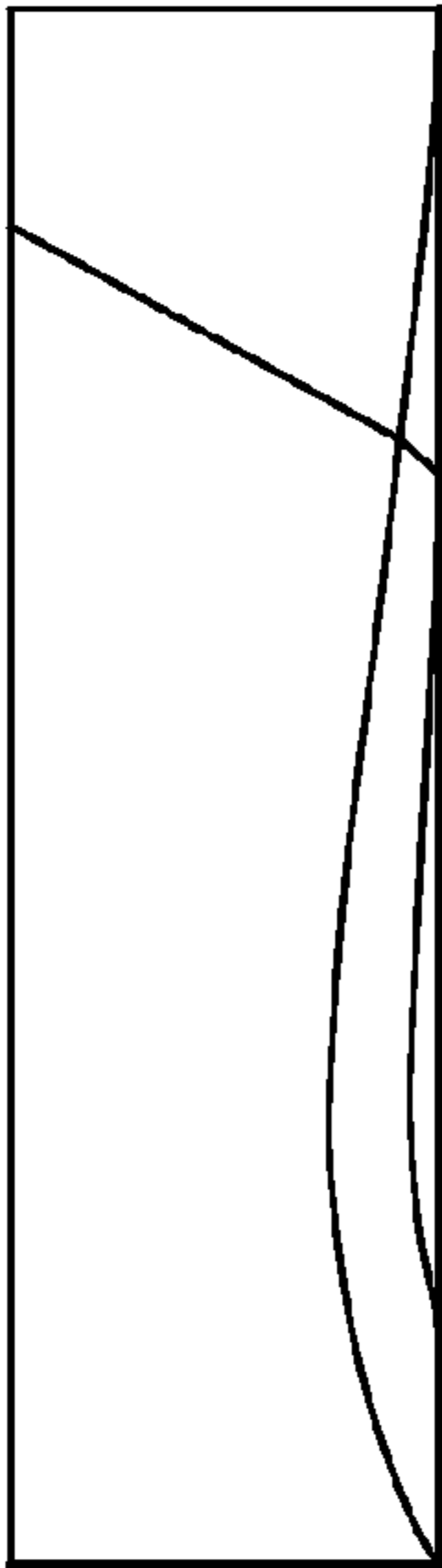


FIG. 2

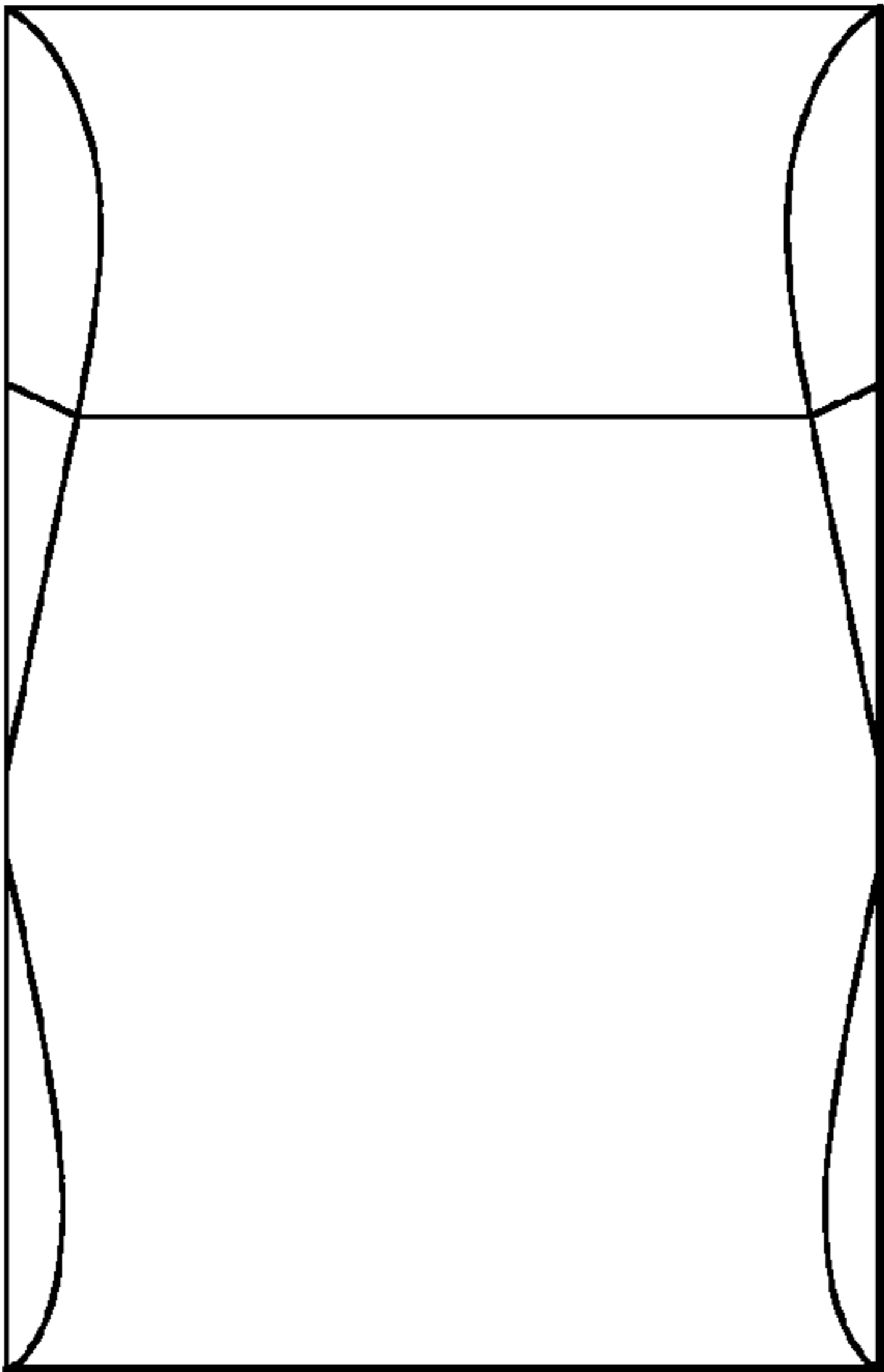


FIG. 1

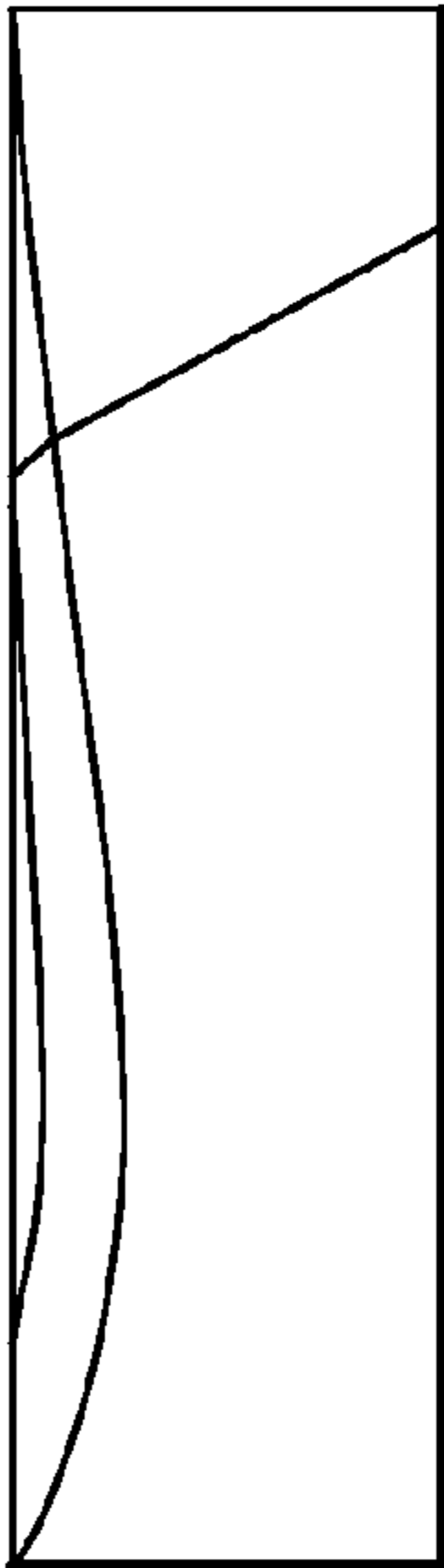


FIG. 3

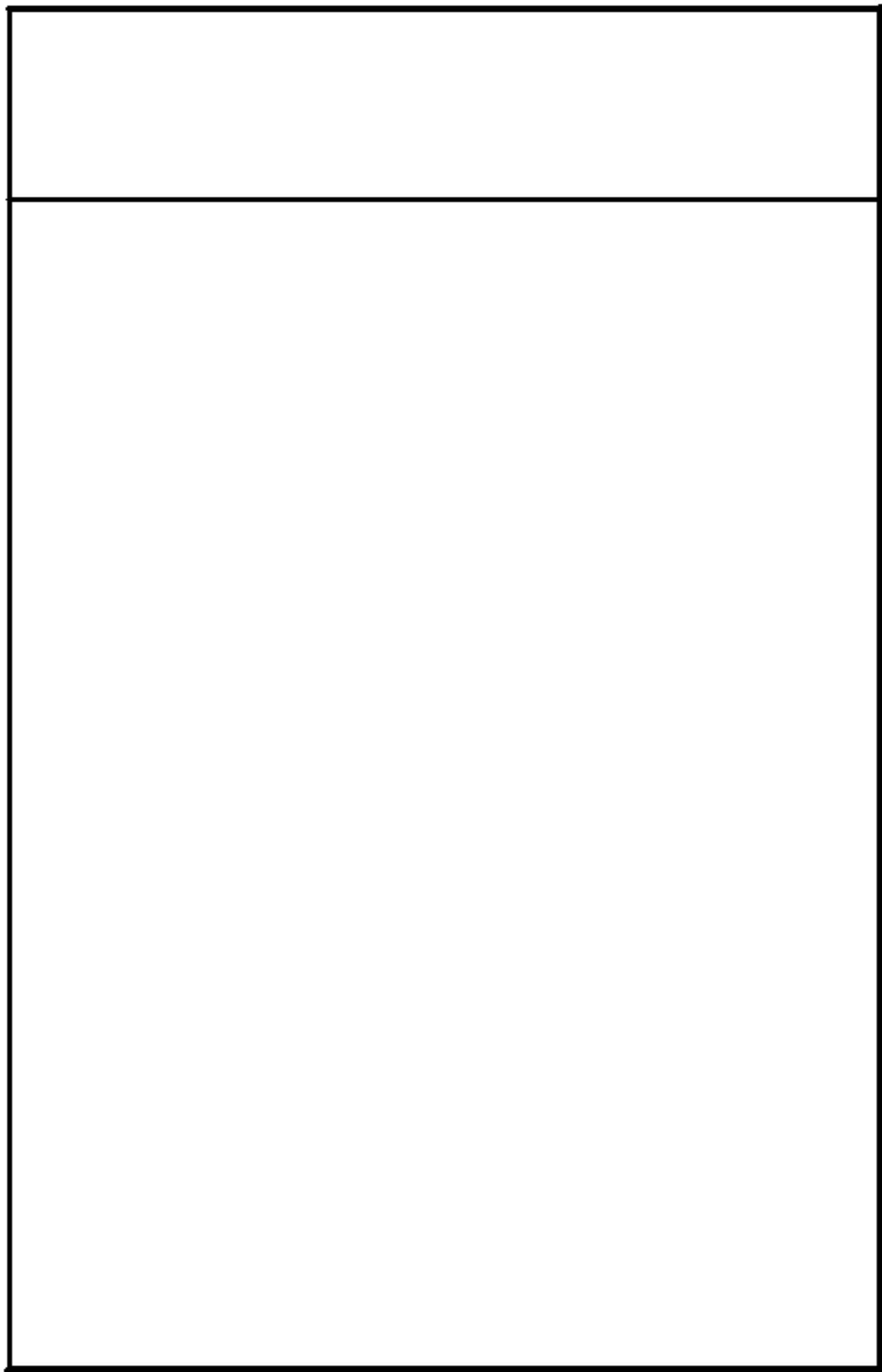


FIG. 4



FIG. 5

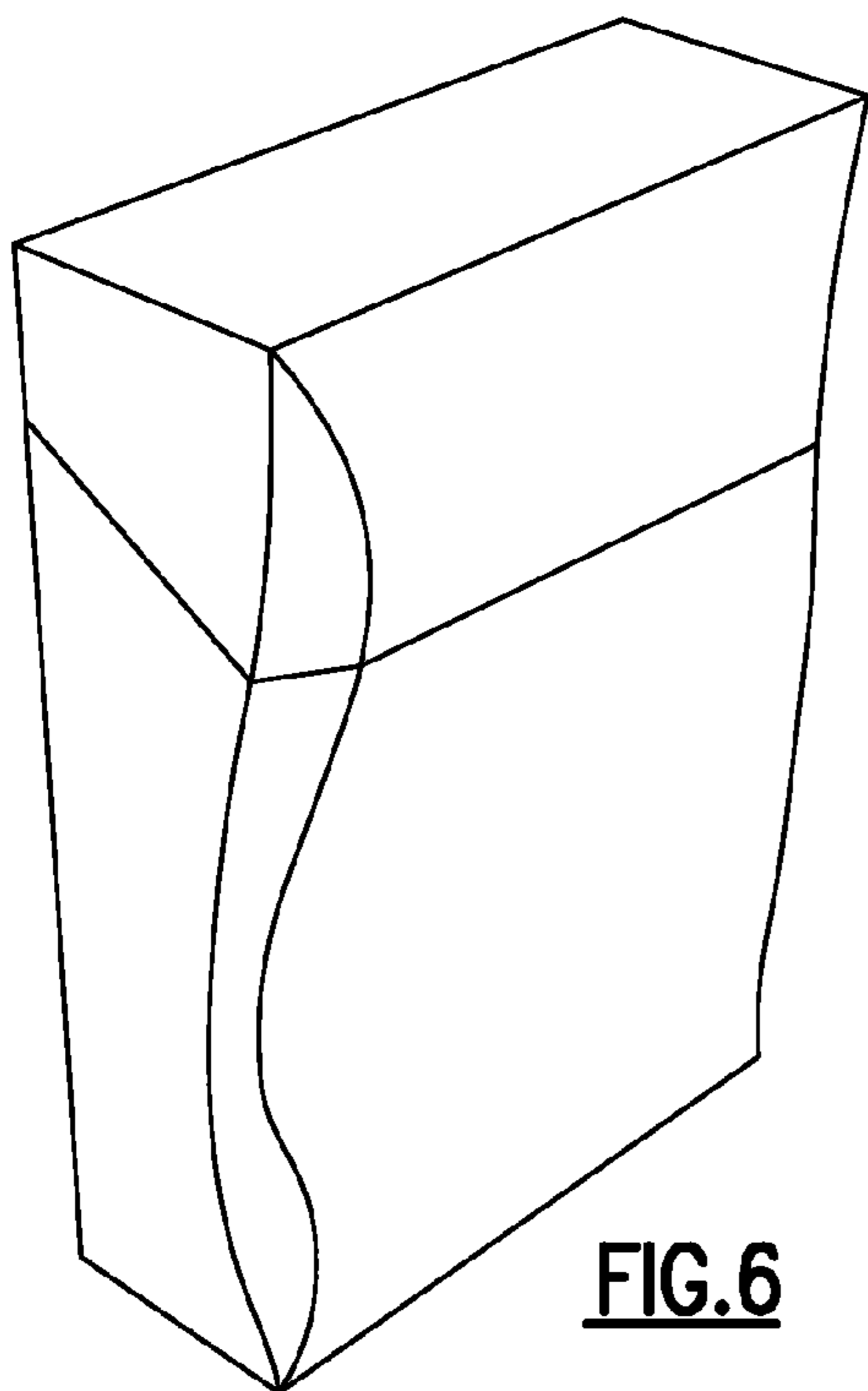


FIG. 6

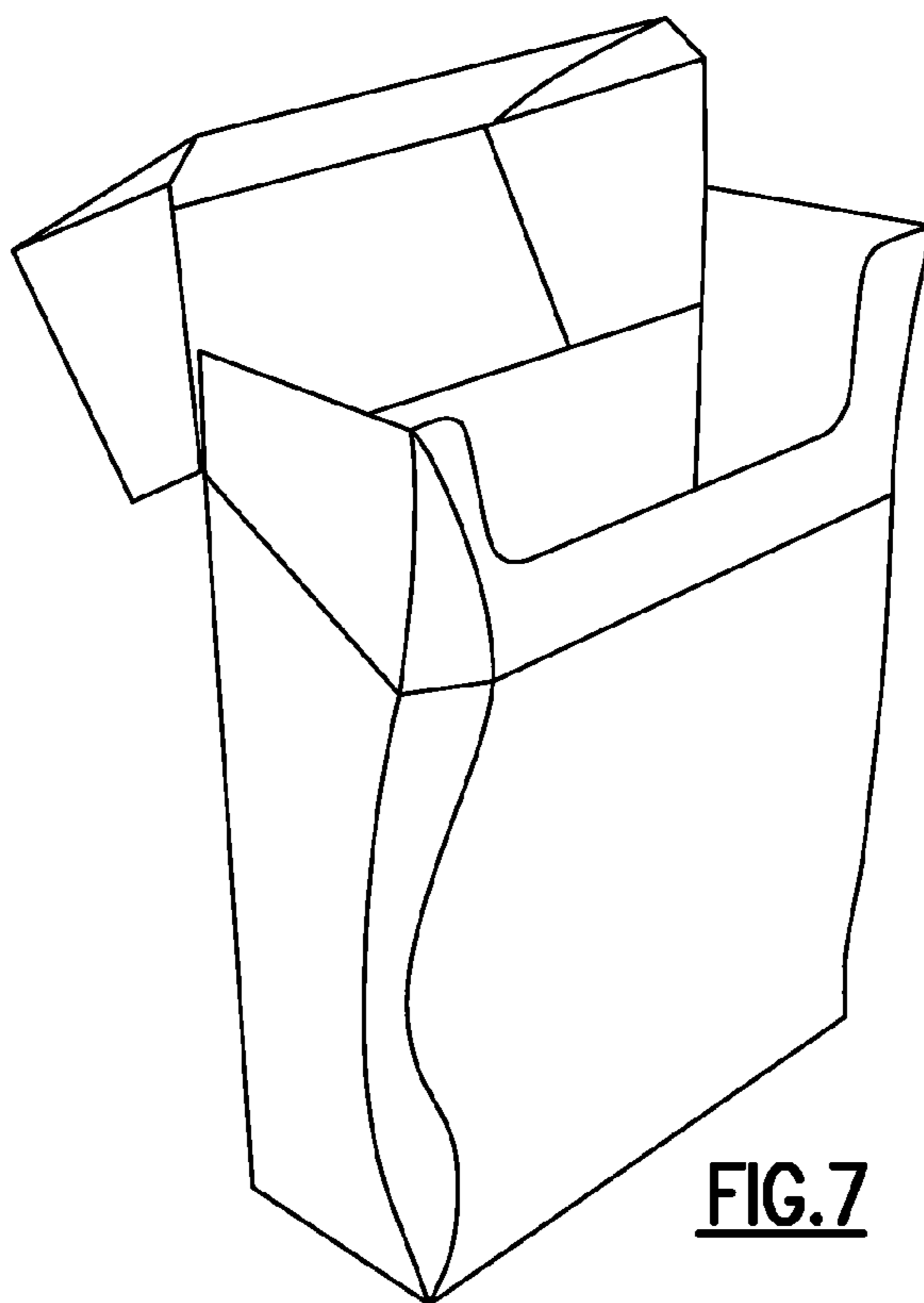


FIG. 7