



US00D607316S

(12) **United States Design Patent**
Verebelyi et al.

(10) **Patent No.:** **US D607,316 S**
(45) **Date of Patent:** **** Jan. 5, 2010**

(54) **CIGARETTE PACKAGE**

(75) Inventors: **Nicholas Bela Verebelyi**, London (GB);
Edward Arthur Charles Mitchell,
London (GB); **John William Hall**,
London (GB)

(73) Assignee: **British American Tobacco**
(Investments) Limited, London (GB)

(**) Term: **14 Years**

(21) Appl. No.: **29/336,031**

(22) Filed: **Apr. 27, 2009**

Related U.S. Application Data

(62) Division of application No. 29/303,174, filed on Feb. 1, 2008, now Pat. No. Des. 593,406.

(30) **Foreign Application Priority Data**

Aug. 6, 2007 (EM) 000771928

(51) **LOC (9) Cl.** **09-03**

(52) **U.S. Cl.** **D9/420**

(58) **Field of Classification Search** D9/420,
D9/423, 432, 433, 607; 206/242, 245, 265,
206/266, 268, 271, 273; 229/101, 125.21,
229/125.37, 145, 212, 225, 160.1; D27/186,
D27/189

See application file for complete search history.

(56) **References Cited**

U.S. PATENT DOCUMENTS

4,015,769 A * 4/1977 Erlich 206/92

D278,207 S * 4/1985 McLaughlin D3/203.2
5,044,550 A * 9/1991 Lamm 229/160.1
5,405,007 A * 4/1995 Iwahashi 206/387.1
D449,521 S * 10/2001 Pinkus et al. D9/424
D491,806 S * 6/2004 May D9/424
6,929,120 B2 * 8/2005 Zonker et al. 206/268
D573,303 S * 7/2008 Fuente D27/189
2004/0178088 A1 * 9/2004 Zonker et al. 206/242

* cited by examiner

Primary Examiner—Daniel D Bui

Assistant Examiner—Thomas J Johannes

(74) *Attorney, Agent, or Firm*—Walter G. Hanchuk;
Chadbourne & Parke LLP

(57) **CLAIM**

The ornamental design for cigarette package, as shown and described.

DESCRIPTION

FIG. 1 is a front left top perspective view of a cigarette package, showing our new design, with the lid closed;

FIG. 2 is a front view thereof;

FIG. 3 is a left view thereof;

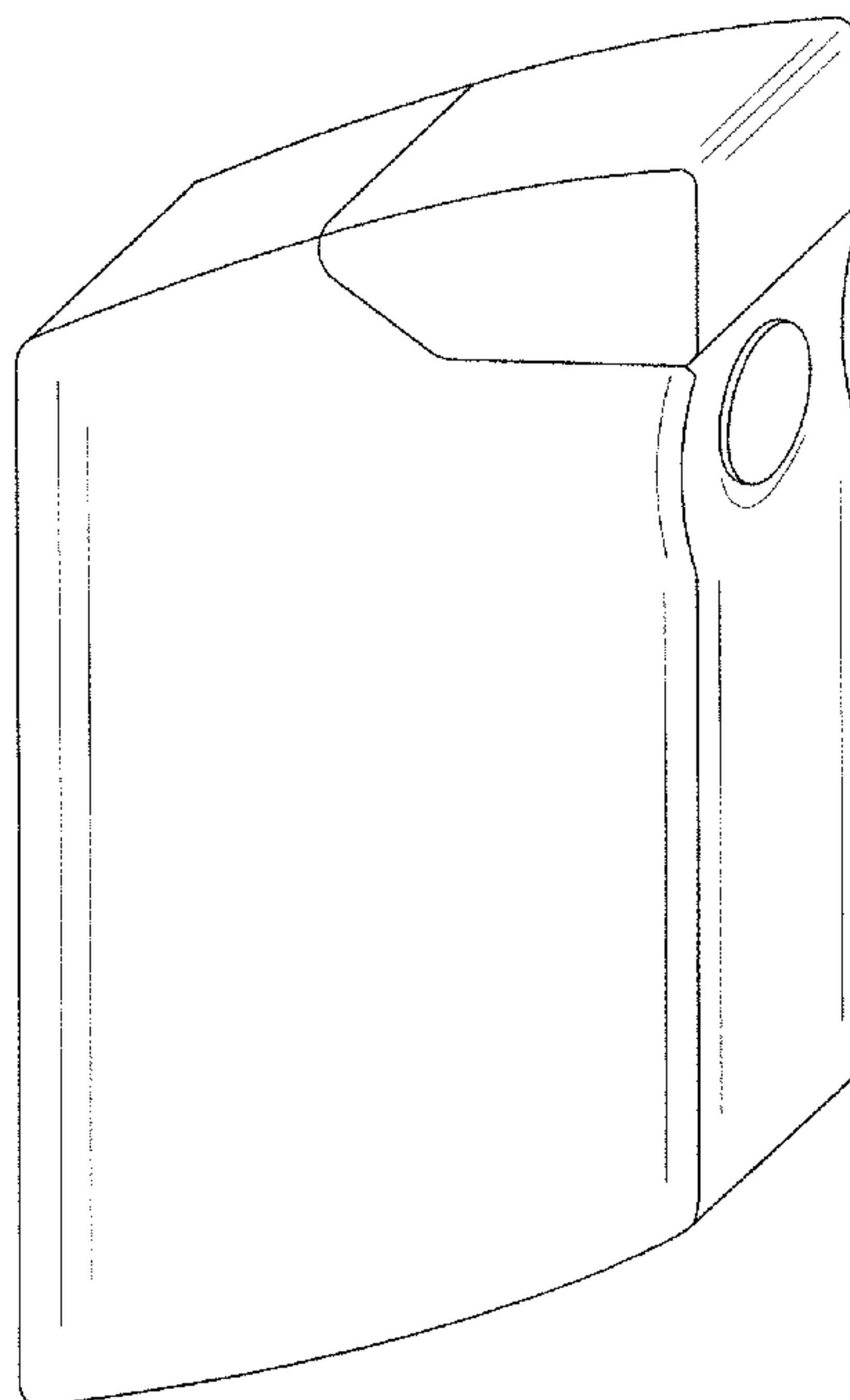
FIG. 4 is a right side view thereof;

FIG. 5 is a top side view thereof; and,

FIG. 6 is a front view thereof with the lid opened.

The broken line portion of the figure drawings is included to show unclaimed subject matter only and forms no part of the claimed design.

1 Claim, 5 Drawing Sheets



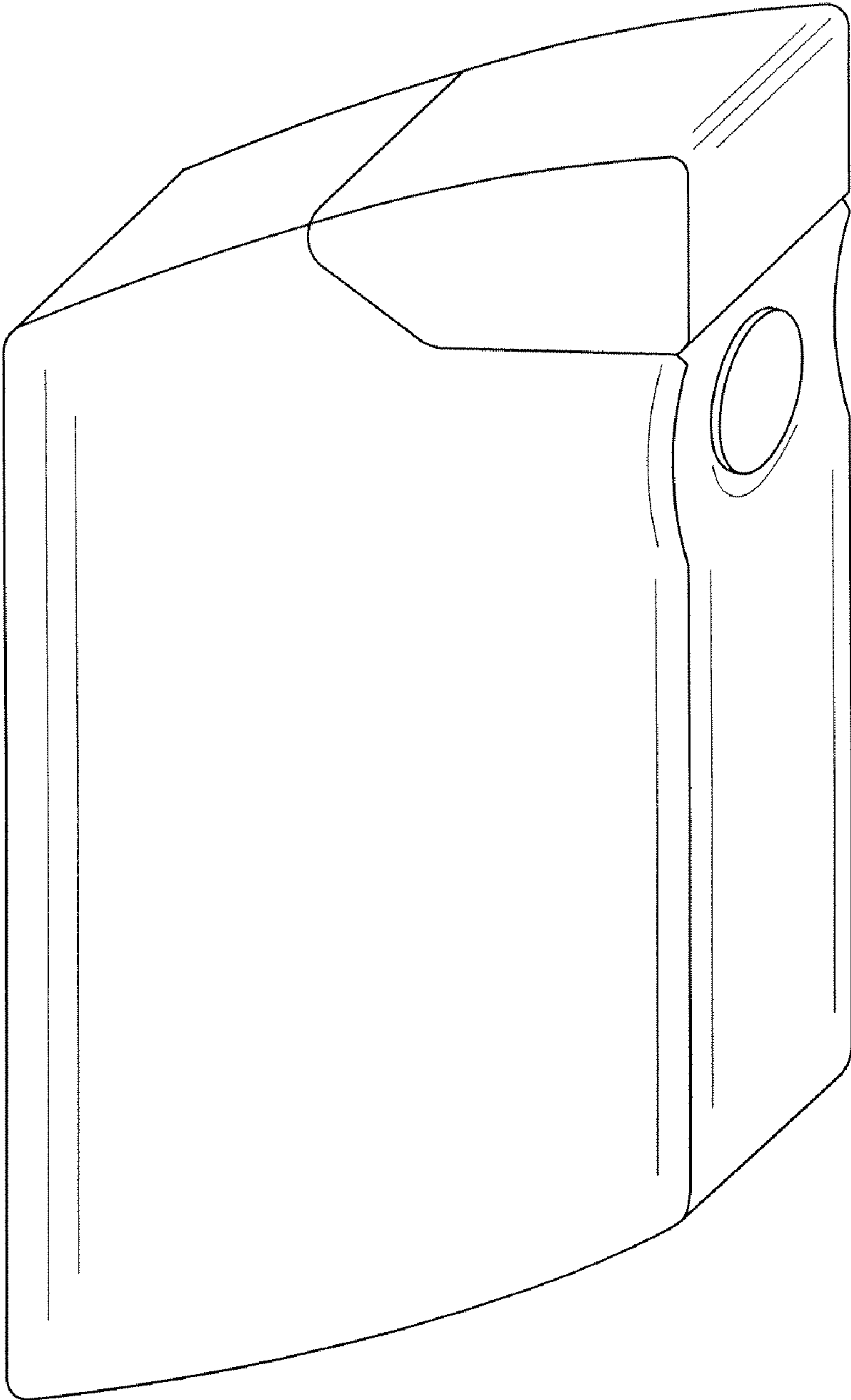


FIG. 1

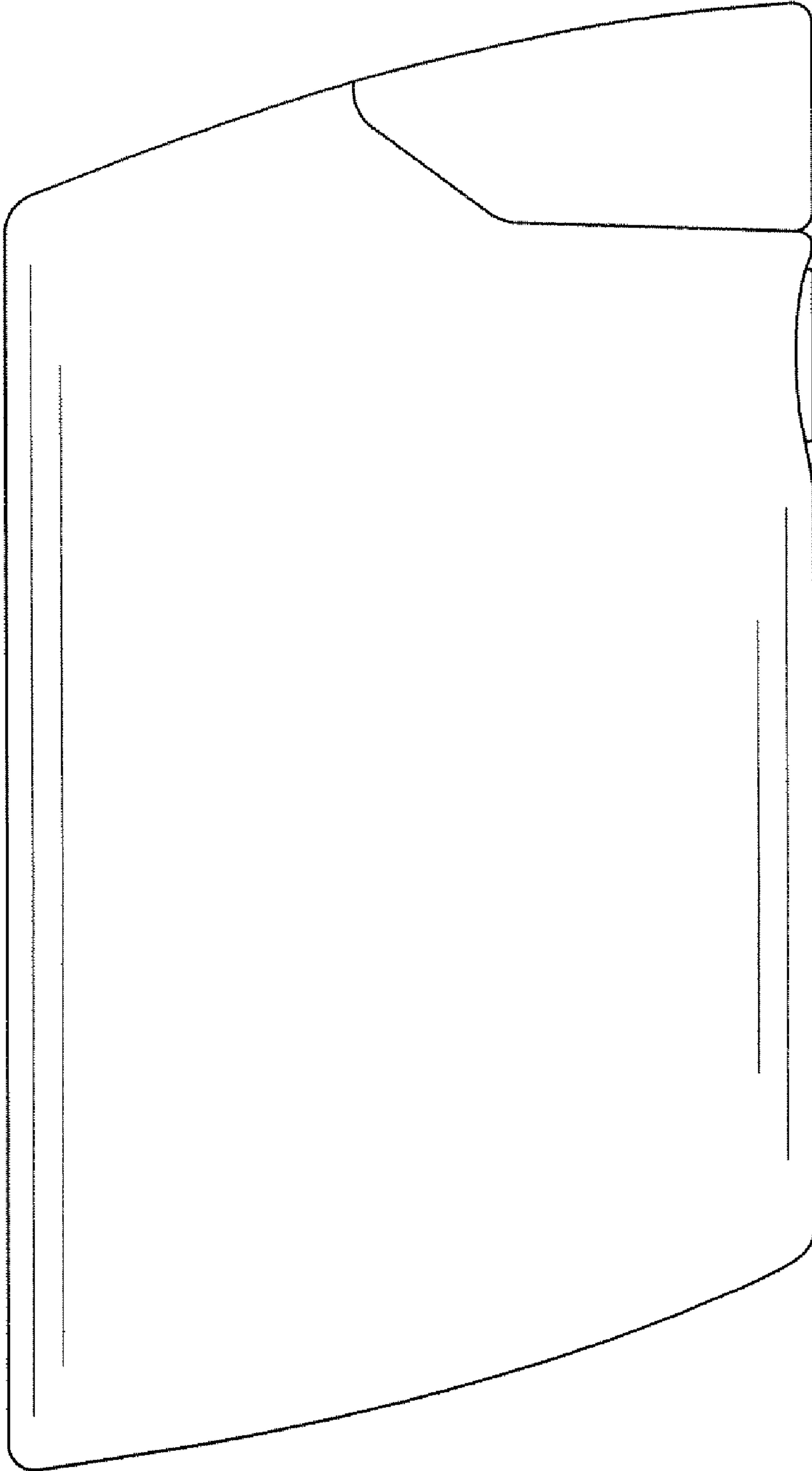


FIG.2

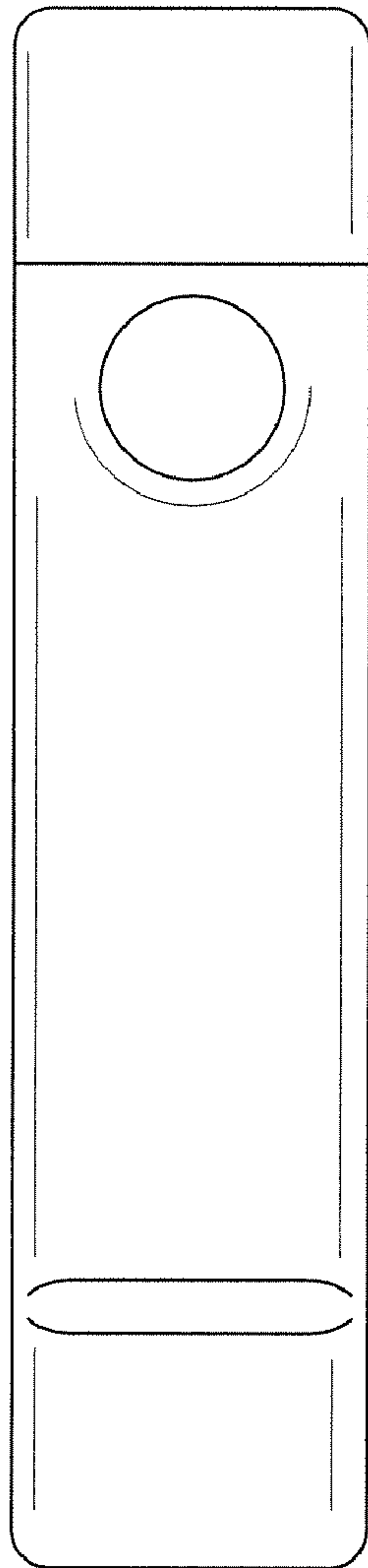


FIG.3

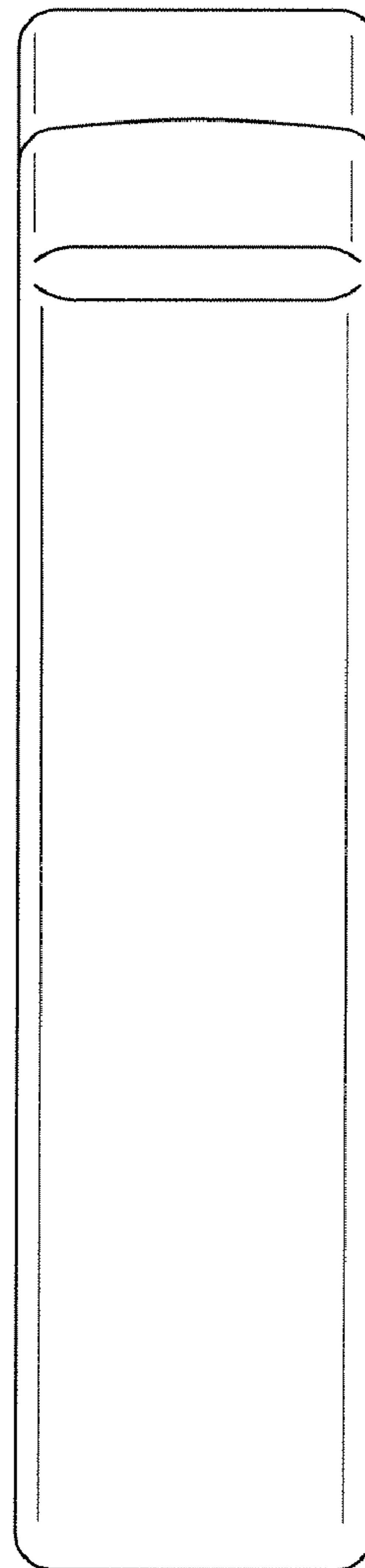


FIG.4

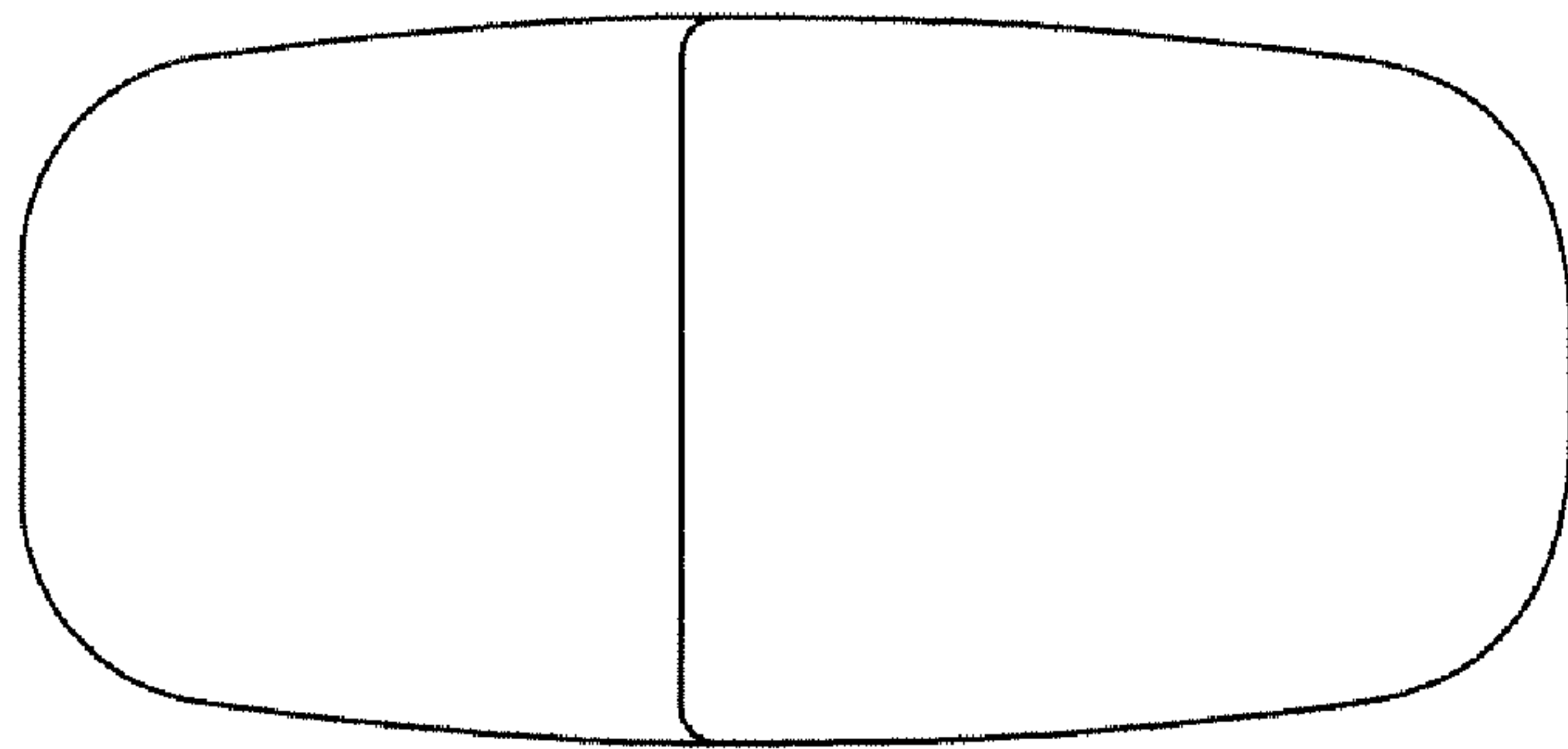


FIG.5

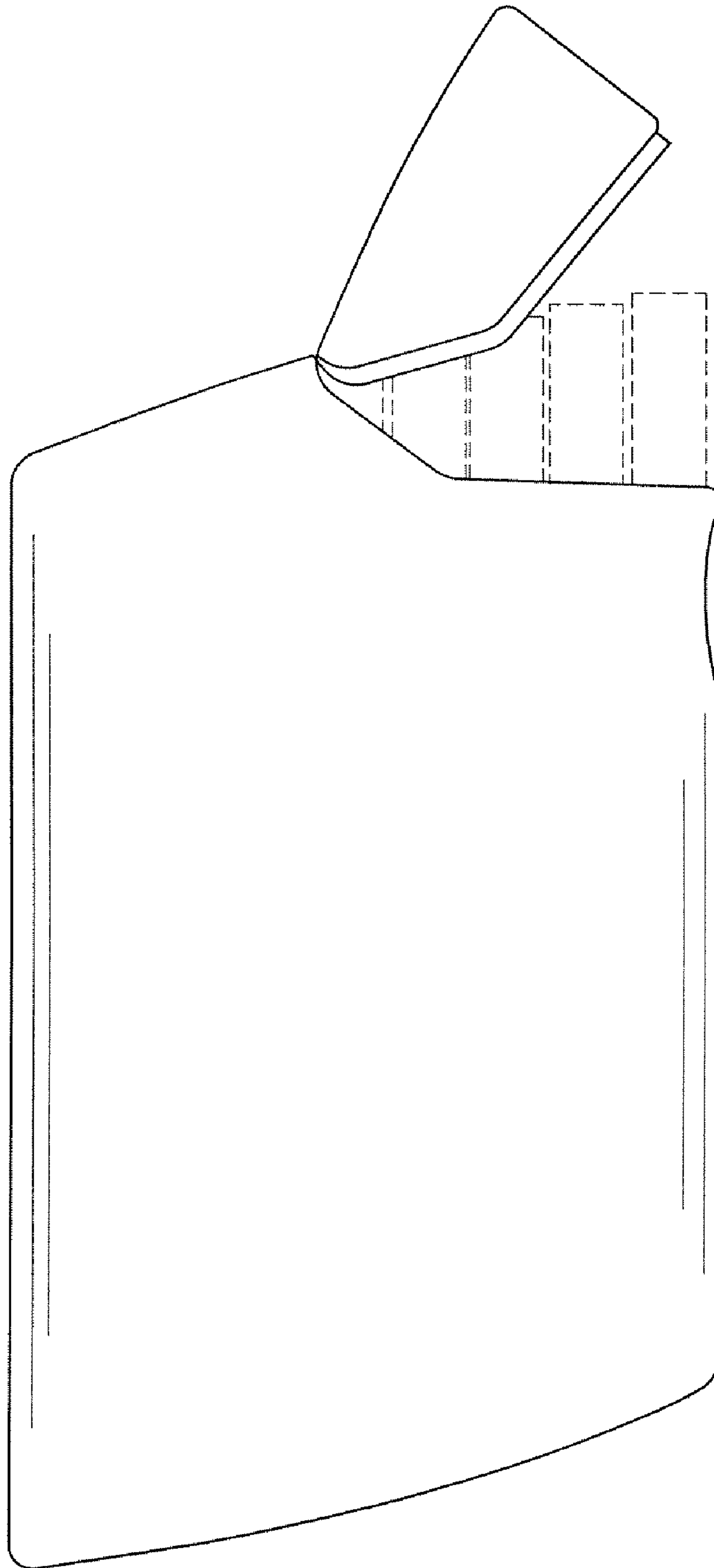


FIG. 6