



US00D607314S

(12) **United States Design Patent**
Caniparoli

(10) **Patent No.:** **US D607,314 S**

(45) **Date of Patent:** **** Jan. 5, 2010**

(54) **ATTACHMENT CLIP**

(75) **Inventor:** **Jeffrey L. Caniparoli**, Milwaukie, OR
(US)

(73) **Assignee:** **Leatherman Tool Group, Inc.**,
Portland, OR (US)

(**) **Term:** **14 Years**

(21) **Appl. No.:** **29/322,618**

(22) **Filed:** **Aug. 7, 2008**

(51) **LOC (9) Cl.** **08-08**

(52) **U.S. Cl.** **D8/395**

(58) **Field of Classification Search** D8/354,
D8/356, 371, 394-396; D19/65, 86; D24/128;
248/74.2, 215, 227.1, 49, 300, 301, 316.7,
248/51, 222.11, 229.16, 231.81, 302, 510;
24/570, 3.12, 296; D32/61; D11/78.1
See application file for complete search history.

(56) **References Cited**

U.S. PATENT DOCUMENTS

- 1,098,466 A * 6/1914 Whiteman 248/231.81
- 1,178,558 A * 4/1916 Turner 248/518
- 1,240,377 A * 9/1917 Seng 248/541
- 1,580,847 A * 4/1926 Moineau 248/302
- 4,724,967 A * 2/1988 Valiulis 211/59.1
- 4,830,196 A * 5/1989 Csanady 211/19
- 5,996,955 A * 12/1999 Chen 248/302
- D450,873 S * 11/2001 Opolka D26/49
- D488,996 S * 4/2004 DeBiasio, Jr. D8/370
- 6,752,557 B1 * 6/2004 Hsieh 401/117

- D521,170 S * 5/2006 Craft et al. D26/49
- D530,599 S * 10/2006 Martin D8/395
- D531,743 S 11/2006 Opolka
- D576,478 S * 9/2008 Mead et al. D8/395

* cited by examiner

Primary Examiner—T. Chase Nelson

Assistant Examiner—John Windmuller

(74) *Attorney, Agent, or Firm*—Alston & Bird LLP

(57) **CLAIM**

The ornamental design for an attachment clip, as shown and described.

DESCRIPTION

FIG. 1 is a perspective view of an attachment clip according to my new design, shown with a flashlight;

FIG. 2 is another perspective view thereof;

FIG. 3 is a front elevation view thereof;

FIG. 4 is a rear elevation view thereof;

FIG. 5 is a top plan view thereof;

FIG. 6 is a bottom plan view thereof;

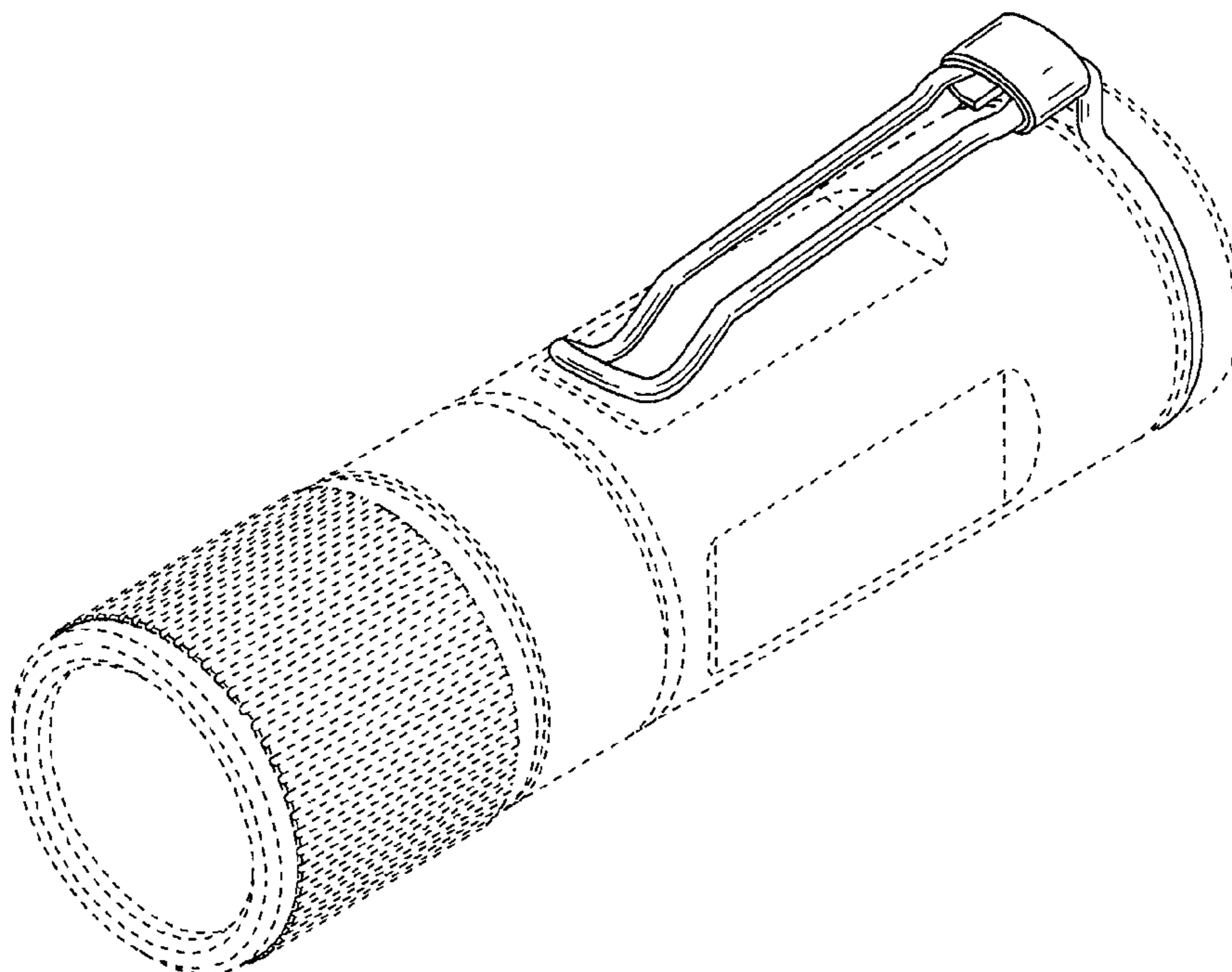
FIG. 7 is a left side elevation view thereof;

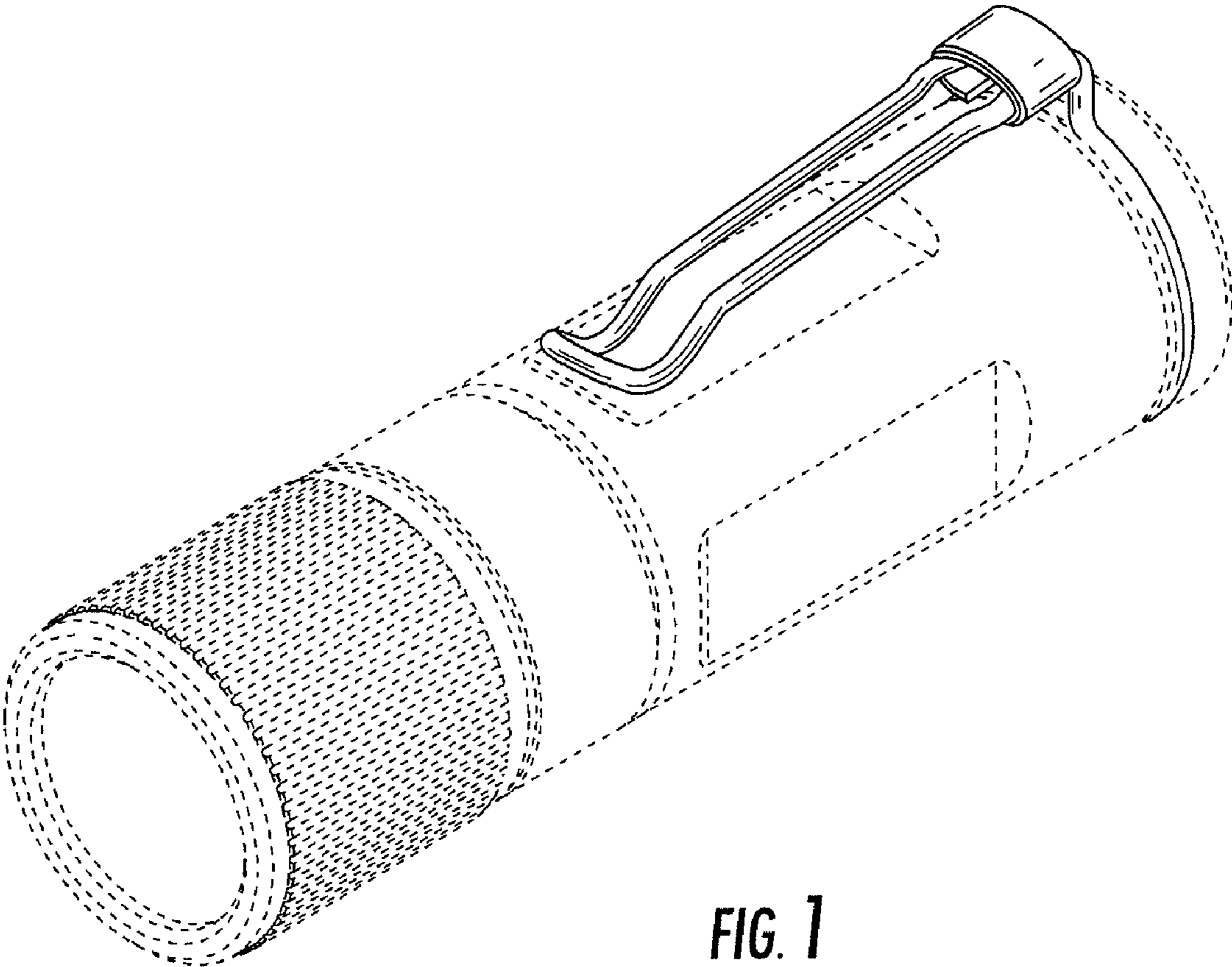
FIG. 8 is a right side elevation view thereof; and,

FIG. 9 is another bottom plan view thereof, shown without the flashlight.

The broken lines shown herein for illustrative purposes of the environment form no part of the claimed design.

1 Claim, 9 Drawing Sheets





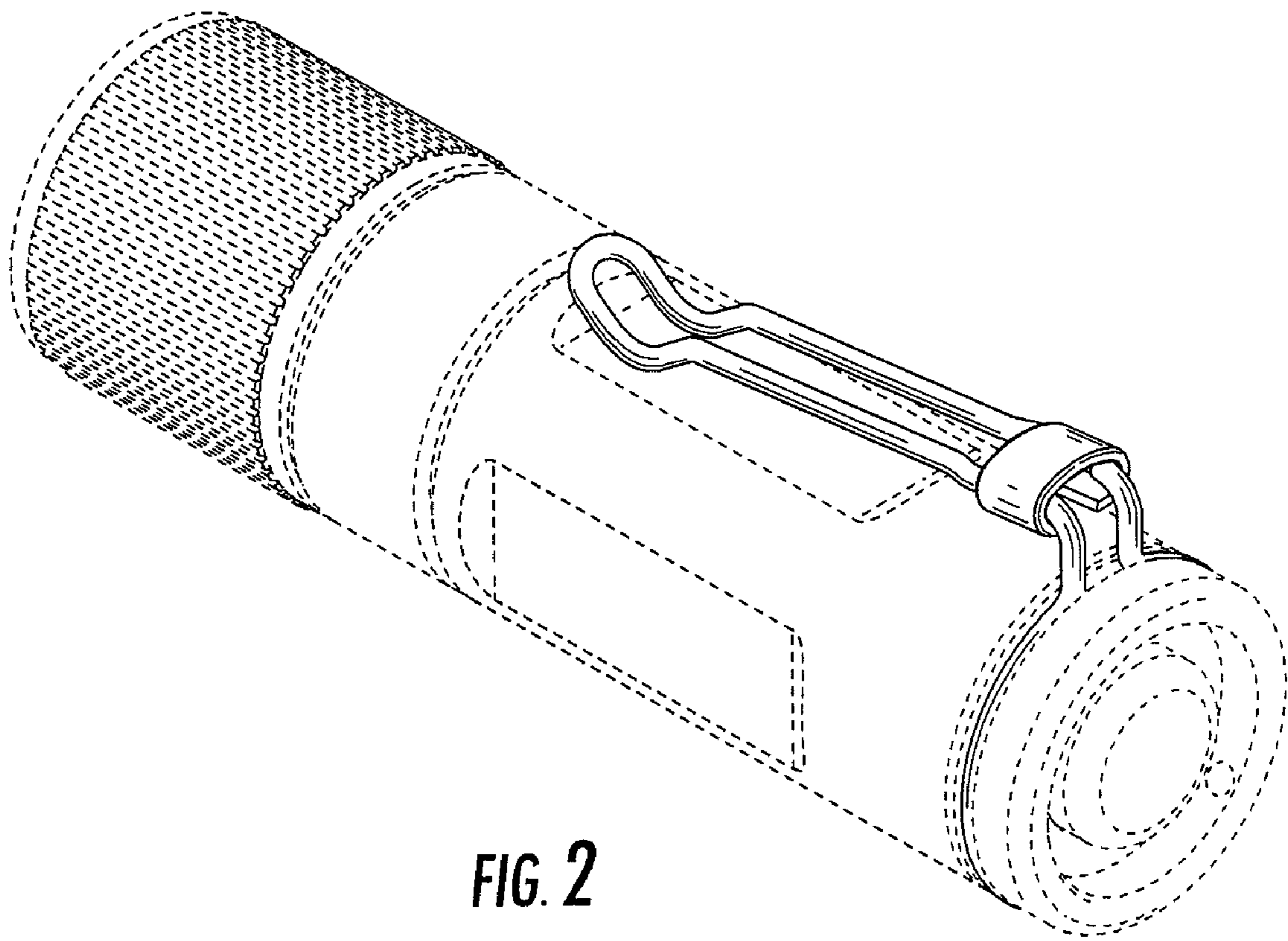


FIG. 2

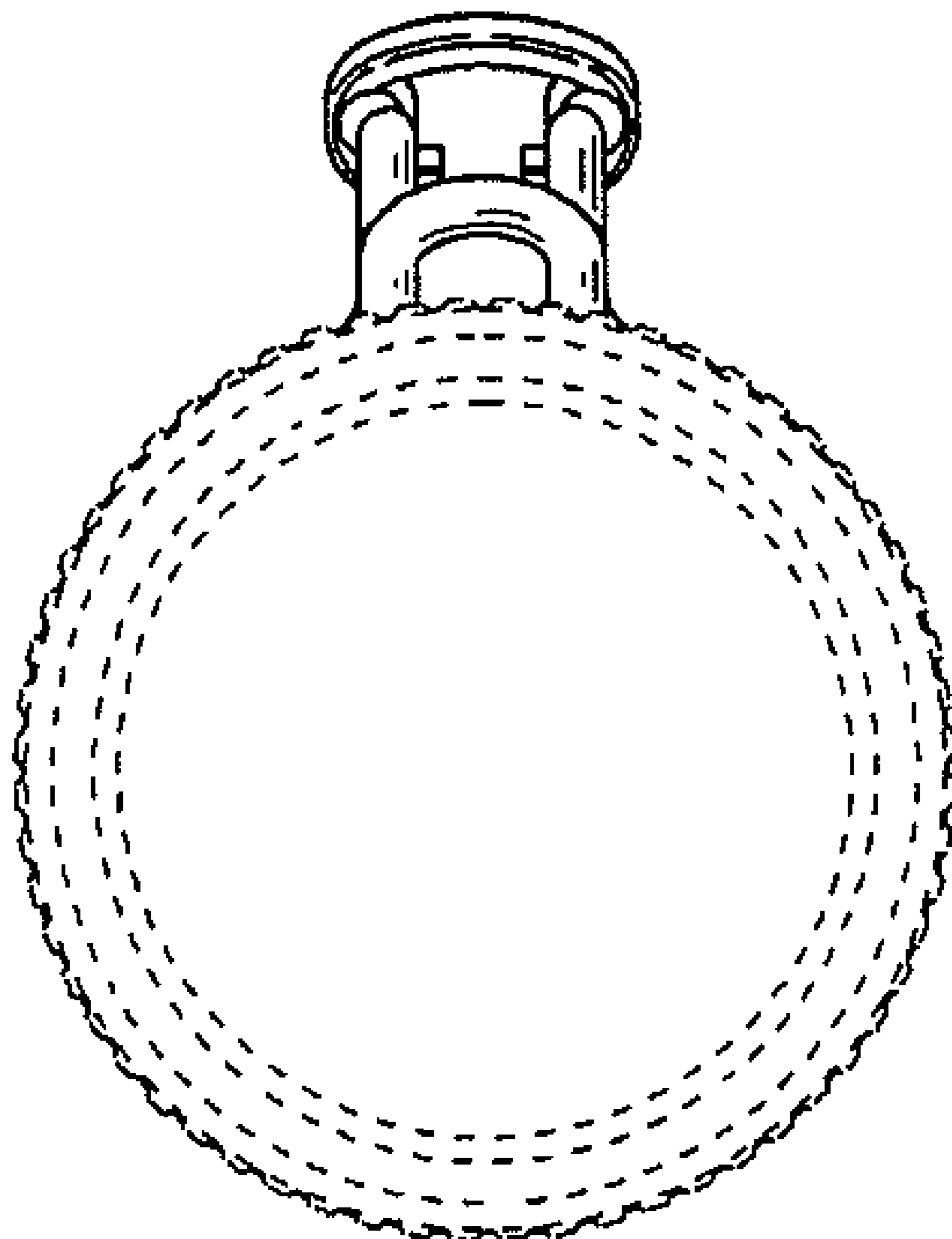


FIG. 3

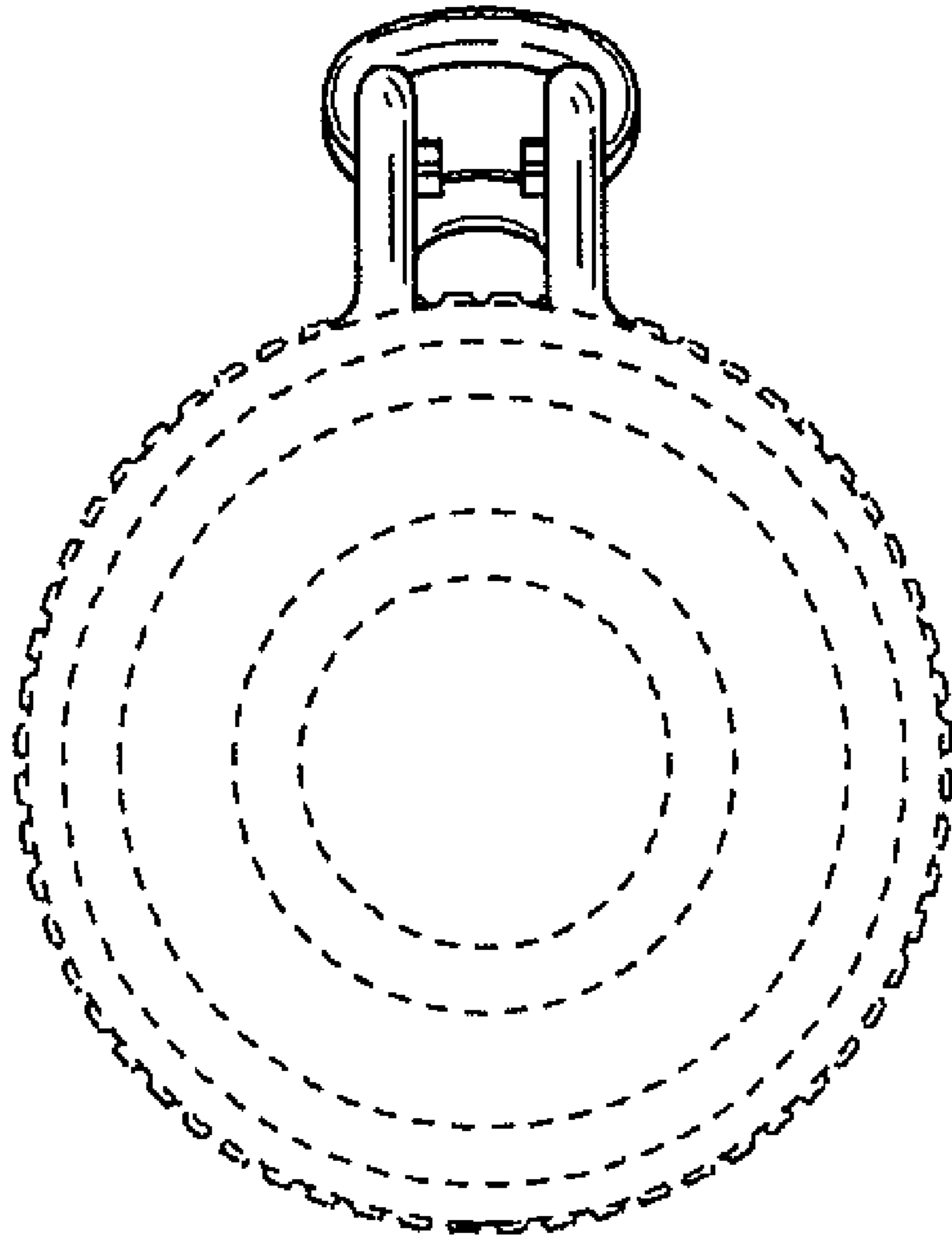


FIG. 4

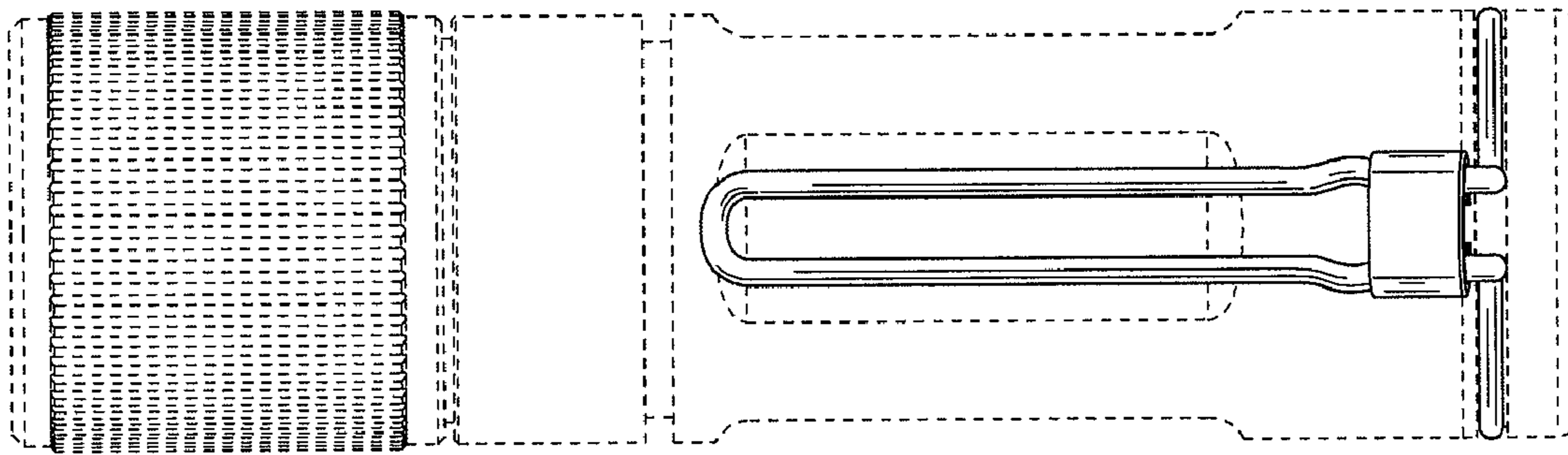


FIG. 5

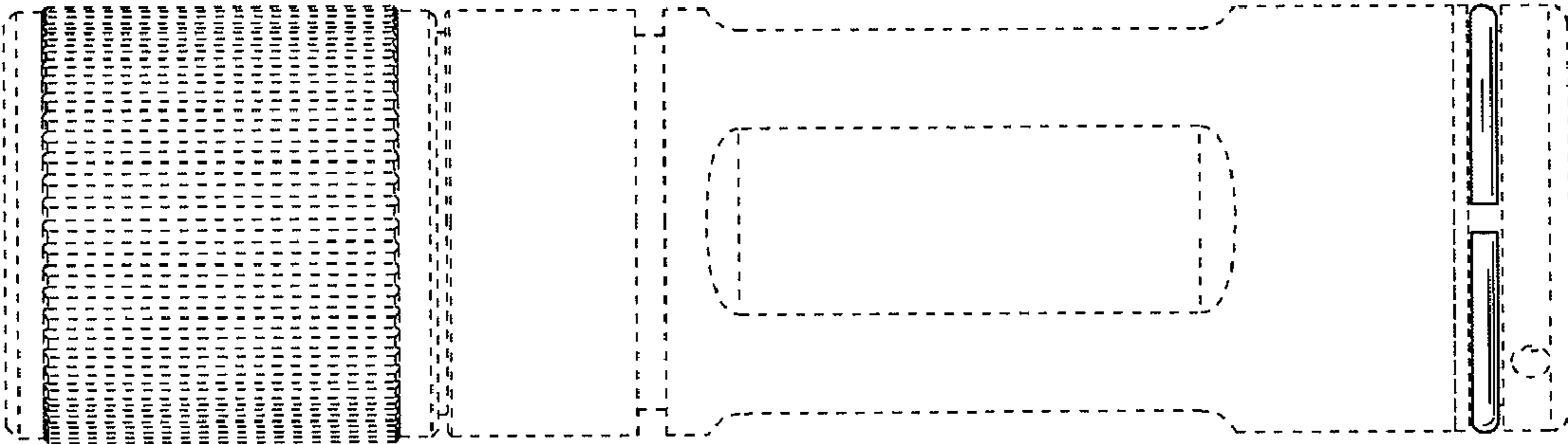


FIG. 6

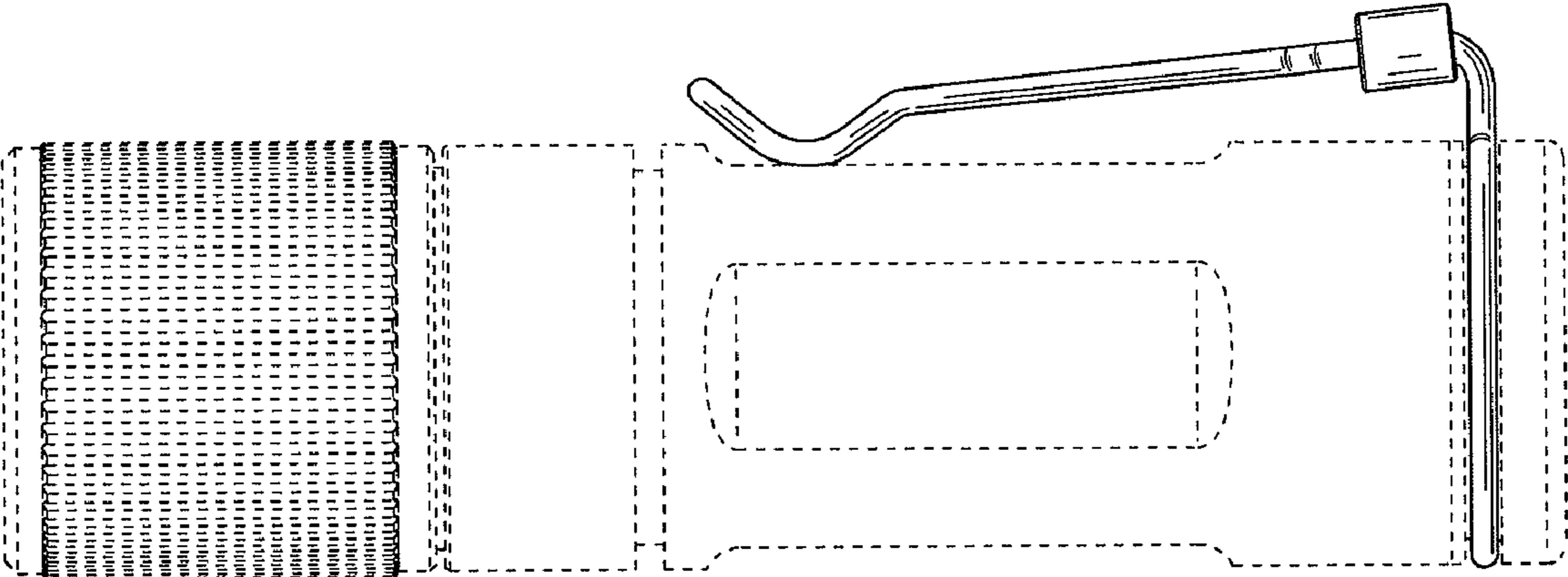


FIG. 7

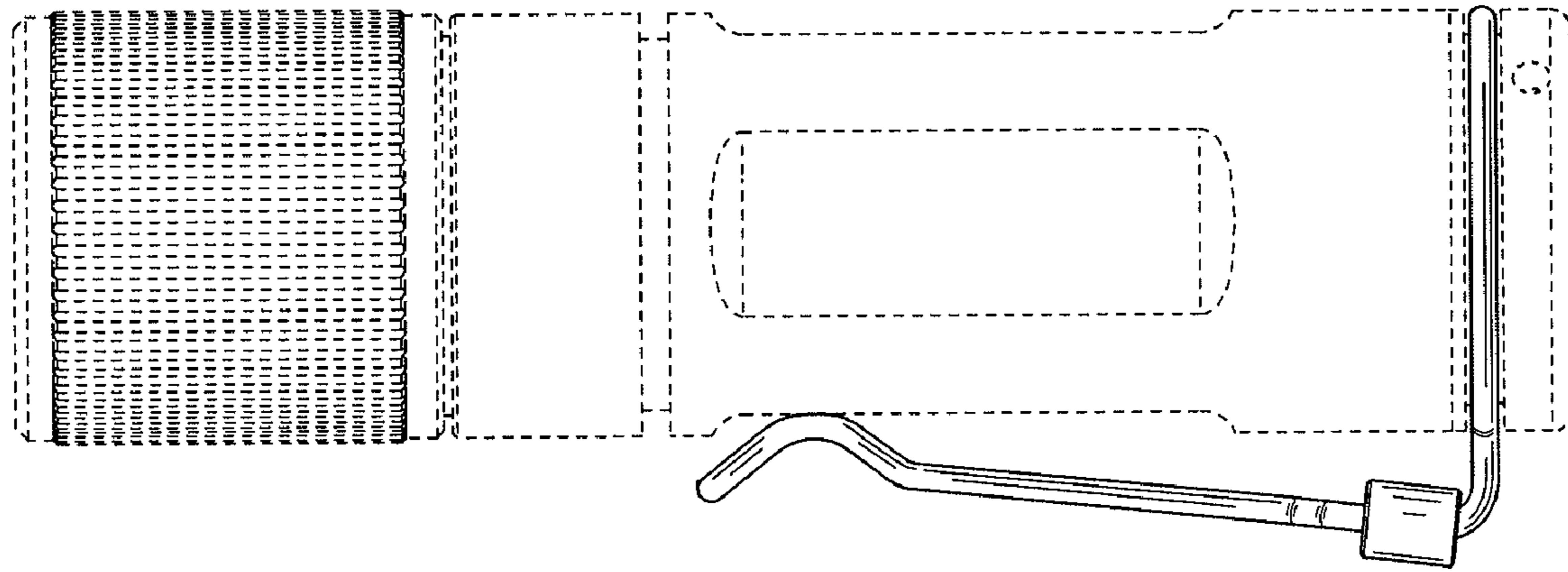


FIG. 8

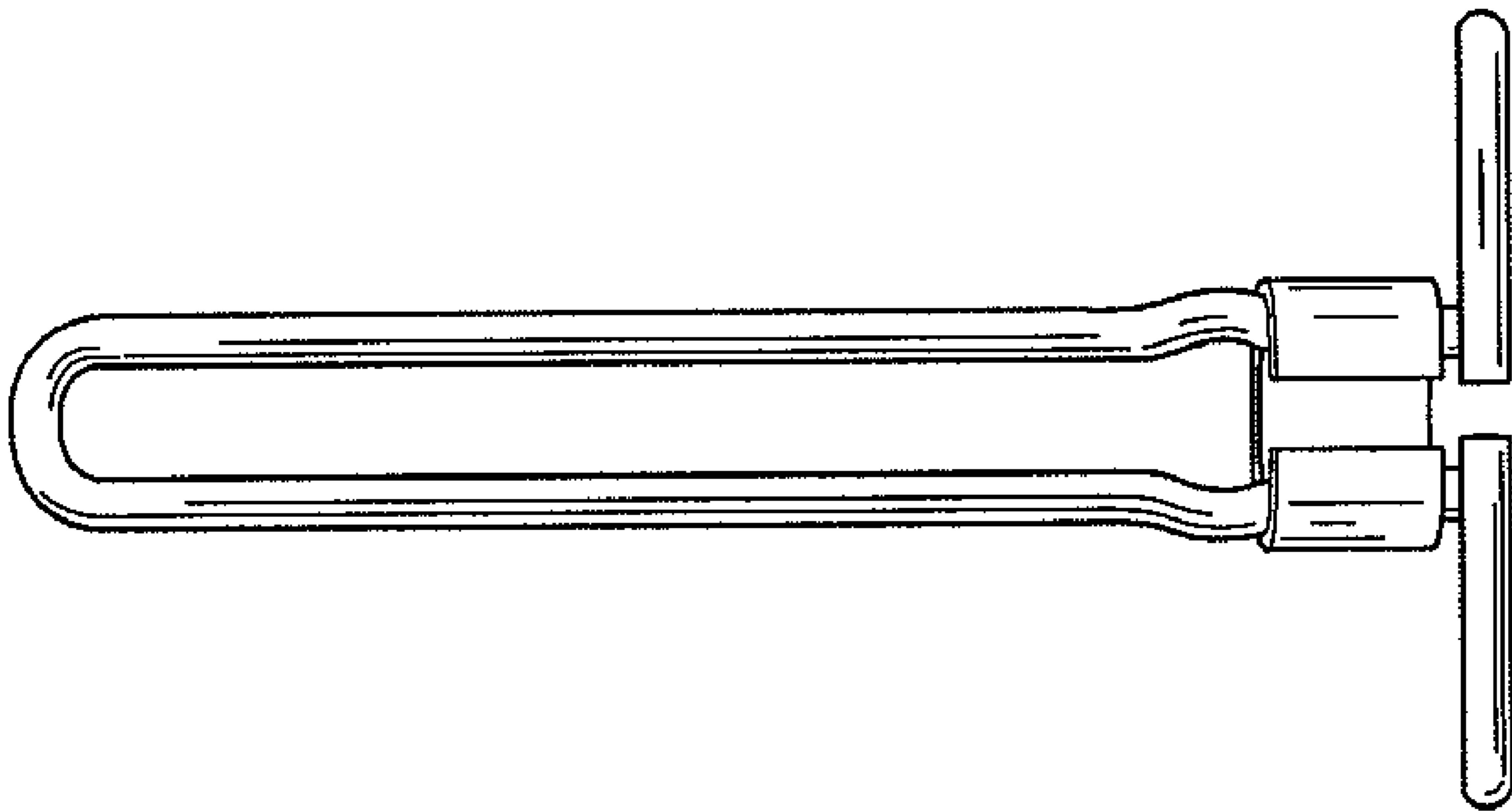


FIG. 9