



US00D607313S

(12) **United States Design Patent**
Larocque

(10) **Patent No.:** **US D607,313 S**
(45) **Date of Patent:** **** Jan. 5, 2010**

(54) **ATTACHMENT CLIP**

(75) Inventor: **Bruno Larocque, St-Pie (CA)**

(73) Assignee: **Bombardier Recreational Products Inc., Valcourt (CA)**

(**) Term: **14 Years**

(21) Appl. No.: **29/279,528**

(22) Filed: **May 2, 2007**

(51) **LOC (9) Cl.** **08-08**

(52) **U.S. Cl.** **D8/394**

(58) **Field of Classification Search** D8/356,
D8/371, 394-396; 24/570; 248/74.2, 215,
248/227.1, 49, 300, 301, 316.7, 51, 489;
D19/65, 56

See application file for complete search history.

(56) **References Cited**

U.S. PATENT DOCUMENTS

4,730,363	A	*	3/1988	Asbaghi	174/153	G
D317,132	S	*	5/1991	Knipfer et al.	D10/65	
D324,488	S	*	3/1992	Fujimoto	D8/356	
D324,644	S	*	3/1992	Jacobs	D8/356	
D393,878	S	*	4/1998	Suzuki	D19/65	
D427,034	S	*	6/2000	Cyrell	D8/44	
D436,518	S	*	1/2001	Matsubara	D8/356	
D443,811	S	*	6/2001	Tisbo	D8/356	
D443,816	S	*	6/2001	Ikeda	D8/396	
D452,709	S	*	1/2002	Najmi	D19/86	

D479,977 S * 9/2003 Ishida et al. D8/356
D550,067 S * 9/2007 Hsiao D8/356

* cited by examiner

Primary Examiner—T. Chase Nelson
Assistant Examiner—John Windmuller
(74) *Attorney, Agent, or Firm*—Osler, Hoskin & Harcourt LLP

(57) **CLAIM**

The ornamental design for an attachment clip, as shown and described.

DESCRIPTION

FIG. 1 is a front left perspective view of an attachment clip according to my design;

FIG. 2 is a front elevational view thereof;

FIG. 3 is a rear elevational view thereof;

FIG. 4 is a left side elevational view thereof, the right side being a mirror image thereof;

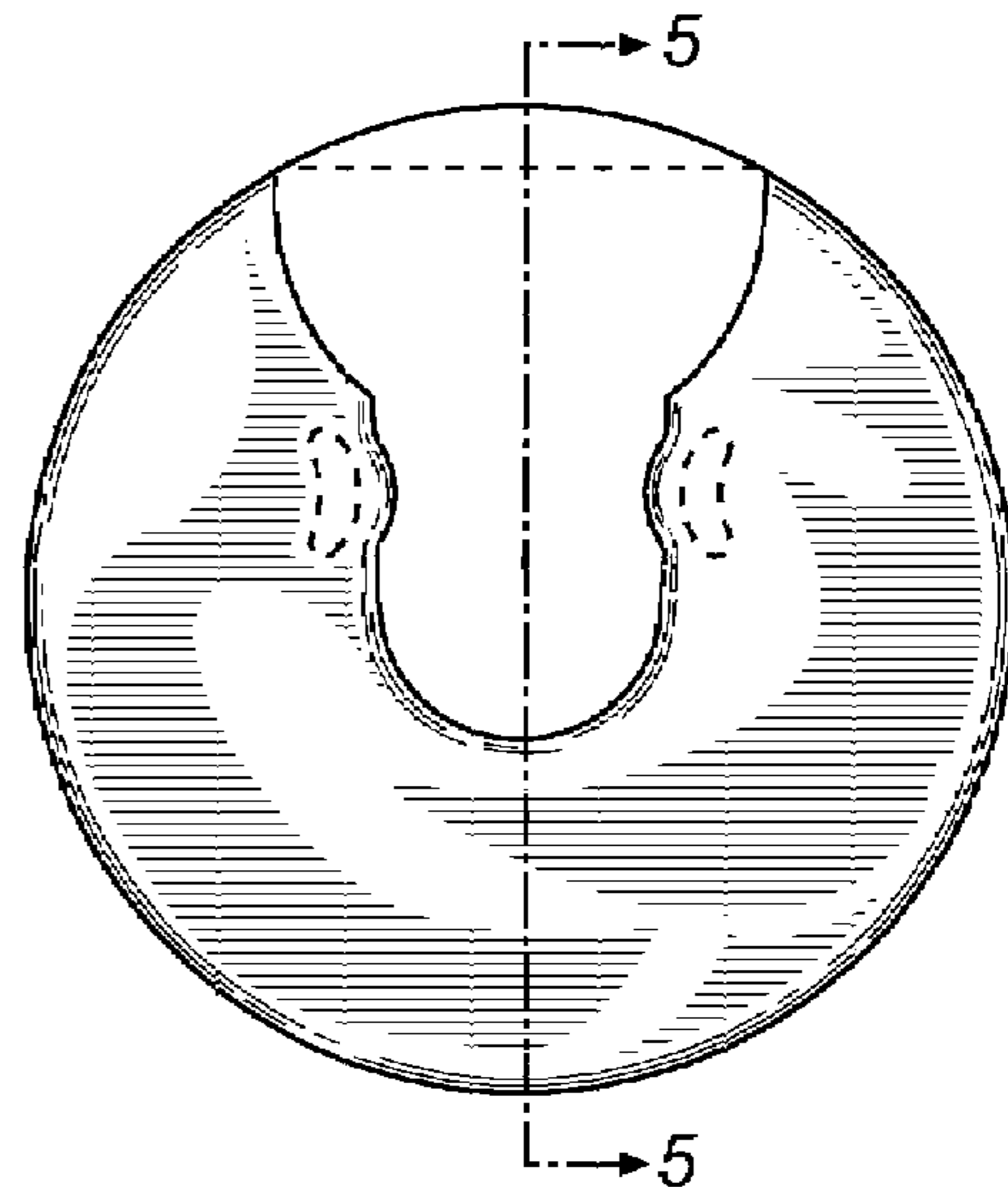
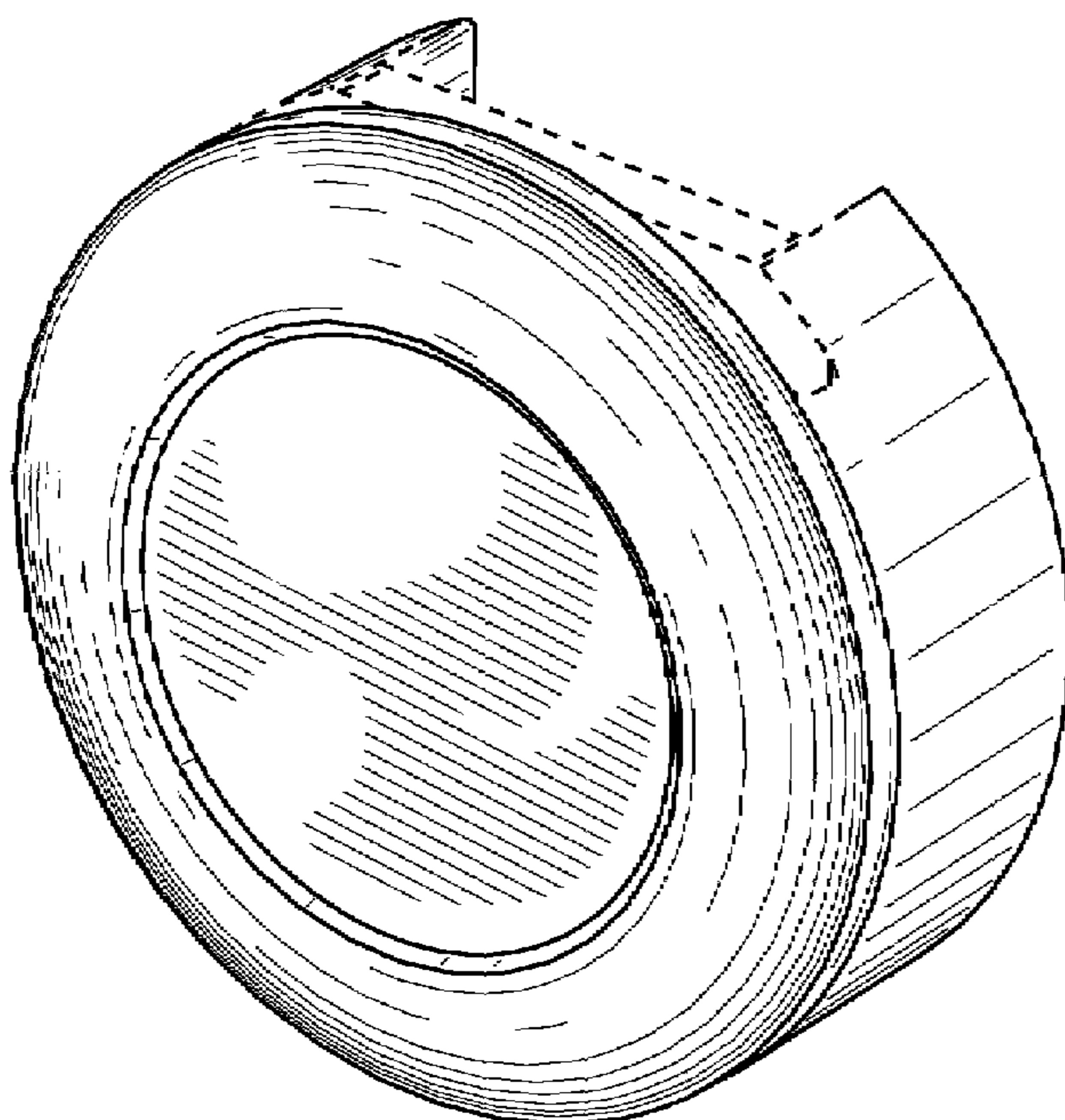
FIG. 5 is a section view thereof, taken along line 5—5 in FIG. 3;

FIG. 6 is a top plan view thereof; and,

FIG. 7 is a bottom plan view thereof.

Throughout the Figures, the broken lines show unclaimed portions of the attachment clip and form no part of the claimed design. Portions of the article not shown in the drawings form no part of the claimed design.

1 Claim, 4 Drawing Sheets



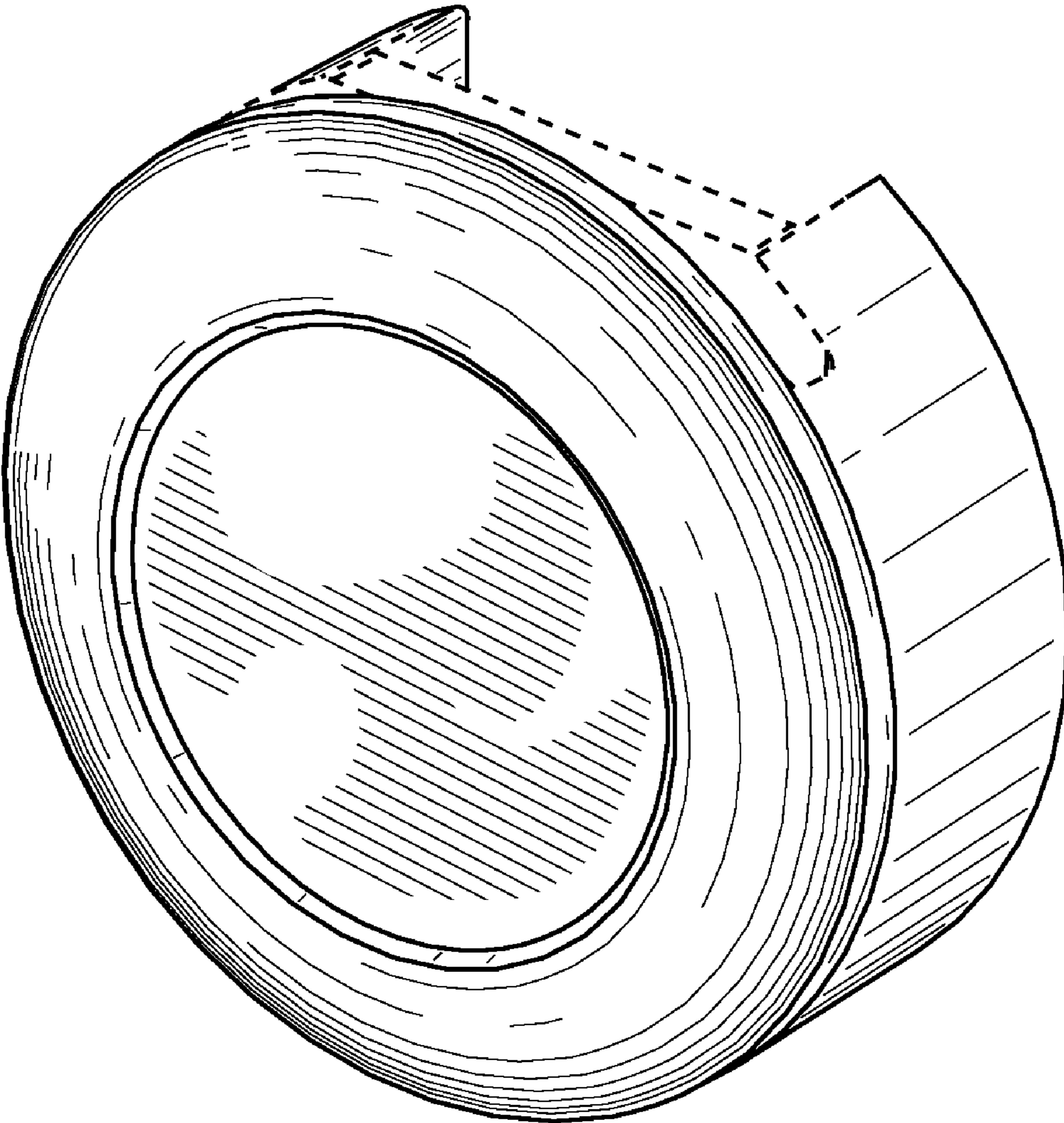


FIG. 1

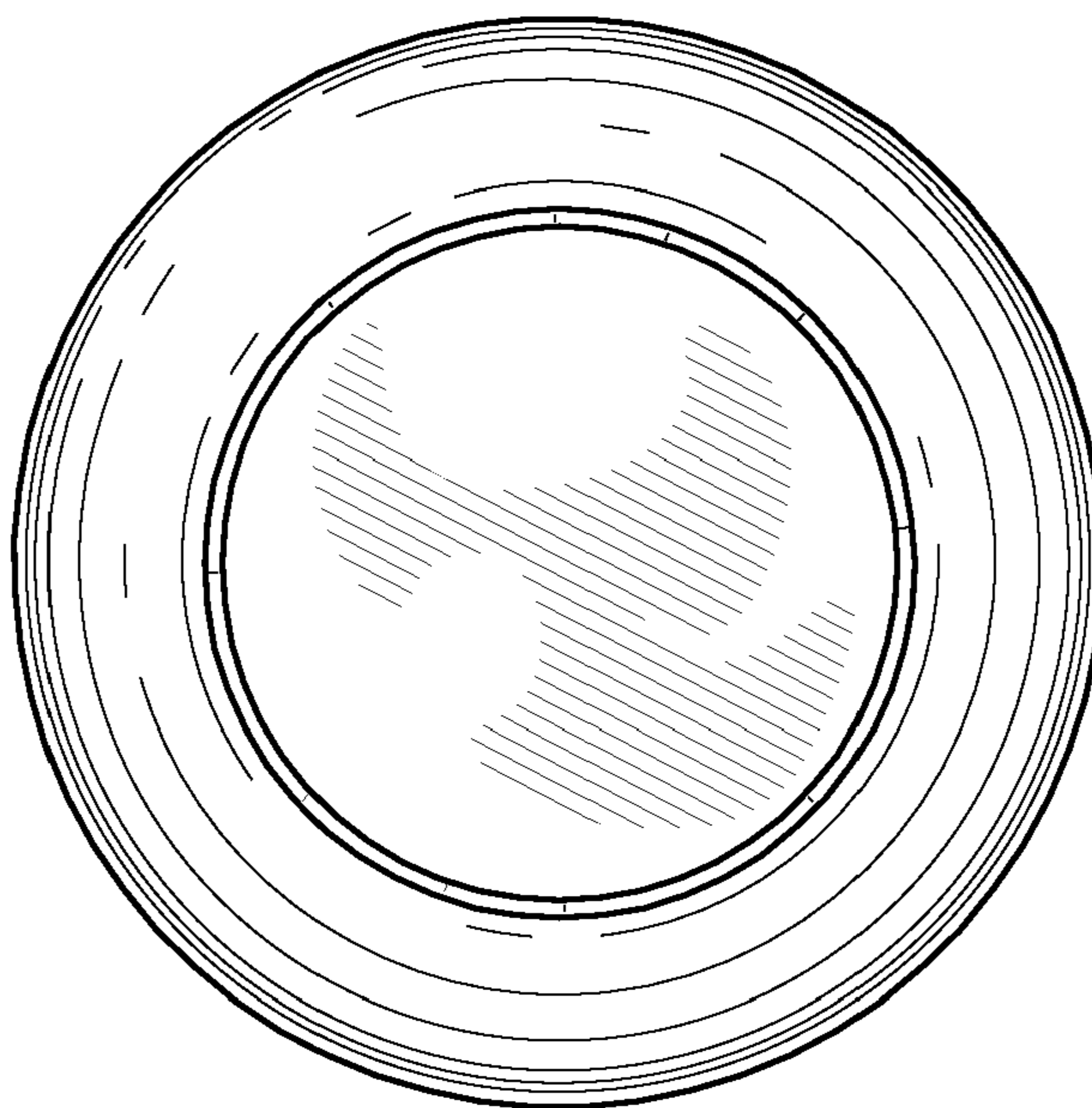


FIG. 2

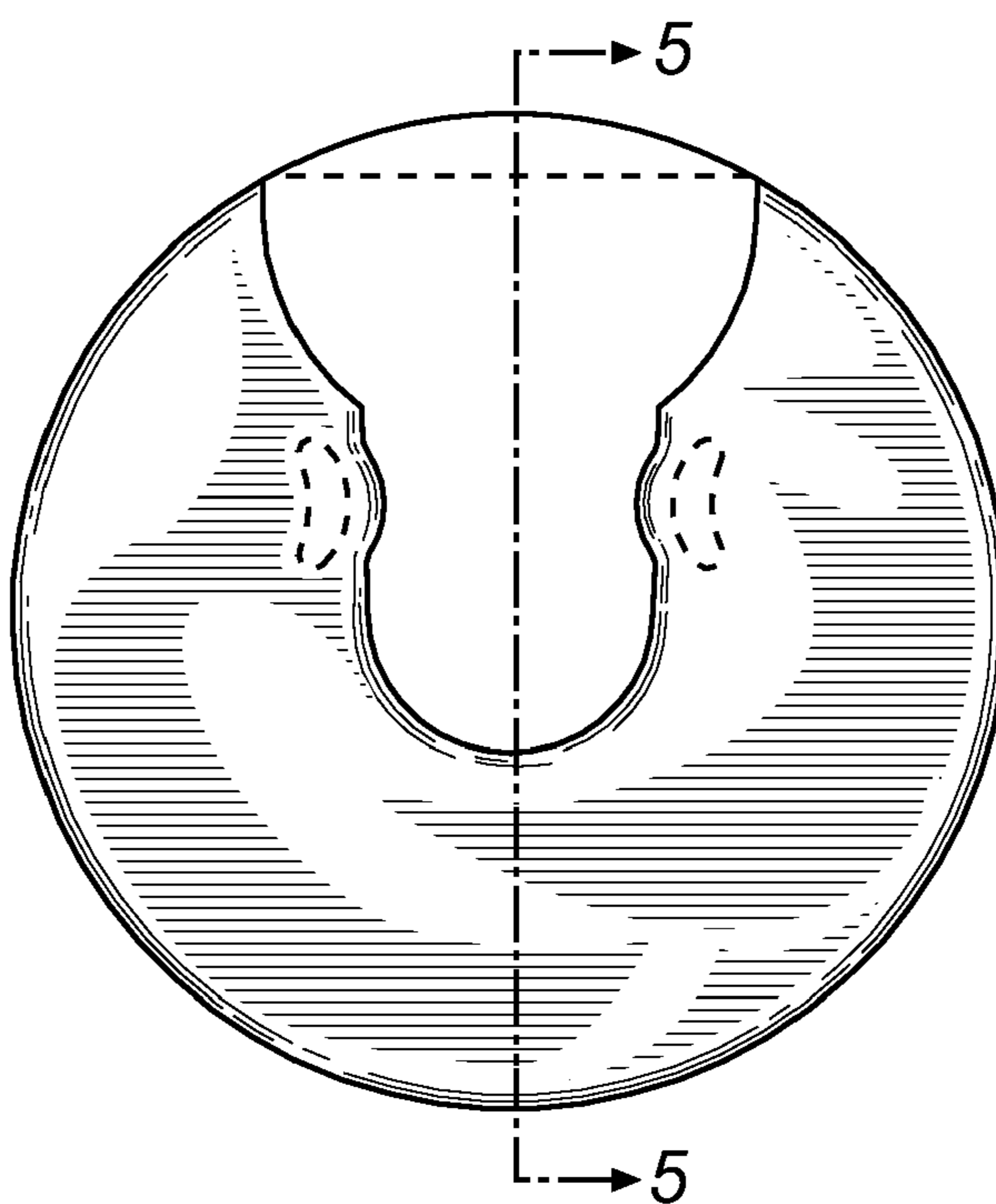


FIG. 3

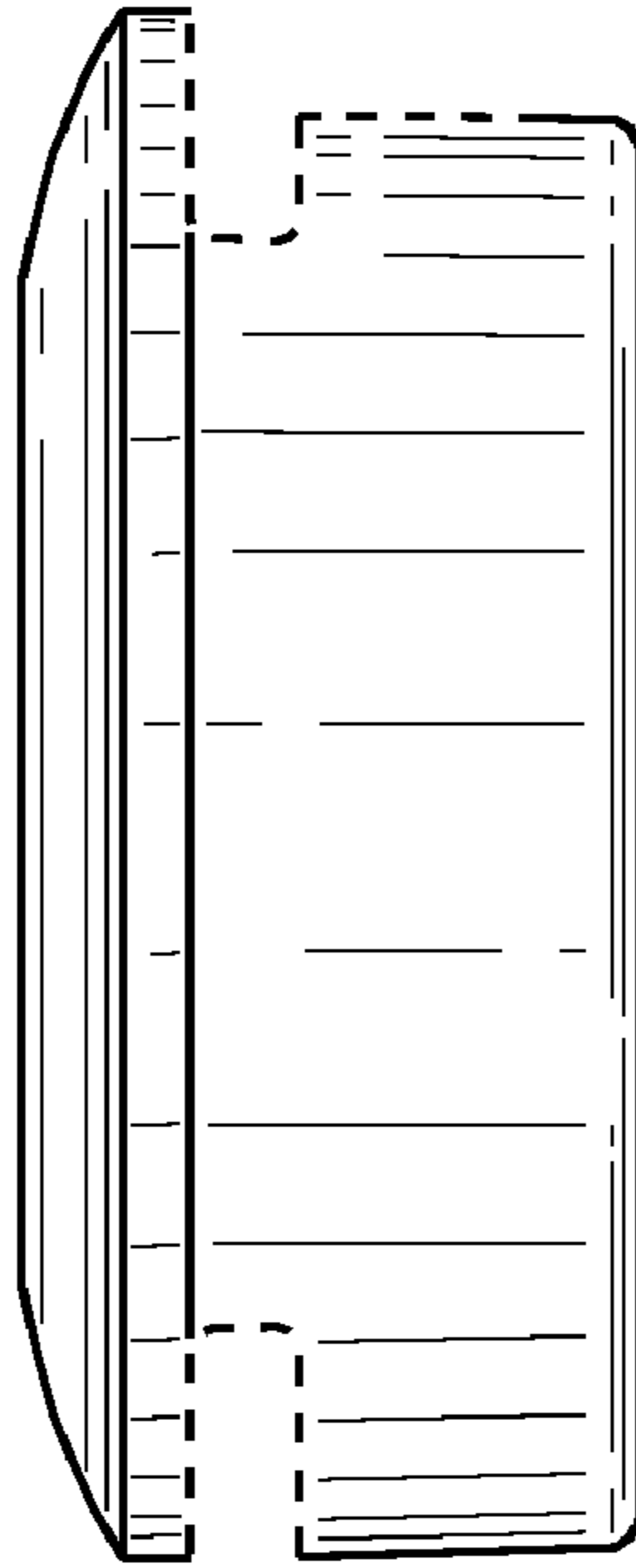


FIG. 4

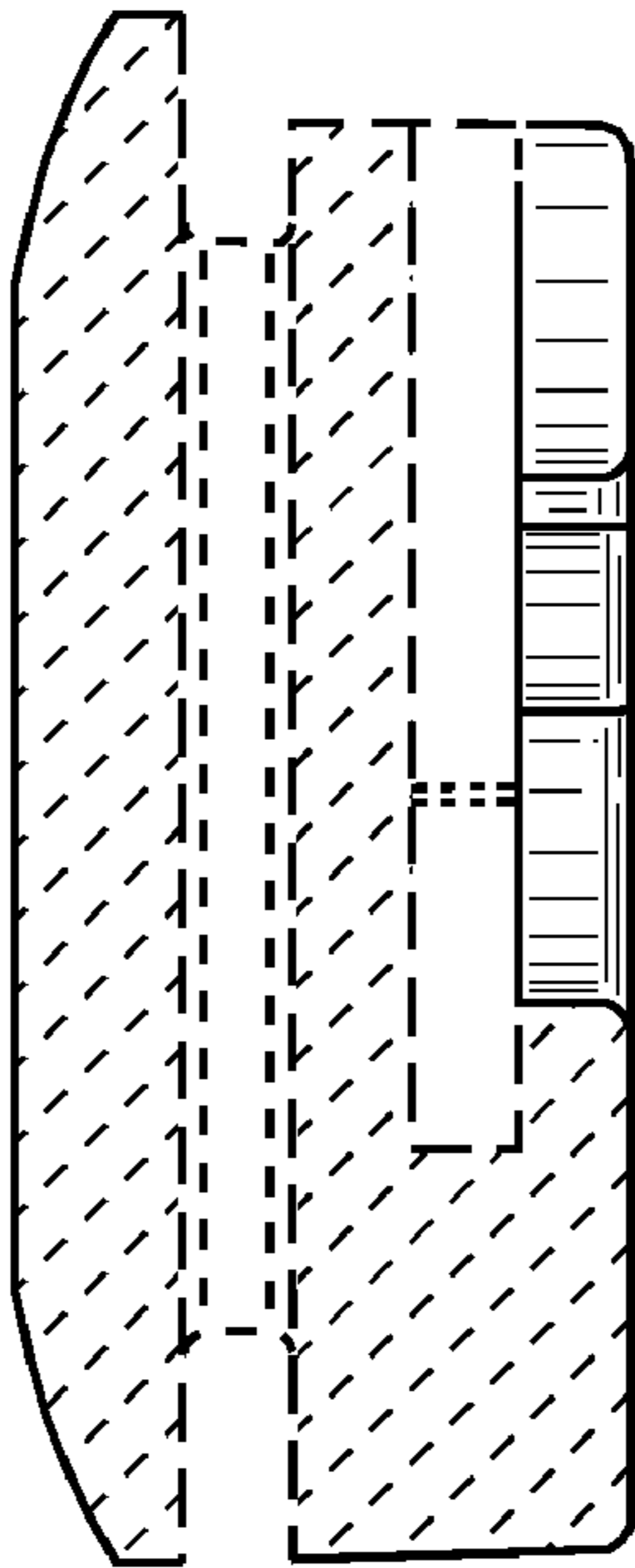


FIG. 5

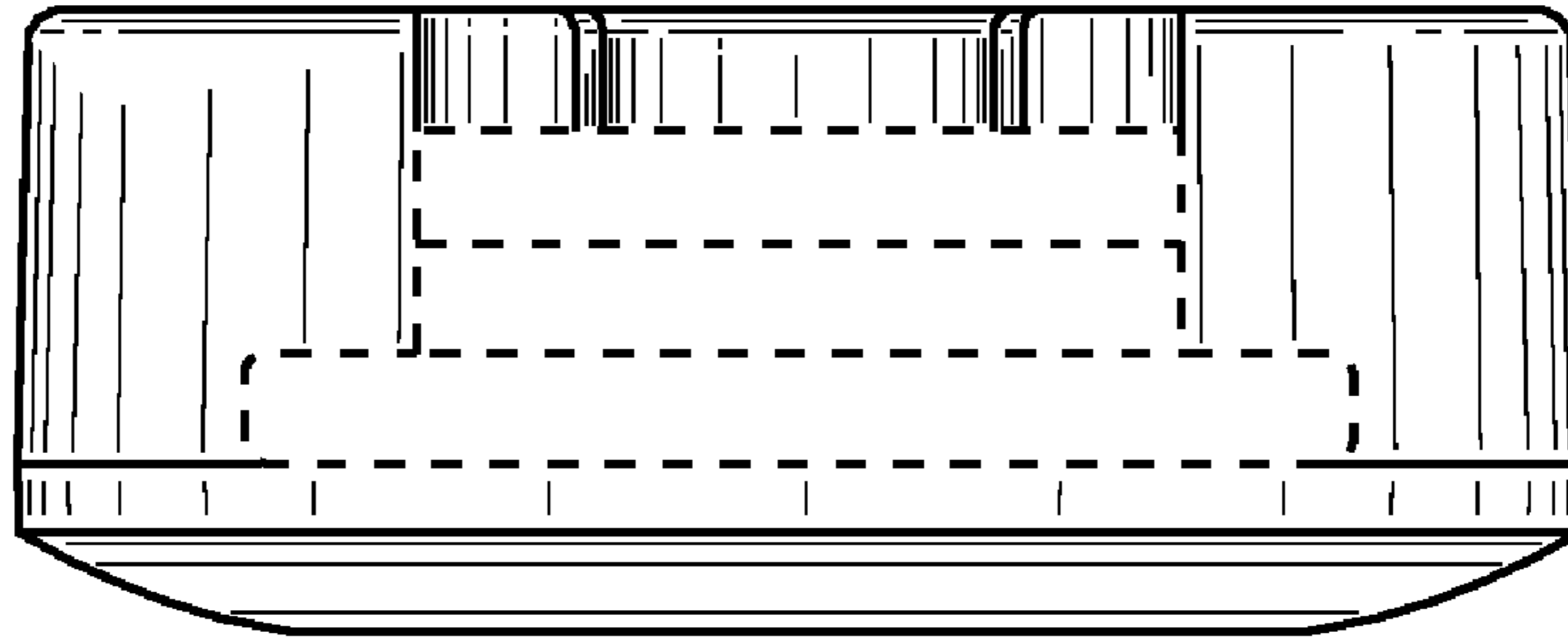


FIG. 6

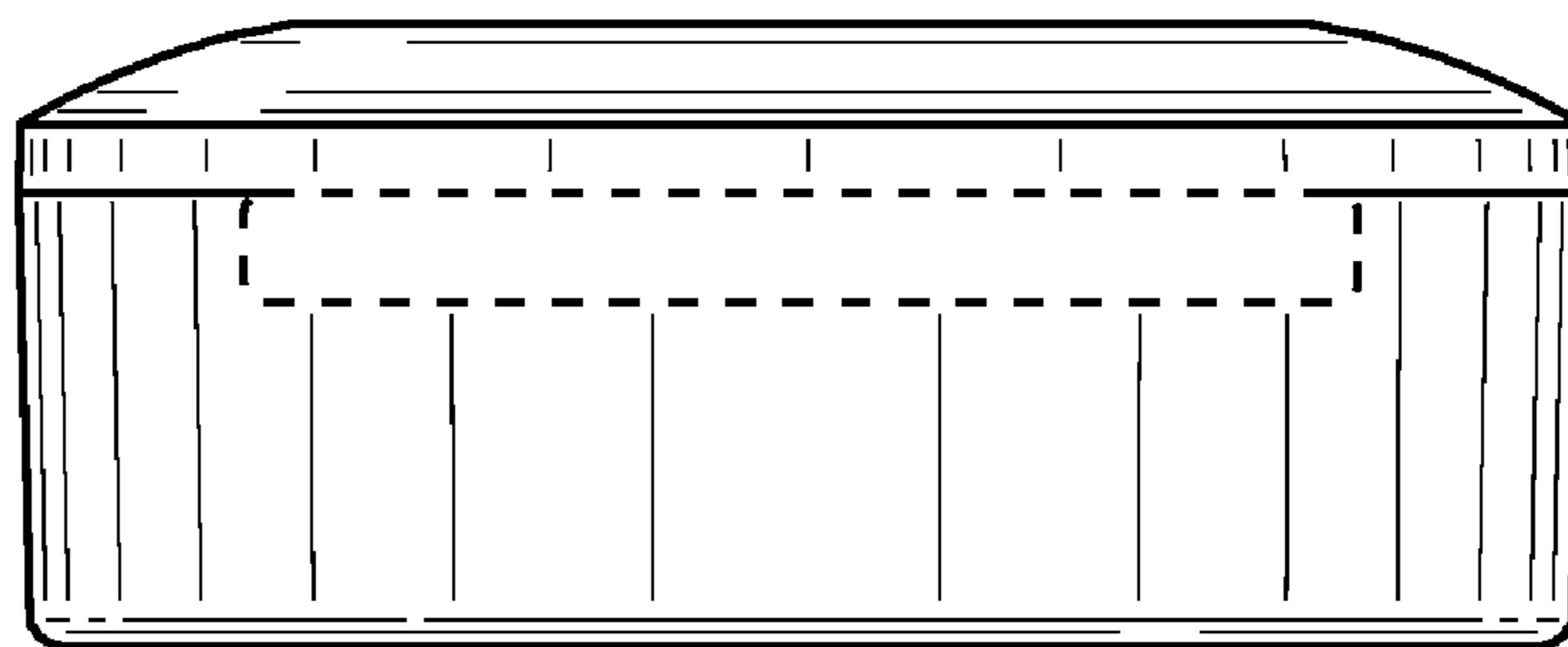


FIG. 7