



US00D607312S

(12) **United States Design Patent**  
**Silverman**

(10) **Patent No.:** **US D607,312 S**

(45) **Date of Patent:** **\*\* Jan. 5, 2010**

(54) **HOSE AND SPRAY BRACKET**

(76) Inventor: **Clifford J Silverman**, 1460 Guerin Rd.,  
Green Oaks, IL (US) 60048

(\*\*) Term: **14 Years**

(21) Appl. No.: **29/312,523**

(22) Filed: **Oct. 29, 2008**

(51) **LOC (9) Cl.** ..... **08-05**

(52) **U.S. Cl.** ..... **D8/373**

(58) **Field of Classification Search** ..... D8/349,  
D8/354, 356, 373; 248/310, 311.2, 311.3,  
248/313; 348/154, 505

See application file for complete search history.

(56) **References Cited**

**U.S. PATENT DOCUMENTS**

|           |     |         |              |       |          |
|-----------|-----|---------|--------------|-------|----------|
| 955,111   | A * | 4/1910  | White        | ..... | 52/696   |
| 3,362,667 | A * | 1/1968  | Ginsburg     | ..... | 248/27.1 |
| D235,619  | S * | 7/1975  | Ziaylek      | ..... | D8/373   |
| D248,026  | S * | 5/1978  | Gostomski    | ..... | D14/238  |
| D264,935  | S * | 6/1982  | Ziaylek, Jr. | ..... | D8/373   |
| D293,416  | S * | 12/1987 | Krueger      | ..... | D8/373   |
| D319,778  | S * | 9/1991  | Ziaylek, Jr. | ..... | D8/373   |
| D341,520  | S * | 11/1993 | LaBelle      | ..... | D7/601   |

|              |      |         |                |       |         |
|--------------|------|---------|----------------|-------|---------|
| D394,381     | S *  | 5/1998  | Ziaylek et al. | ..... | D8/354  |
| D482,261     | S *  | 11/2003 | Kobayashi      | ..... | D8/349  |
| 6,926,243    | B1 * | 8/2005  | Ziaylek et al. | ..... | 248/307 |
| D558,566     | S *  | 1/2008  | Ziaylek        | ..... | D8/373  |
| 2006/0157629 | A1 * | 7/2006  | Silverman      | ..... | 248/310 |

\* cited by examiner

*Primary Examiner*—Sandra Snapp

*Assistant Examiner*—Patricia Palasik

(74) *Attorney, Agent, or Firm*—Justin Campel

(57) **CLAIM**

The ornamental design for a hose and spray bracket, as shown and described.

**DESCRIPTION**

FIG. 1 is a front perspective view of a hose and spray bracket of the present invention;

FIG. 2 is a side view of the present invention;

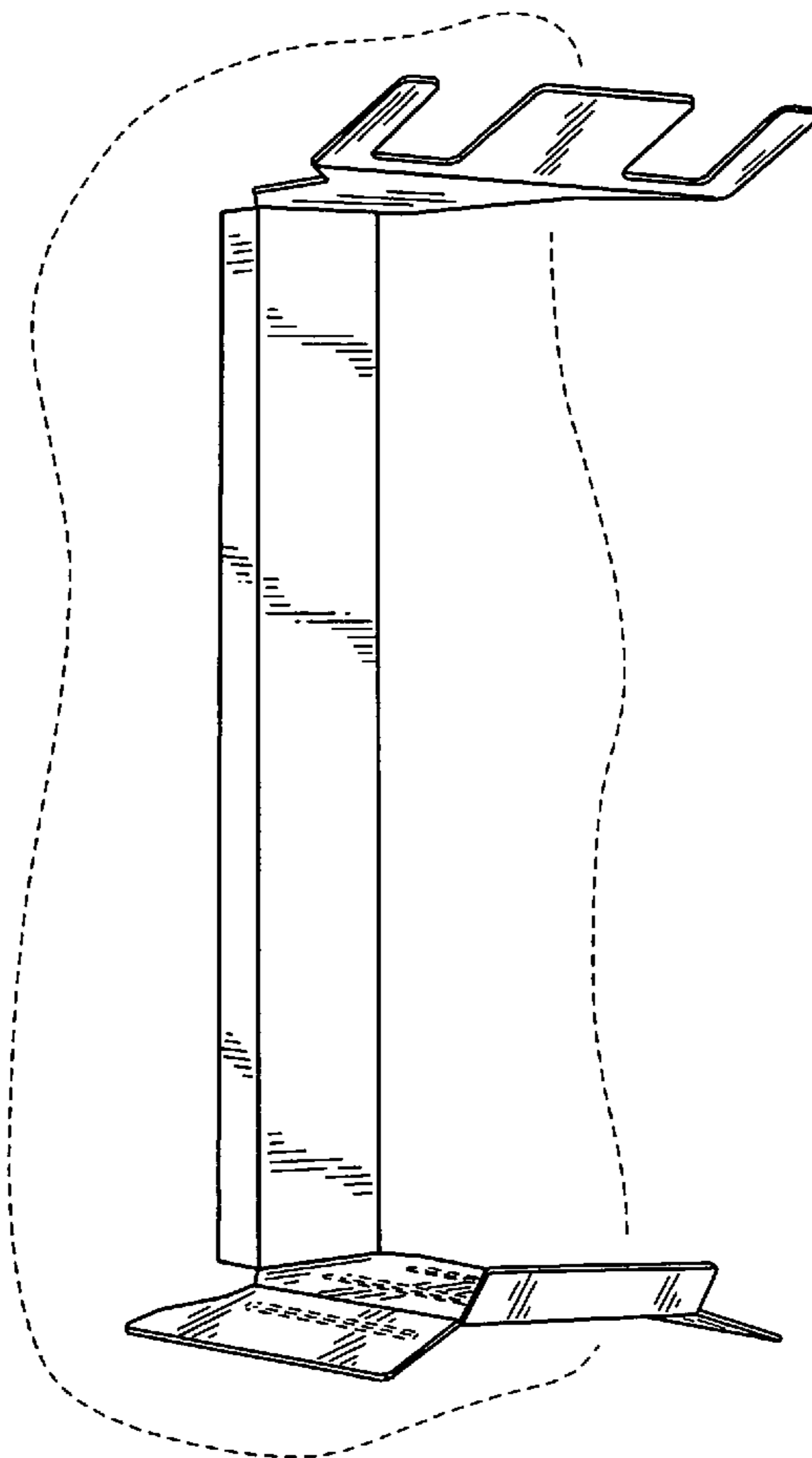
FIG. 3 is a front view of the present invention;

FIG. 4 is a top view of the present invention; and,

FIG. 5 is a bottom view of the present invention.

The broken line showing is for illustrative purposes only and forms no part of the claimed design.

**1 Claim, 3 Drawing Sheets**



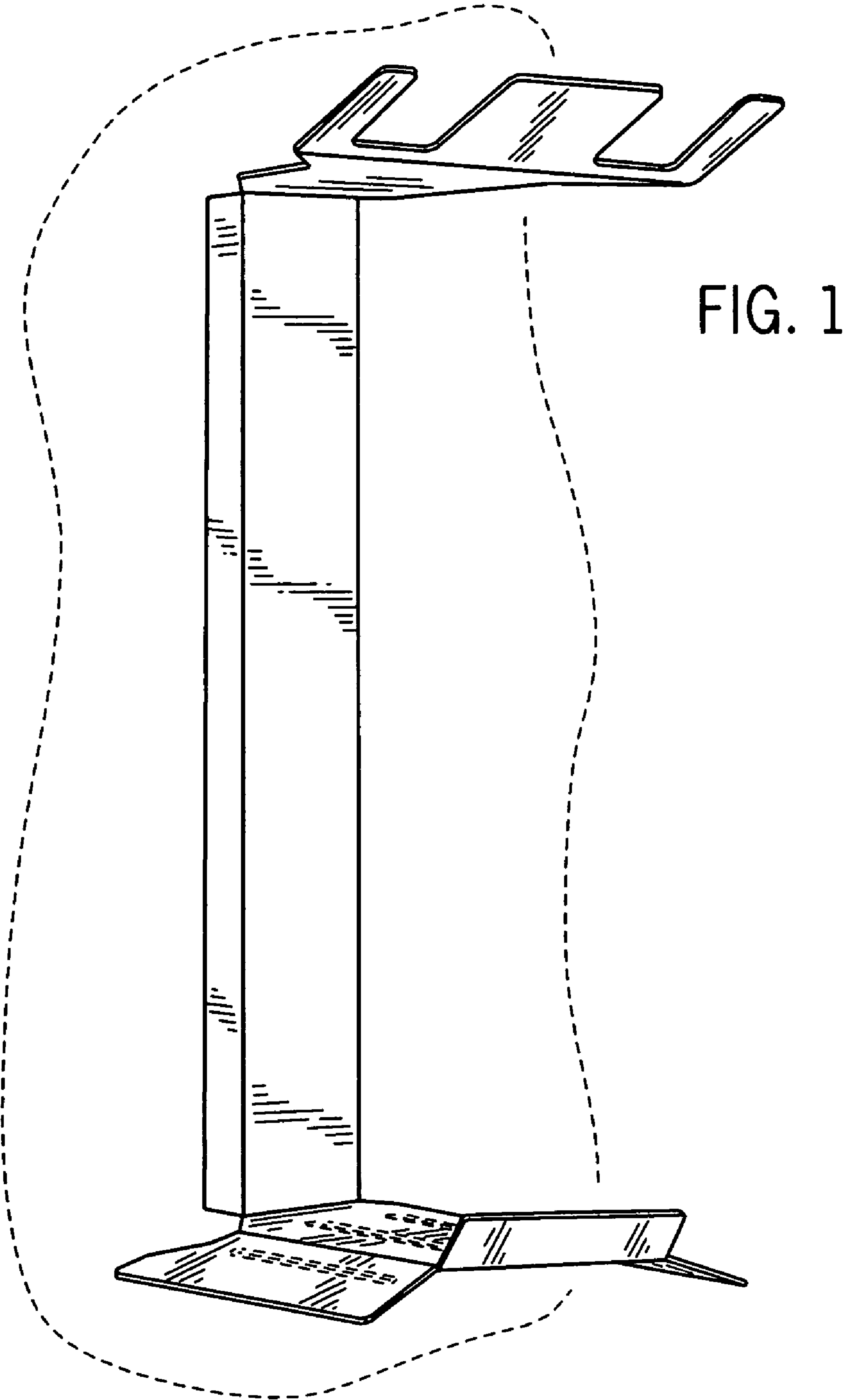


FIG. 2

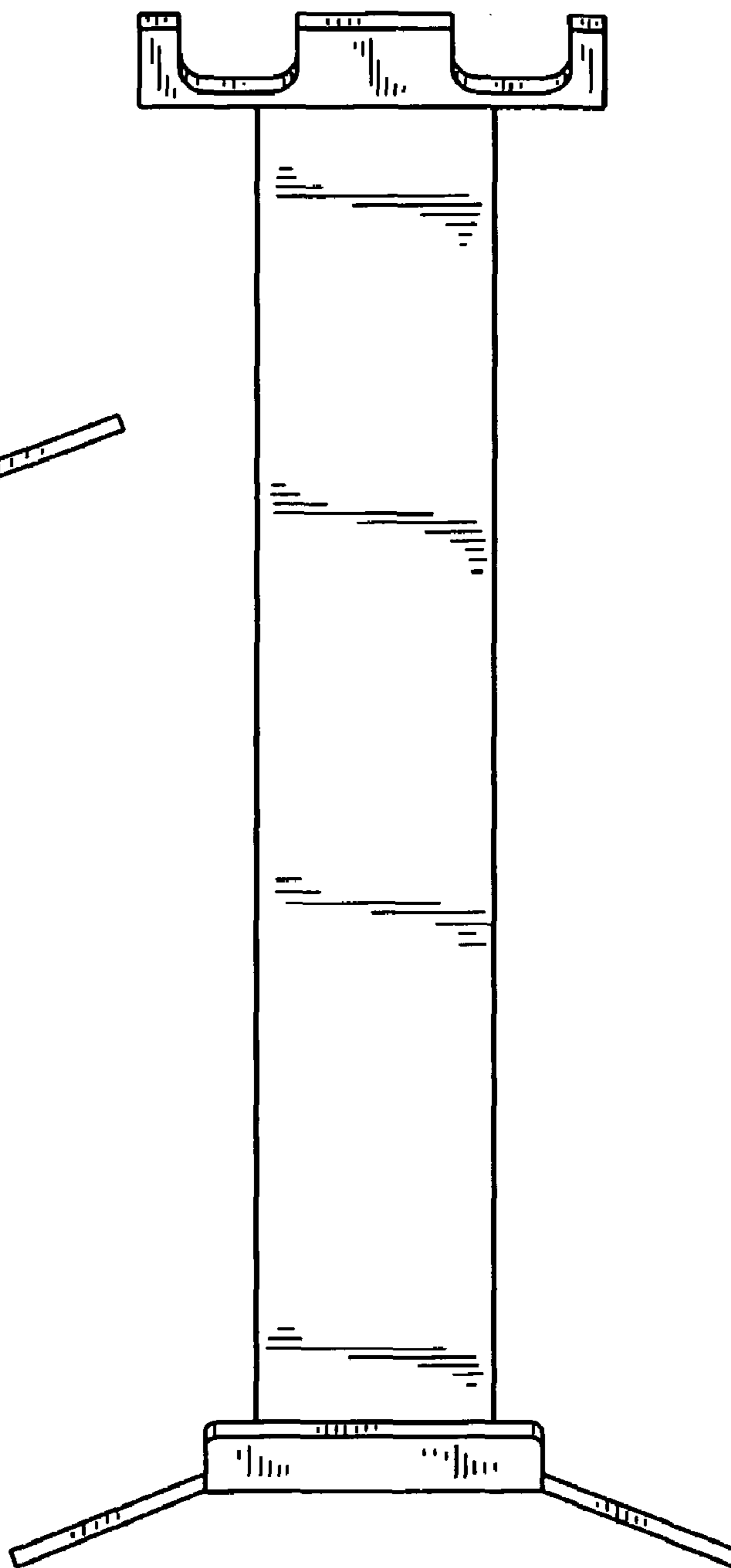
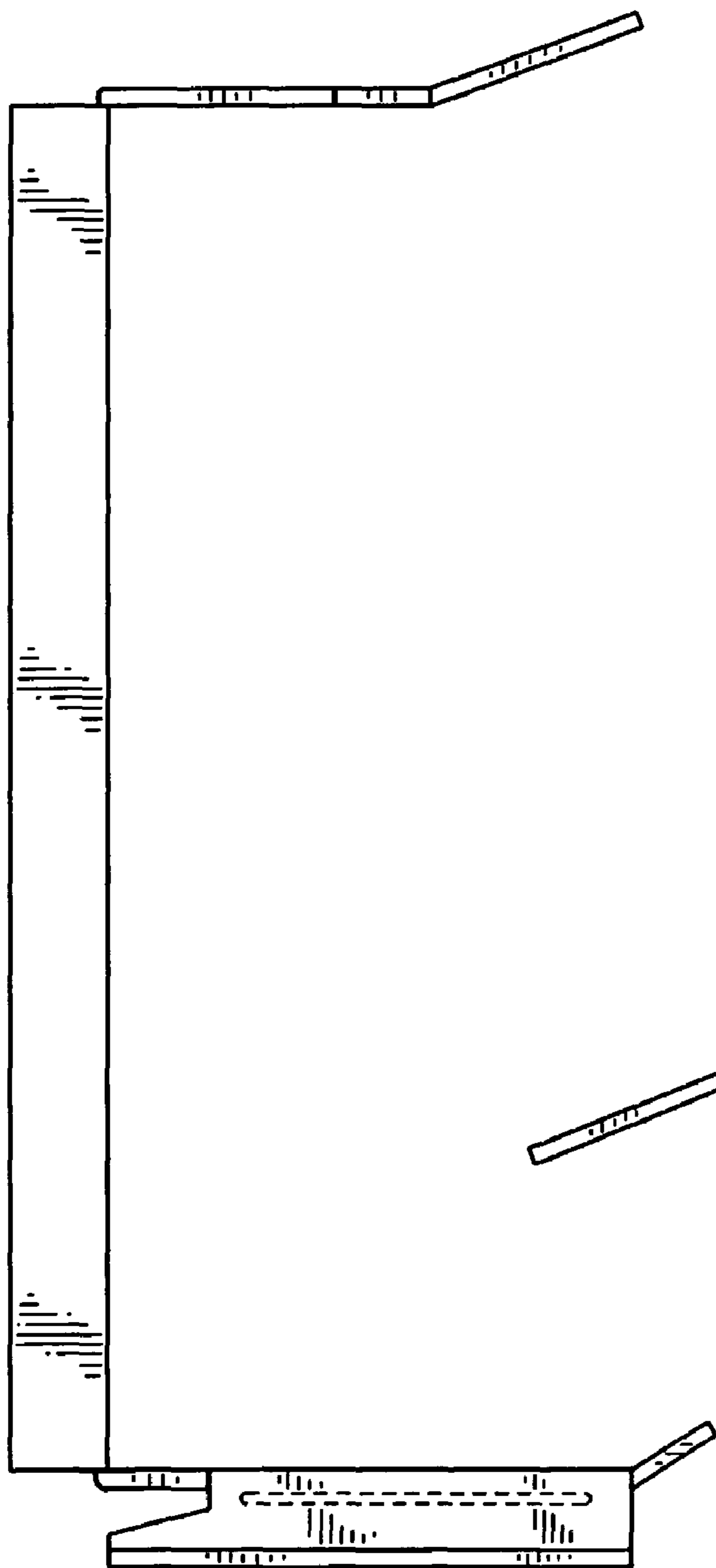


FIG. 3

FIG. 4

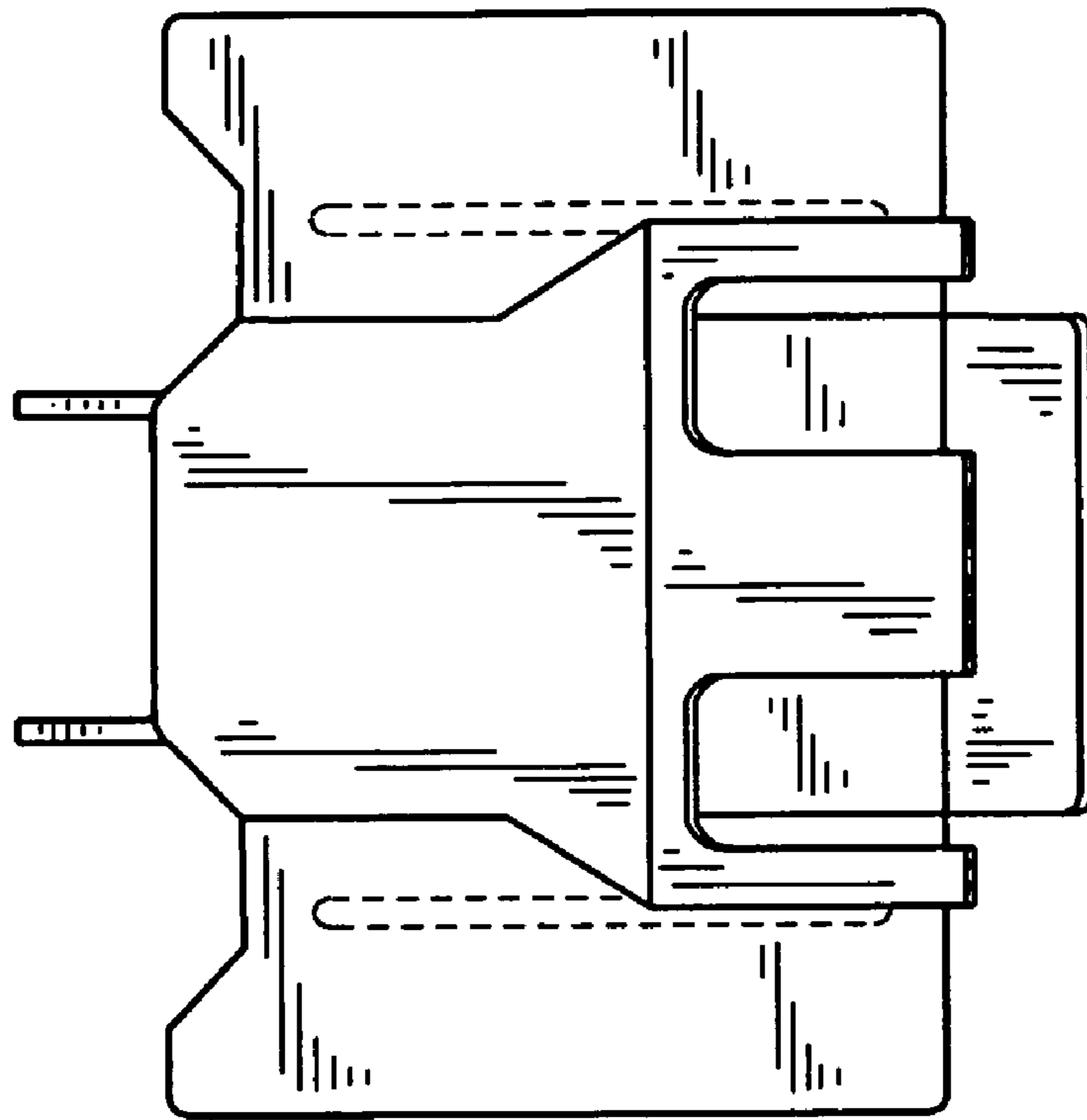


FIG. 5

