



US00D607311S

(12) **United States Design Patent**
Snider

(10) **Patent No.:** **US D607,311 S**
(45) **Date of Patent:** **** Jan. 5, 2010**

(54) **DOUBLE OVER-DOOR HOOK**

D493,094 S 7/2004 Goodman et al.
D507,961 S * 8/2005 Goodman et al. D8/367
D550,544 S * 9/2007 Snell D8/367

(75) Inventor: **Martin Snider**, New City, NY (US)

(73) Assignee: **MSA Products, Inc.**, Nyack, NY (US)

* cited by examiner

(**) Term: **14 Years**

Primary Examiner—Robert M Spear

Assistant Examiner—Barbara B Lohr

(21) Appl. No.: **29/333,390**

(74) *Attorney, Agent, or Firm*—Gerald E. Hespos; Anthony J. Casella

(22) Filed: **Mar. 9, 2009**

(57) **CLAIM**

(51) **LOC (9) Cl.** **08-05**

The ornamental design for a double over-door hook, as shown and described.

(52) **U.S. Cl.** **D8/367**

(58) **Field of Classification Search** D8/301,
D8/302, 367, 371, 373, 382, 395; D10/99;
248/74.2, 100, 201, 214, 215, 216.1, 218.1,
248/231, 231.91, 243, 301, 302, 303, 304,
248/309.1, 322, 339, 340, 467, 493, 496,
248/497, 498, 547; 16/413; 24/265 H, 563,
24/907; 211/13.1, 60.1, 65, 66, 87.01; 404/134;
D19/34.1, 91; D6/323

DESCRIPTION

See application file for complete search history.

FIG. 1 is a perspective view of a double over-door hook in accordance with my design;

FIG. 2 is a top plan view thereof;

FIG. 3 is a front elevational view thereof;

FIG. 4 is a right side elevational view thereof, with the left side elevational view being substantially identical;

FIG. 5 is a rear elevational view thereof; and,

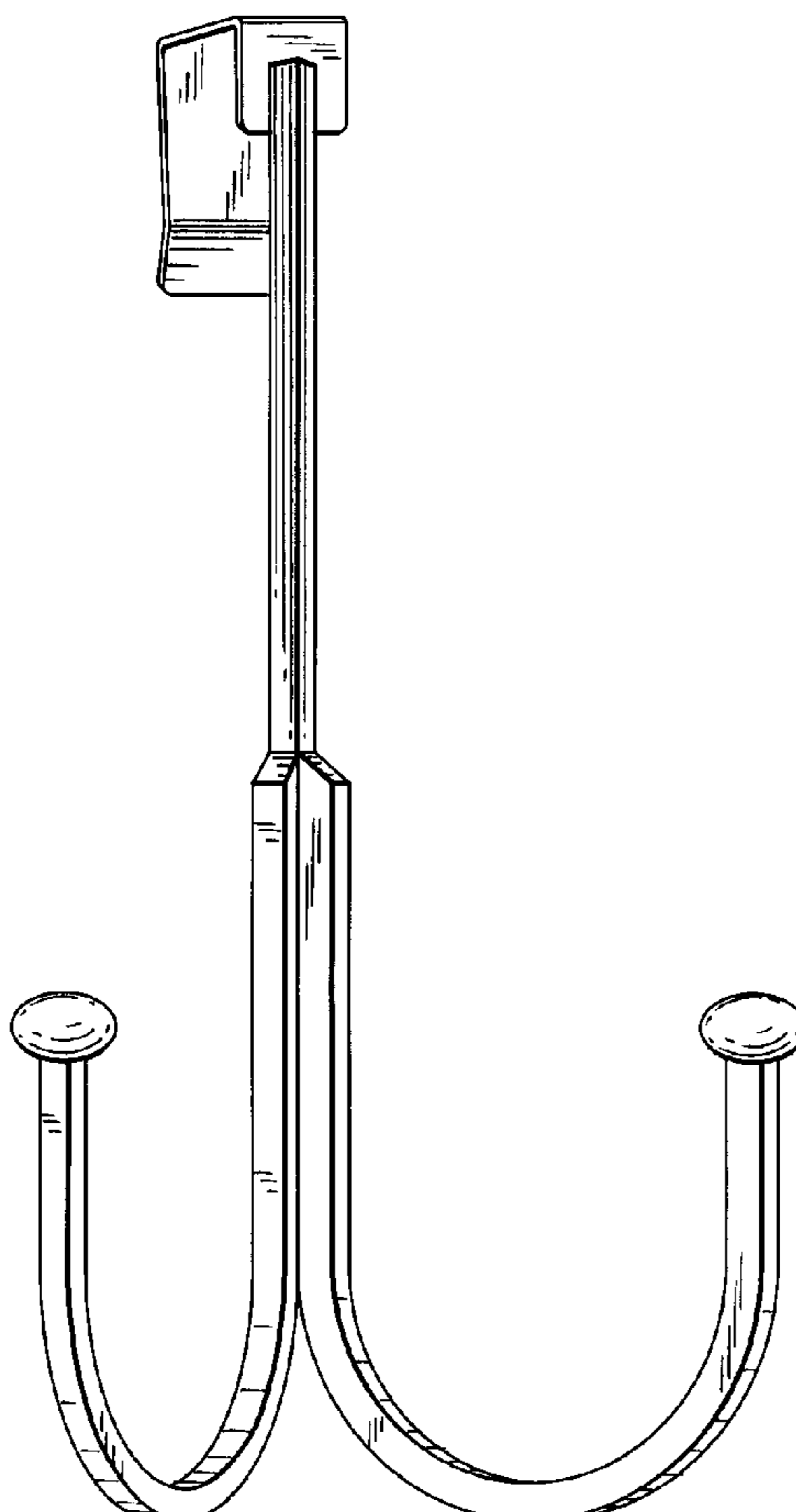
FIG. 6 is a bottom plan view thereof.

(56) **References Cited**

U.S. PATENT DOCUMENTS

D456,695 S * 5/2002 Goodman et al. D8/367
D473,451 S * 4/2003 Goodman et al. D8/367

1 Claim, 4 Drawing Sheets



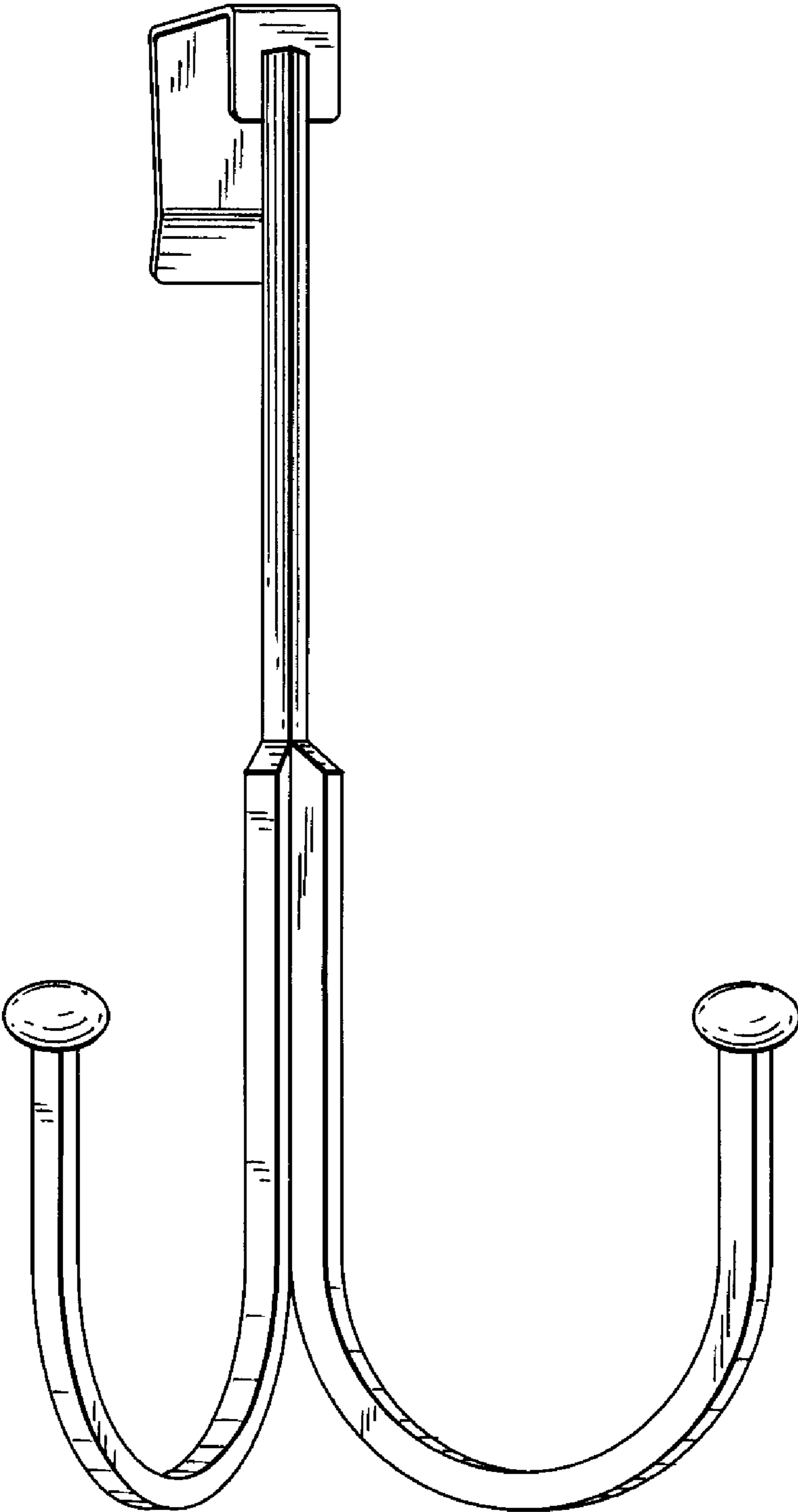


FIG. 1

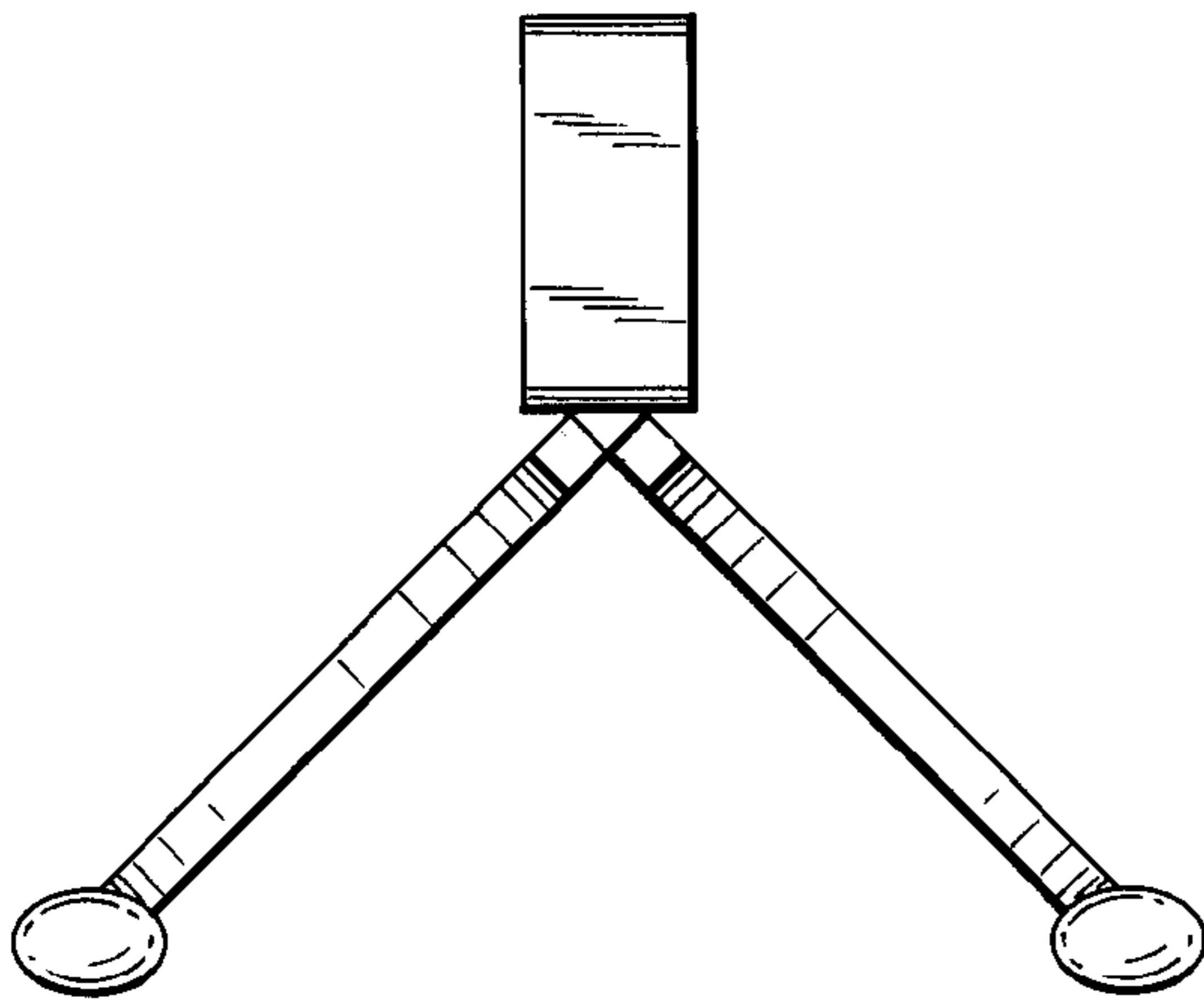


FIG. 2

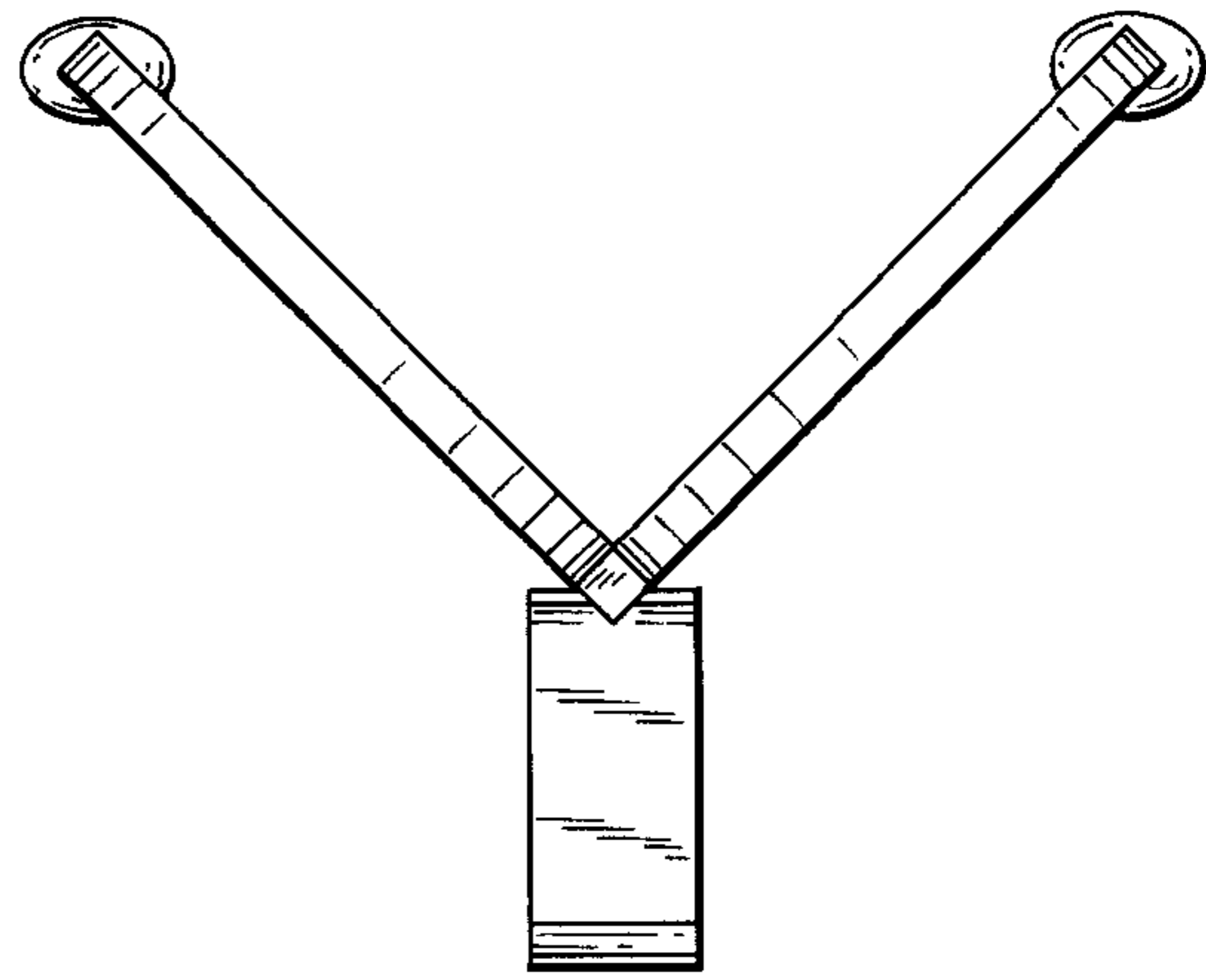


FIG. 6

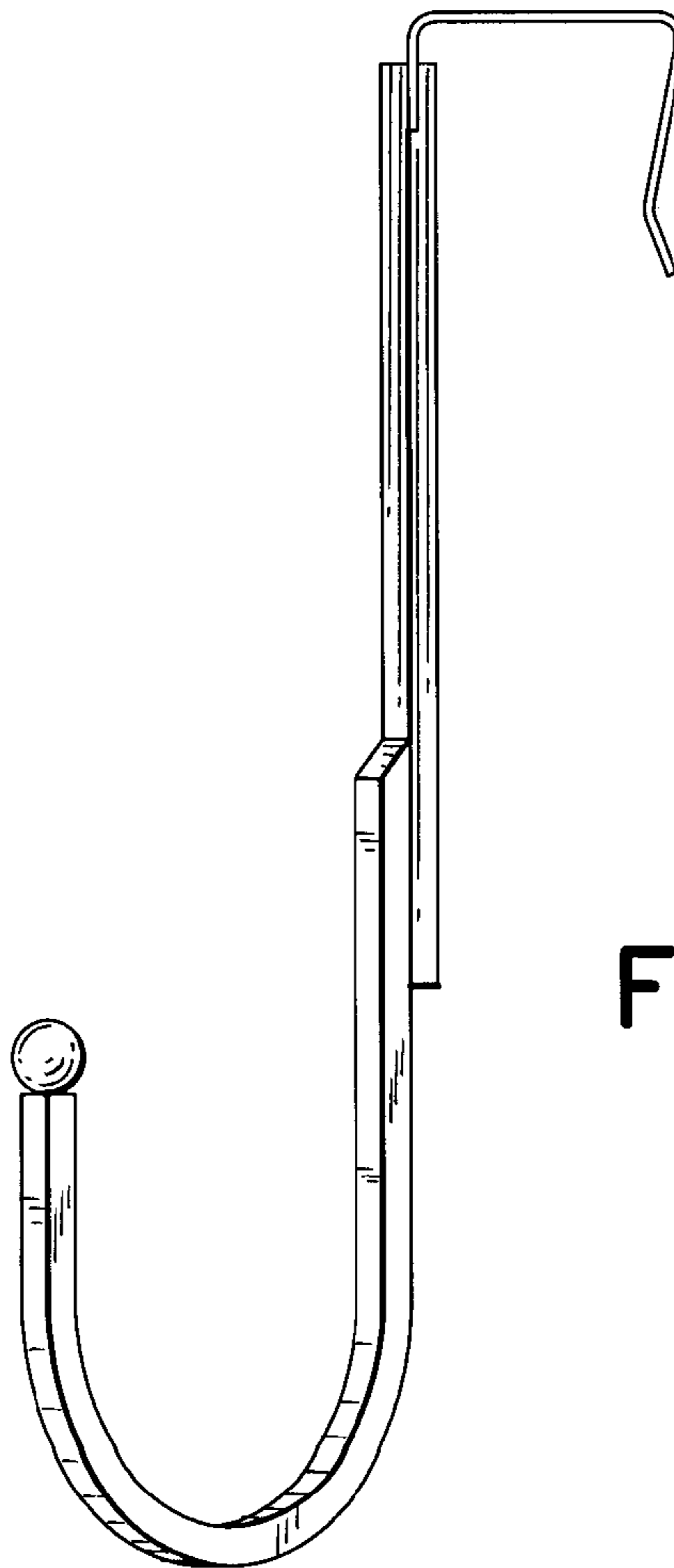


FIG. 4

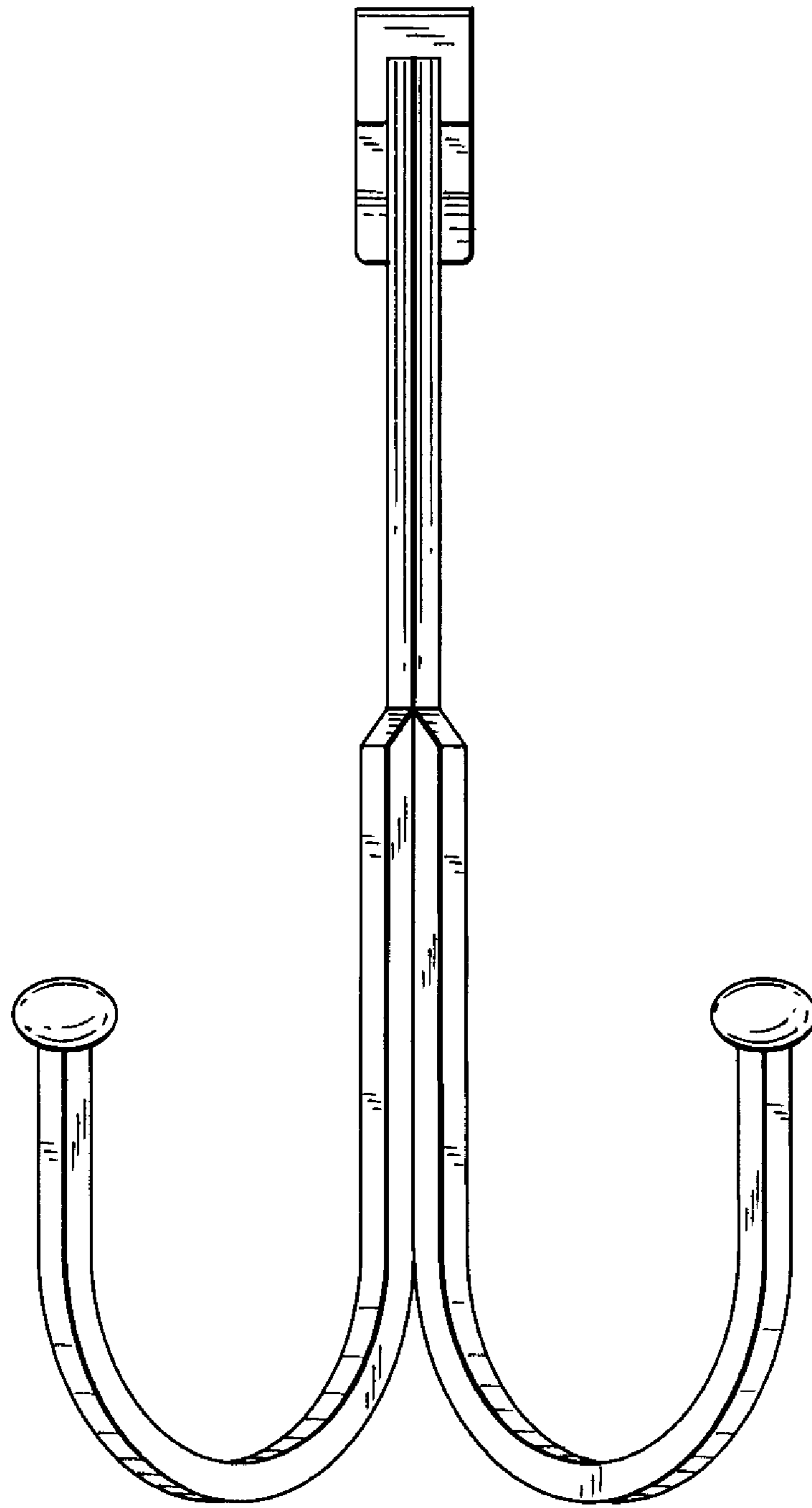


FIG. 3

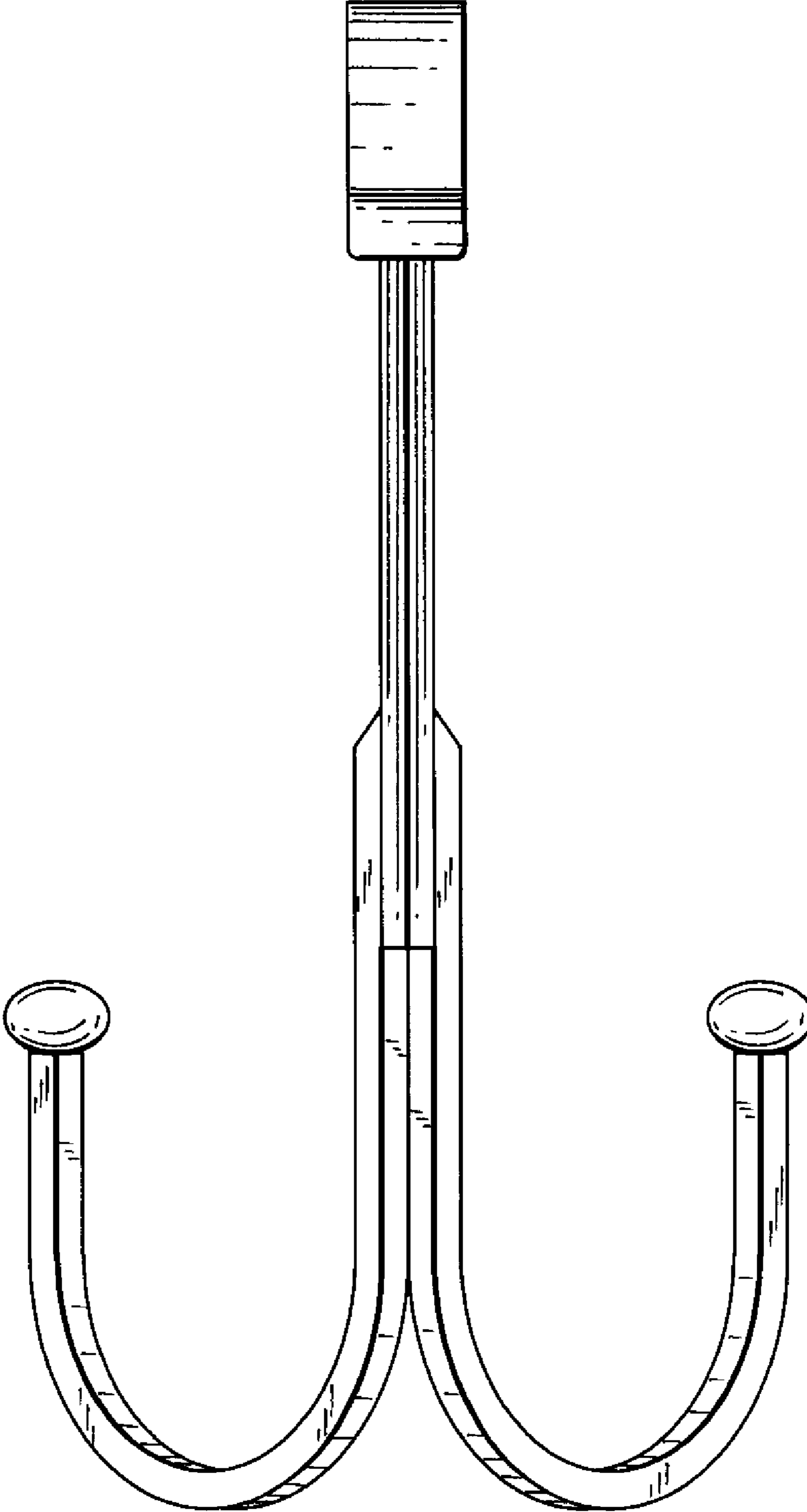


FIG. 5