



US00D607308S

(12) **United States Design Patent**  
**Moon**

(10) **Patent No.:** **US D607,308 S**

(45) **Date of Patent:** **\*\* Jan. 5, 2010**

(54) **HOSE HANGER**

(75) Inventor: **Brian Moon**, Sycamore, IL (US)

(73) Assignee: **Suncast Technologies, LLC**, Palm Beach Gardens, FL (US)

(\*\*) Term: **14 Years**

(21) Appl. No.: **29/297,279**

(22) Filed: **Nov. 8, 2007**

(51) **LOC (9) Cl.** ..... **08-08**

(52) **U.S. Cl.** ..... **D8/356**

(58) **Field of Classification Search** ..... D8/105,  
D8/107, 333, 349, 356, 358, 357, 373, 383;  
D23/345, 404, 405; 24/573.11, 579.09, 579.11,  
24/592.11, 599.1, 599.9, 600.1; 248/51,  
248/117.7

See application file for complete search history.

(56) **References Cited**

**U.S. PATENT DOCUMENTS**

|           |    |   |         |                   |       |           |
|-----------|----|---|---------|-------------------|-------|-----------|
| D300,779  | S  | * | 4/1989  | Smith             | ..... | D23/404   |
| D311,574  | S  | * | 10/1990 | Syme et al.       | ..... | D23/345   |
| 5,699,987 | A  | * | 12/1997 | Romaneschi et al. | ..... | 248/89    |
| D408,270  | S  | * | 4/1999  | Tisbo et al.      | ..... | D8/356    |
| 6,059,215 | A  | * | 5/2000  | Finnis            | ..... | 242/400.1 |
| D462,254  | S  | * | 9/2002  | Wright et al.     | ..... | D8/356    |
| 6,488,240 | B1 | * | 12/2002 | Brooker et al.    | ..... | 248/89    |
| D474,396  | S  | * | 5/2003  | Tisbo et al.      | ..... | D8/356    |
| 6,742,740 | B2 | * | 6/2004  | Tisbo et al.      | ..... | 242/395   |

|              |    |   |         |                 |       |         |
|--------------|----|---|---------|-----------------|-------|---------|
| D571,190     | S  | * | 6/2008  | Spadotto        | ..... | D8/356  |
| 7,438,250    | B2 | * | 10/2008 | Anderson et al. | ..... | 242/395 |
| 2002/0074462 | A1 | * | 6/2002  | Pontecorvo      | ..... | 248/89  |

\* cited by examiner

*Primary Examiner*—Robert M Spear

*Assistant Examiner*—Karen Acker

(74) *Attorney, Agent, or Firm*—McHale & Slavin, P.A.

(57) **CLAIM**

The ornamental design for a hose hanger, as shown and described.

**DESCRIPTION**

FIG. 1 is a front perspective view of the hose hanger of the instant invention;

FIG. 2 is a front perspective view thereof;

FIG. 3 is a front view thereof;

FIG. 4 is a rear view thereof;

FIG. 5 is a left side view thereof;

FIG. 6 is a right side view thereof;

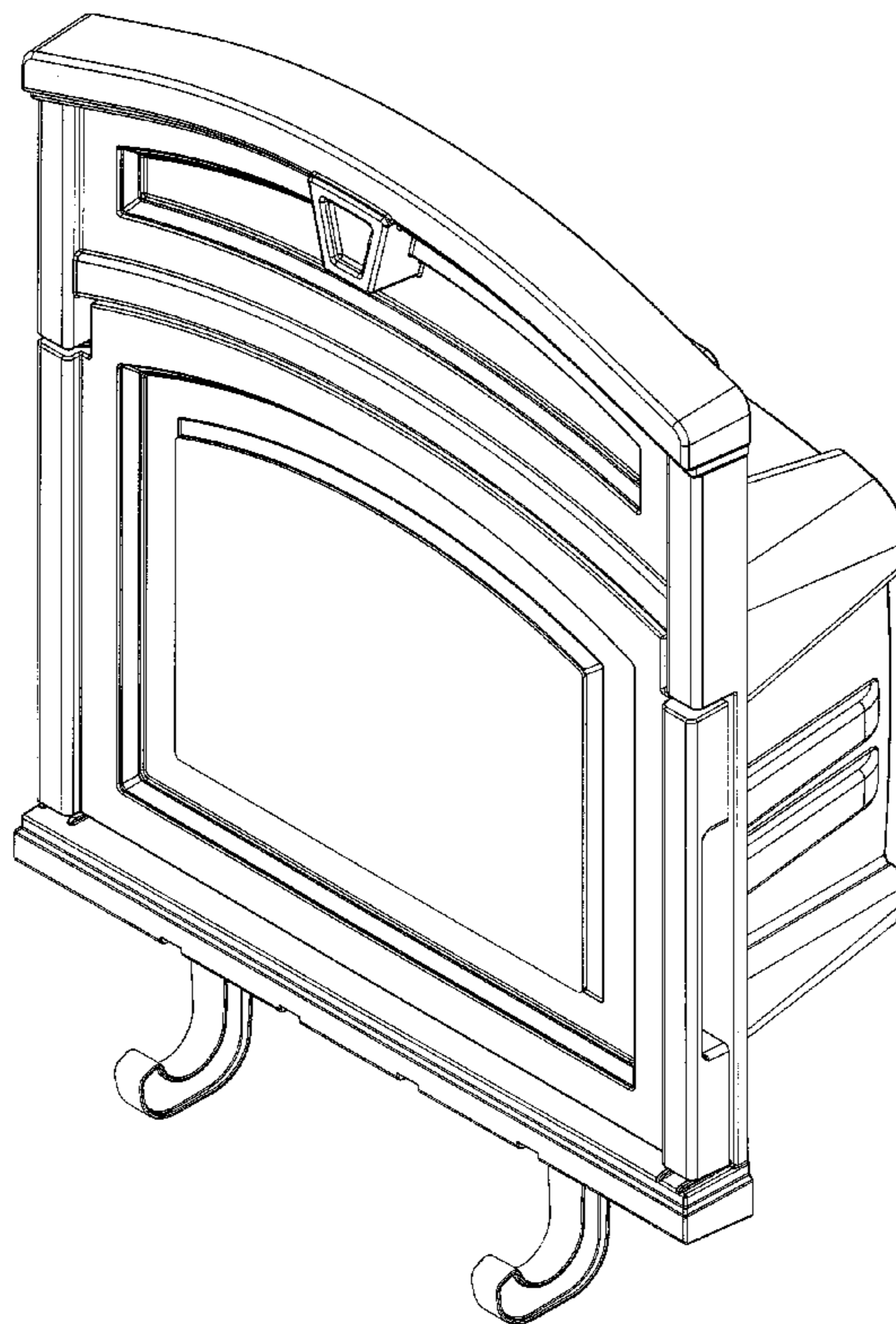
FIG. 7 is a top view thereof;

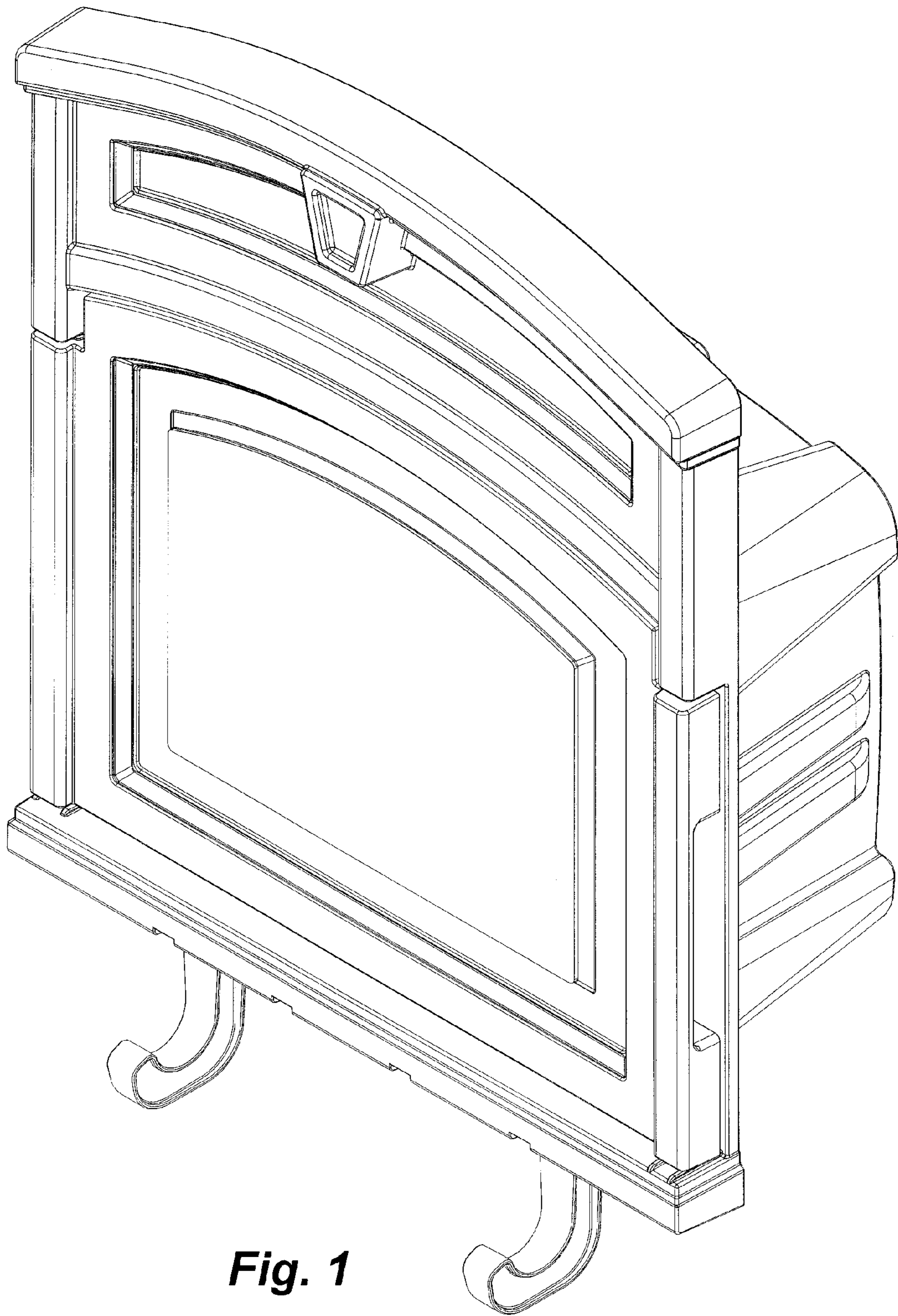
FIG. 8 is a bottom view thereof; and,

FIG. 9 is an exploded view thereof;

The broken lines in the drawings represent unclaimed environmental subject matter.

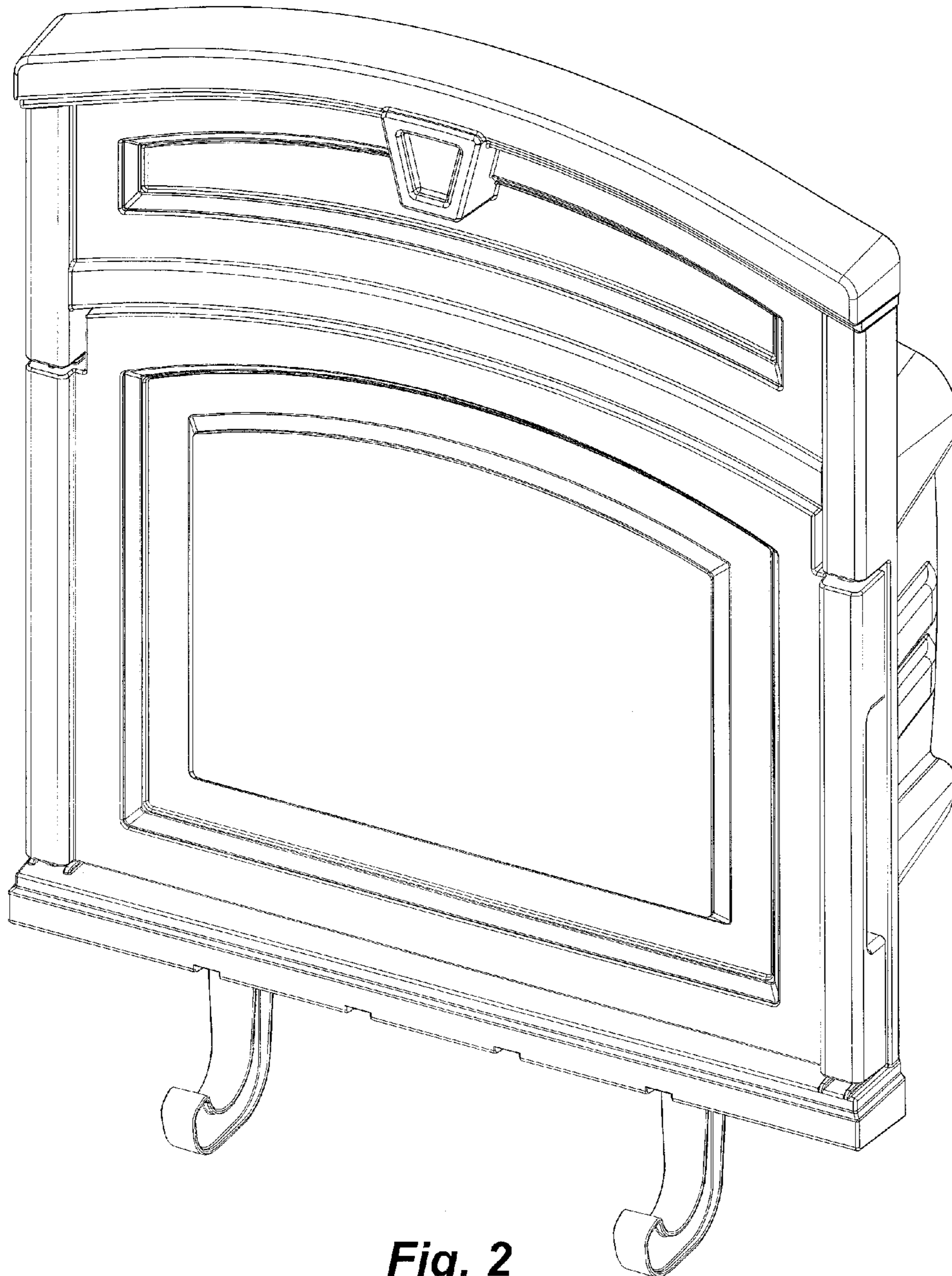
**1 Claim, 8 Drawing Sheets**



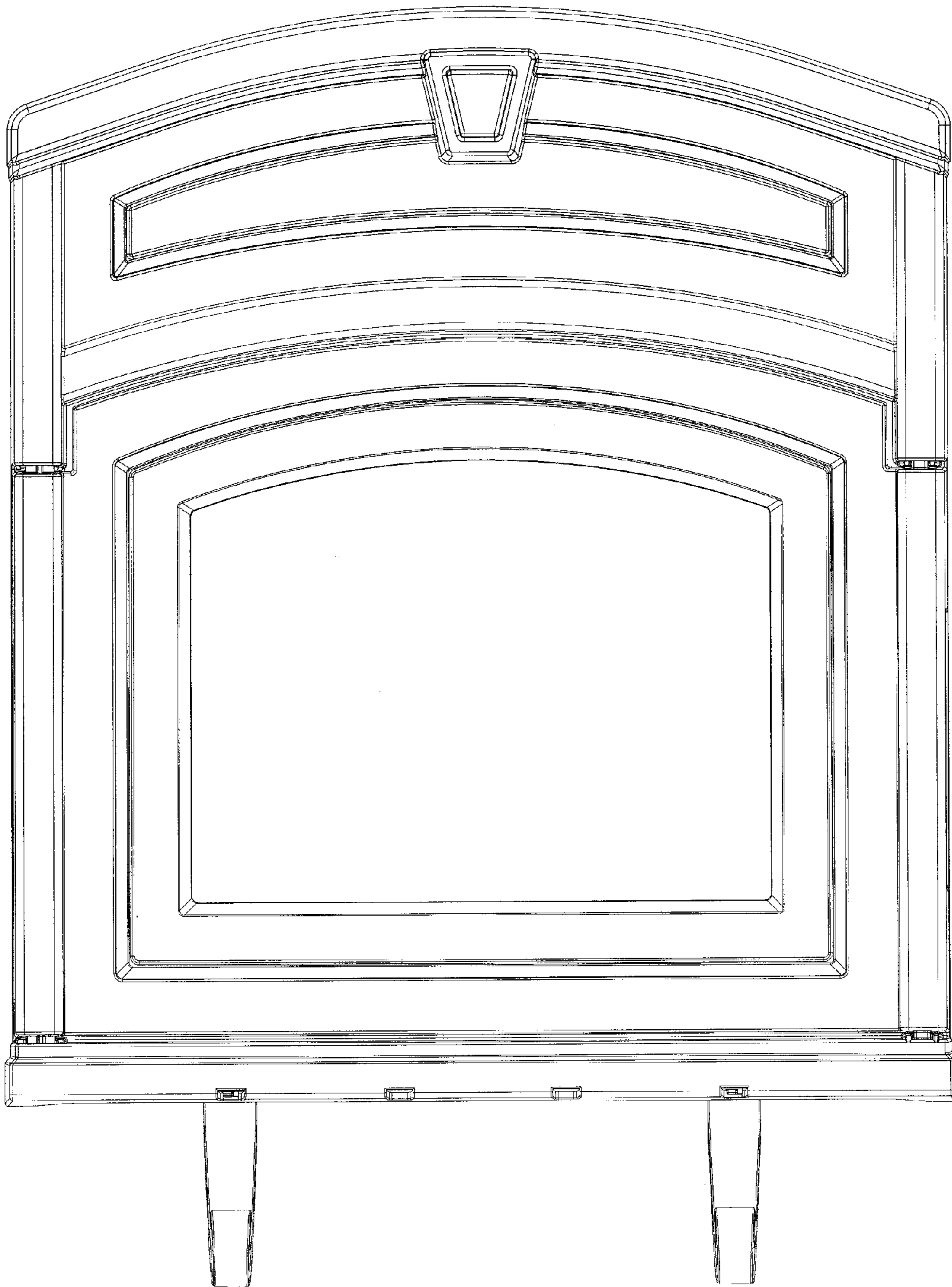


**Fig. 1**

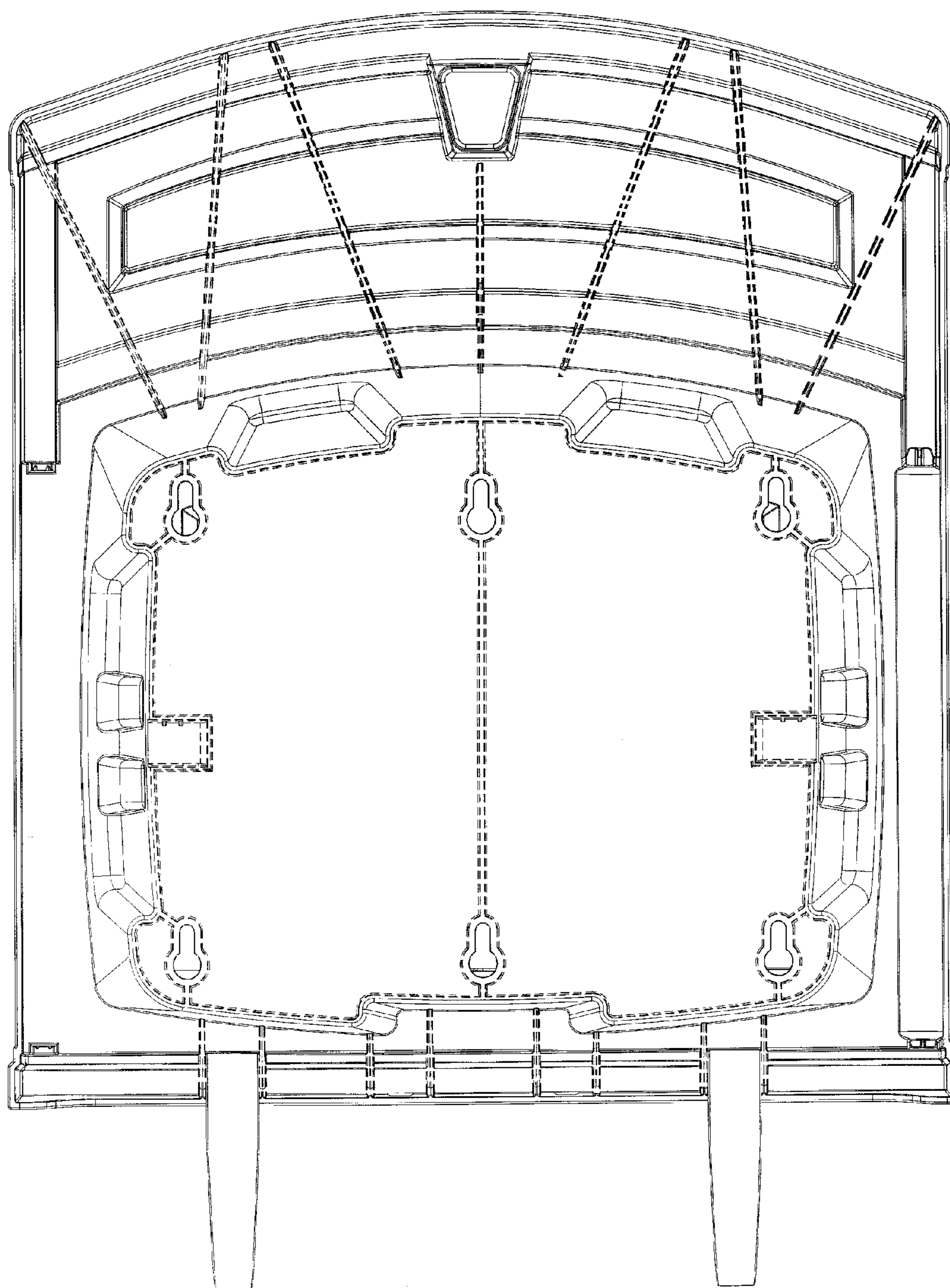




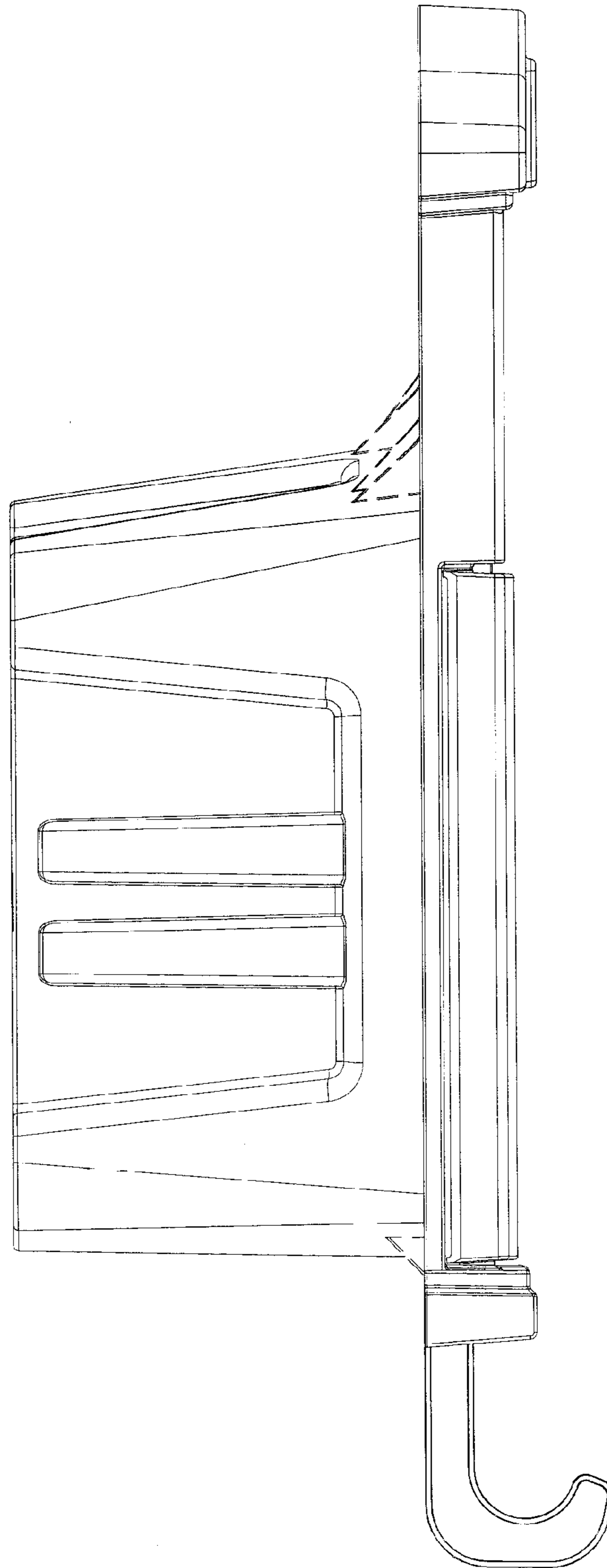
**Fig. 2**



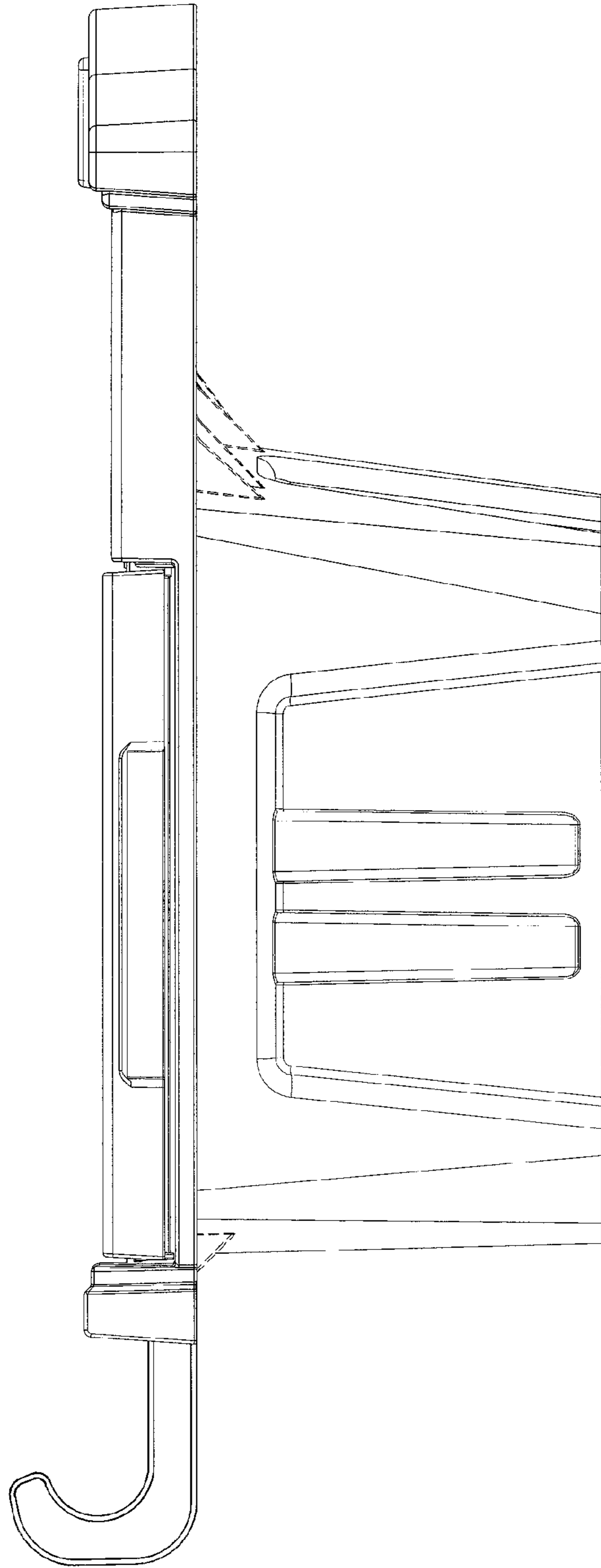
**Fig. 3**



**Fig. 4**

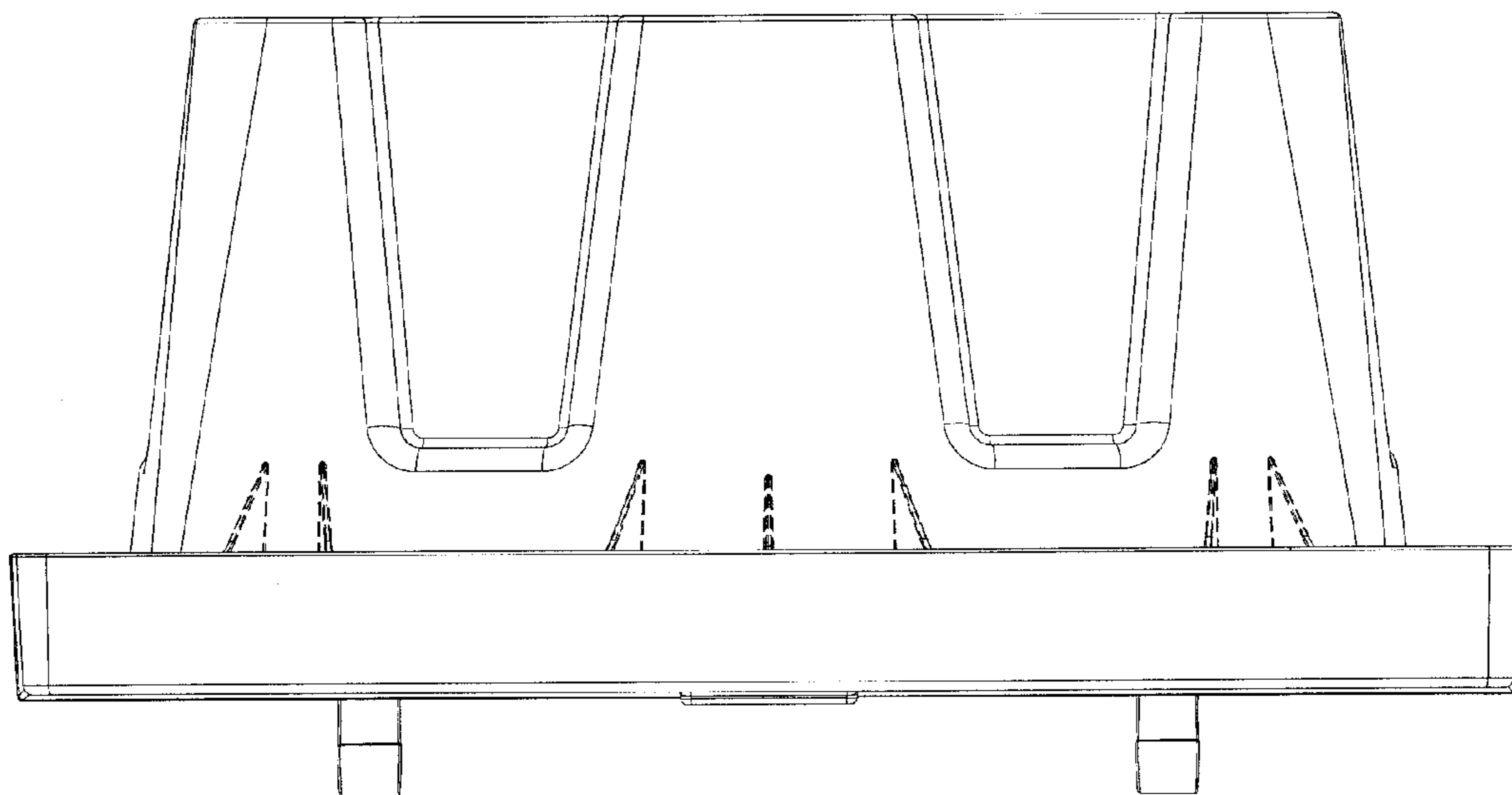


**Fig. 5**

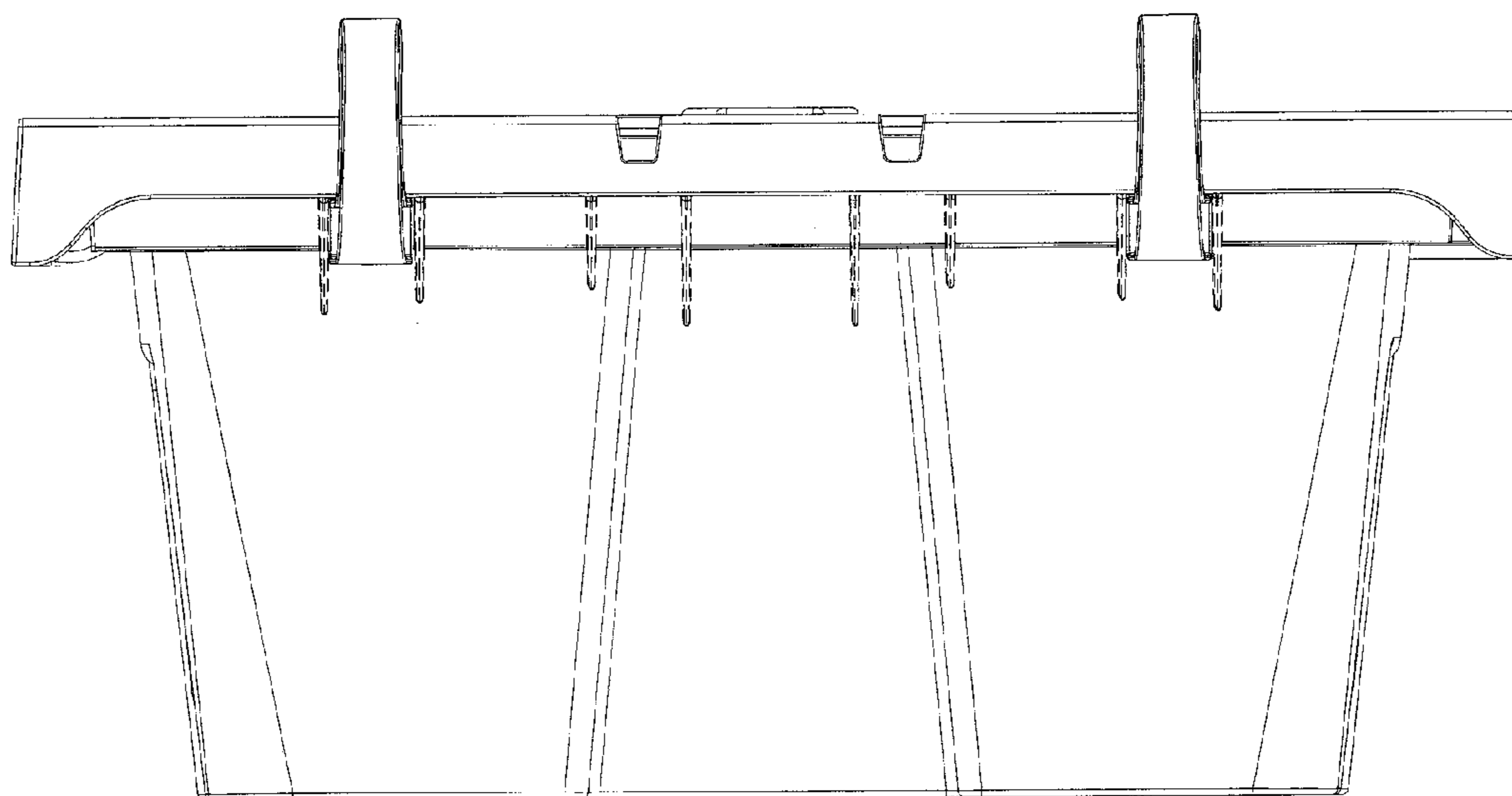


**Fig. 6**





**Fig. 7**



**Fig. 8**



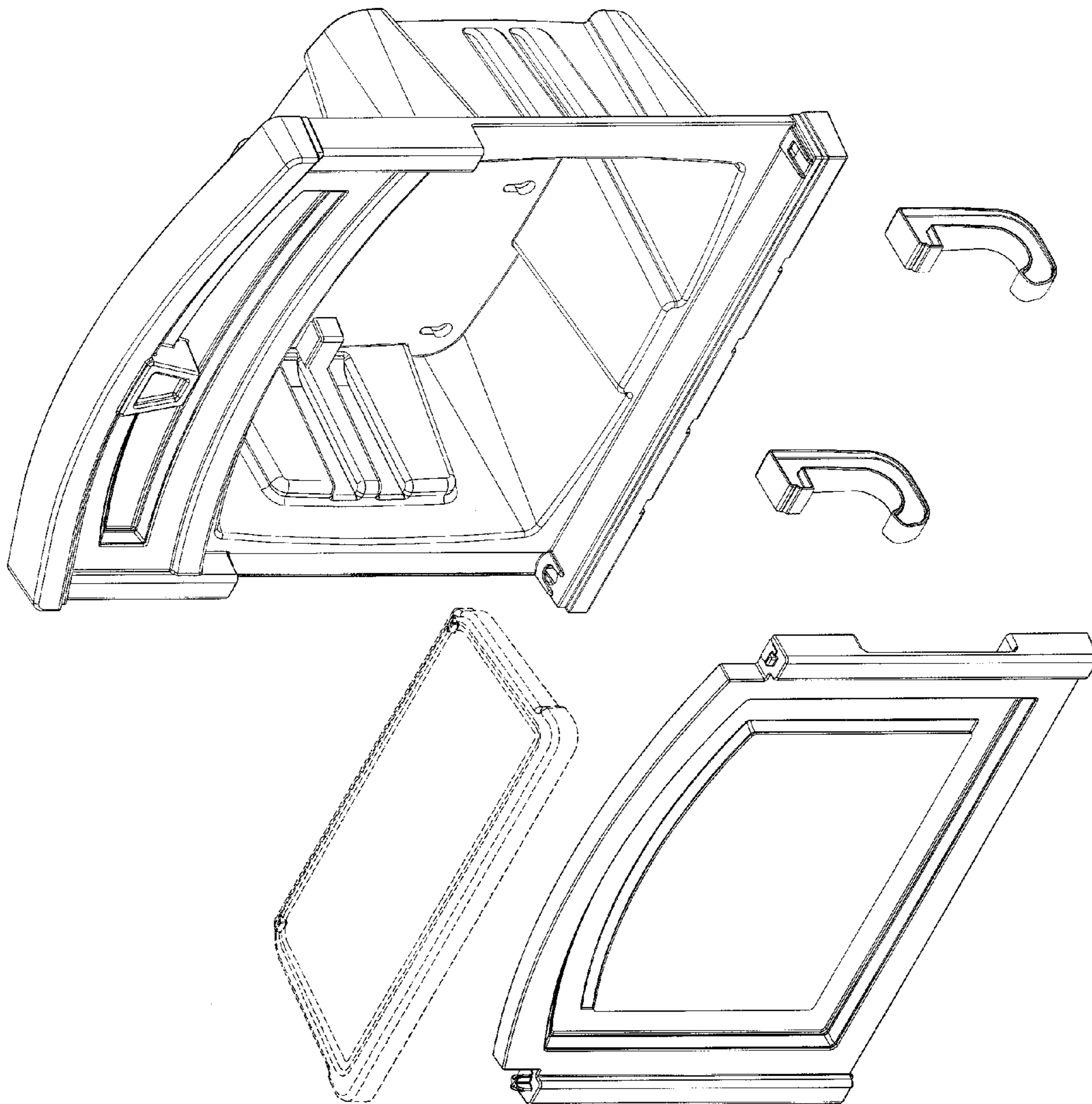


Fig. 9