



US00D607307S

(12) **United States Design Patent**  
**Cutler**

(10) **Patent No.:** **US D607,307 S**

(45) **Date of Patent:** **\*\* Jan. 5, 2010**

(54) **OUTLET COVER**

(76) Inventor: **Paul Cutler**, 2301 Charleston Regional Pkwy., Charleston, SC (US) 29492

(\*\*) Term: **14 Years**

(21) Appl. No.: **29/315,627**

(22) Filed: **Jul. 10, 2009**

(51) **LOC (9) Cl.** ..... **11-05**

(52) **U.S. Cl.** ..... **D8/353**

(58) **Field of Classification Search** ..... D8/350–353;  
D13/156, 177, 152, 154, 158, 173, 169, 171,  
D13/139.1–139.8, 146, 147; D14/159; D25/60;  
174/66, 67; 220/241, 3.92, 3.5–3.8, 242;  
439/536, 535, 892; 200/303; 248/273; 292/357  
See application file for complete search history.

(56) **References Cited**

**U.S. PATENT DOCUMENTS**

- 2,516,464 A \* 7/1950 Hooser ..... 174/67
- 3,068,442 A \* 12/1962 Kubik et al. .... 439/136
- 3,199,063 A \* 8/1965 Stuart ..... 439/536
- 4,070,078 A 1/1978 Chrones
- 4,250,349 A \* 2/1981 Bennett ..... 174/67
- 4,302,624 A \* 11/1981 Newman ..... 174/67
- D265,967 S \* 8/1982 Newman ..... D8/350
- D267,226 S \* 12/1982 Oster ..... D8/353
- D273,084 S \* 3/1984 Henkel ..... D8/353
- 4,549,778 A \* 10/1985 Price et al. .... 439/137
- 4,605,270 A 8/1986 Aslizadeh
- 4,607,136 A 8/1986 Thomas
- 4,733,017 A \* 3/1988 Wolfe-Taylor et al. .... 174/67
- 4,793,818 A \* 12/1988 Poirier ..... 439/140
- 4,810,833 A 3/1989 Meyers
- 4,857,004 A 8/1989 Poirier
- D307,538 S \* 5/1990 Tyree ..... D8/351
- D308,626 S \* 6/1990 Villarreal ..... D8/353
- D308,814 S \* 6/1990 Kintigos et al. .... D8/351
- 4,952,756 A 8/1990 Meyers
- 5,107,075 A \* 4/1992 Currier, Jr. .... 174/67

- D331,386 S \* 12/1992 Koessler ..... D13/156
- 5,212,347 A 5/1993 Powers et al.
- 5,288,945 A 2/1994 Bruce
- 5,932,845 A 8/1999 Lacy
- 5,934,919 A \* 8/1999 Cross et al. .... 439/136
- 5,998,735 A \* 12/1999 Patterson, Jr. .... 174/67
- D429,829 S \* 8/2000 Doran ..... D26/26
- 6,372,987 B1 \* 4/2002 Ha ..... 174/67
- 6,652,297 B1 11/2003 Zhang et al.
- D509,193 S \* 9/2005 Piedmont ..... D13/156
- 7,098,403 B2 \* 8/2006 Jolley ..... 174/67
- D567,633 S \* 4/2008 Anderson ..... D8/353
- 7,399,921 B2 7/2008 McBain

\* cited by examiner

*Primary Examiner*—Ian Simmons

*Assistant Examiner*—Mark A Goodwin

(74) *Attorney, Agent, or Firm*—P. Jeff Martin; The McGougan Law Firm, LLC

(57) **CLAIM**

The ornamental design for an outlet cover, as shown and described.

**DESCRIPTION**

FIG. 1 is a front and upper left perspective view of an outlet cover showing my new design;

FIG. 2 is a right side view thereof;

FIG. 3 is a left side view thereof;

FIG. 4 is a front view thereof;

FIG. 5 is a rear view thereof;

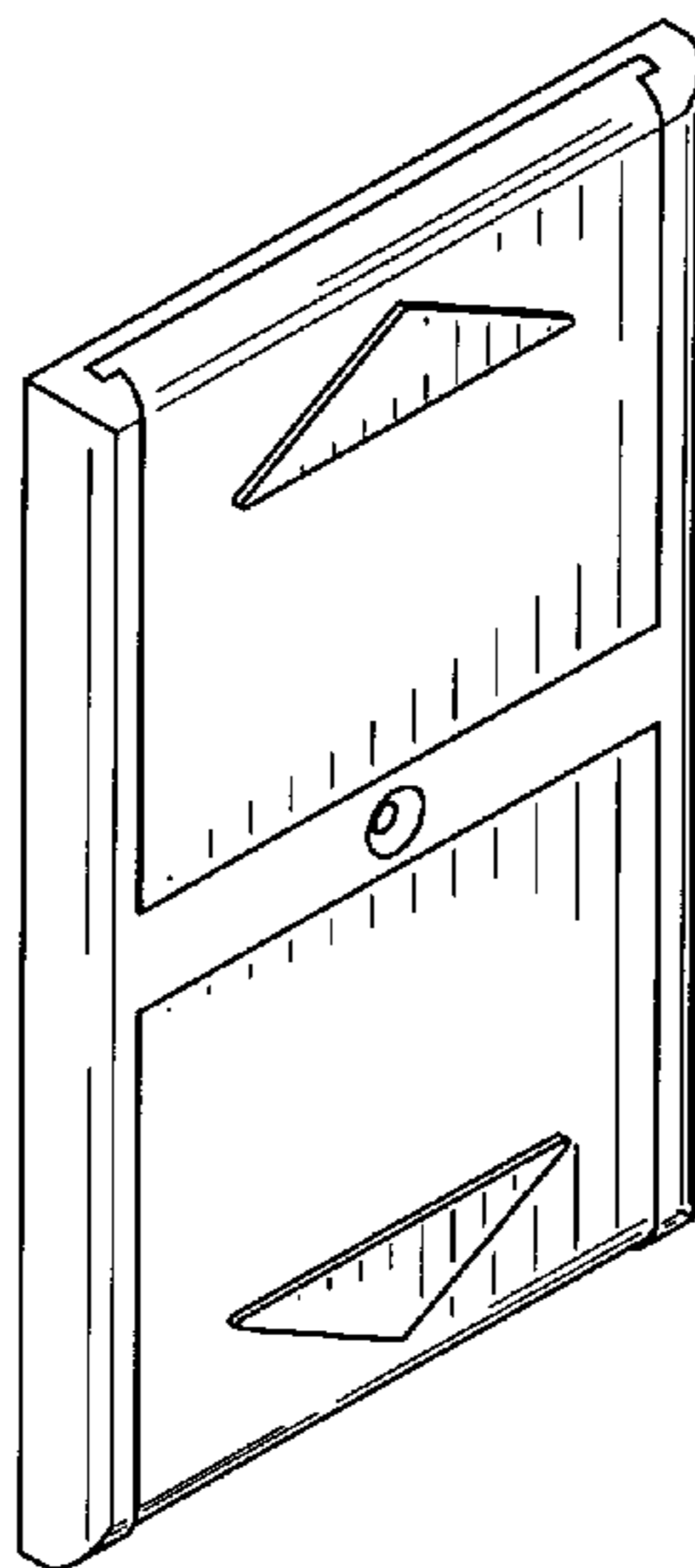
FIG. 6 is a top view thereof;

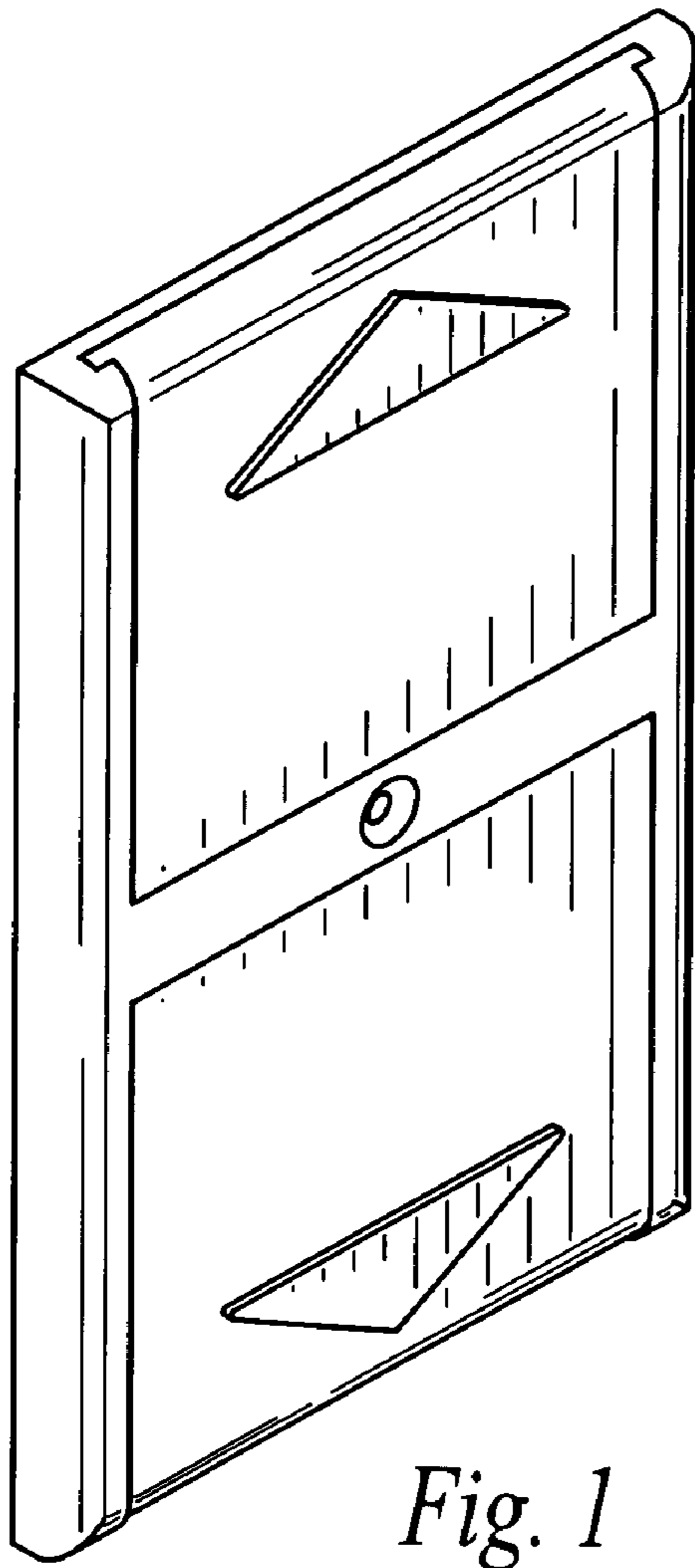
FIG. 7 is a bottom view thereof;

FIG. 8 is a front view thereof with the upper safety door in an open position; and,

FIG. 9 is a front view thereof with the lower safety door in an open position.

**1 Claim, 3 Drawing Sheets**

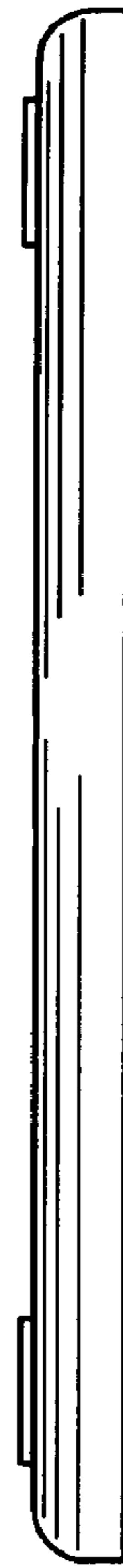




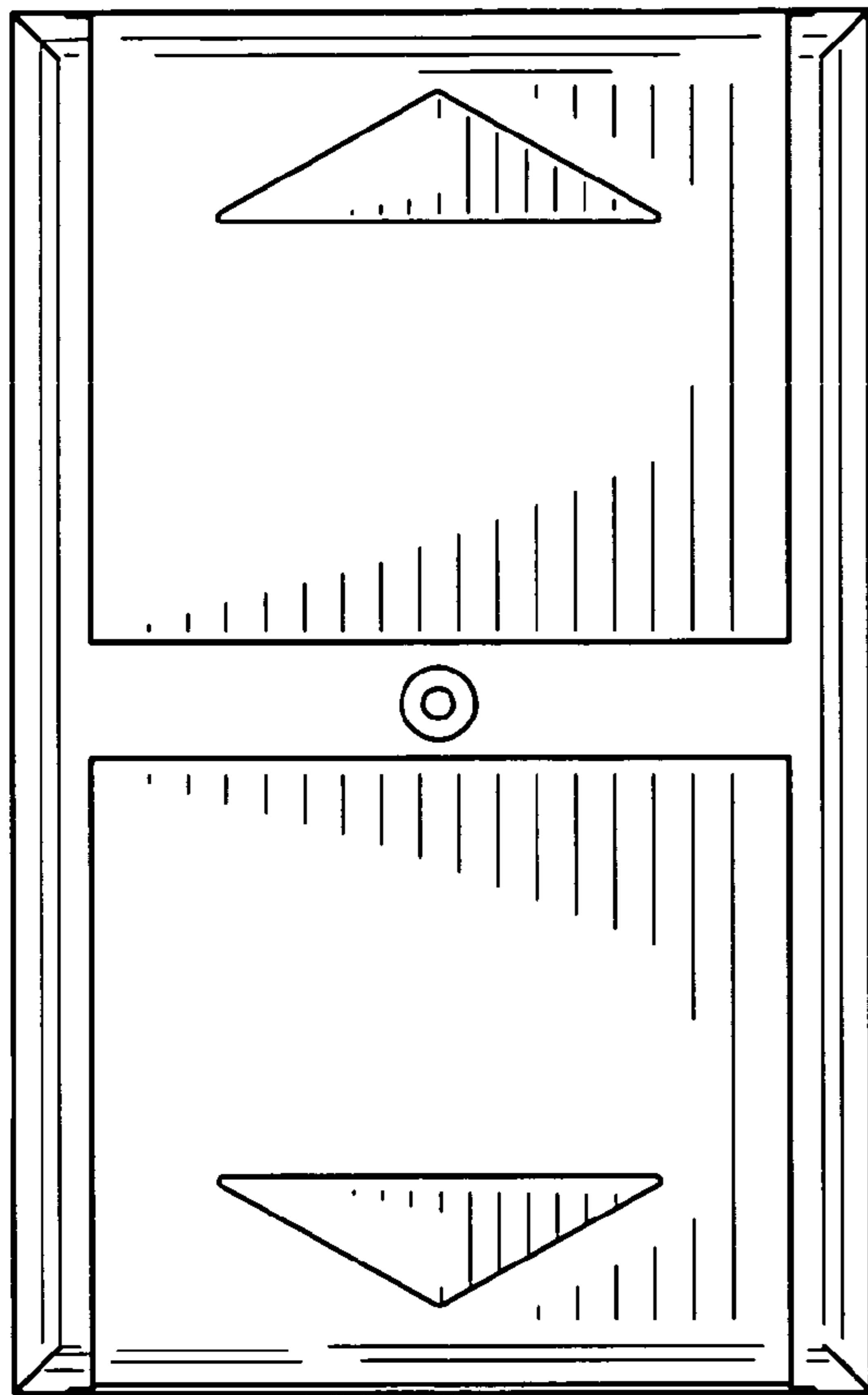
*Fig. 1*



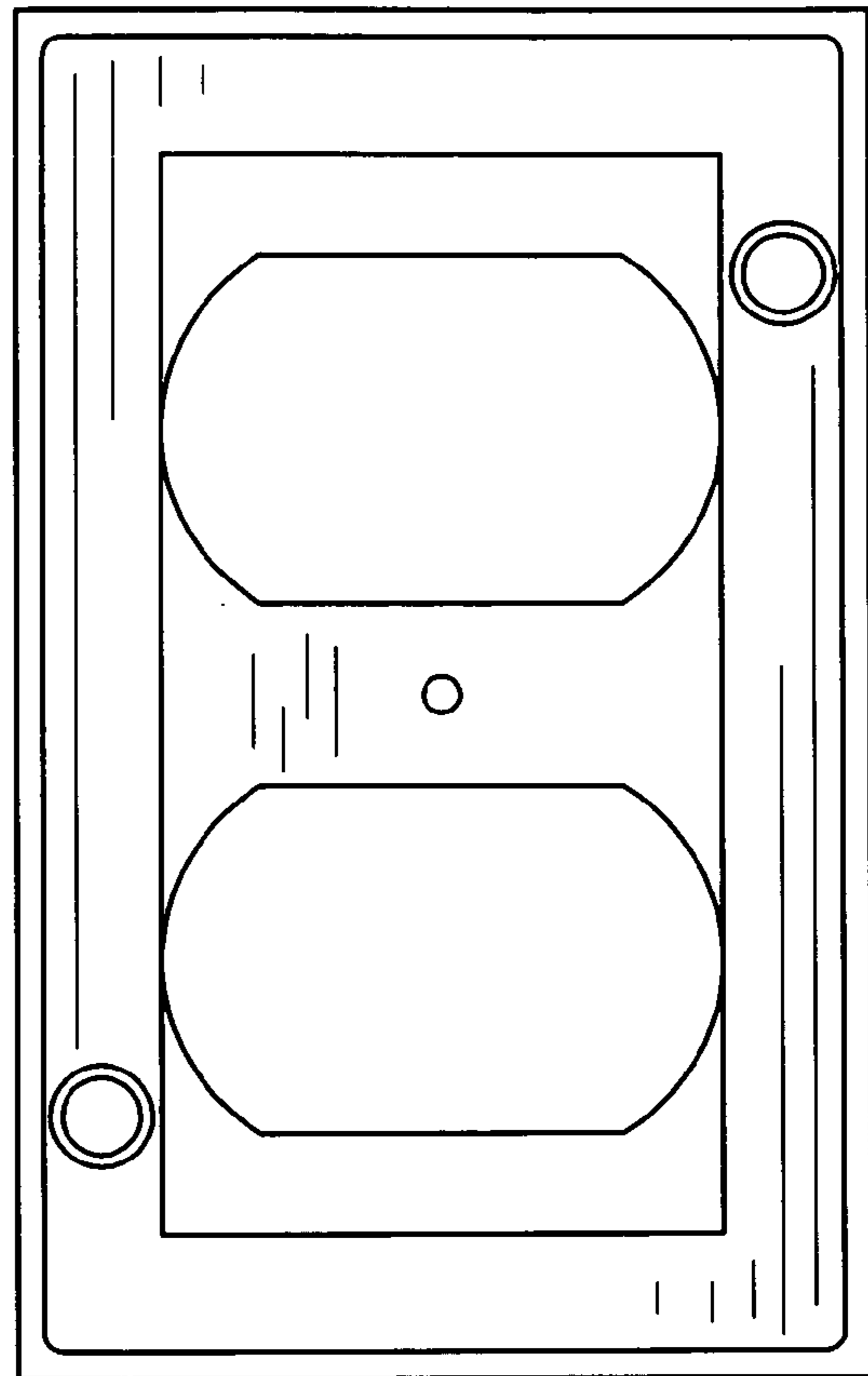
*Fig. 2*



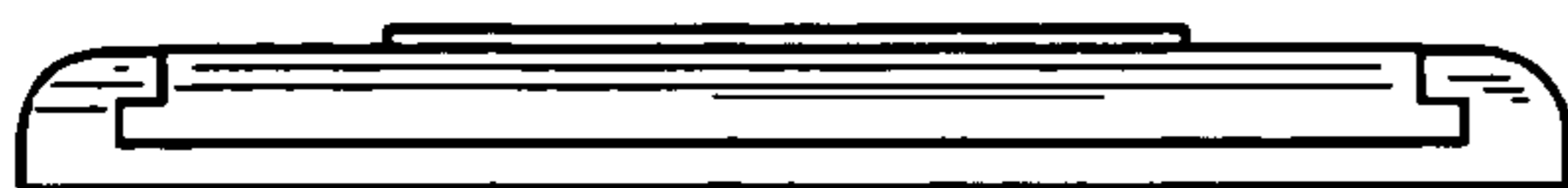
*Fig. 3*



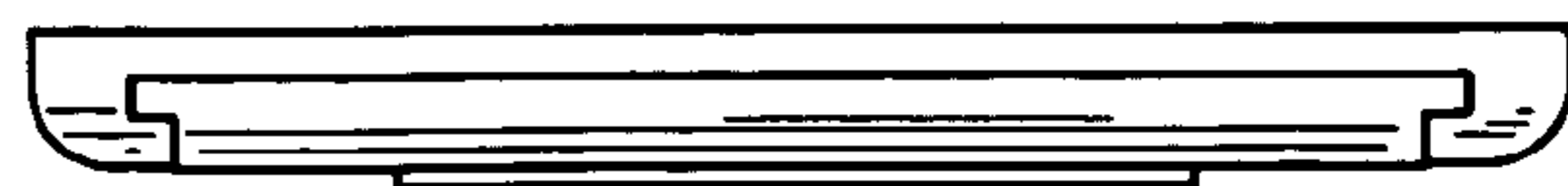
*Fig. 4*



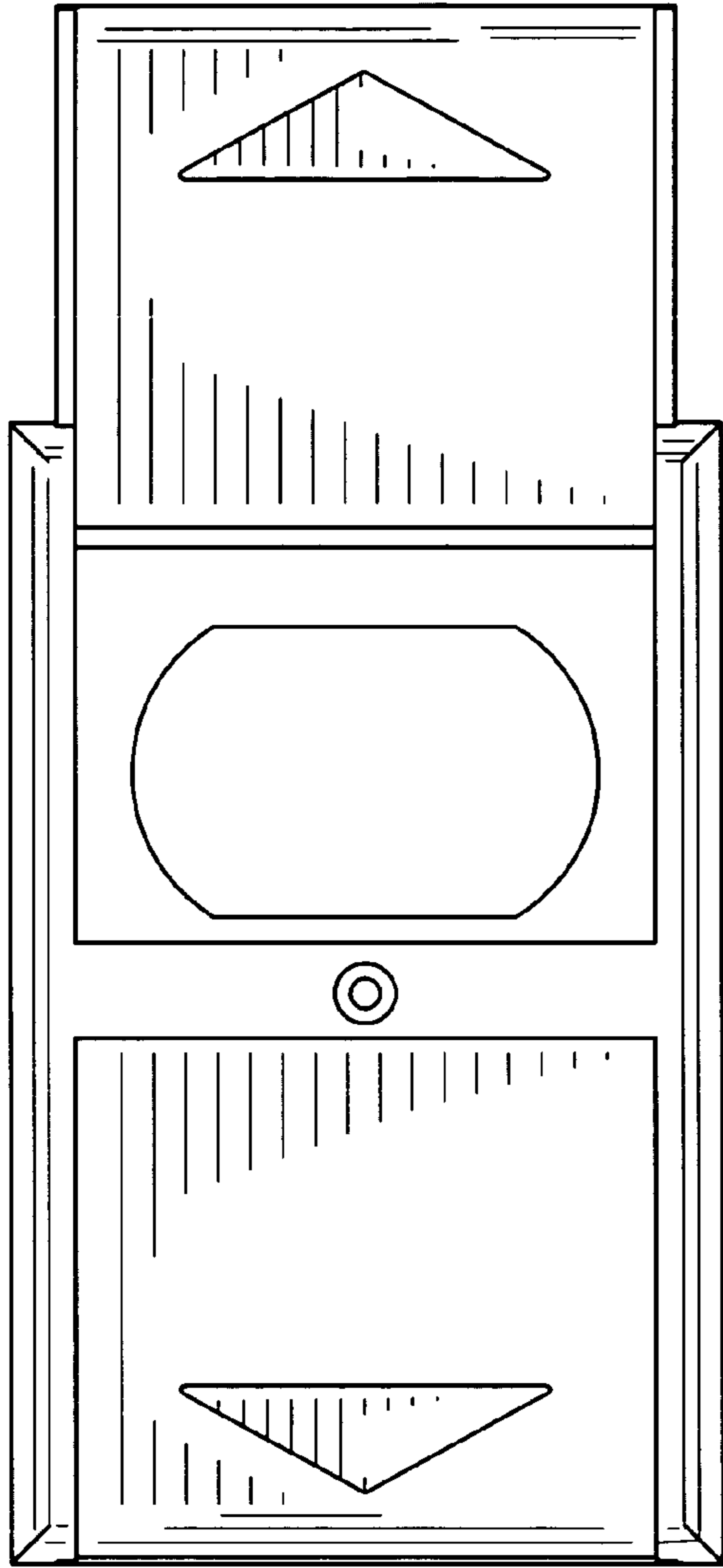
*Fig. 5*



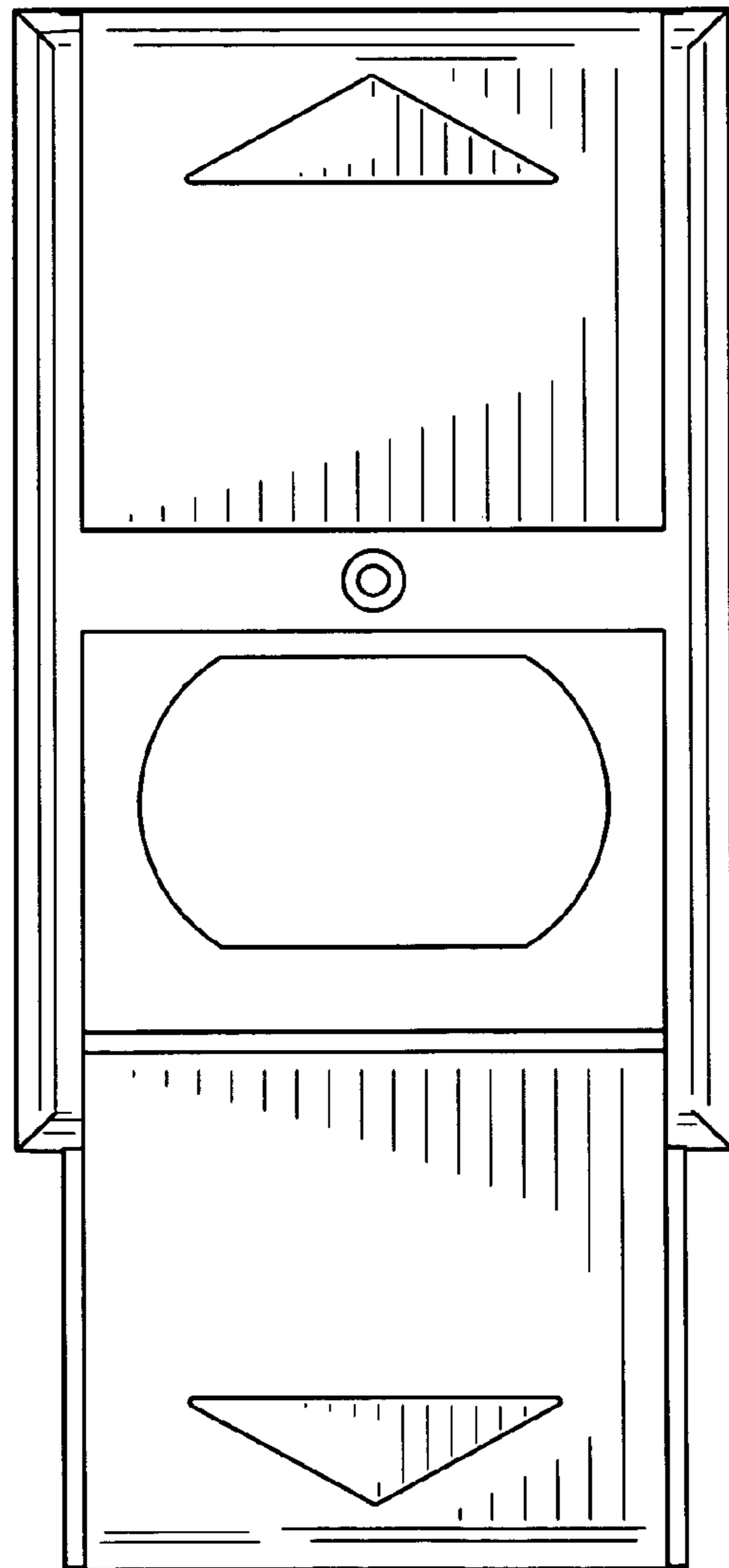
*Fig. 6*



*Fig. 7*



*Fig. 8*



*Fig. 9*