

US00D607306S

(12) **United States Design Patent**
Muncy et al.

(10) **Patent No.:** **US D607,306 S**

(45) **Date of Patent:** **** Jan. 5, 2010**

(54) **HIGH DEFINITION MULTIMEDIA
INTERFACE CONNECTOR RETENTION
APPARATUS**

(75) Inventors: **Randall James Muncy**, Wylie, TX (US);
Robert James Paton, Plano, TX (US)

(73) Assignee: **Cable Electronics, Inc.**, Garland, TX
(US)

(**) Term: **14 Years**

(21) Appl. No.: **29/328,888**

(22) Filed: **Dec. 3, 2008**

(51) **LOC (9) Cl.** **08-05**

(52) **U.S. Cl.** **D8/349**

(58) **Field of Classification Search** D8/349,
D8/354, 356, 373, 389, 394; D13/154, 155,
D13/184; D6/467; 174/72 A, 95, 97, 99,
174/101, 504; 211/26, 70.8; 248/49, 65,
248/68.1; 361/826-828

See application file for complete search history.

(56) **References Cited**

U.S. PATENT DOCUMENTS

3,890,459	A *	6/1975	Caveney	174/101
D339,982	S *	10/1993	Rodriguez Prados	D8/356
D375,082	S *	10/1996	Messelhi	D13/152
5,954,301	A *	9/1999	Joseph et al.	248/68.1
6,285,565	B1 *	9/2001	Åberg et al.	361/826
D448,650	S *	10/2001	Vrame	D8/356
D468,996	S *	1/2003	Sarkinen et al.	D8/356
6,669,029	B1 *	12/2003	Beane	211/26
D488,054	S *	4/2004	Myers	D8/356
D489,041	S *	4/2004	Chen et al.	D13/184

D543,957	S *	6/2007	Landerholm et al.	D13/184
D568,840	S *	5/2008	Hsu	D13/184
D587,102	S *	2/2009	Morgan	D8/356
D589,782	S *	4/2009	Rowell et al.	D8/356
D591,698	S *	5/2009	Assaraf et al.	D13/184
2001/0022231	A1 *	9/2001	Dyer	174/48
2008/0011512	A1 *	1/2008	Burns	174/504

* cited by examiner

Primary Examiner—Holly H Baynham

Assistant Examiner—Cynthia M Chin

(74) *Attorney, Agent, or Firm*—Haynes and Boone, LLP

(57) **CLAIM**

The ornamental design for a high definition multimedia inter-
face connector retention apparatus, as shown and described.

DESCRIPTION

FIG. 1 is a perspective view of the high definition multimedia
interface connector retention apparatus showing my new
design;

FIG. 2 is a front elevational view thereof;

FIG. 3 is a left side elevational view thereof, the right side
elevational view being a mirror image;

FIG. 4 is a top plan view thereof;

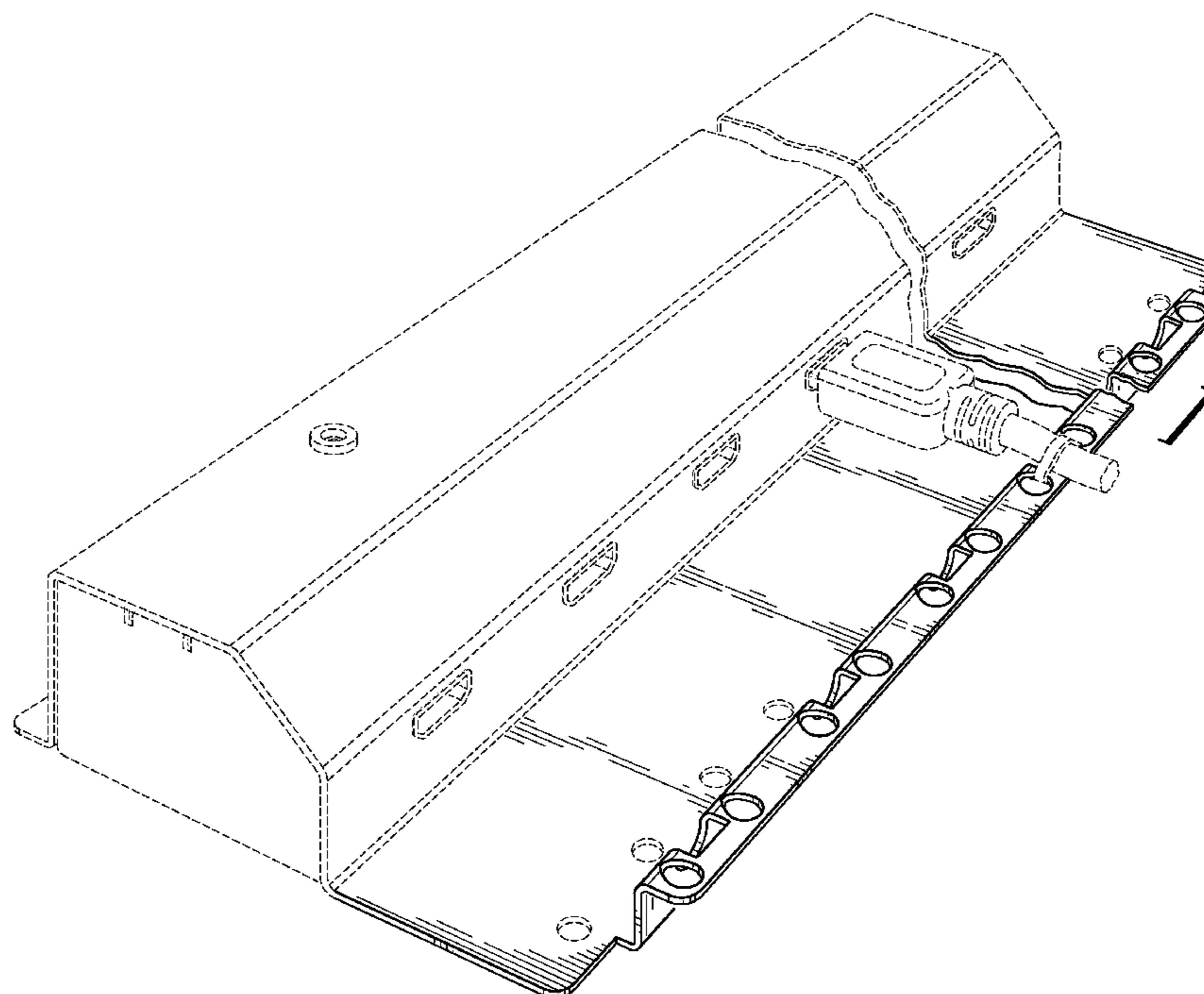
FIG. 5 is a bottom plan view thereof; and,

FIG. 6 is a rear elevational view thereof.

Any broken line illustration of environmental structure in the
drawings is not part of the design sought to be patented.

Portions of the claimed design are shown separated and
bound by a bracket to indicate that no particular length is
being claimed.

1 Claim, 5 Drawing Sheets



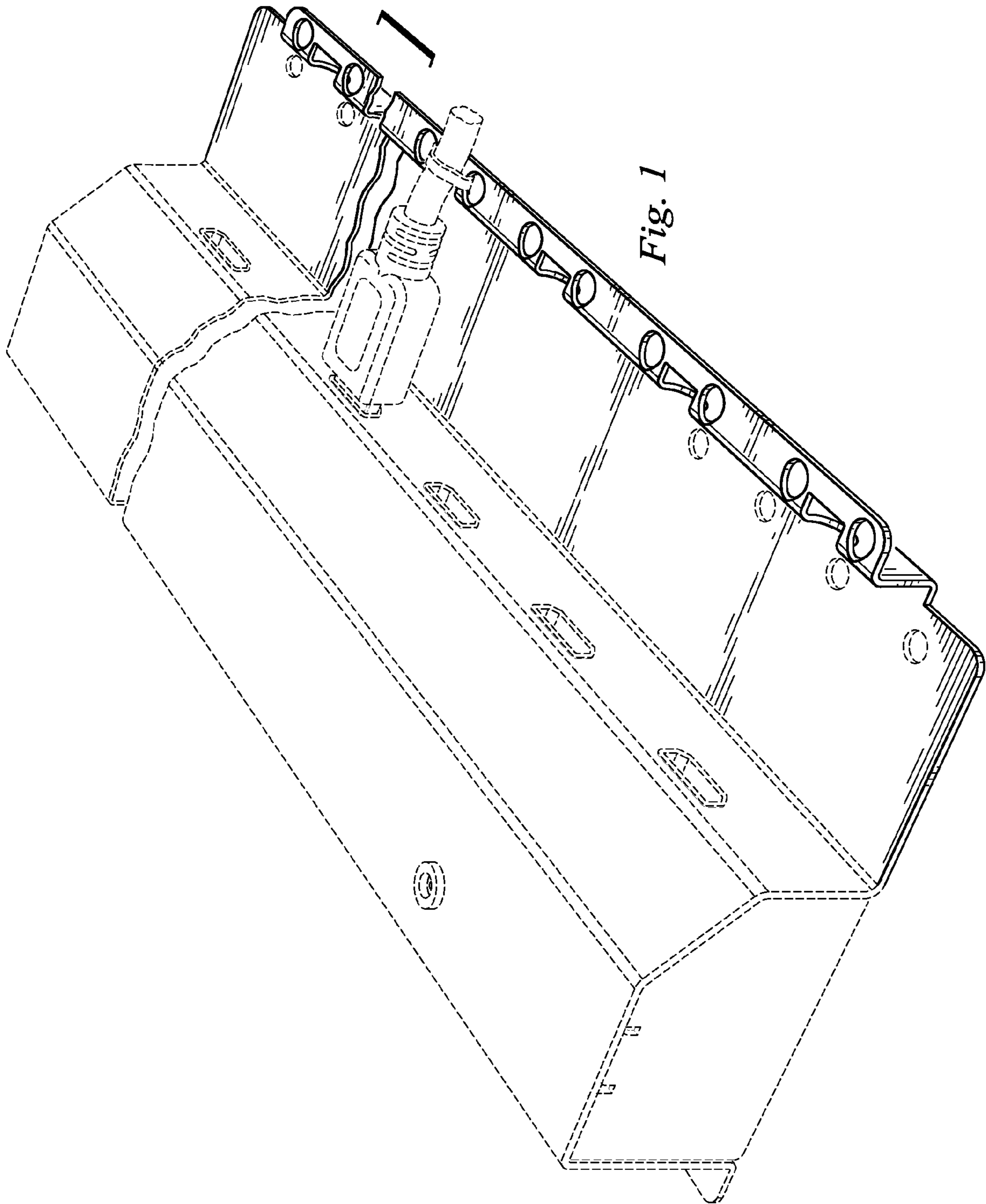


Fig. 1

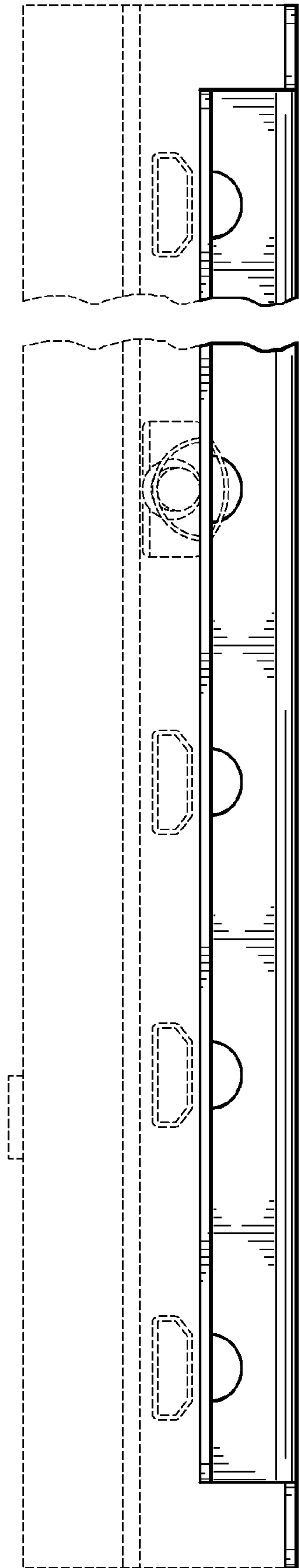


Fig. 2

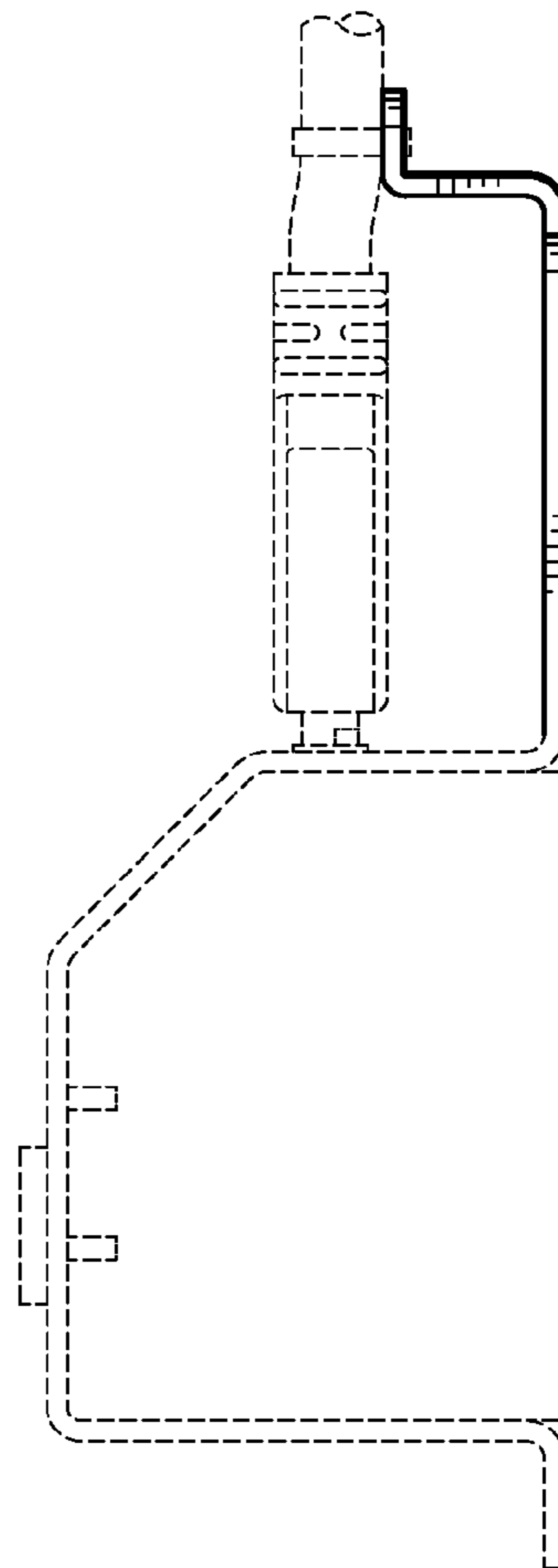


Fig. 3

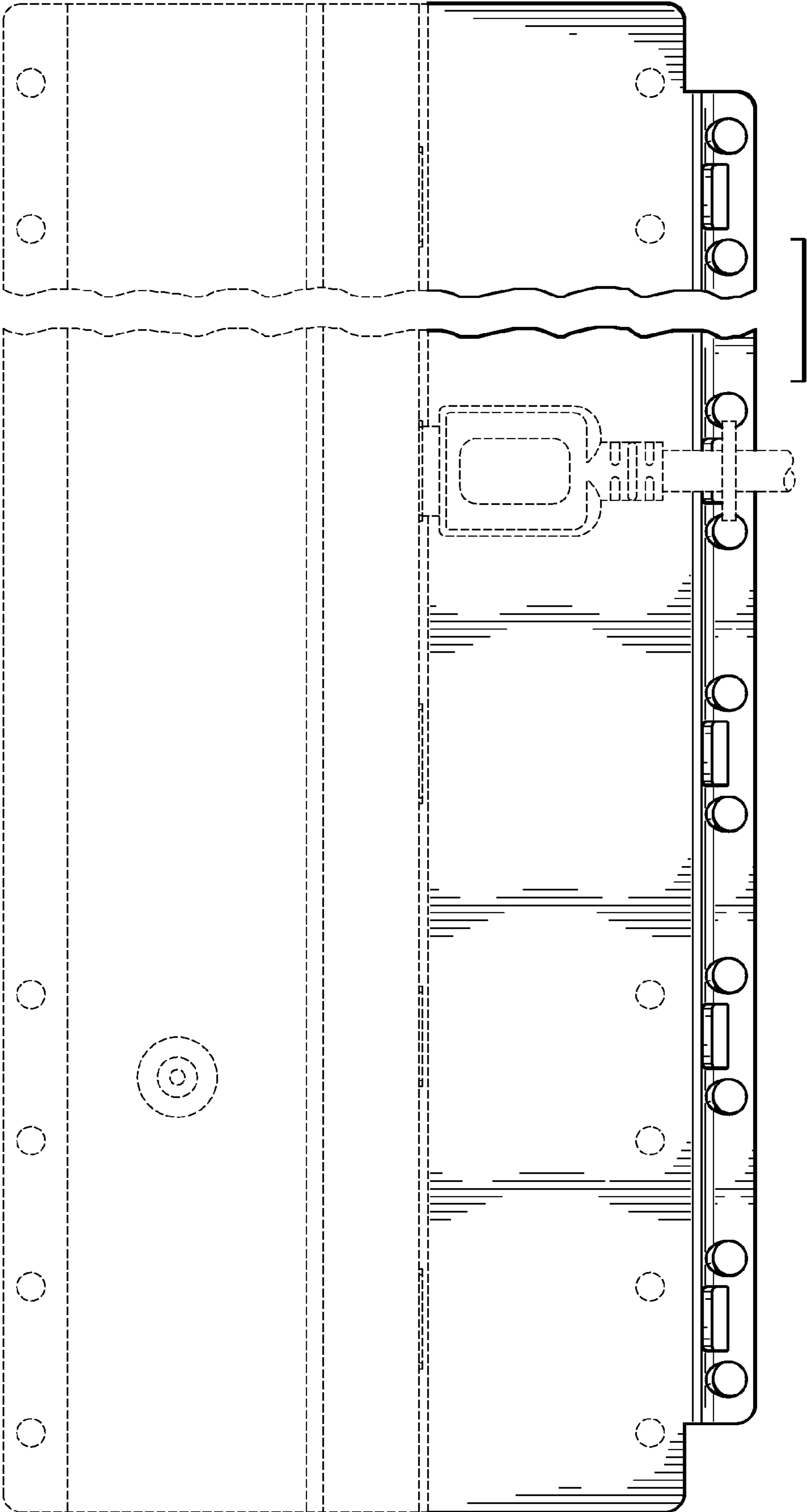


Fig. 4

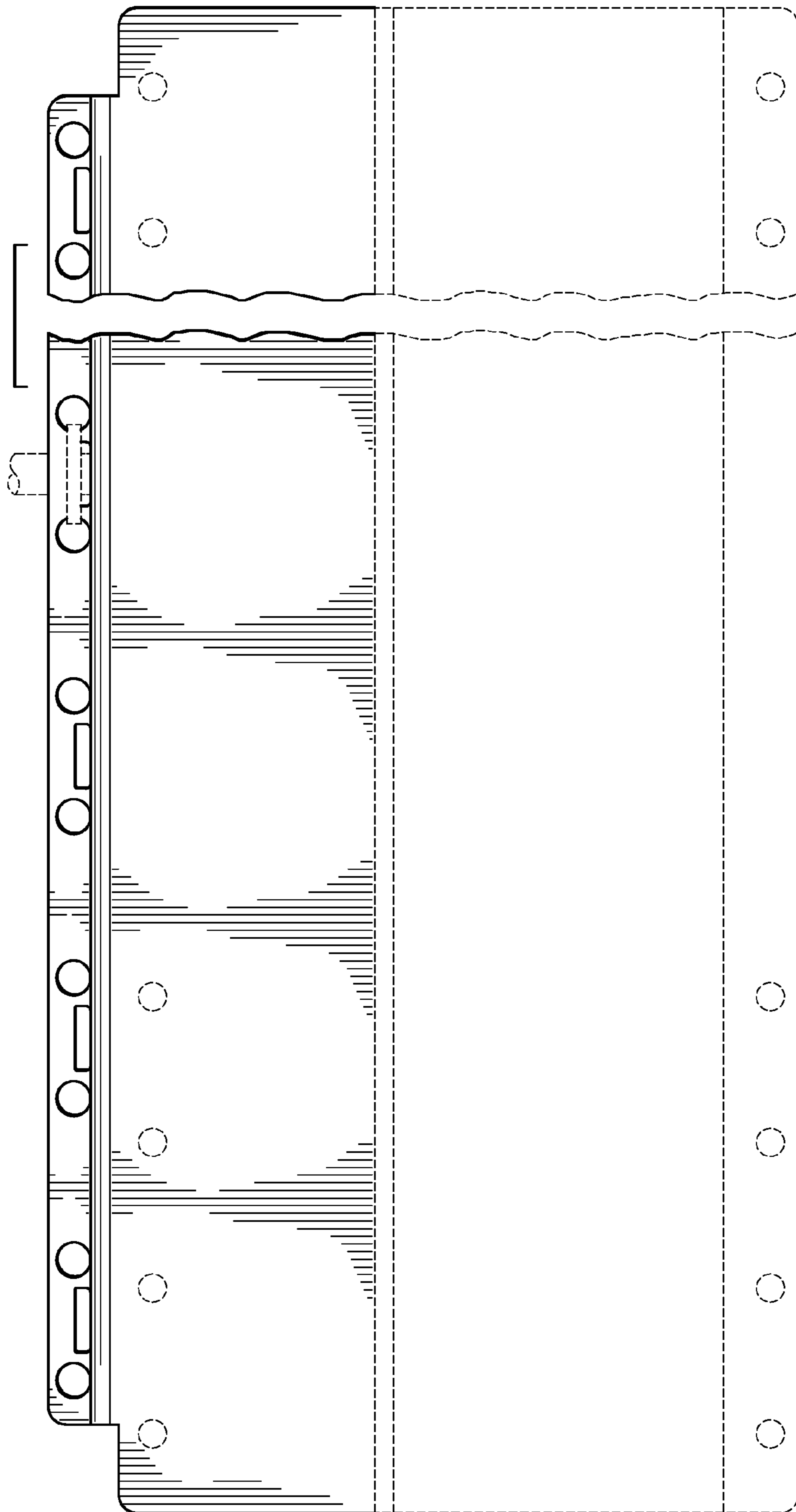


Fig. 5

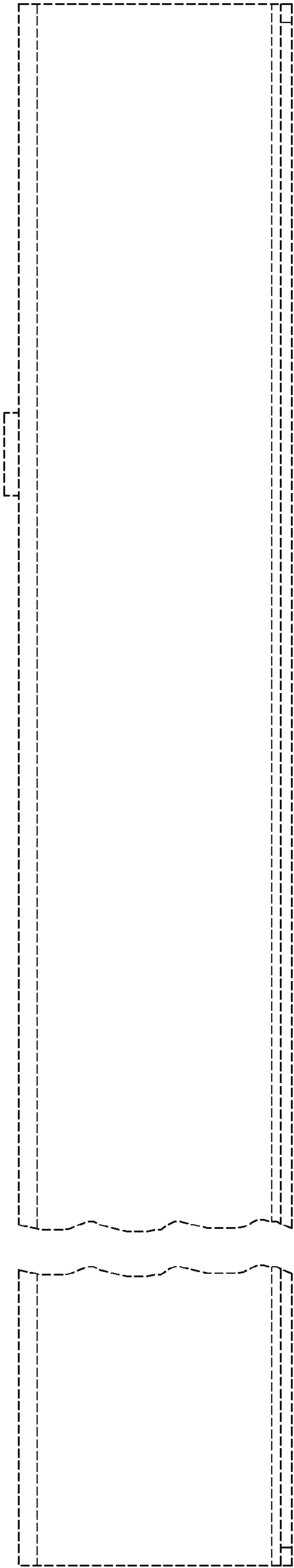


Fig. 6

