



US00D607304S

(12) **United States Design Patent**
Stuckey

(10) **Patent No.:** **US D607,304 S**

(45) **Date of Patent:** **** Jan. 5, 2010**

(54) **CATCH**

D593,397 S 6/2009 Stuckey
D595,110 S * 6/2009 Berstler et al. D8/337

(75) Inventor: **David Martin Stuckey**, Eltham (AU)

* cited by examiner

(73) Assignee: **Burgundy Trial Pty Ltd** (AU)

Primary Examiner—Prabhakar Deshmukh

(**) Term: **14 Years**

(74) *Attorney, Agent, or Firm*—Craig A. Fieschko, Esq.;
DeWitt Ross & Stevens S.C.

(21) Appl. No.: **29/339,721**

(57) **CLAIM**

(22) Filed: **Jul. 7, 2009**

The ornamental design for a catch, as shown and described.

(30) **Foreign Application Priority Data**

DESCRIPTION

Jan. 14, 2009 (AU) 10093/2009

(51) **LOC (9) Cl.** **08-07**

(52) **U.S. Cl.** **D8/331; D8/343**

(58) **Field of Classification Search** D8/330,
D8/331, 339, 343, 344, 345, 300, 302; 70/14,
70/51–56, 141, 224, 431, 455, 466; 292/177–181,
292/282, 279, 280, 269, 273, 275, 277, 298,
292/302, 359

See application file for complete search history.

FIG. 1 is a front perspective view of a catch showing my design;

FIG. 2 is a rear perspective view thereof;

FIG. 3 is a front elevational view thereof;

FIG. 4 is a rear elevational view thereof;

FIG. 5 is a left side elevational view thereof, the right side elevational view being a mirror image;

FIG. 6 is a top plan view thereof, the bottom plan view being a mirror image;

FIG. 7 is an exploded perspective view therefore, showing the claimed design parts separately for clarity;

FIG. 8 is an exploded right side elevational view thereof, the left side elevational view being a mirror image thereof;

FIG. 9 is an exploded top plan view thereof, the bottom plan view being a mirror image thereof; and,

FIG. 10 is a perspective view thereof, with the article shown in it's environmental use.

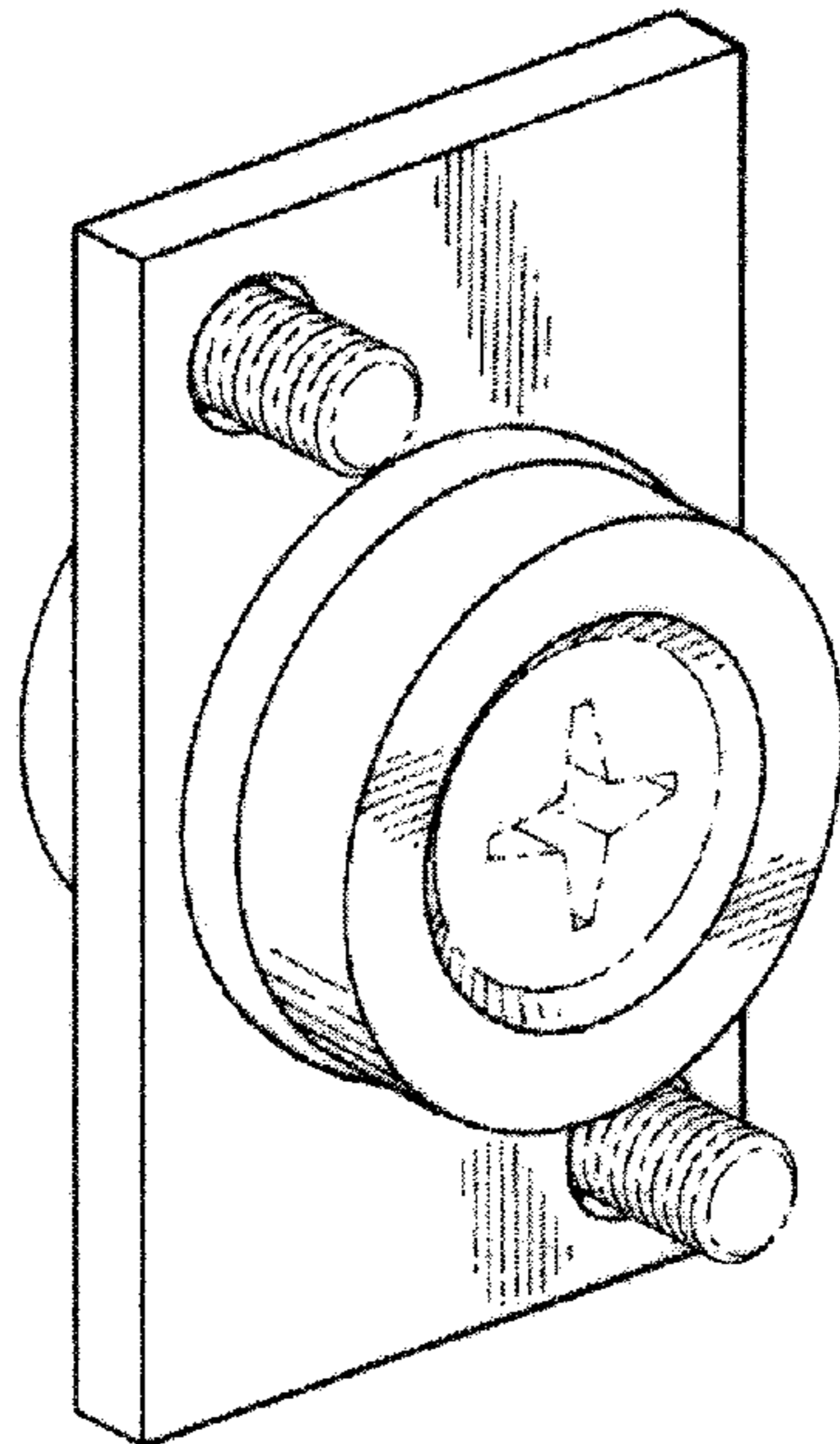
The broken lines showing of the screws in FIGS. 1–10 and the environmental structure in FIG. 10 are for illustrative purpose only and form no part of the claimed design.

(56) **References Cited**

U.S. PATENT DOCUMENTS

- 1,927,264 A * 9/1933 Hoffman 292/178
- 3,227,330 A * 1/1966 Sadler 222/427
- D213,853 S * 4/1969 Unter D18/24
- D214,713 S * 7/1969 Unter D8/302
- 5,072,976 A * 12/1991 Meszaros 292/207
- D411,433 S * 6/1999 Swan et al. D8/306
- D465,398 S * 11/2002 Linares et al. D8/302
- 6,668,602 B2 * 12/2003 Graham et al. 70/208
- 7,272,954 B2 * 9/2007 Brugerolle et al. 62/646
- D553,473 S * 10/2007 Neri et al. D8/339
- D585,264 S 1/2009 Stuckey
- D588,895 S * 3/2009 Eschweiler et al. D8/302

1 Claim, 4 Drawing Sheets



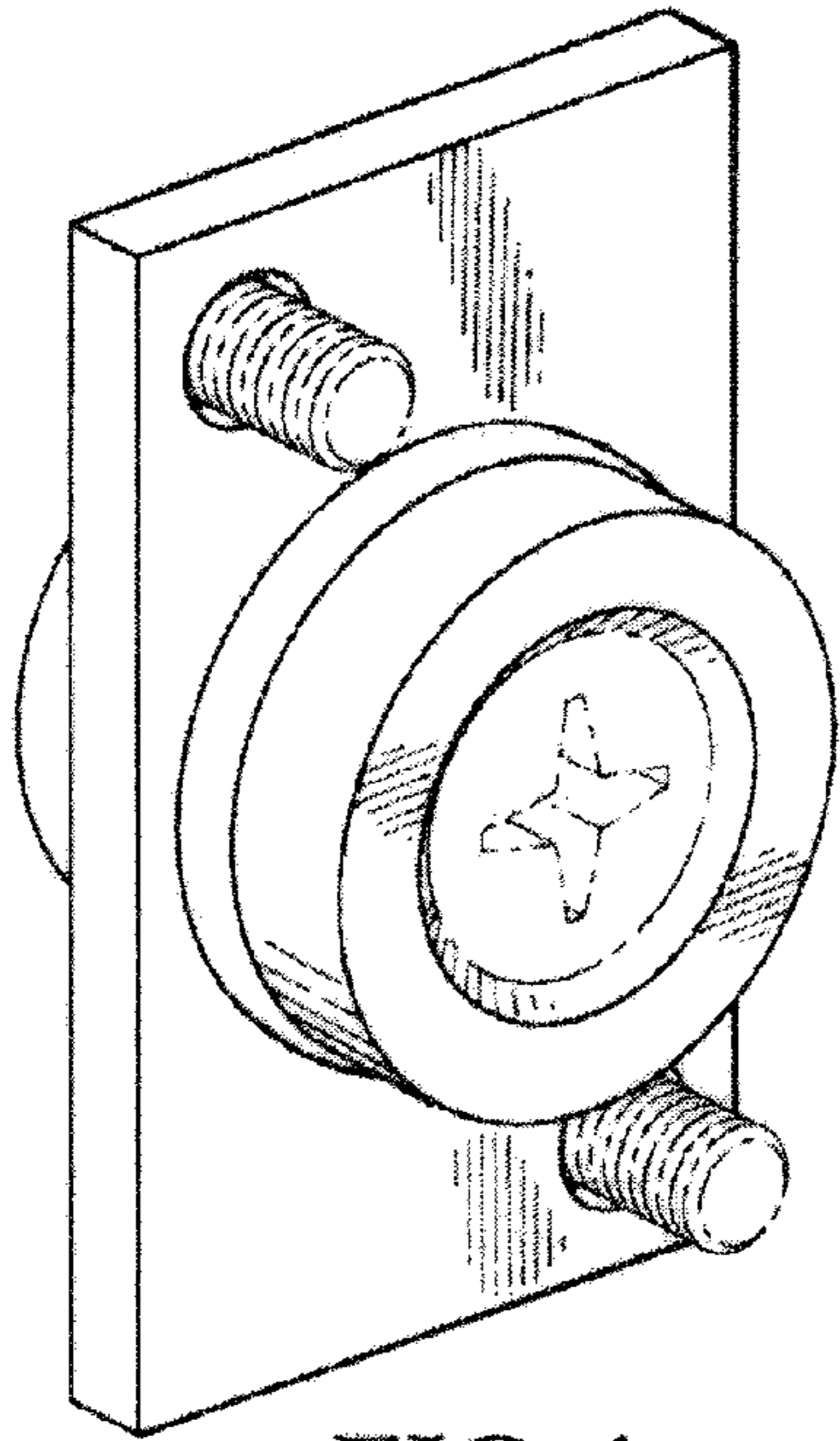


FIG. 1

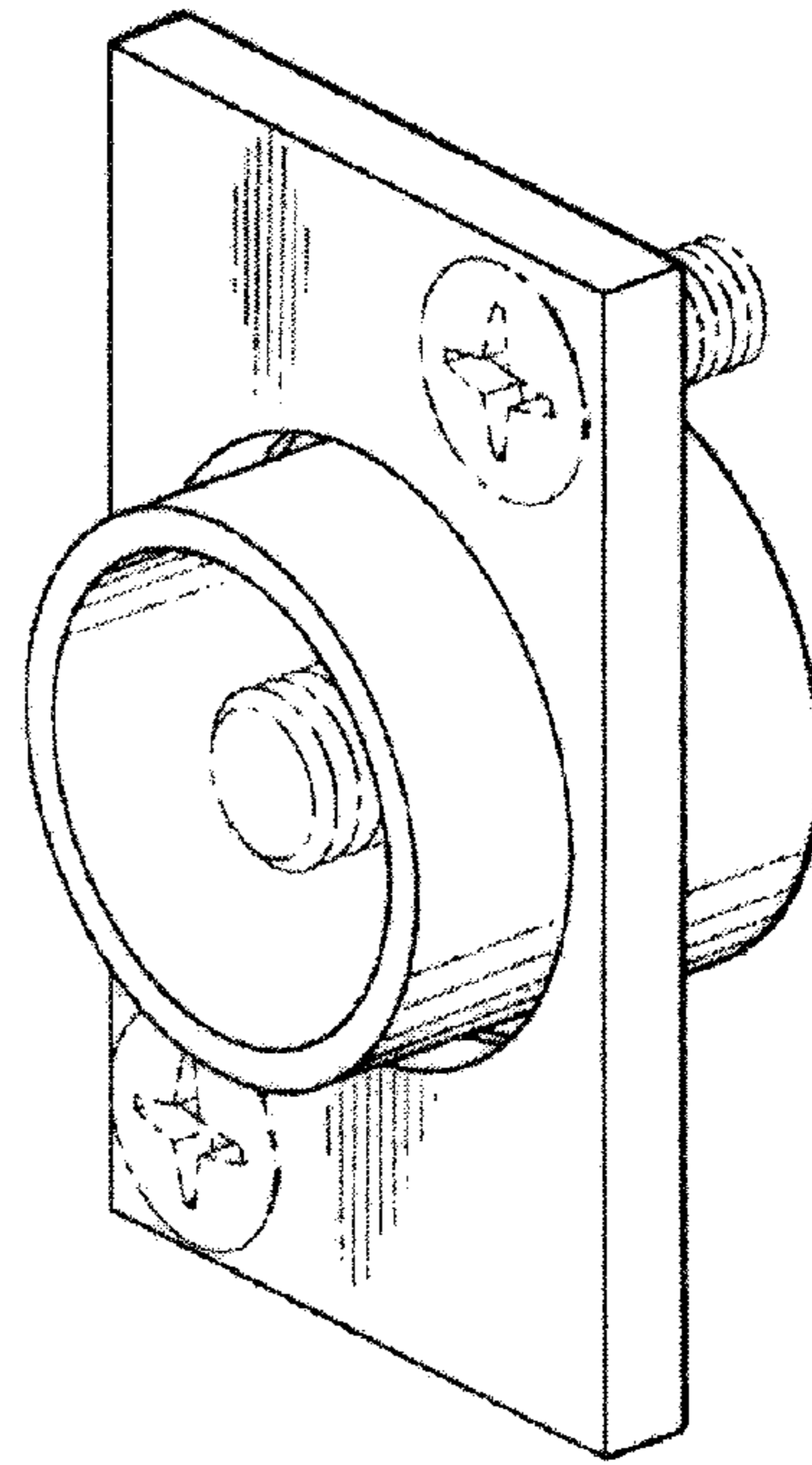


FIG. 2

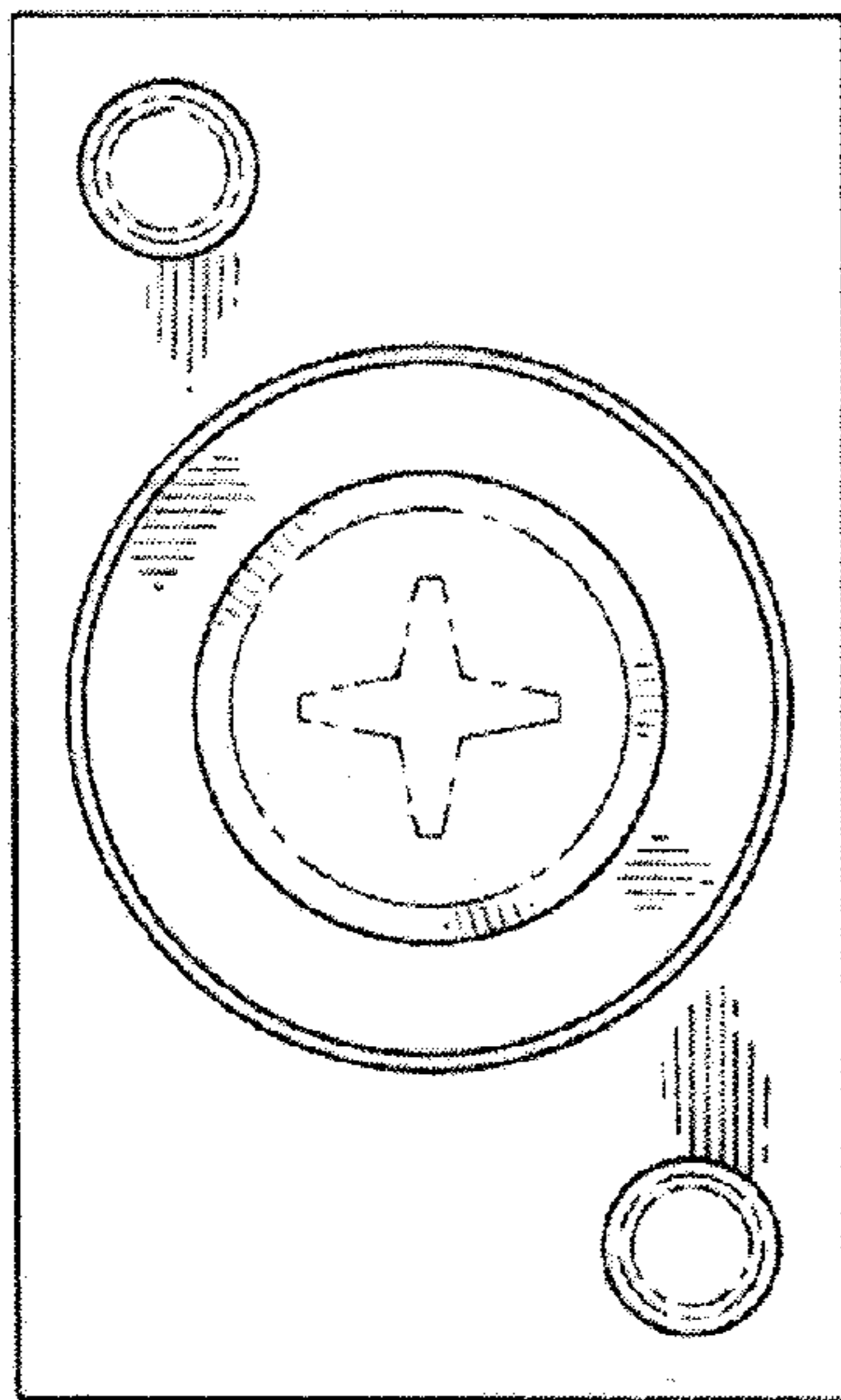


FIG. 3

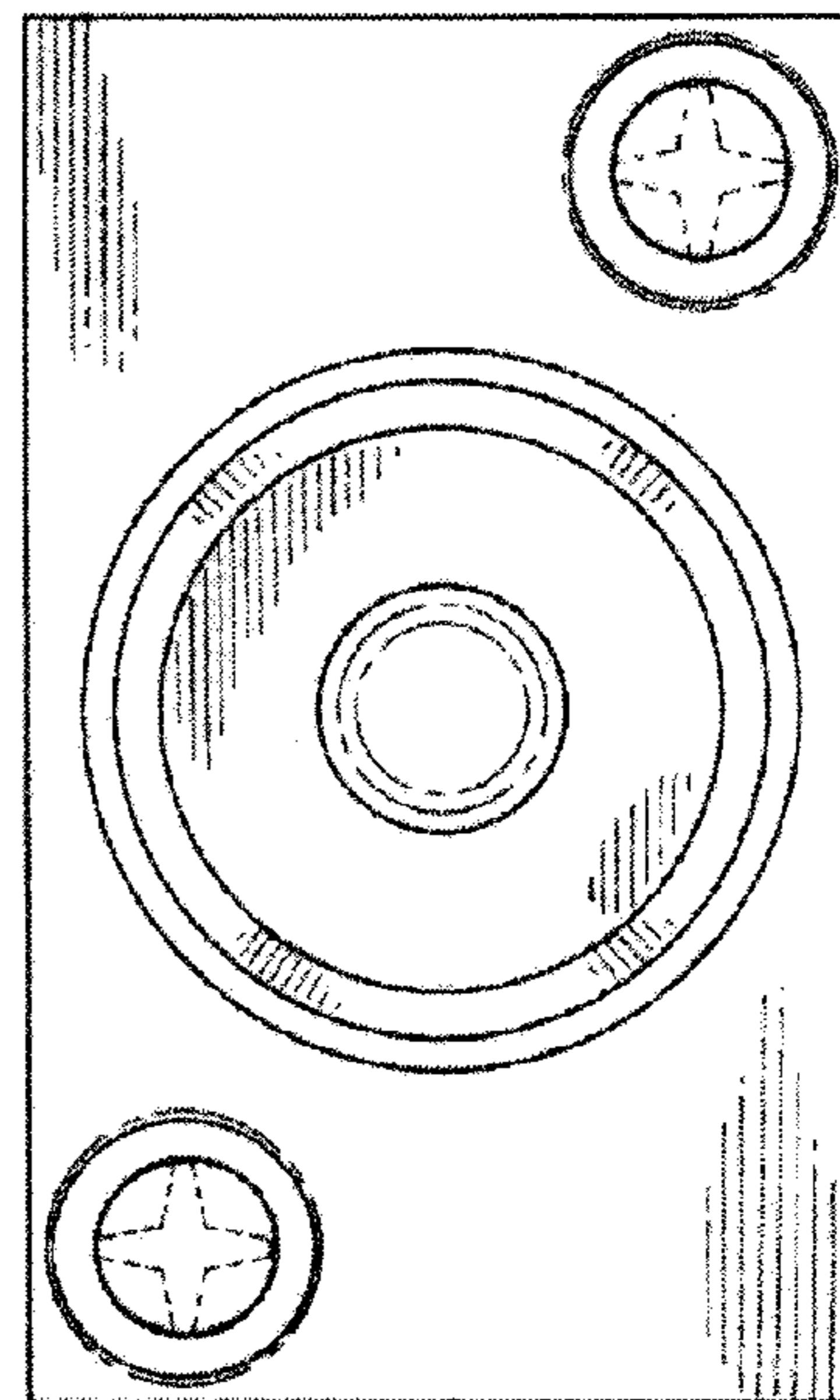


FIG. 4

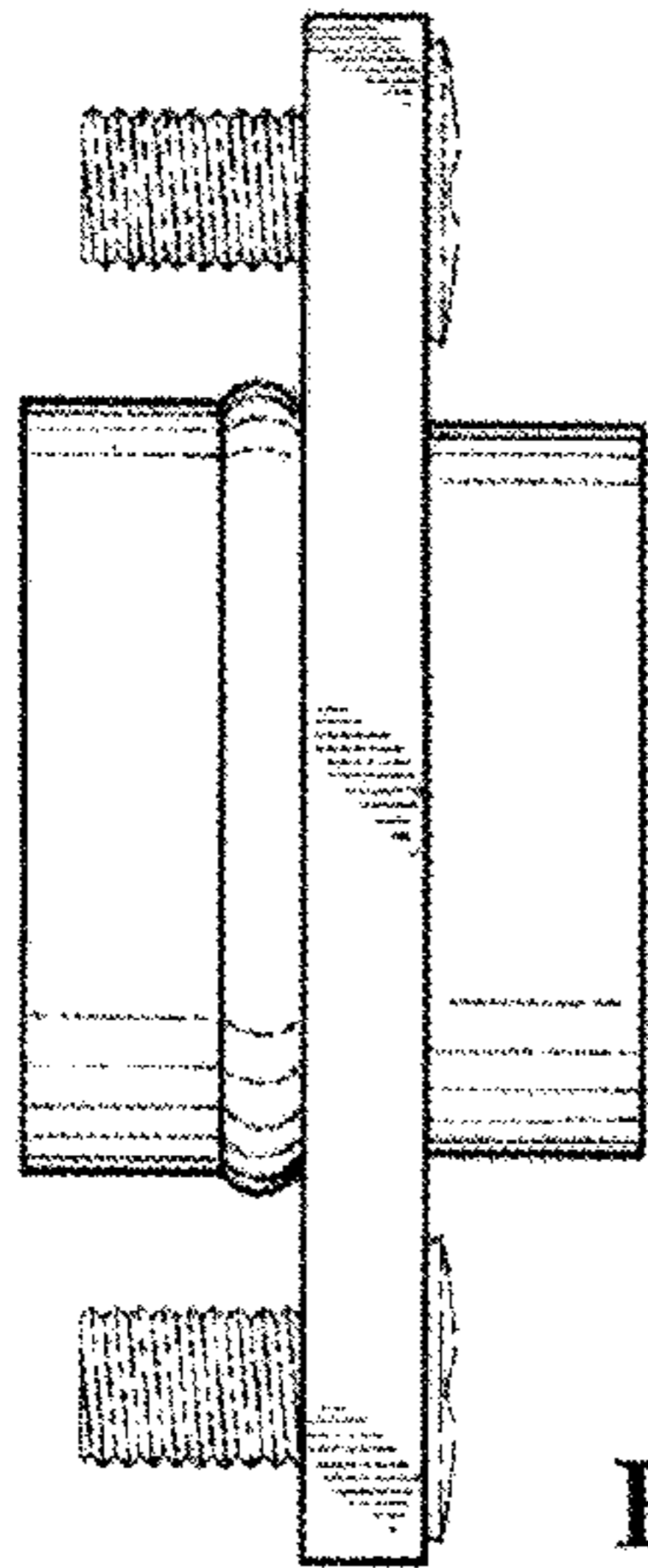


FIG. 5

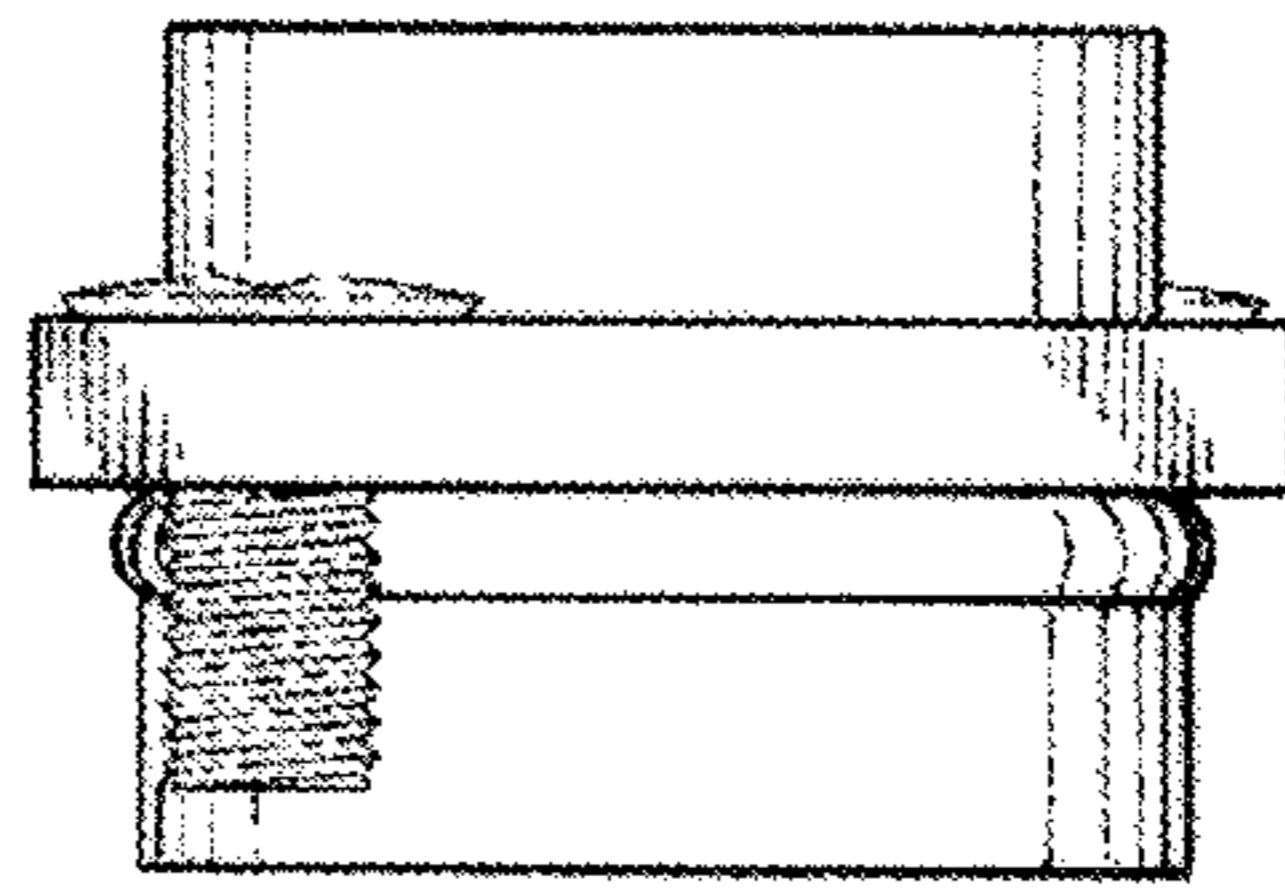


FIG. 6

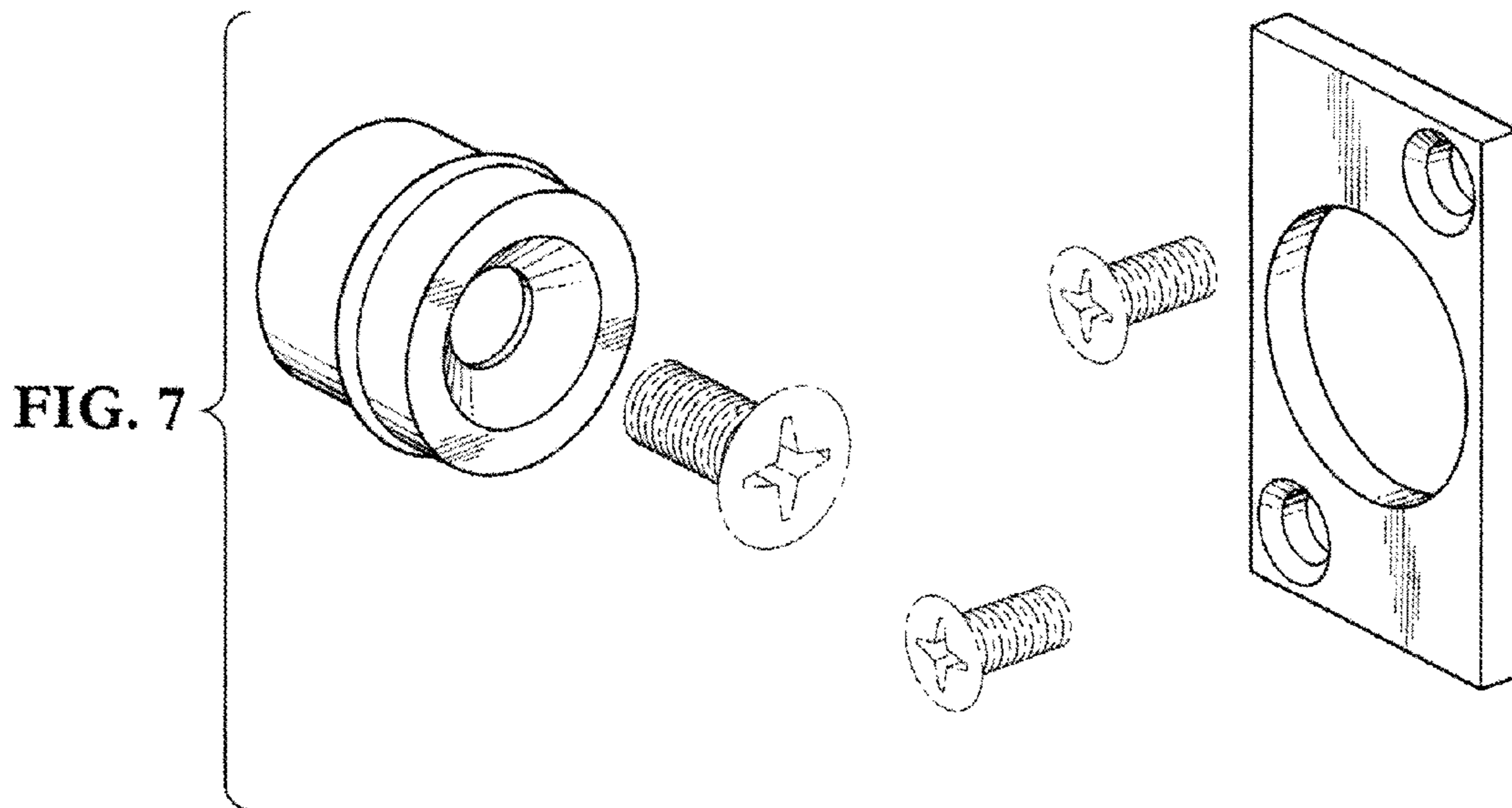
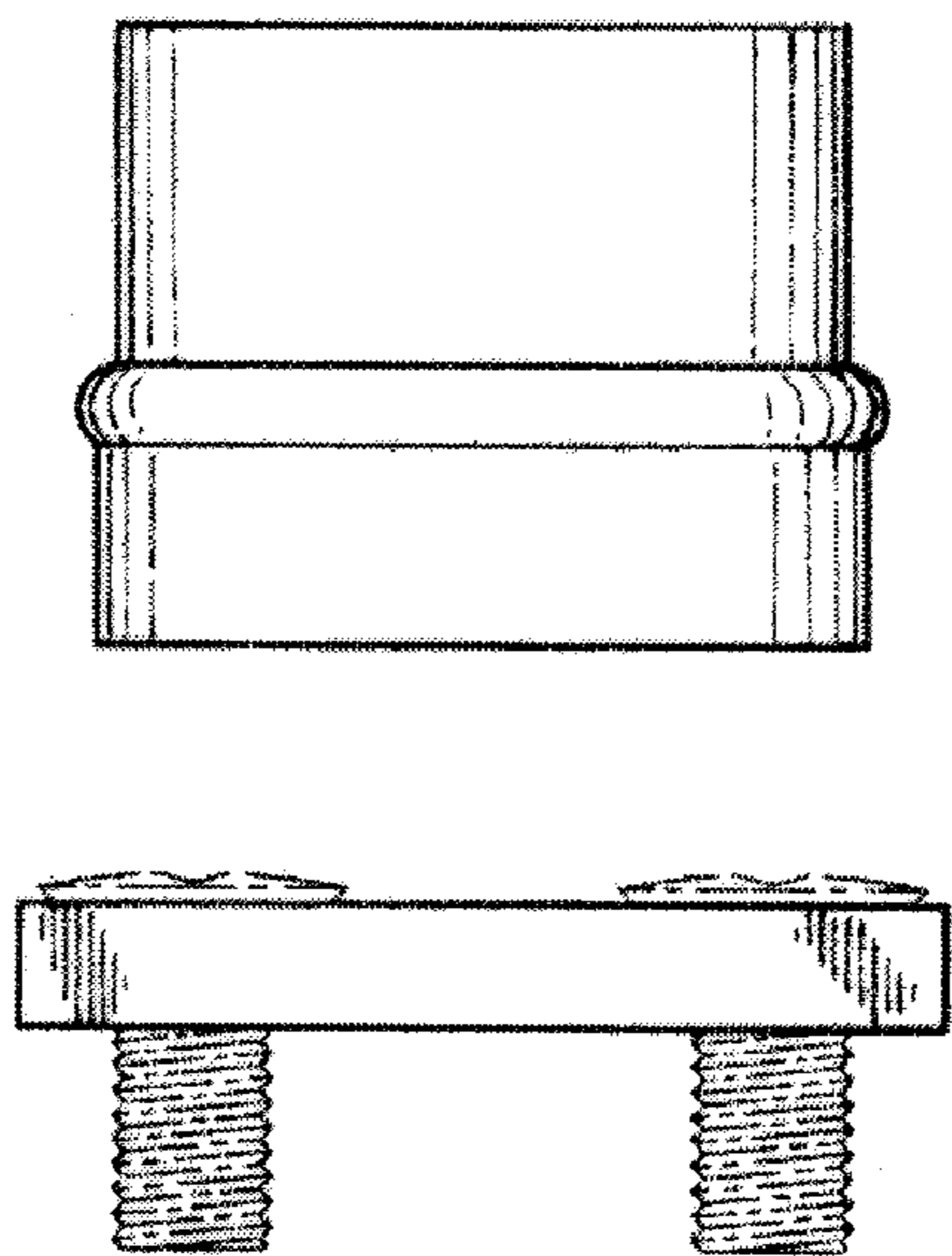
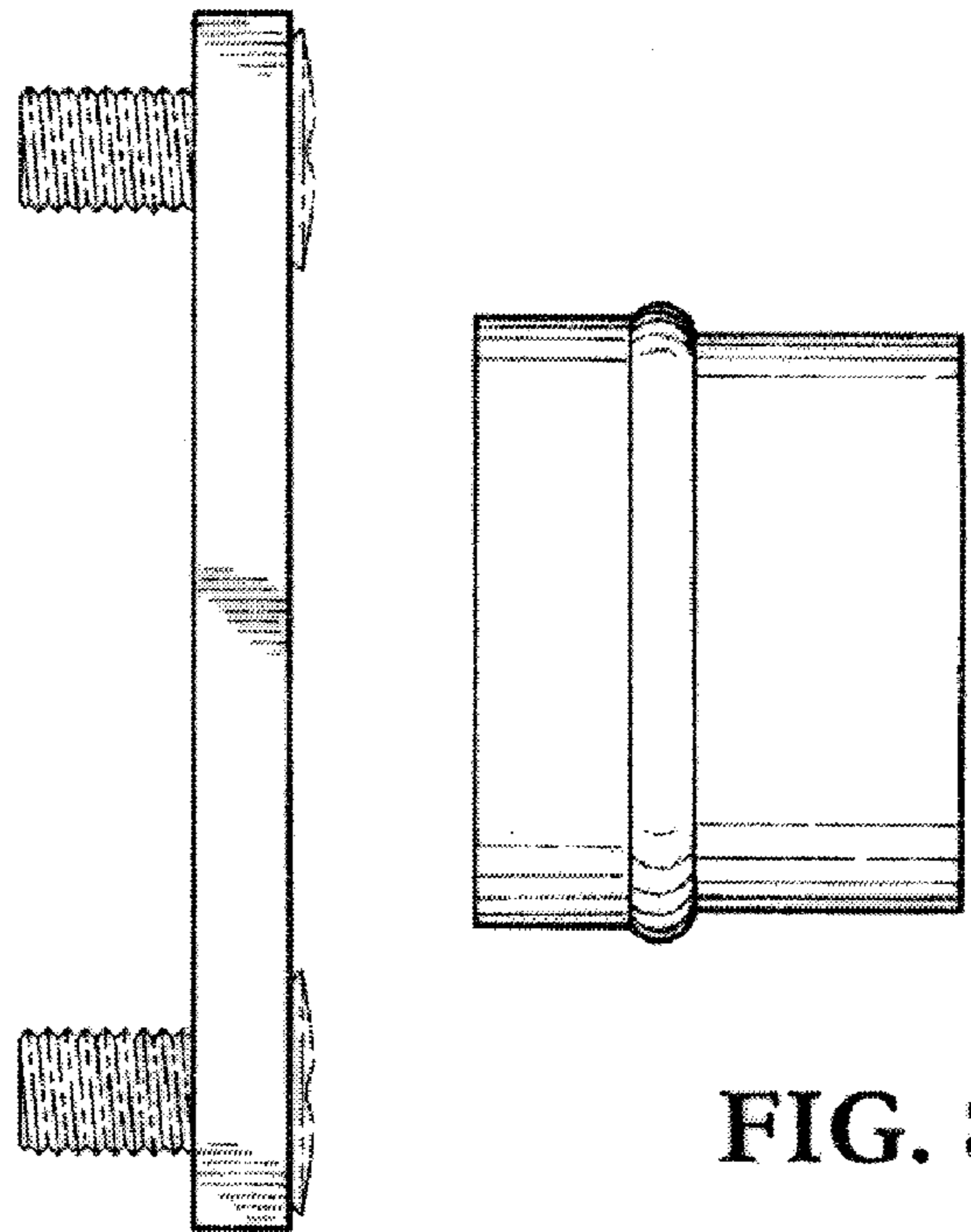


FIG. 7



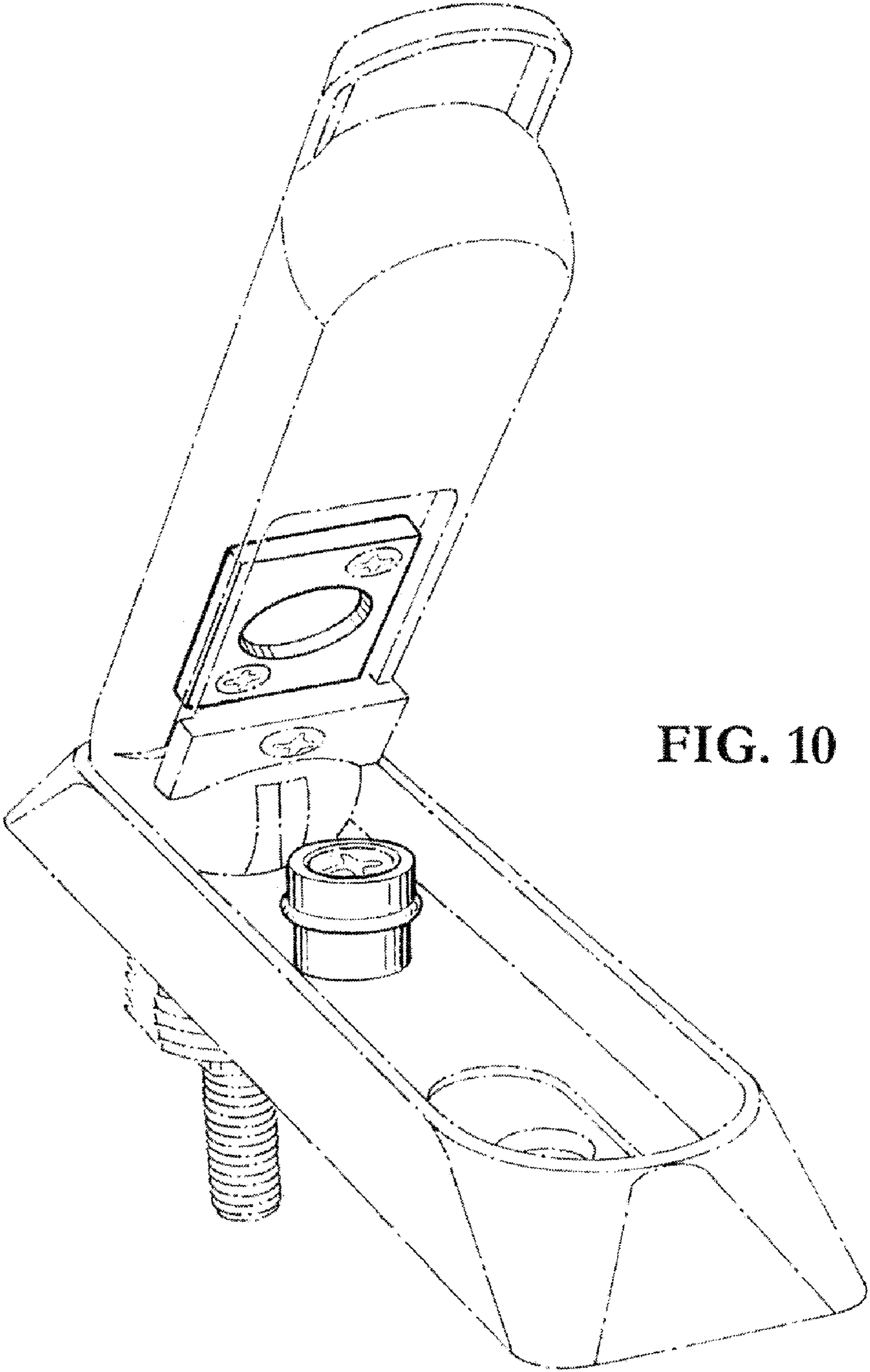


FIG. 10