



US00D607303S

(12) **United States Design Patent**  
**Kim et al.**

(10) **Patent No.:** **US D607,303 S**  
(45) **Date of Patent:** **\*\* Jan. 5, 2010**

(54) **DOOR LOCK**

(75) Inventors: **Jae-Hoon Kim**, Seoul (KR); **Boo-Mee Yoo**, Cheonan-si (KR)

(73) Assignee: **Seoul Commtech Co., Ltd.**, Seoul (KR)

(\*\*) Term: **14 Years**

(21) Appl. No.: **29/335,350**

(22) Filed: **Apr. 14, 2009**

(30) **Foreign Application Priority Data**

Oct. 20, 2008 (KR) ..... 30-2008-0044994

(51) **LOC (9) Cl.** ..... **08-07**

(52) **U.S. Cl.** ..... **D8/331**

(58) **Field of Classification Search** ..... D8/330-332,  
D8/339, 343, 346, 334, 300-302; 70/57.1,  
70/58, 107, 141, 210, 217, 218, 221-224,  
70/277-283.1, 472; 292/336.3

See application file for complete search history.

(56) **References Cited**

**U.S. PATENT DOCUMENTS**

3,187,828 A \* 6/1965 Ward et al. .... 177/157  
5,658,026 A \* 8/1997 Nigro et al. .... 292/336.3  
6,145,353 A \* 11/2000 Doucet ..... 70/277  
D452,807 S \* 1/2002 Gartner ..... D8/330  
6,581,426 B2 \* 6/2003 Bates et al. .... 70/278.7

6,725,693 B2 \* 4/2004 Yu et al. .... 70/107  
6,758,070 B2 \* 7/2004 Yu et al. .... 70/107  
D495,943 S \* 9/2004 Hentschel et al. .... D8/330  
D501,131 S \* 1/2005 Oskamp et al.  
D502,859 S \* 3/2005 Peng et al. .... D8/331  
D512,899 S \* 12/2005 Oskamp et al. .... D8/331  
D533,762 S \* 12/2006 Wright et al. .... D8/330  
D533,763 S \* 12/2006 Wright et al. .... D8/330

\* cited by examiner

*Primary Examiner*—Prabhakar Deshmukh

(74) *Attorney, Agent, or Firm*—Muncy, Geissler, Olds & Lowe, PLLC

(57) **CLAIM**

The ornamental design for a door lock, as shown and described.

**DESCRIPTION**

FIG. 1 is a top and front perspective view of a door lock, showing my new design;

FIG. 2 is a front elevational view thereof;

FIG. 3 is a rear elevational view thereof;

FIG. 4 is a left side elevational view thereof;

FIG. 5 is a right side elevational view thereof;

FIG. 6 is a top plan view thereof; and,

FIG. 7 is a bottom plan view thereof.

**1 Claim, 4 Drawing Sheets**

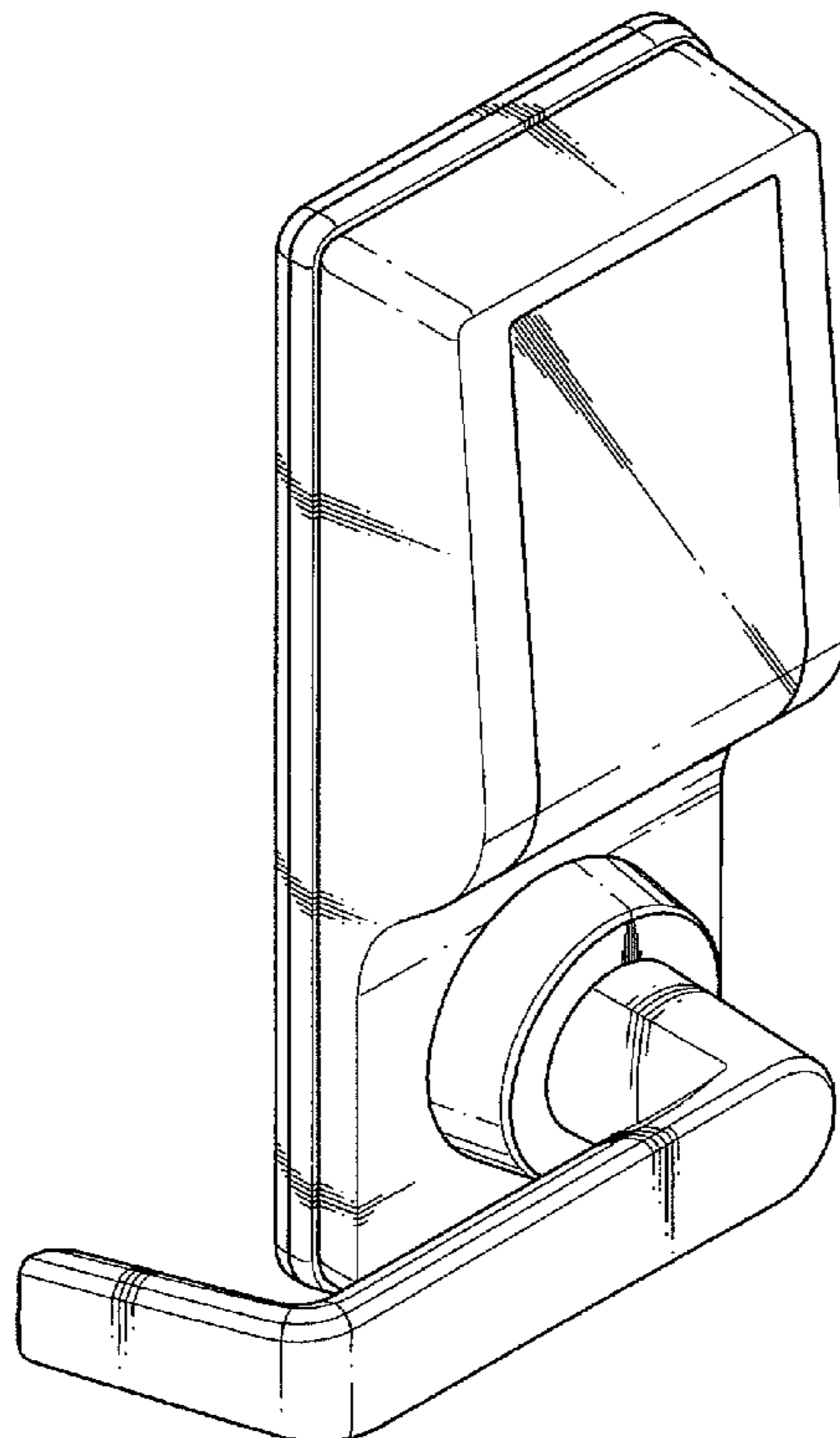


FIG. 1

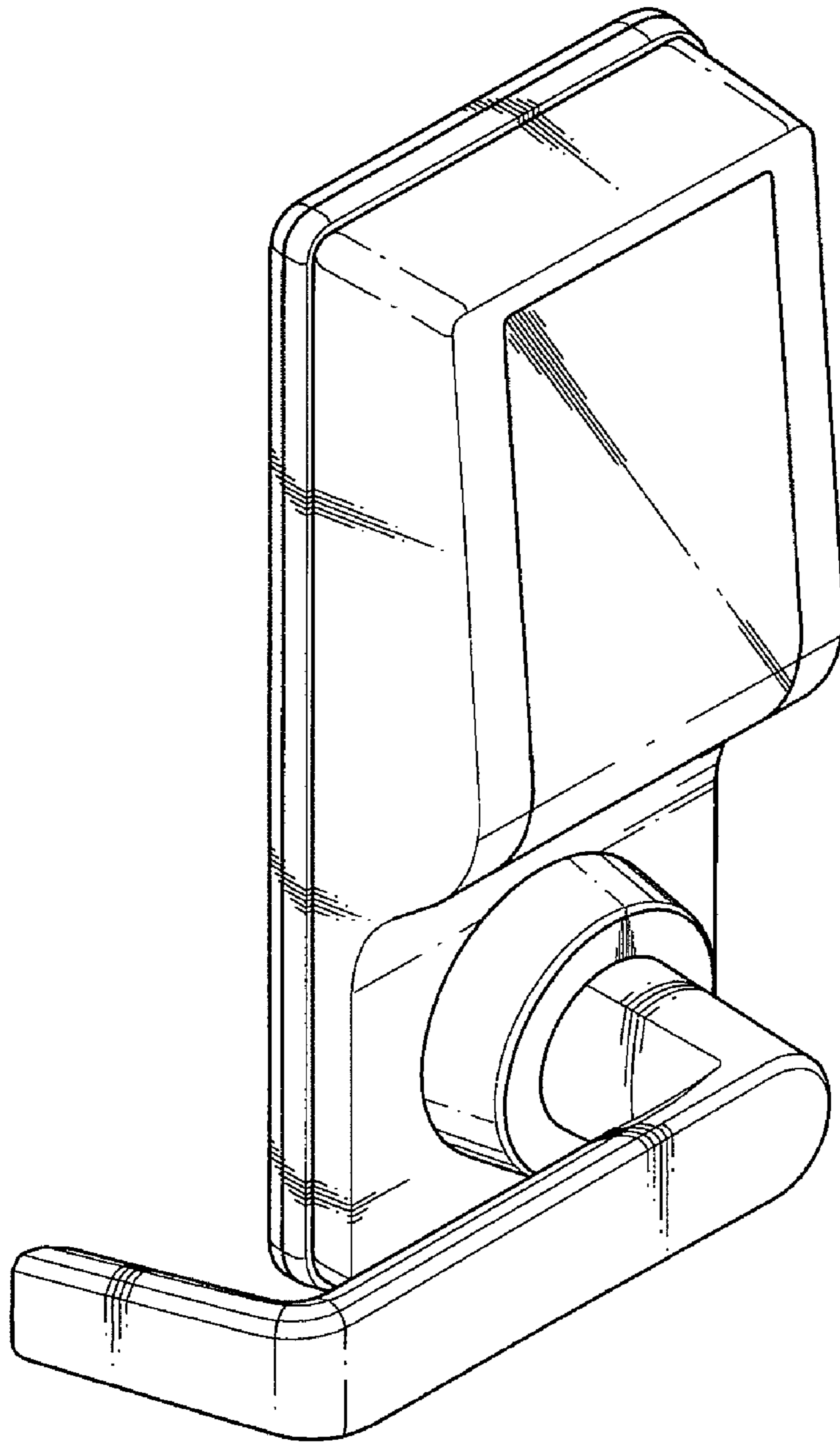


FIG.2

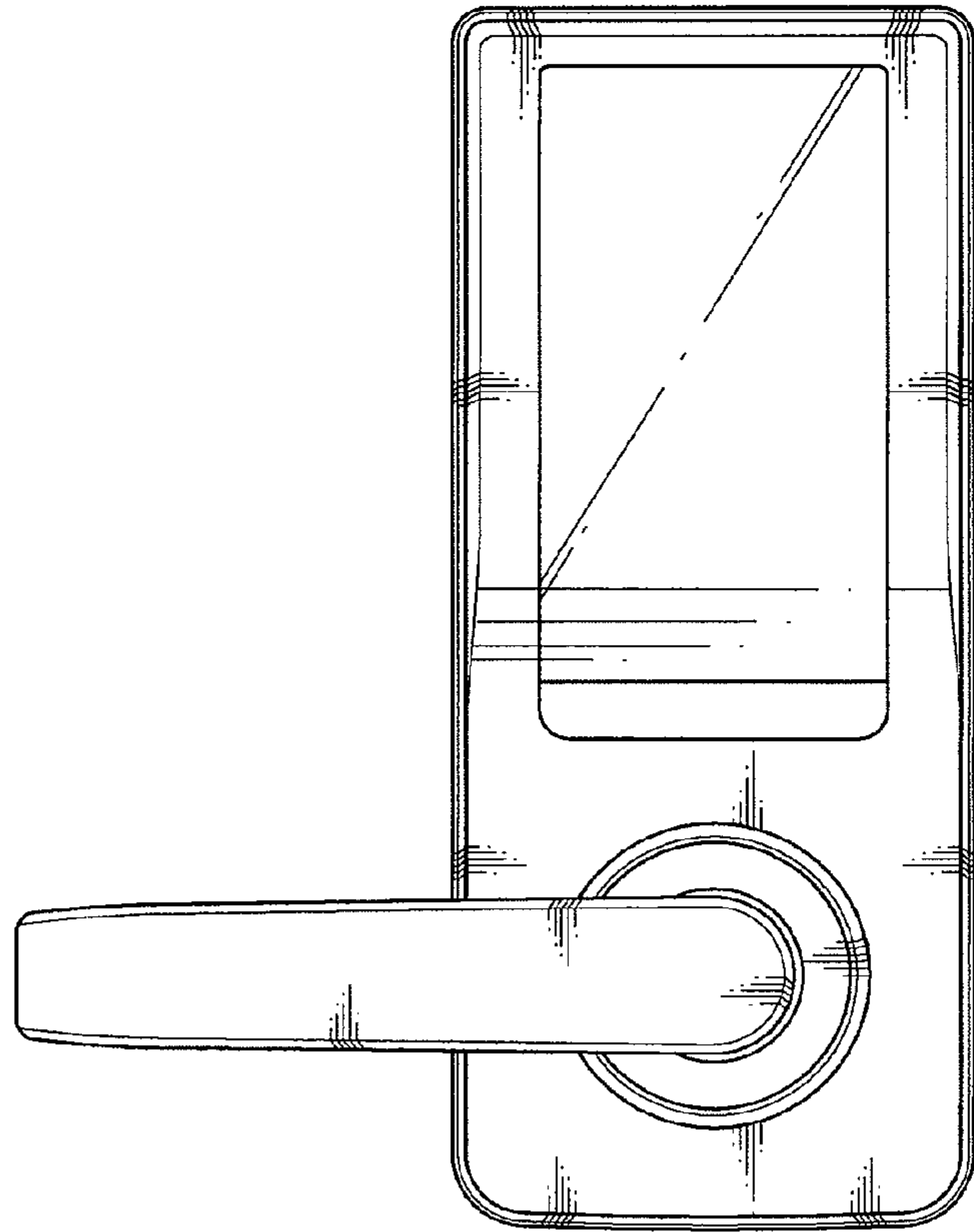


FIG.3

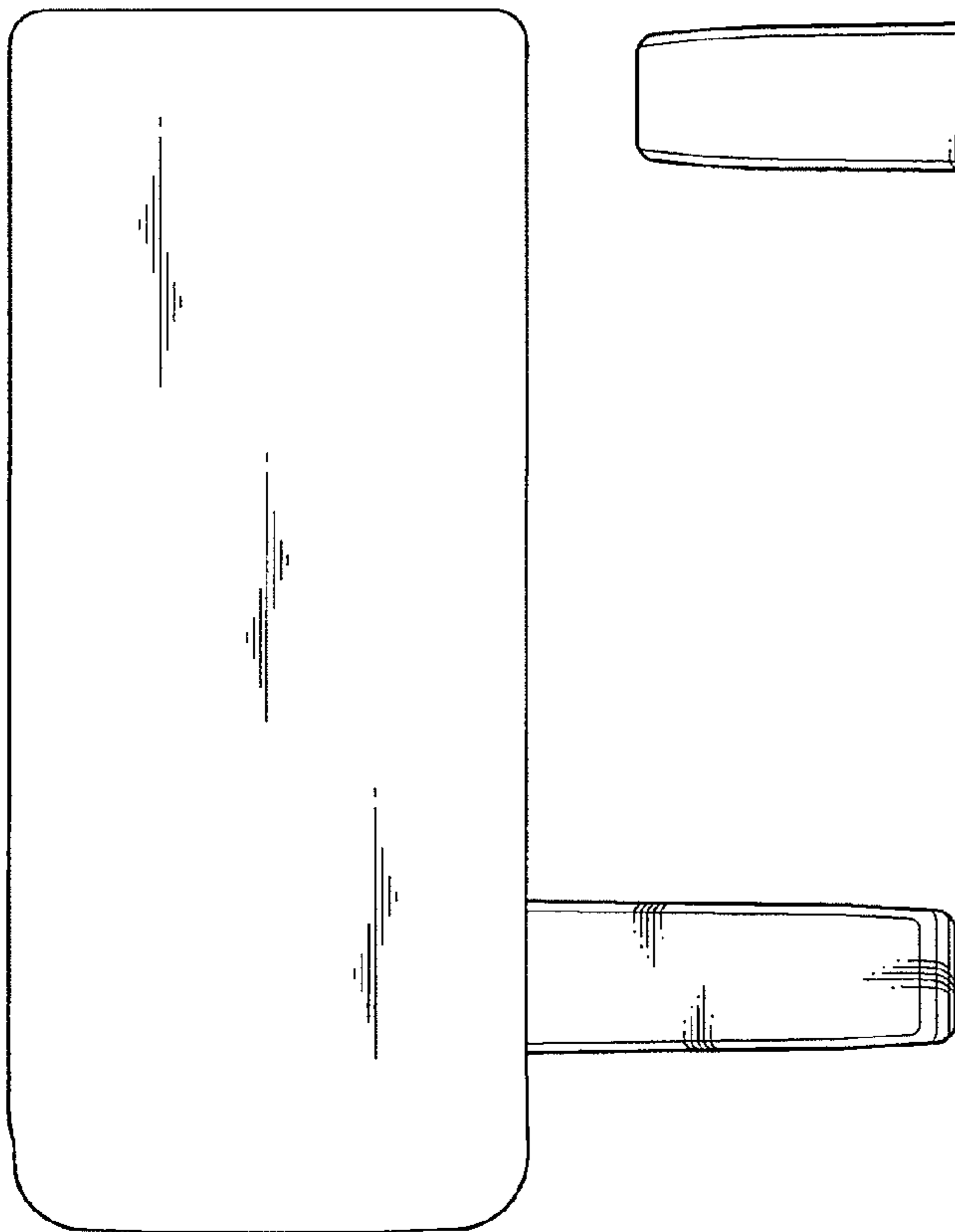


FIG. 4

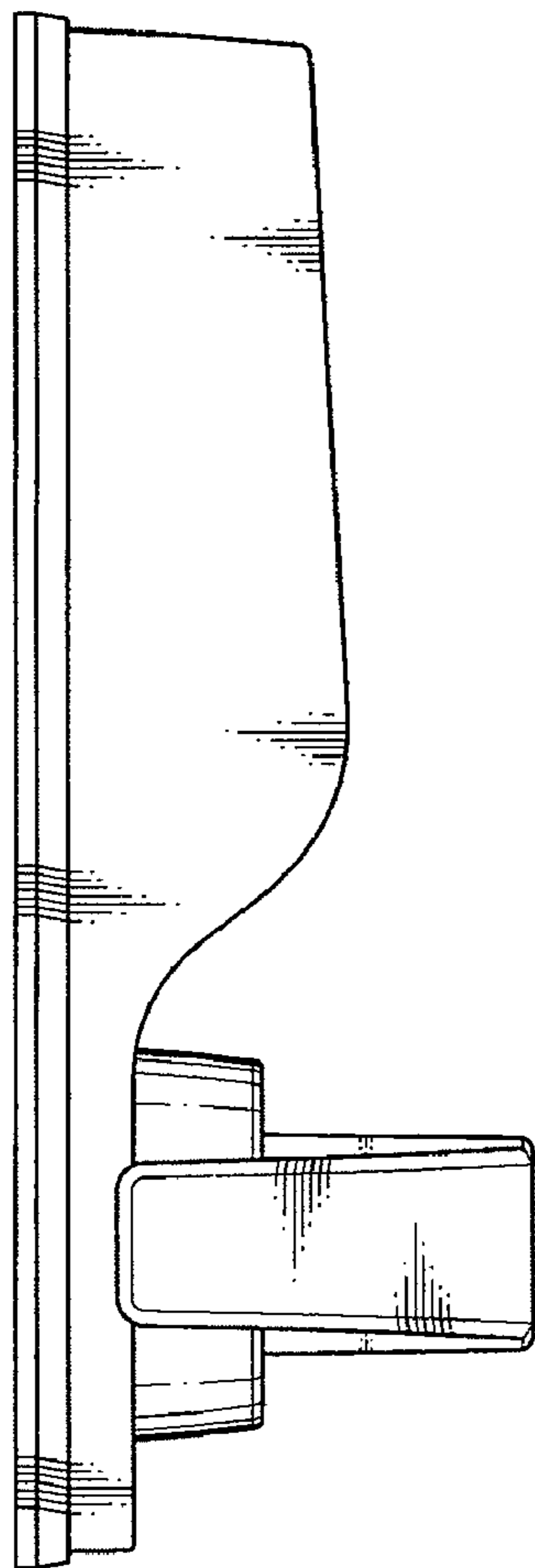


FIG. 5

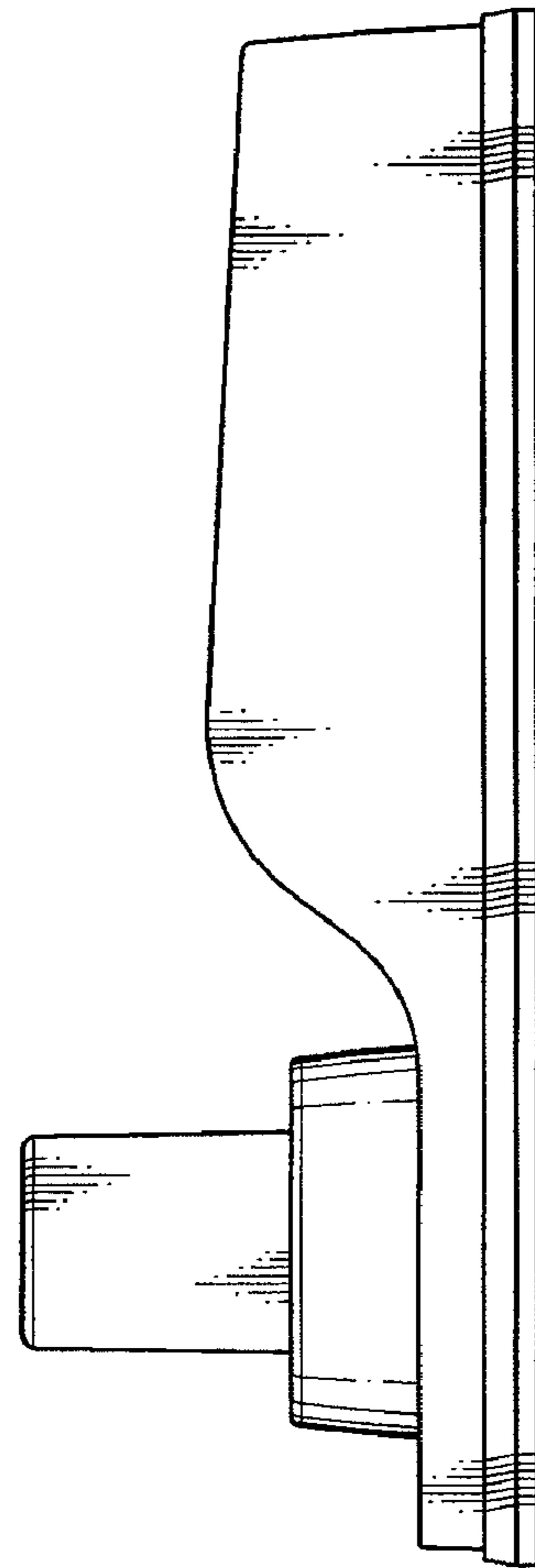


FIG. 6

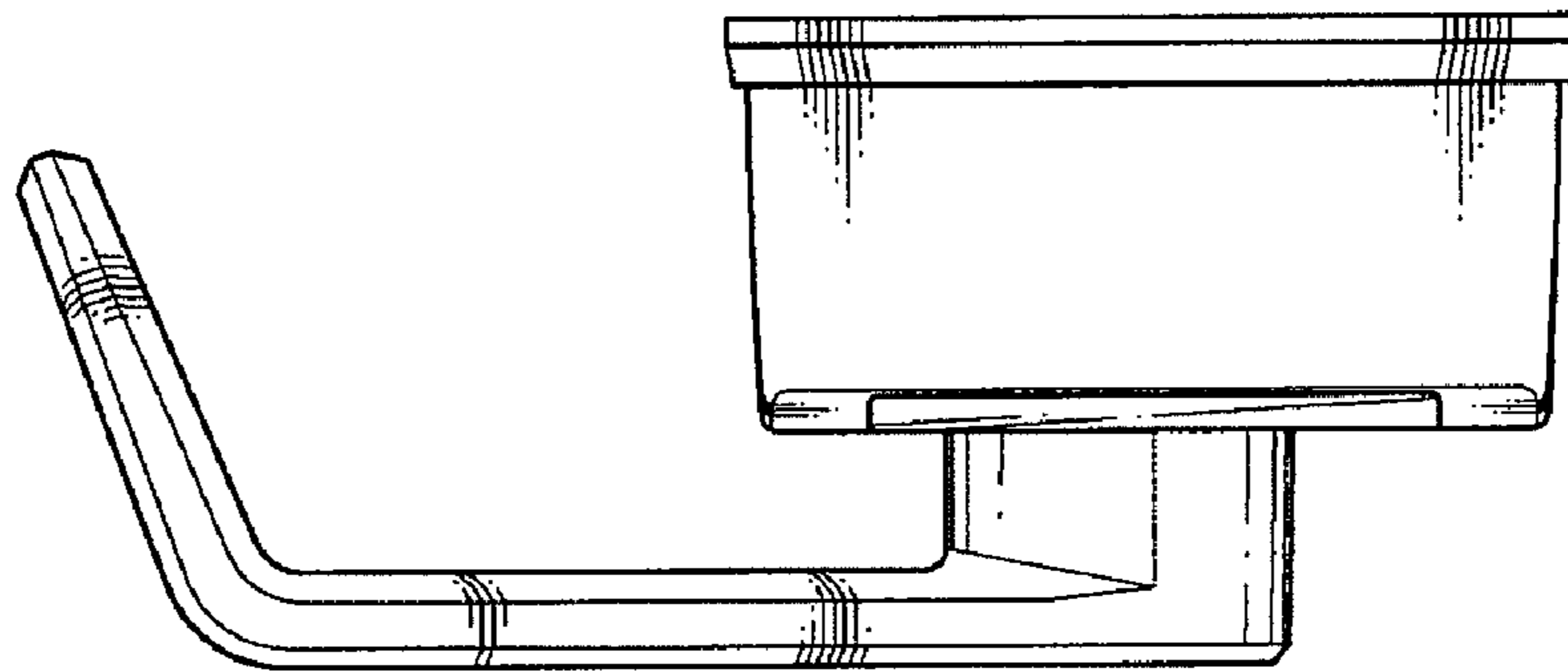


FIG. 7

