



US00D607302S

(12) **United States Design Patent**
Kim et al.

(10) **Patent No.:** **US D607,302 S**
(45) **Date of Patent:** **** Jan. 5, 2010**

(54) **DOOR LOCK**

(75) Inventors: **Jae-Hoon Kim**, Seoul (KR); **Boo-Mee Yoo**, Cheonan-si (KR)

(73) Assignee: **Seoul Commtech Co., Ltd.**, Seoul (KR)

(**) Term: **14 Years**

(21) Appl. No.: **29/335,348**

(22) Filed: **Apr. 14, 2009**

(30) **Foreign Application Priority Data**

Oct. 20, 2008 (KR) 30-2008-0044993

(51) **LOC (9) Cl.** **08-07**

(52) **U.S. Cl.** **D8/331**

(58) **Field of Classification Search** D8/330-332,
D8/339, 343, 336, 334, 300-302; 70/57.1,
70/58, 107, 141, 210, 217, 218, 221-224,
70/277-283.1, 472; 292/336.3

See application file for complete search history.

(56) **References Cited**

U.S. PATENT DOCUMENTS

3,187,828 A * 6/1965 Ward et al. 177/157
5,658,026 A * 8/1997 Nigro et al. 292/336.3
6,145,353 A * 11/2000 Doucet 70/277
D452,807 S * 1/2002 Gartner D8/330
6,581,426 B2 * 6/2003 Bates et al. 70/278.7

6,725,693 B2 * 4/2004 Yu et al. 70/107
6,758,070 B2 * 7/2004 Yu et al. 70/107
D495,943 S * 9/2004 Hentschel et al. D8/330
D501,131 S * 1/2005 Oskamp et al. D8/331
D502,859 S * 3/2005 Peng et al. D8/331
D512,899 S * 12/2005 Oskamp et al. D8/331
D533,762 S * 12/2006 Wright et al. D8/330
D533,763 S * 12/2006 Wright et al. D8/330

* cited by examiner

Primary Examiner—Prabhakar Deshmukh

(74) *Attorney, Agent, or Firm*—Muncy, Geissler, Olds & Lowe, PLLC

(57) **CLAIM**

The ornamental design for a door lock, as shown and described.

DESCRIPTION

FIG. 1 is a top and front perspective view of a door lock, showing my new design;

FIG. 2 is a front elevational view thereof;

FIG. 3 is a rear elevational view thereof;

FIG. 4 is a left side elevational view thereof;

FIG. 5 is a right side elevational view thereof;

FIG. 6 is a top plan view thereof; and,

FIG. 7 is a bottom plan view thereof.

1 Claim, 4 Drawing Sheets

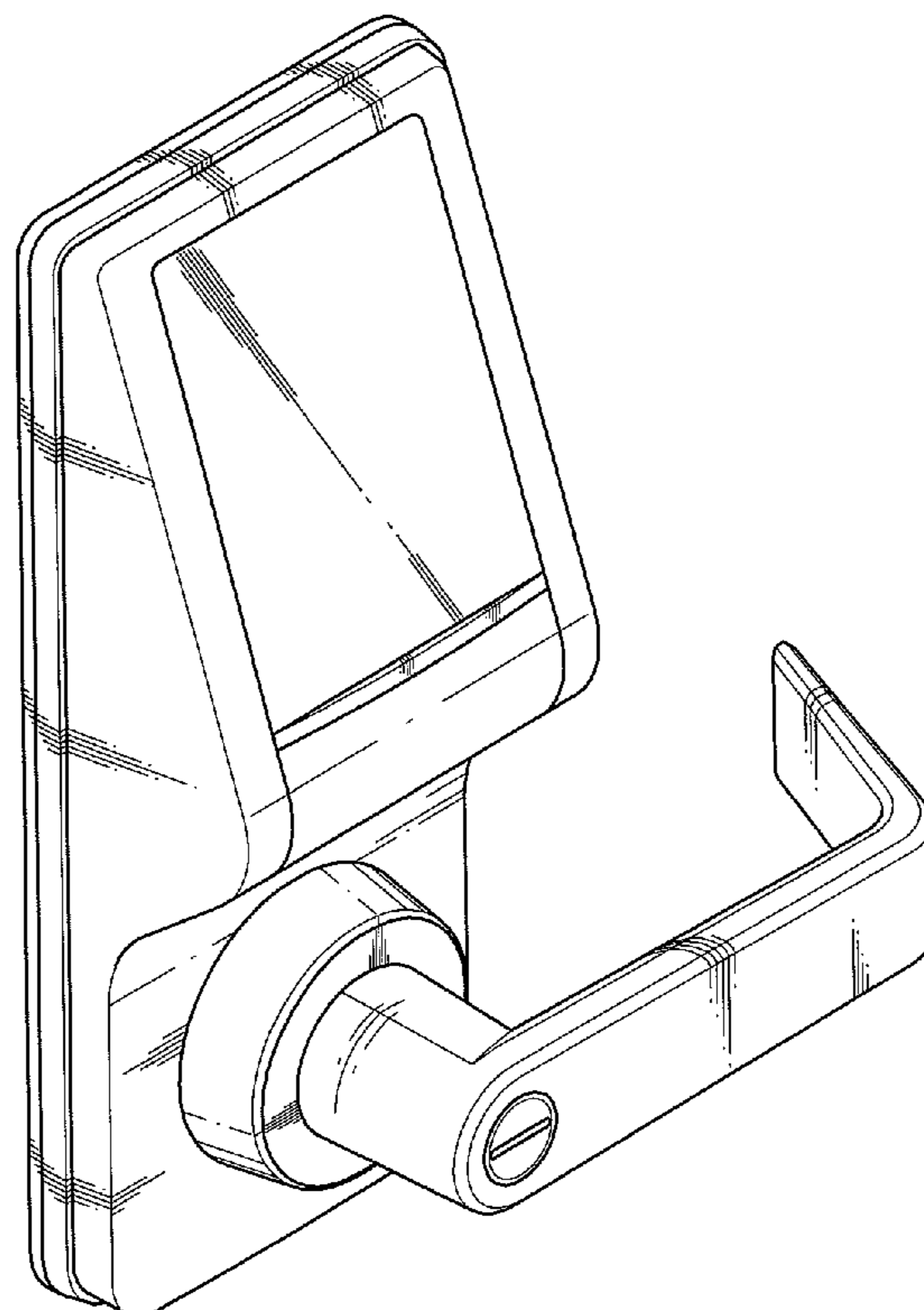


FIG. 1

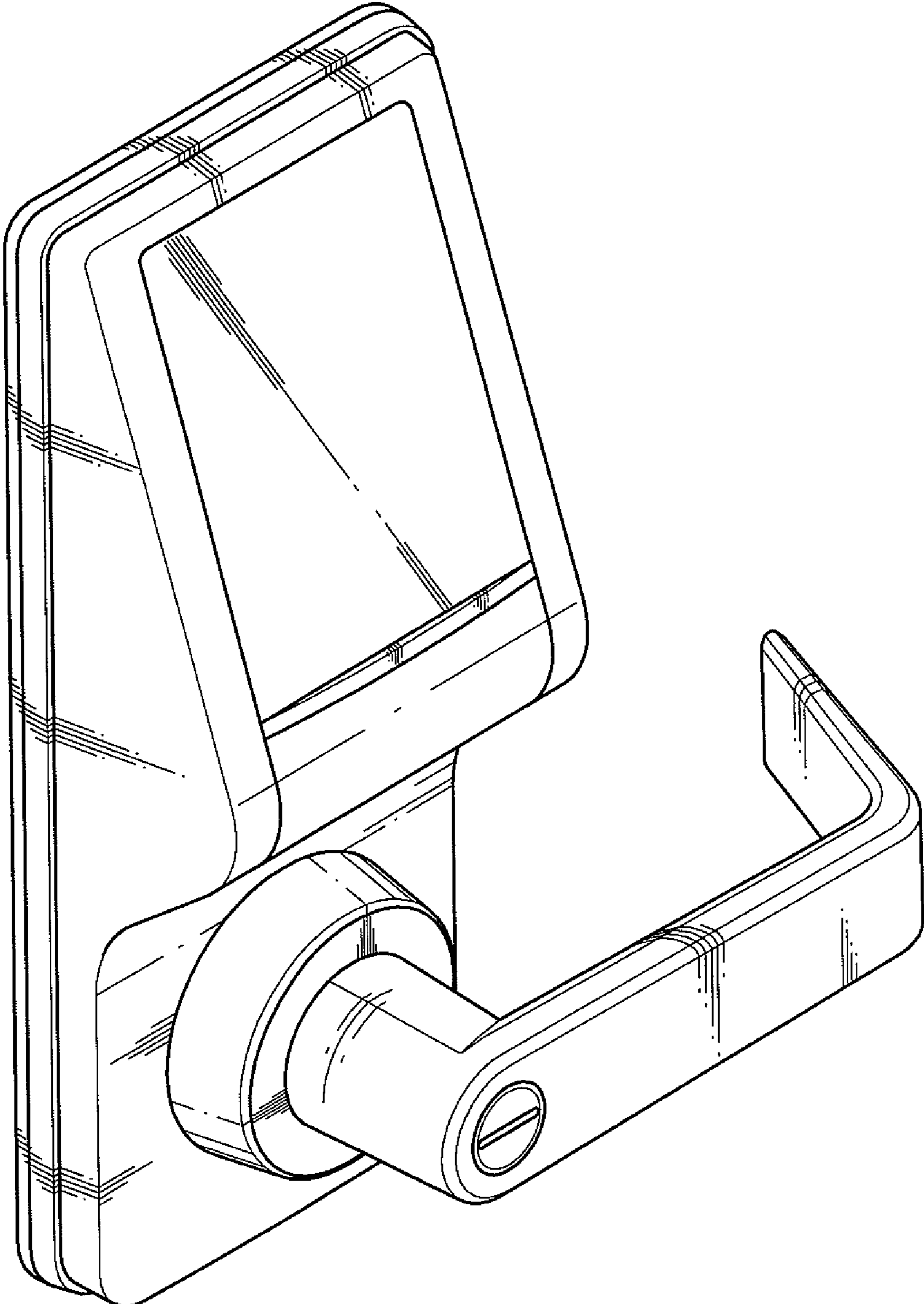


FIG. 2

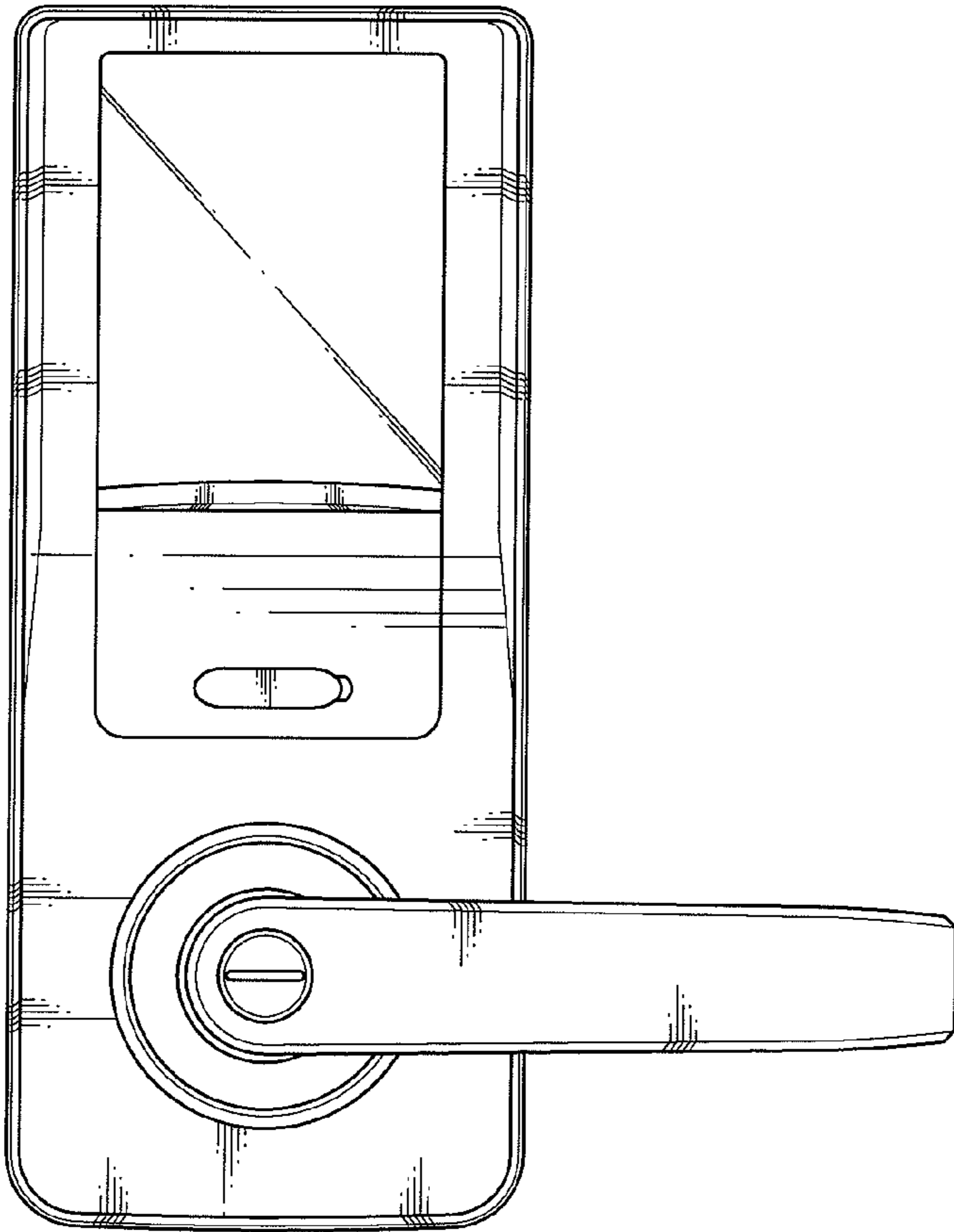


FIG. 3

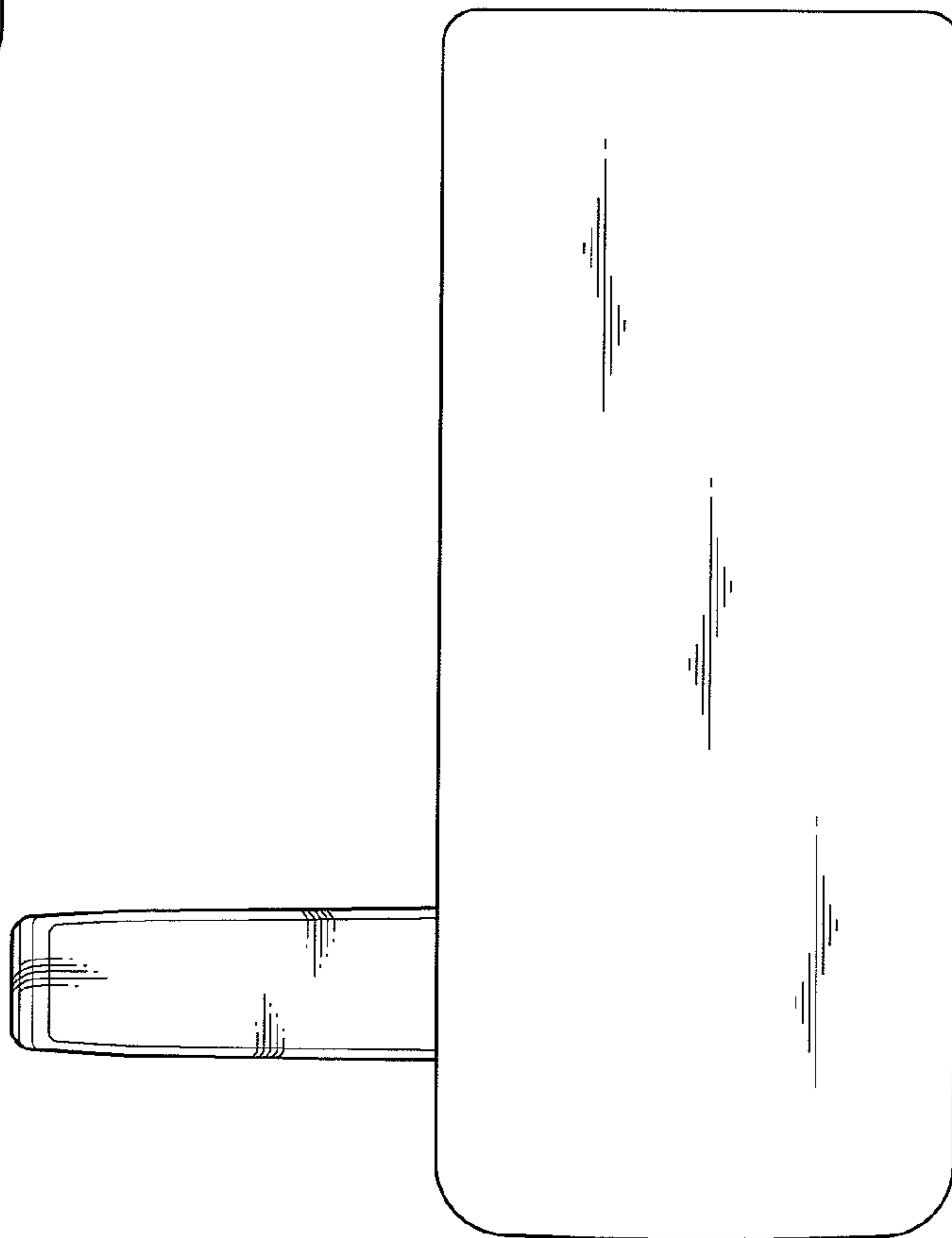


FIG. 4

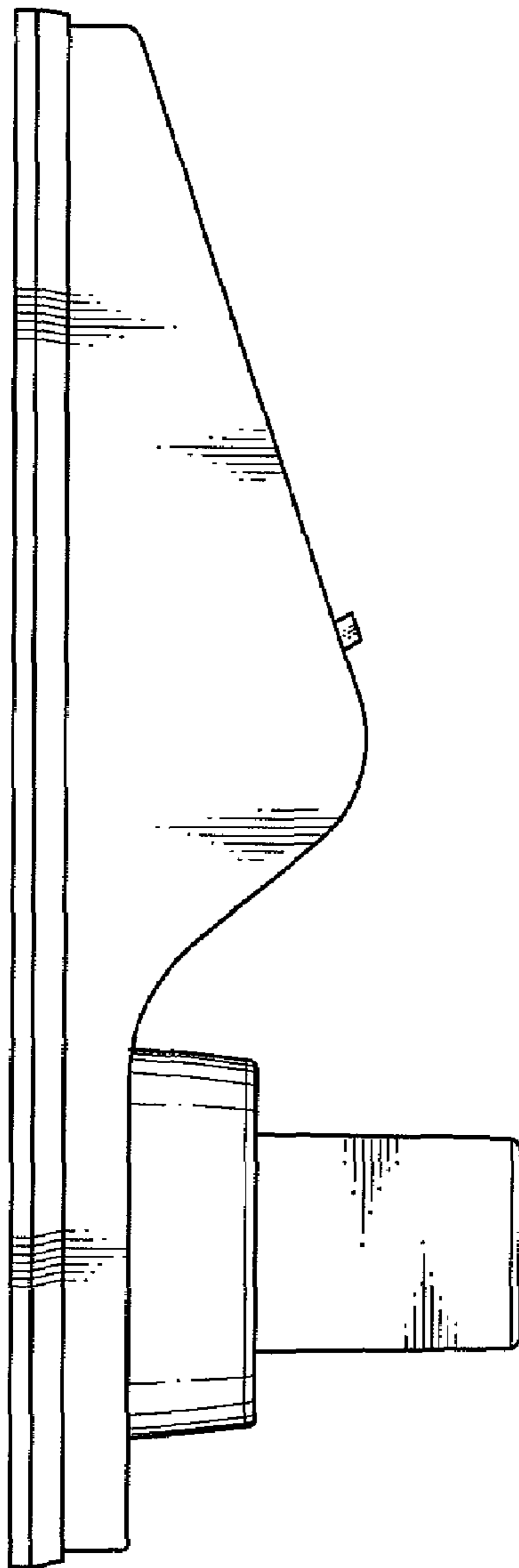


FIG. 5

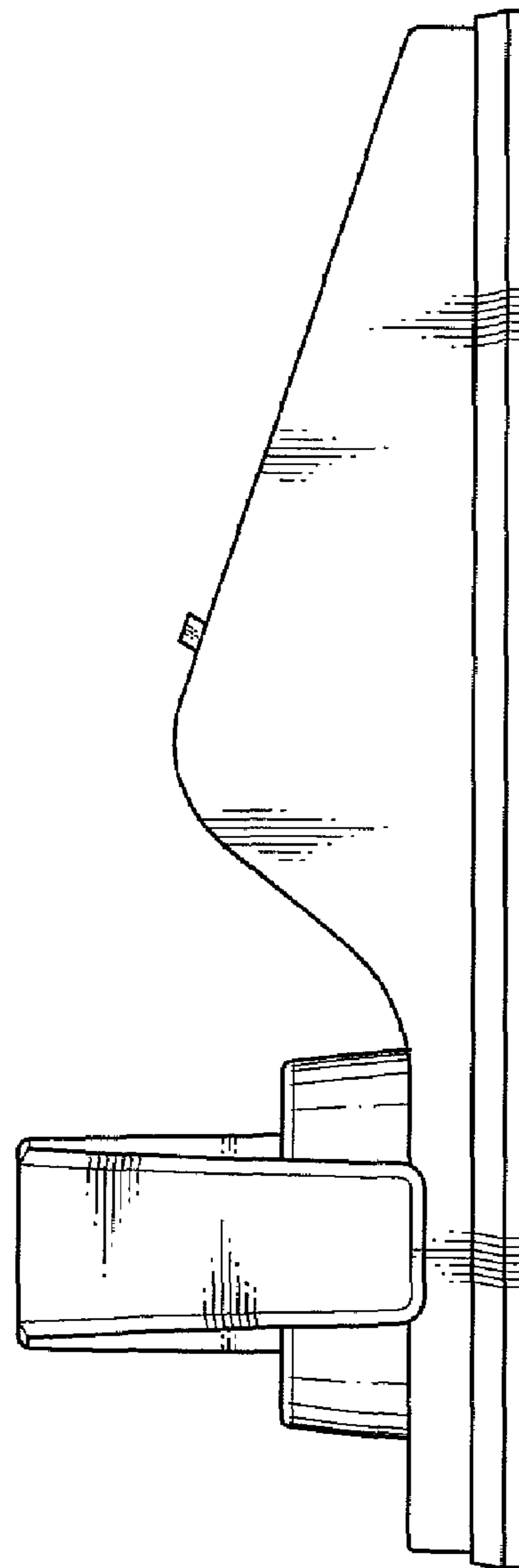


FIG. 6

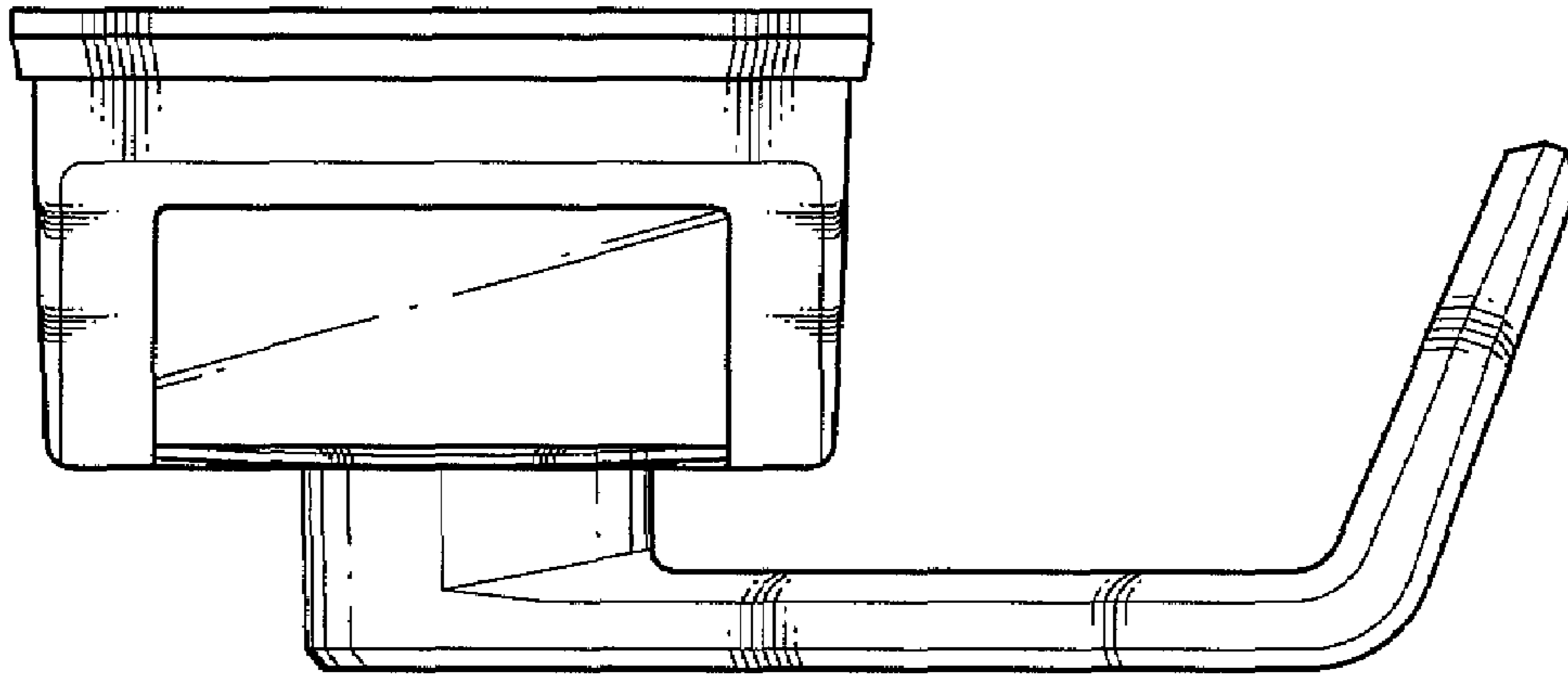


FIG. 7

