



US00D607301S

(12) **United States Design Patent**  
**Chen**

(10) **Patent No.:** **US D607,301 S**

(45) **Date of Patent:** **\*\* Jan. 5, 2010**

(54) **BOLT SEAL**

(76) **Inventor:** **Chee Ming Chen**, No. 2, Jalan Puncak Perdana 2A, Perdana Heights, Taman Cheras Perdana, Cheras, Selangor Darul Ehsan (MY) 43200

(\*\*) **Term:** **14 Years**

(21) **Appl. No.:** **29/281,734**

(22) **Filed:** **Jun. 29, 2007**

(30) **Foreign Application Priority Data**

May 23, 2007 (MY) ..... 07-00698-0102

(51) **LOC (9) Cl.** ..... **08-07**

(52) **U.S. Cl.** ..... **D8/331**

(58) **Field of Classification Search** ..... D8/331,  
D8/330, 332-348; 70/34, 50, 53, 56; 292/137,  
292/145, 150, 151, 162, 307, 318, 319, 327;  
411/5, 143, 326, 353, 368, 374, 910

See application file for complete search history.

(56) **References Cited**

**U.S. PATENT DOCUMENTS**

1,803,803 A \* 5/1931 Kaufman ..... 470/11  
4,619,122 A \* 10/1986 Simpson ..... 70/34  
5,064,326 A \* 11/1991 Davis et al. .... 411/368  
5,127,687 A \* 7/1992 Guiler ..... 292/327  
D345,291 S \* 3/1994 Brown ..... D8/331

5,749,610 A \* 5/1998 Brammall et al. .... 292/327  
5,878,604 A \* 3/1999 Stone et al. .... 70/56  
D445,667 S \* 7/2001 Johnson ..... D8/341  
6,464,269 B1 \* 10/2002 Wilhelm et al. .... 292/307 R  
6,519,982 B1 \* 2/2003 Brammall et al. .... 70/56  
6,550,830 B2 \* 4/2003 Kueznel ..... 292/327

\* cited by examiner

*Primary Examiner*—Stella M. Reid

*Assistant Examiner*—Derrick Holland

(74) *Attorney, Agent, or Firm*—Dicke, Billig & Czaja, PLLC

(57) **CLAIM**

I claim the ornamental design for a bolt seal, as shown and described.

**DESCRIPTION**

FIG. 1 is a perspective view of a bolt seal showing my new design;

FIG. 2 is a front elevation view thereof;

FIG. 3 is a back elevation view thereof;

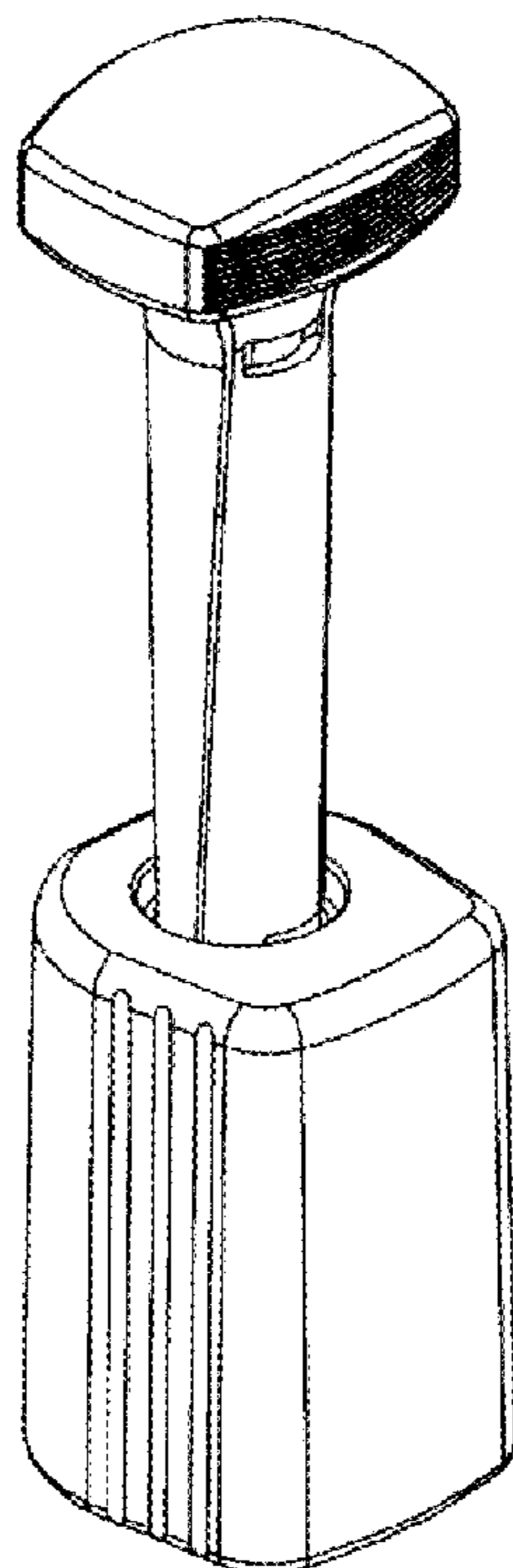
FIG. 4 is a left side elevation view thereof, the right side being a mirror image;

FIG. 5 is a top plan view thereof; and,

FIG. 6 is a bottom plan view thereof.

The broken lines shown represent unclaimed subject matter and form no part of the claimed design.

**1 Claim, 1 Drawing Sheet**



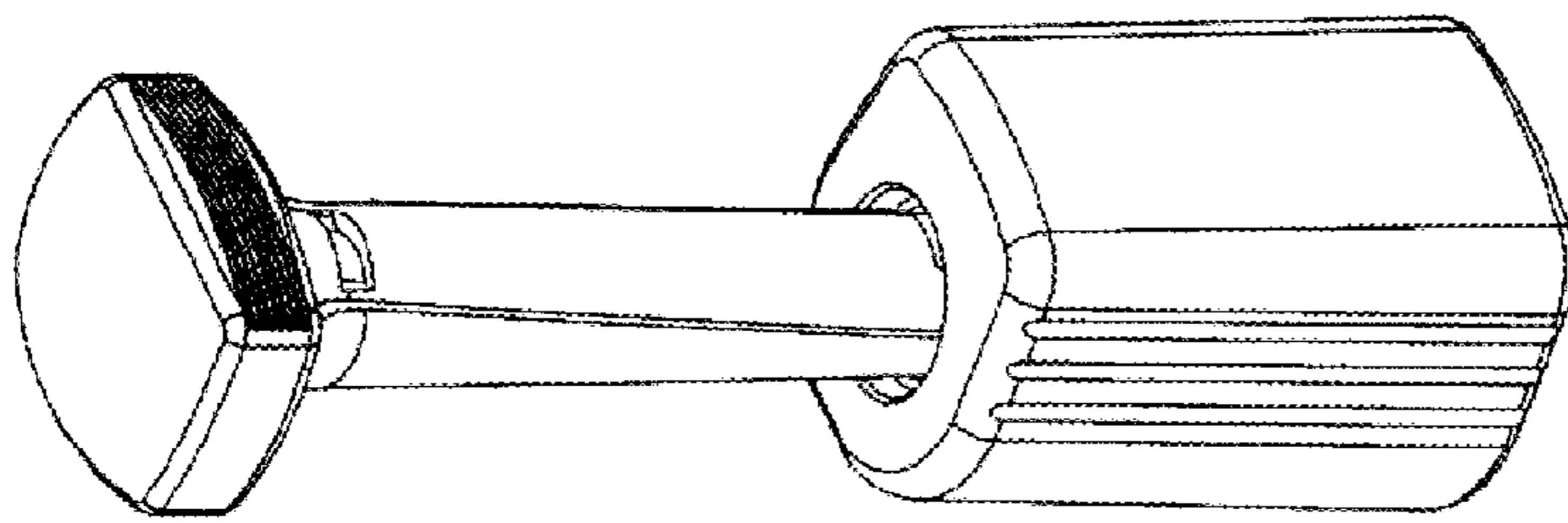


Fig. 1

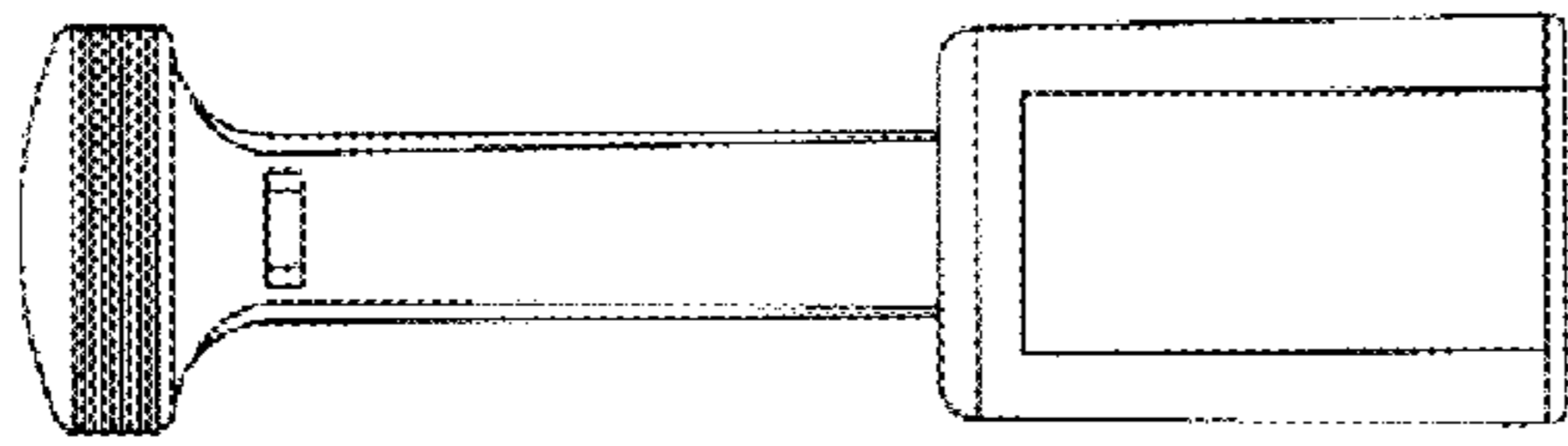


Fig. 2

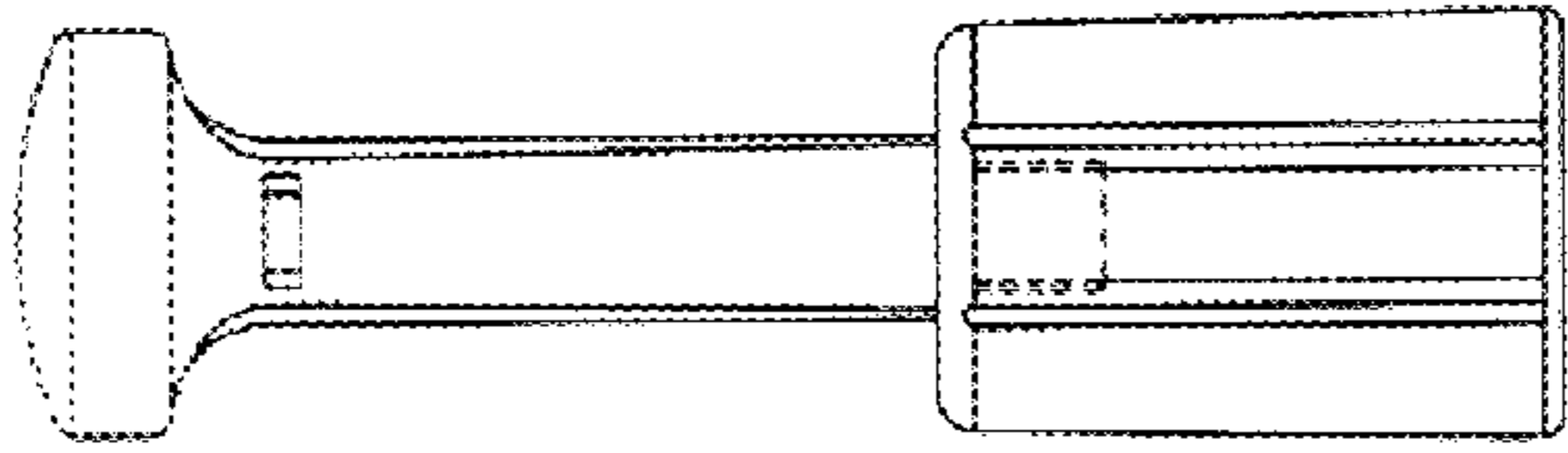


Fig. 3

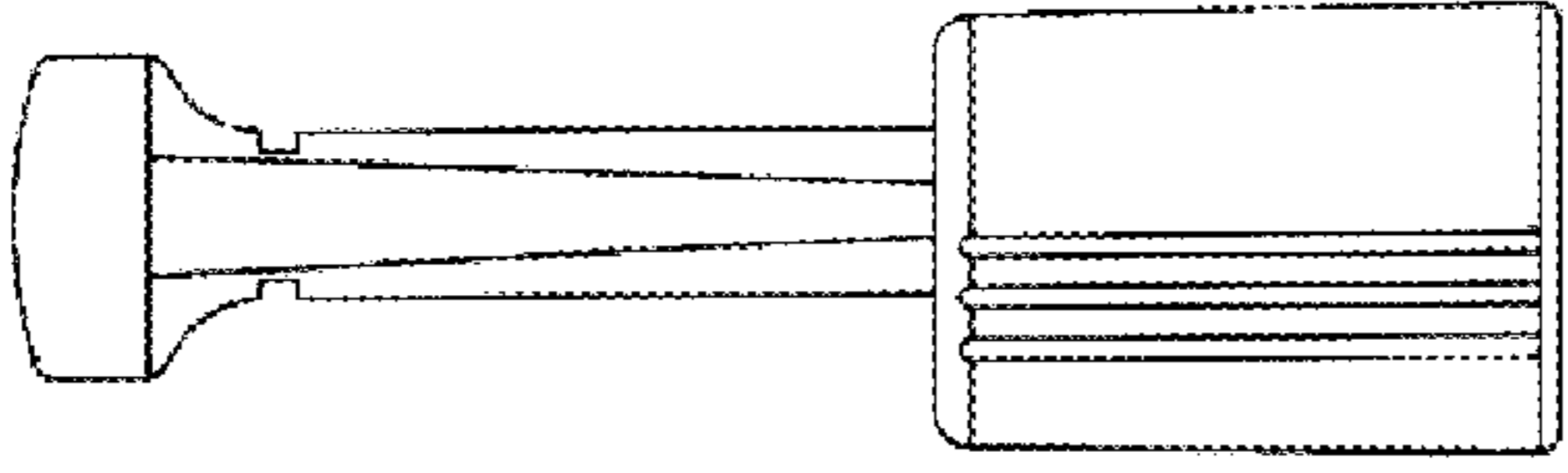


Fig. 4

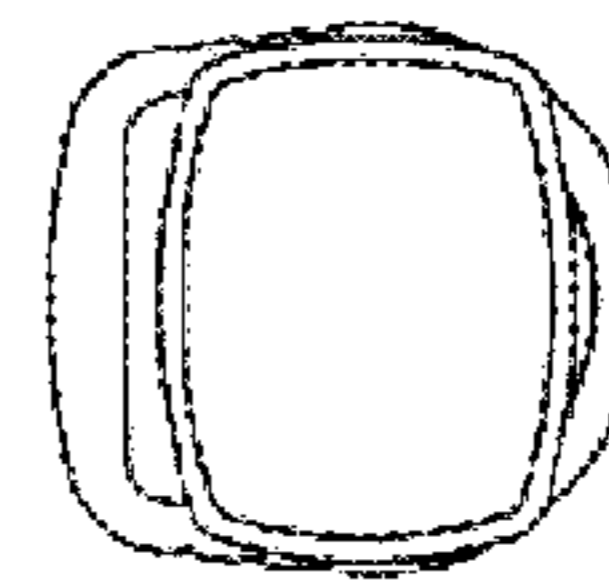


Fig. 5

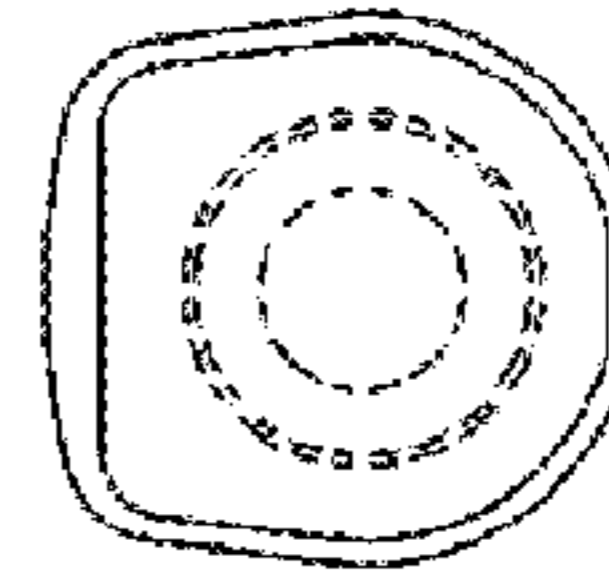


Fig. 6