



US00D607299S

(12) **United States Design Patent**
Albertson

(10) **Patent No.:** **US D607,299 S**

(45) **Date of Patent:** **** Jan. 5, 2010**

(54) **COMBINED HAMMER, ADJUSTABLE JAW
WRENCH AND SCREW DRIVER**

(76) **Inventor:** **Robert V. Albertson**, S. 2210 Highway
35, Alma, WI (US) 54610

(**) **Term:** **14 Years**

(21) **Appl. No.:** **29/315,248**

(22) **Filed:** **Jun. 9, 2009**

(51) **LOC (9) Cl.** **08-05**

(52) **U.S. Cl.** **D8/105; D8/21**

(58) **Field of Classification Search** D8/4,
D8/5, 51-56, 58, 70, 71, 81, 104-107; 81/385,
81/405, 407-409, 411, 415-418, 326, 424.5,
81/427.5, 426, 427, 300, 318, 329, 342, 393;
D24/133, 148, 153; D22/149, 150; 7/125-128,
7/137

See application file for complete search history.

(56) **References Cited**

U.S. PATENT DOCUMENTS

| | | | | |
|---------------|---------|---------|-------|--------|
| D335,806 S * | 5/1993 | Visic | | D8/55 |
| D338,386 S * | 8/1993 | Frazer | | D8/105 |
| 5,280,659 A * | 1/1994 | Park | | 7/128 |
| 5,432,968 A * | 7/1995 | Beck | | 7/128 |
| D422,875 S * | 4/2000 | Beck | | D8/105 |
| D434,632 S * | 12/2000 | Tseng | | D8/105 |
| D438,439 S * | 3/2001 | Compton | | D8/26 |
| D442,842 S * | 5/2001 | Jaeyoul | | D8/105 |

| | | | | |
|-------------------|---------|----------------|-------|--------|
| D451,357 S * | 12/2001 | Tseng | | D8/105 |
| D468,987 S * | 1/2003 | Dreyfus et al. | | D8/105 |
| 6,725,486 B2 * | 4/2004 | Oka | | 7/127 |
| D503,322 S * | 3/2005 | Albertson | | D8/55 |
| D520,829 S * | 5/2006 | Albertson | | D8/55 |
| 7,334,502 B1 * | 2/2008 | Durkee | | 81/20 |
| D577,980 S * | 10/2008 | Mihaelson | | D8/105 |
| D582,234 S * | 12/2008 | Chiang | | D8/55 |
| 2003/0154552 A1 * | 8/2003 | Oka | | 7/127 |

* cited by examiner

Primary Examiner—Cathron C Brooks

Assistant Examiner—Austin Murphy

(74) *Attorney, Agent, or Firm*—Richard John Bartz

(57) **CLAIM**

The ornamental design for the combined hammer, adjustable jaw wrench and screw driver, as shown and described.

DESCRIPTION

FIG. 1 is a front elevational view of the combined hammer, adjustable jaw wrench and screw driver of my new design;

FIG. 2 is a rear elevational view thereof;

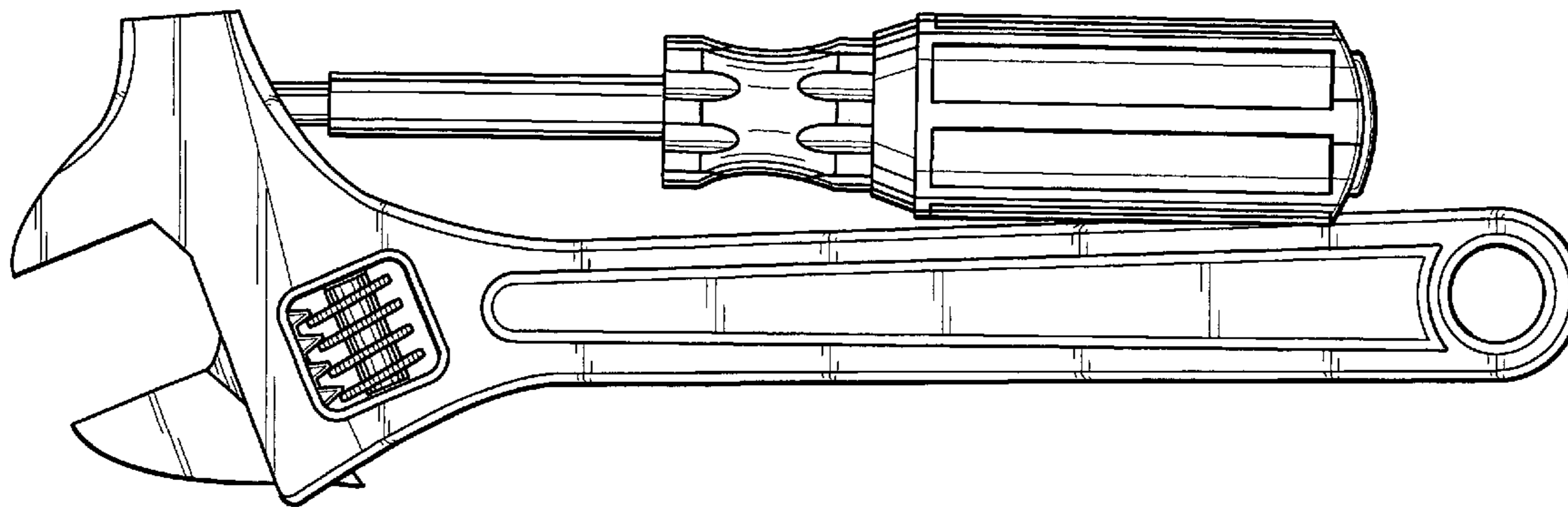
FIG. 3 is a top plan view thereof;

FIG. 4 is a bottom plan view thereof;

FIG. 5 is an end elevational view of the left end thereof; and,

FIG. 6 is an end elevational view of the right end thereof.

1 Claim, 3 Drawing Sheets



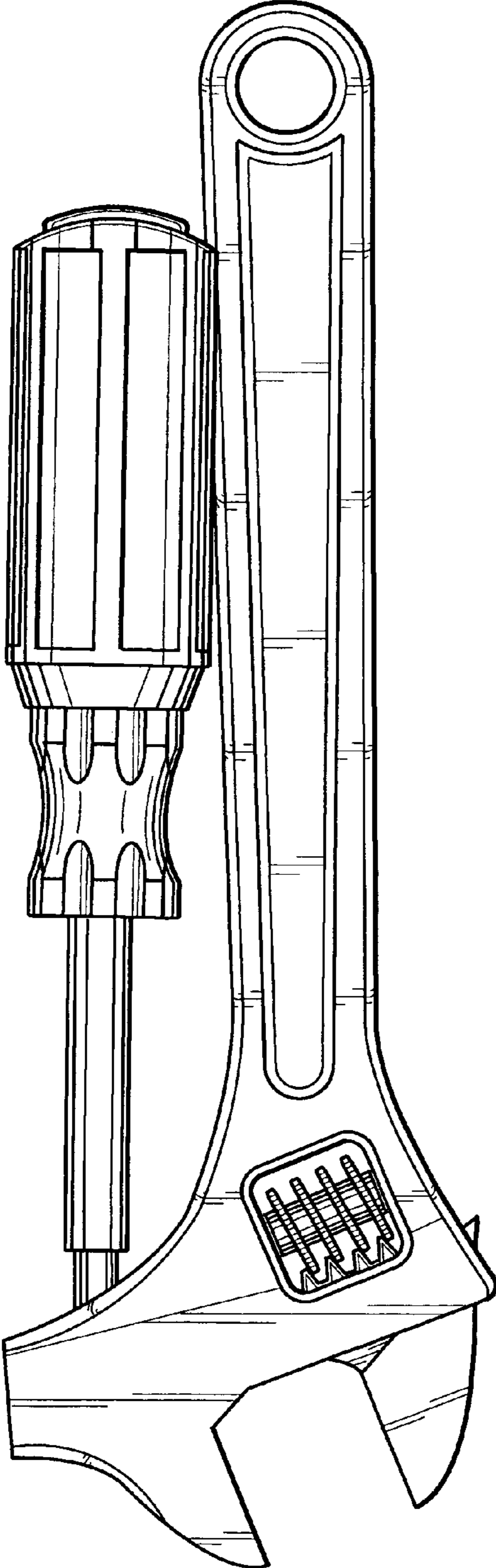


FIG. 1

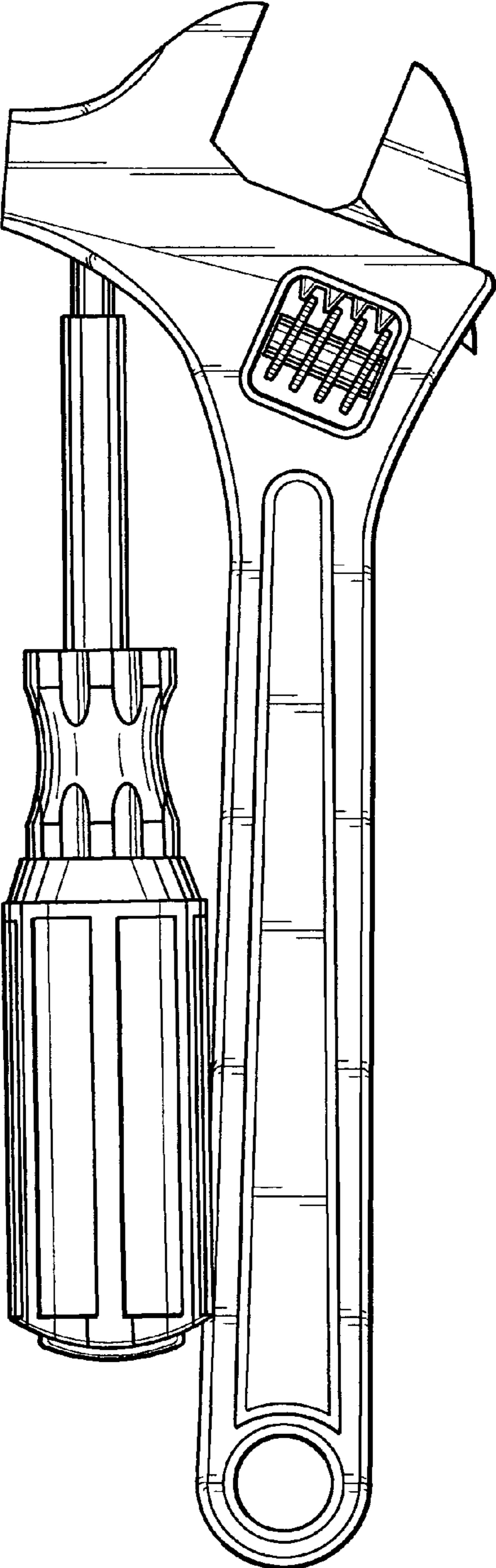


FIG. 2

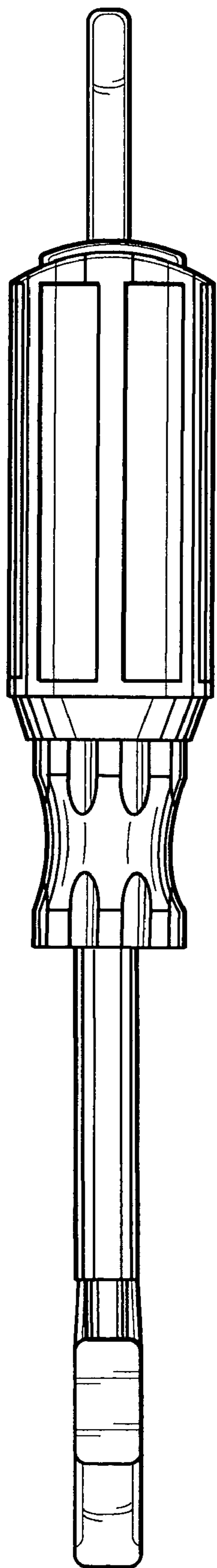


FIG. 3

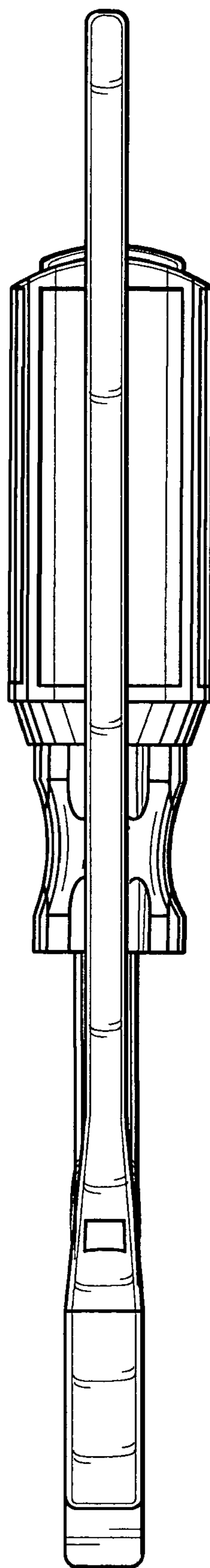


FIG. 4

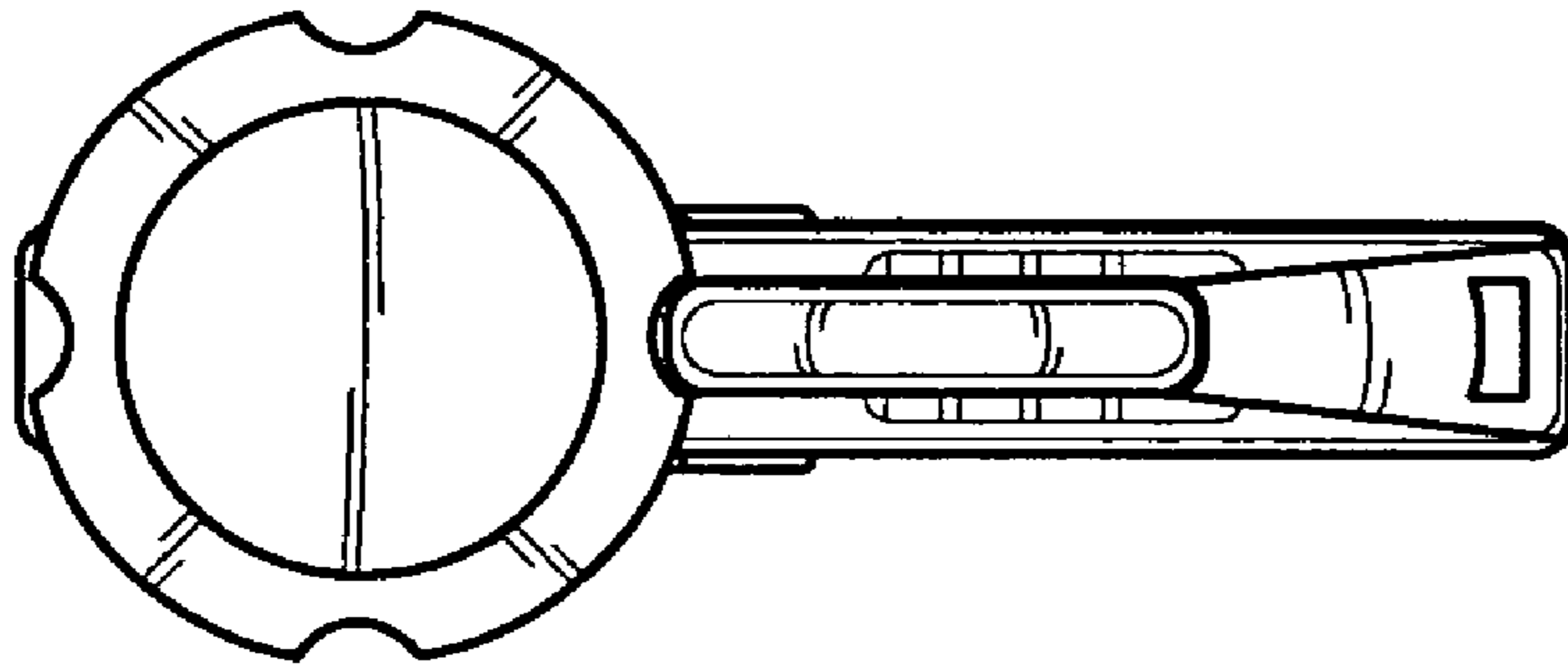


FIG. 6

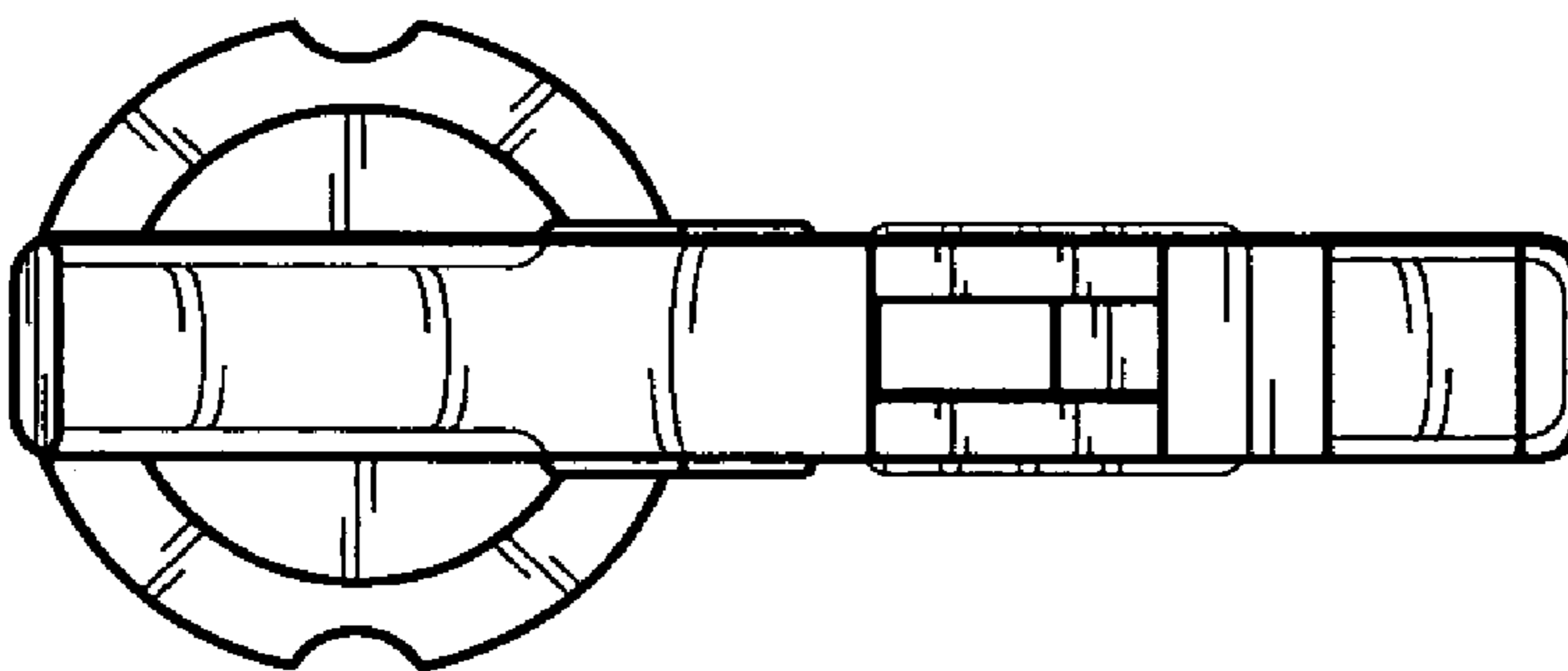


FIG. 5