



US00D607298S

(12) **United States Design Patent**  
**Lucas**

(10) **Patent No.:** **US D607,298 S**  
(45) **Date of Patent:** **\*\* Jan. 5, 2010**

(54) **GUT HOOK**

(75) Inventor: **Tommie Lucas**, Beaverton, OR (US)

(73) Assignee: **KAI U.S.A., Ltd.**, Tualatin, OR (US)

(\*\*) Term: **14 Years**

(21) Appl. No.: **29/331,433**

(22) Filed: **Jan. 26, 2009**

(51) **LOC (9) Cl.** ..... **08-03**

(52) **U.S. Cl.** ..... **D8/98**

(58) **Field of Classification Search** ..... D8/14,  
D8/16, 98, 99; 30/280, 289, 294, 314, 317  
See application file for complete search history.

(56) **References Cited**

**U.S. PATENT DOCUMENTS**

3,839,788	A *	10/1974	Addis	30/287
4,198,751	A *	4/1980	Egbert	30/286
D330,405	S *	10/1992	Luchak	D22/118
D352,440	S *	11/1994	Perigny	D8/98
D362,485	S *	9/1995	Hall	D22/118
D381,886	S *	8/1997	Domenico	D8/98
D437,197	S	2/2001	Ohno	D8/57
D468,985	S *	1/2003	Bradichanski	D8/98
6,722,969	B2 *	4/2004	Hendrickson	452/132
D501,126	S *	1/2005	Addis	D8/98
D502,526	S *	3/2005	Rae	D22/118
D519,798	S *	5/2006	Dallas	D8/20

**OTHER PUBLICATIONS**

Benchmade printout for 5 Rescue Hook, [http://www.benchmade.com/products/product\\_detail.aspx?model=5](http://www.benchmade.com/products/product_detail.aspx?model=5), retrieved Apr. 6, 2009, 2 pages.

Benchmade printout for 6 Rescue Hook, [http://www.benchmade.com/products/product\\_detail.aspx?model=6](http://www.benchmade.com/products/product_detail.aspx?model=6), retrieved Apr. 6, 2009, 2 pages.

Benchmade printout for 7 Hook, [http://www.benchmade.com/products/product\\_detail.aspx?model=7](http://www.benchmade.com/products/product_detail.aspx?model=7), retrieved Apr. 6, 2009, 2 pages.

Kershaw Knives printout for Model 1078, retrievable at [www.kershaw.com](http://www.kershaw.com), printed Apr. 6, 2009, 1 page.

Kershaw Knives printout for Model 1090GH, retrievable at [www.kershaw.com](http://www.kershaw.com), printed Apr. 6, 2009, 1 page.

\* cited by examiner

*Primary Examiner*—Philip S Hyder

(74) *Attorney, Agent, or Firm*—Seed IP Law Group PLLC

(57) **CLAIM**

The ornamental design for a gut hook substantially, as shown and described.

**DESCRIPTION**

FIG. 1 is a perspective view of a gut hook, showing my new design.

FIG. 2 is a rear elevational view thereof.

FIG. 3 is a right side elevational view thereof.

FIG. 4 is a front elevational view thereof.

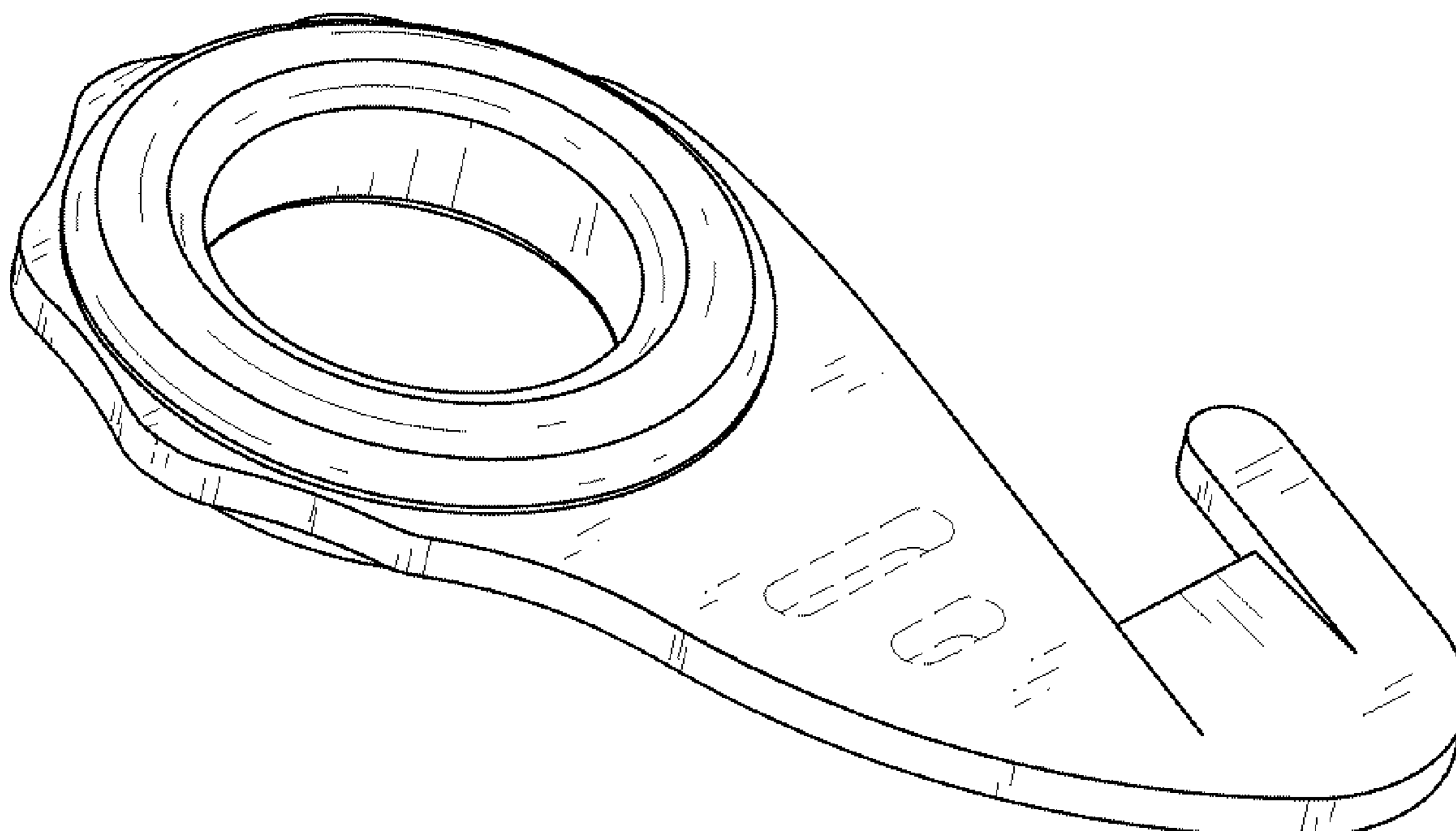
FIG. 5 is a left side elevational view thereof.

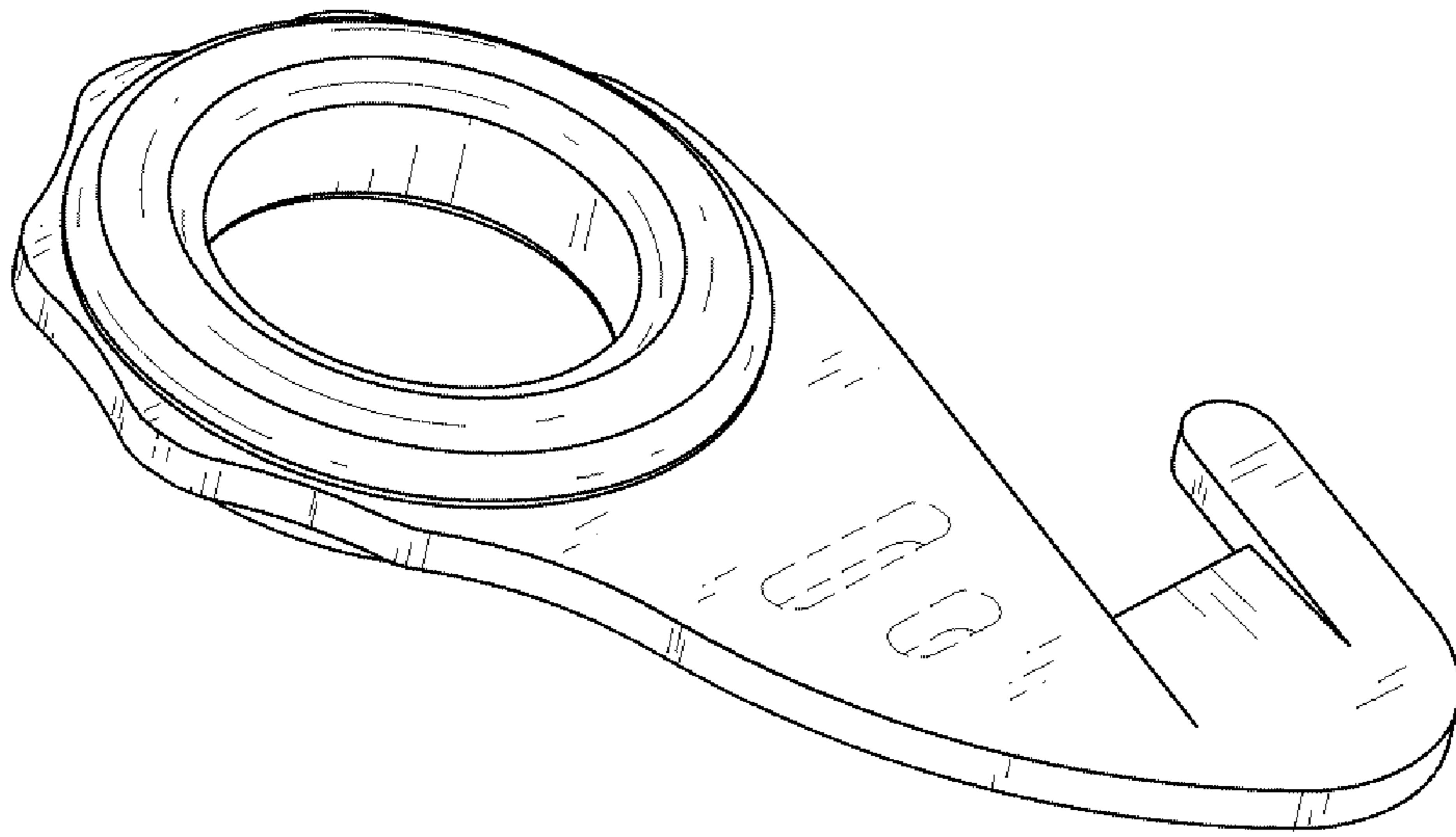
FIG. 6 is a top plan view thereof; and,

FIG. 7 is a bottom plan view thereof.

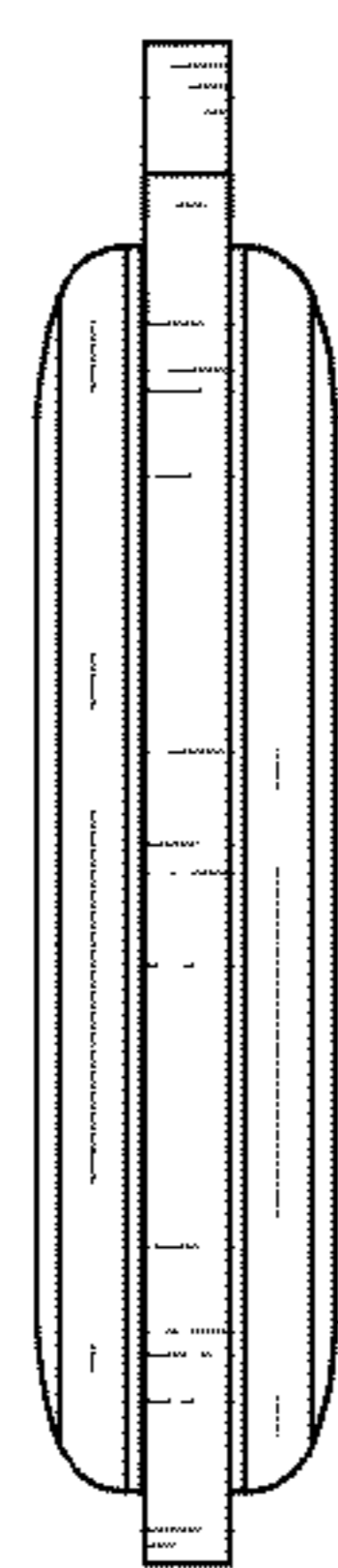
Stippling and shading lines shown in the drawings are intended to represent the approximate three-dimensional contour of the design, and are not intended to indicate surface decoration. The broken lines in the figures are for illustrative purposes only and form no part of the claimed design.

**1 Claim, 3 Drawing Sheets**

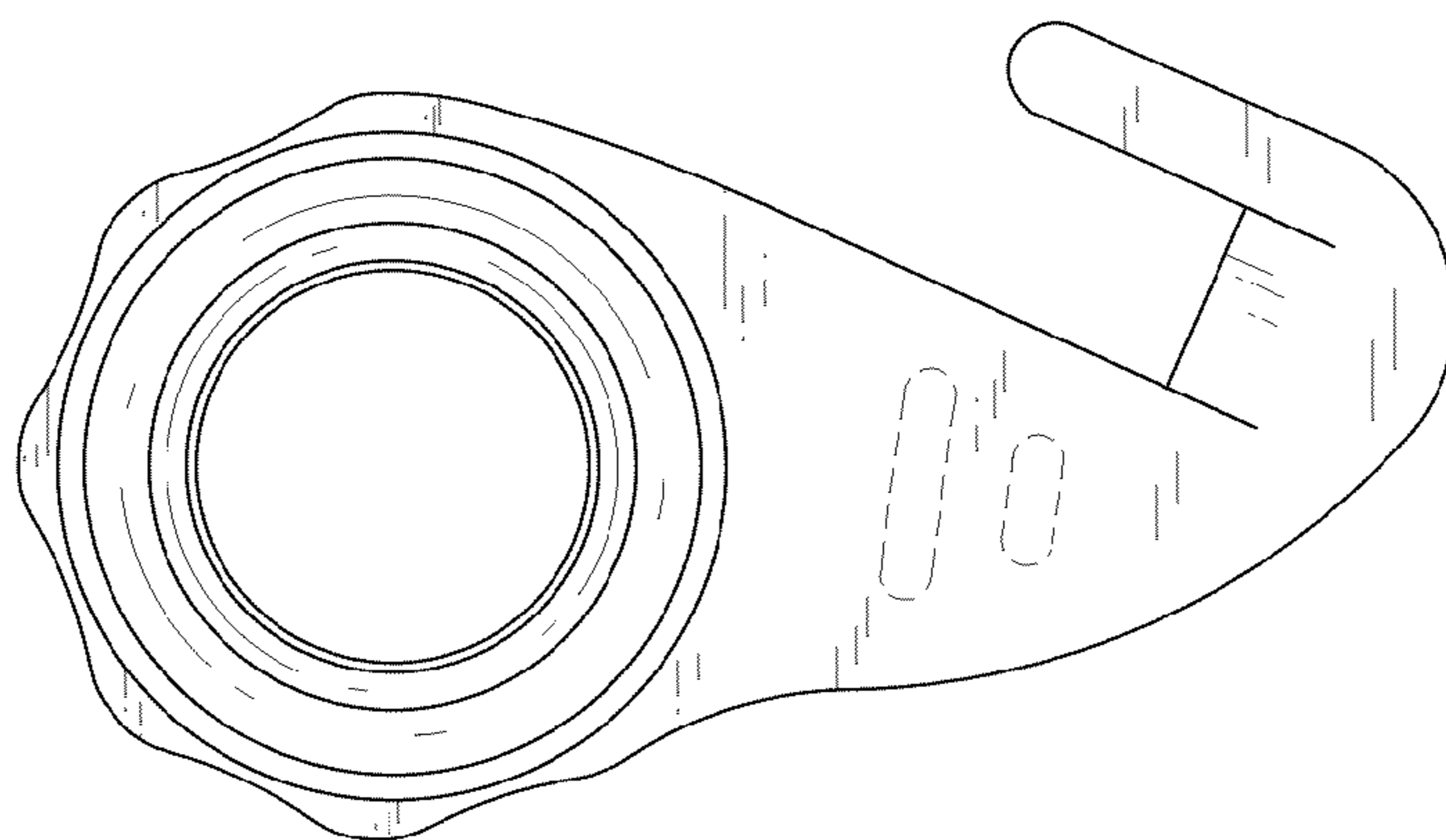




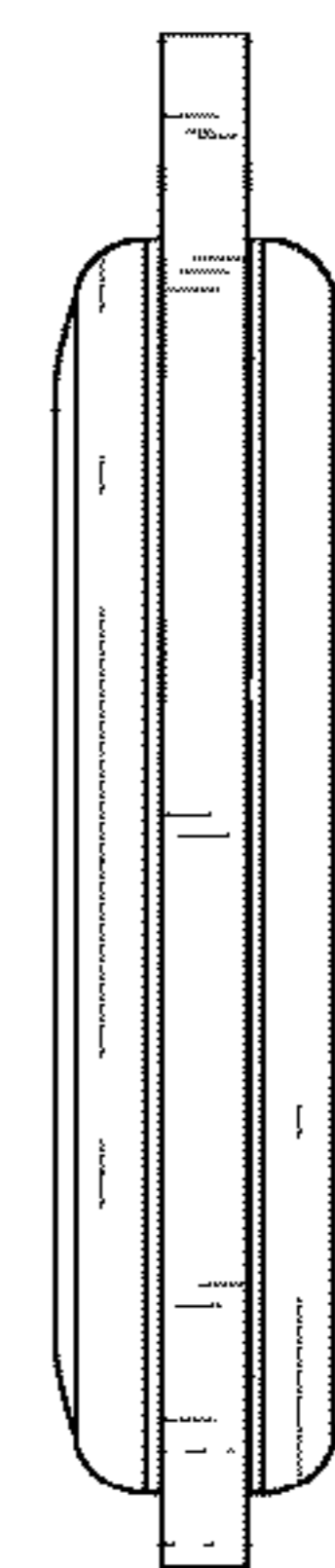
*FIG. 1*



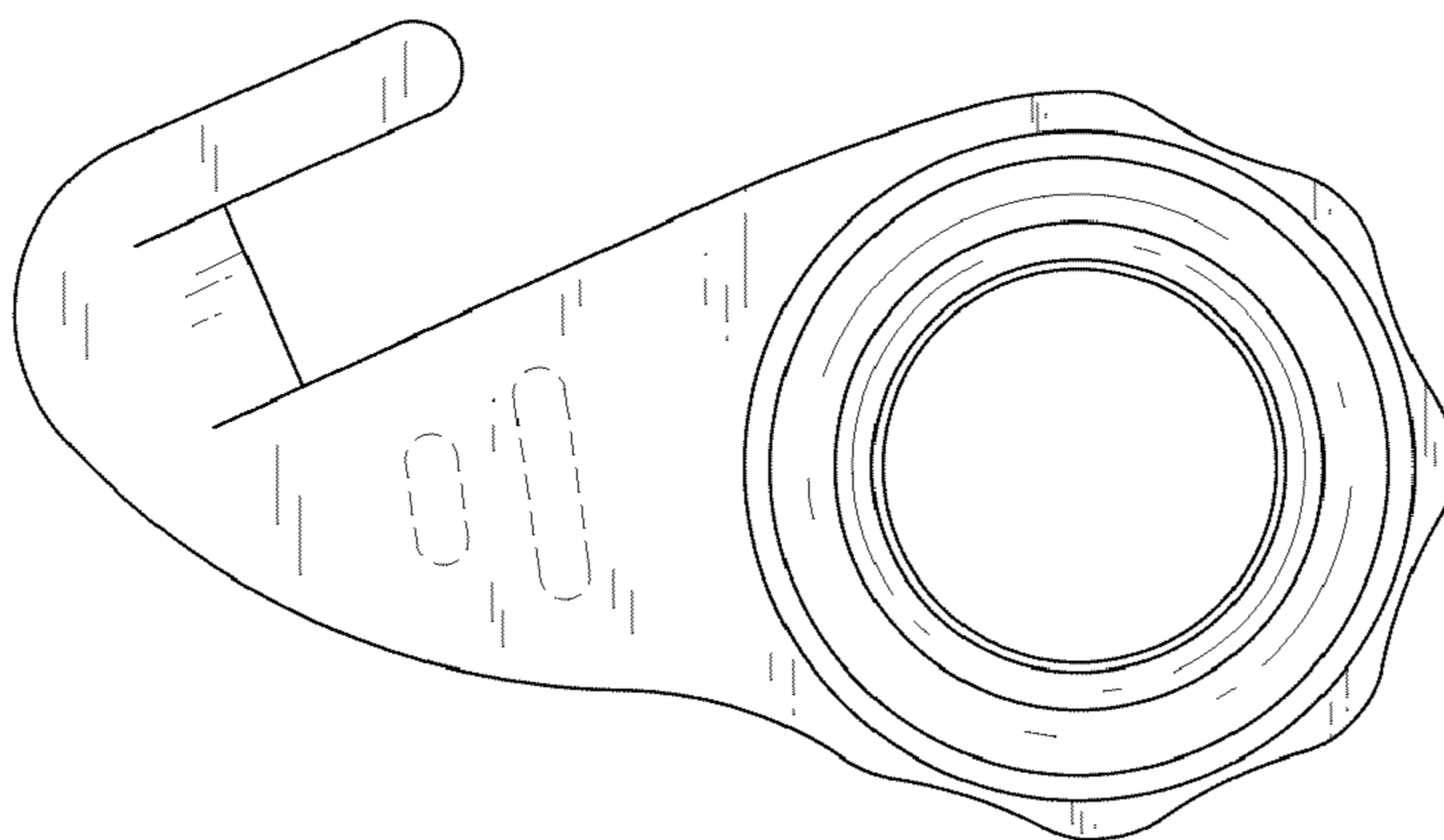
*FIG. 2*



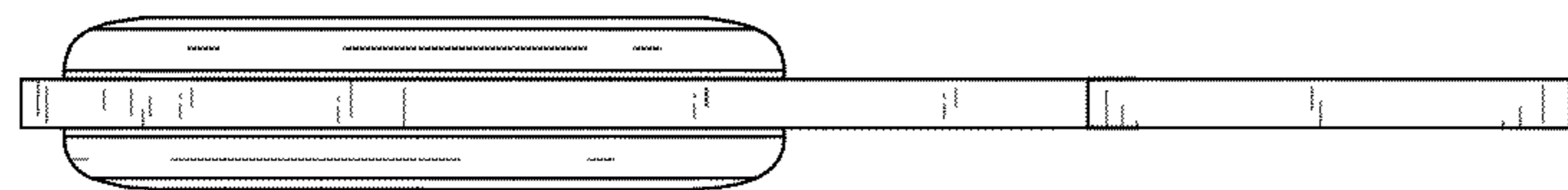
*FIG. 3*



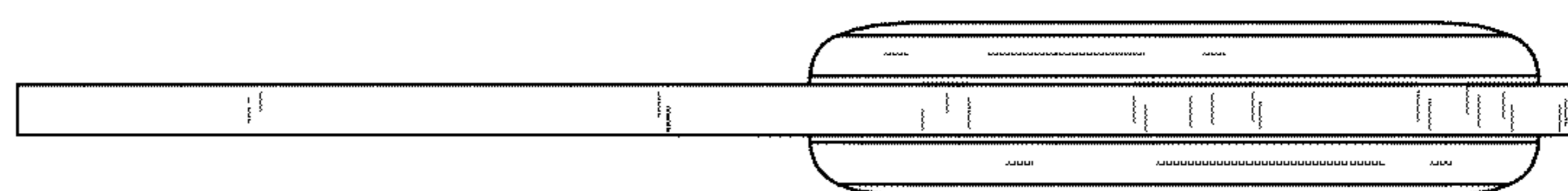
*FIG. 4*



*FIG. 5*



*FIG. 6*



*FIG. 7*