



US00D607297S

(12) **United States Design Patent**  
**Ali et al.**

(10) **Patent No.:** **US D607,297 S**  
(45) **Date of Patent:** **\*\* Jan. 5, 2010**

(54) **HAND SANDER**

D583,165 S \* 12/2008 Weiss et al. .... D6/450

(75) Inventors: **Terry Ali**, Xenia, OH (US); **Christopher Ali**, Beavercreek, OH (US); **Frank F. Ali**, Xenia, OH (US)

\* cited by examiner

*Primary Examiner*—Philip S Hyder  
*Assistant Examiner*—Roselyne Cody

(73) Assignee: **Ali Industries, Inc.**, Fairborn, OH (US)

(74) *Attorney, Agent, or Firm*—R. William Graham

(\*\*) Term: **14 Years**

(57) **CLAIM**

(21) Appl. No.: **29/306,969**

What is claimed is the ornamental design for the hand sander, as shown and described herein.

(22) Filed: **Apr. 21, 2008**

**DESCRIPTION**

(51) **LOC (9) Cl.** ..... **08-05**

(52) **U.S. Cl.** ..... **D8/90**

(58) **Field of Classification Search** ..... D8/14,  
D8/90; 451/523, 524, 525, 540, 550, 354;  
15/236.01, 236.02; D32/40

FIG. 1 is a perspective view of a hand sander showing our new design;

FIG. 2 is a top view of a hand sander showing our new design;

FIG. 3 is a right side elevation view of a hand sander showing our new design;

FIG. 4 is a left side elevation view of a hand sander showing our new design;

FIG. 5 is a bottom plan view of a hand sander showing our new design;

FIG. 6 is back end view of a hand sander showing our new design; and,

FIG. 7 is front end view of a hand sander showing our new design.

See application file for complete search history.

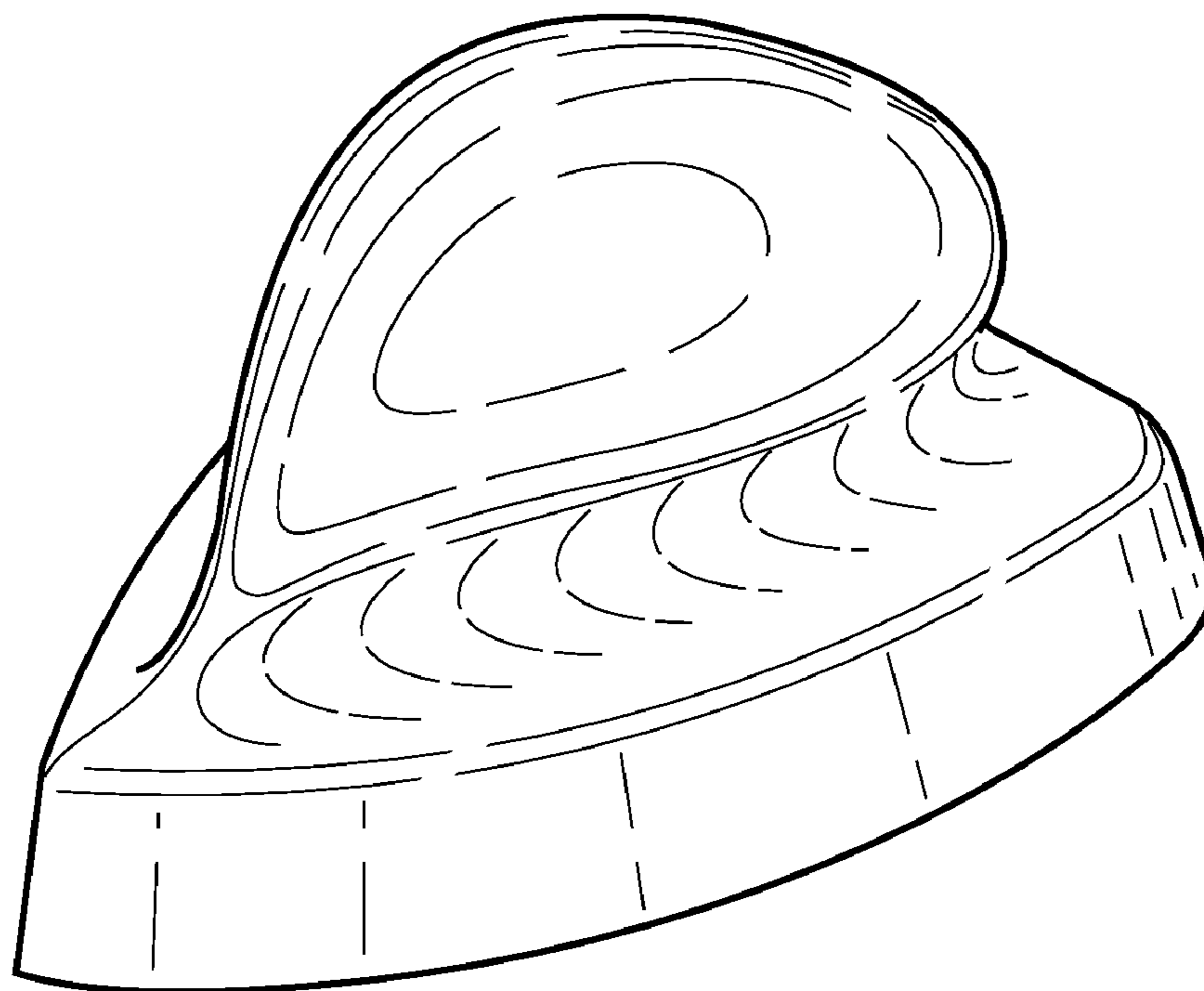
The dotted line in the drawing is intended to represent sandpaper attached to the bottom of the sander and is not part of the claimed design.

(56) **References Cited**

U.S. PATENT DOCUMENTS

5,054,248	A *	10/1991	Thayer	.....	451/524
D429,136	S *	8/2000	Ali et al.	.....	D8/90
6,267,658	B1 *	7/2001	Ali et al.	.....	451/523
D462,597	S *	9/2002	Deshler	.....	D8/90
D470,381	S *	2/2003	Magann	.....	D8/90
D477,764	S *	7/2003	Magann	.....	D8/90
6,634,937	B1 *	10/2003	Edwards et al.	.....	451/502
D499,852	S *	12/2004	Trunecek	.....	D32/46
6,925,675	B1 *	8/2005	Trunecek	.....	15/236.02
D530,178	S *	10/2006	Bortz	.....	D8/90
D554,315	S *	10/2007	Schouten	.....	D32/52
D577,561	S *	9/2008	Ali et al.	.....	D8/90

**1 Claim, 4 Drawing Sheets**



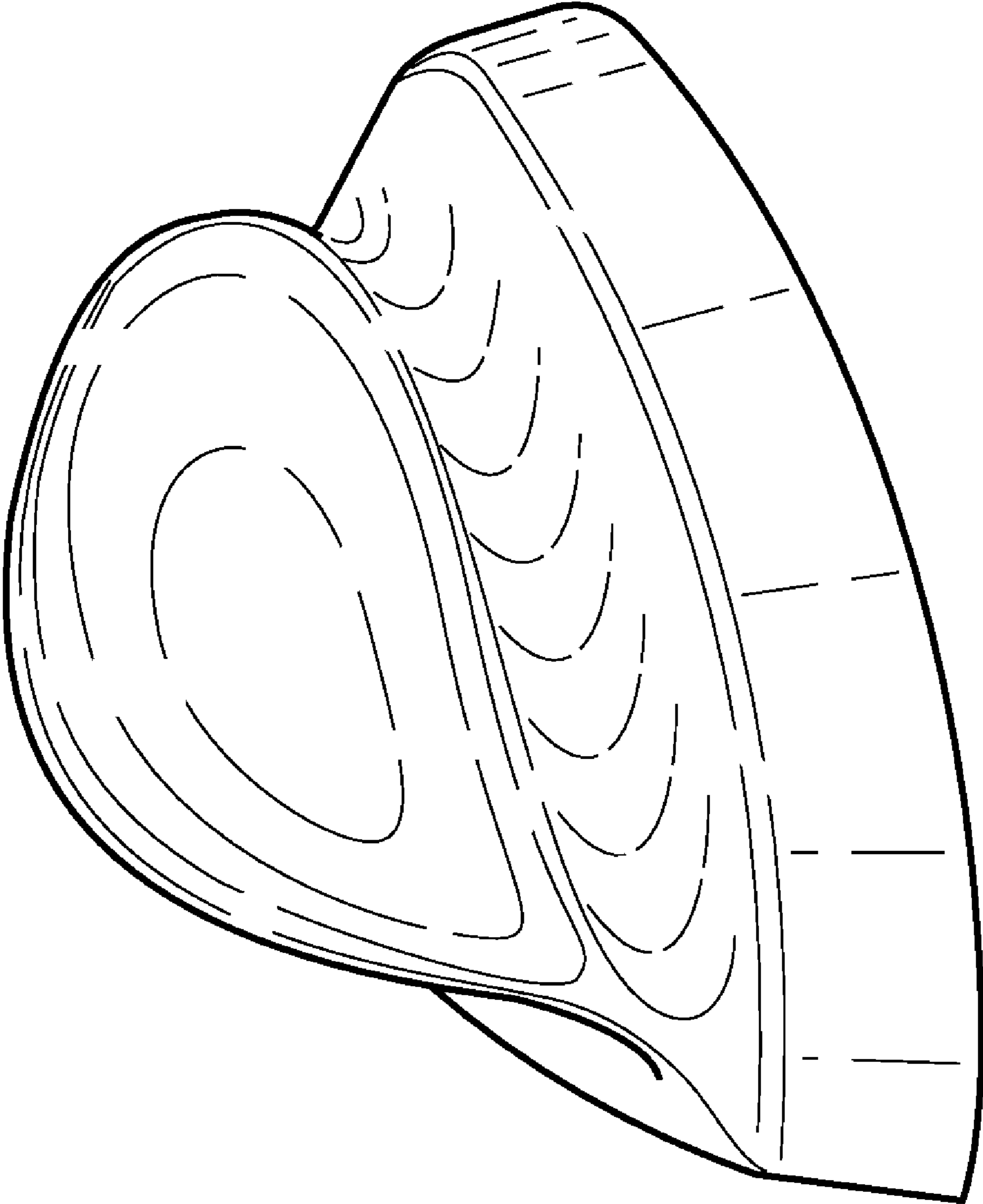


Fig. 1

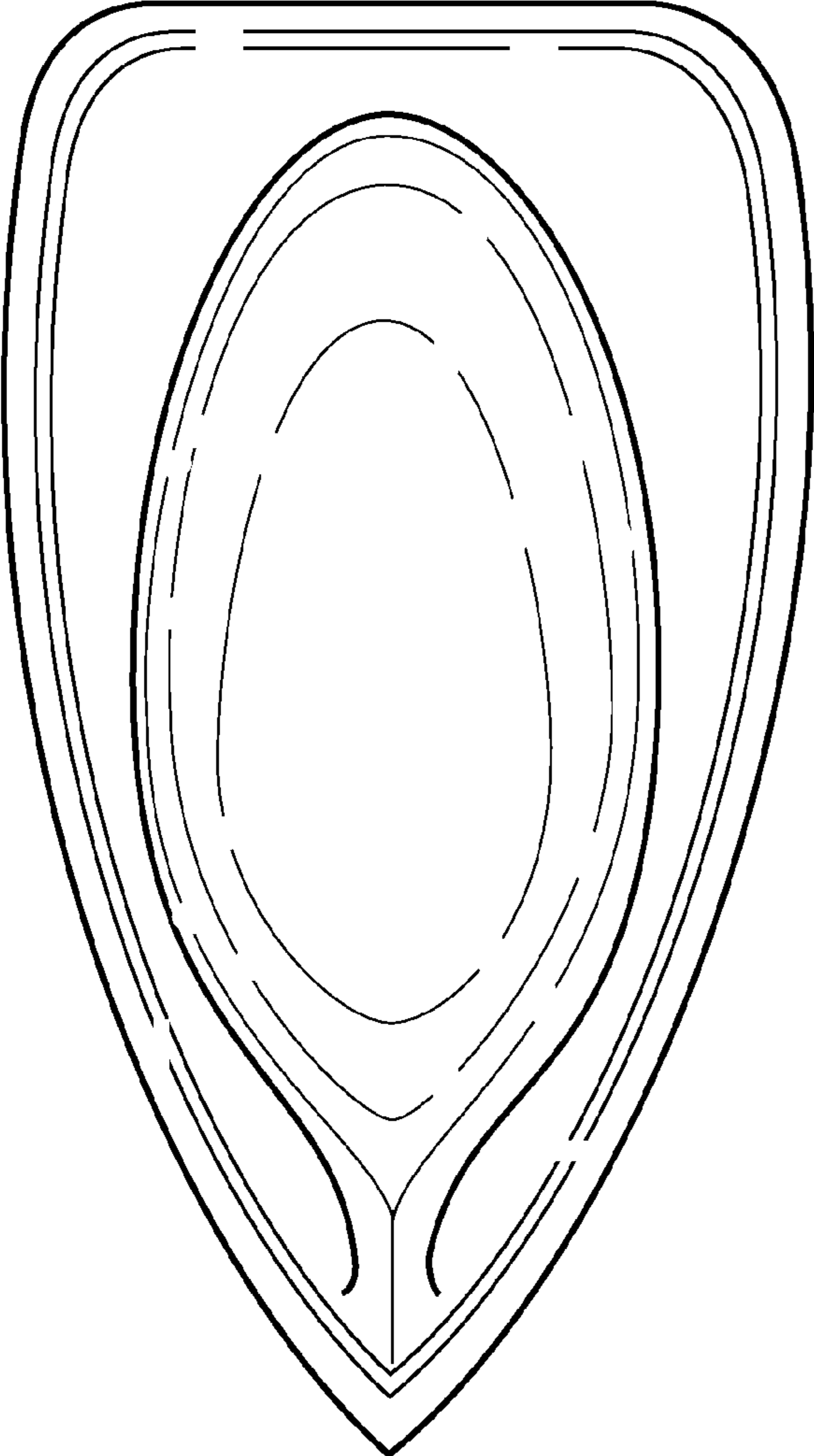


Fig. 2

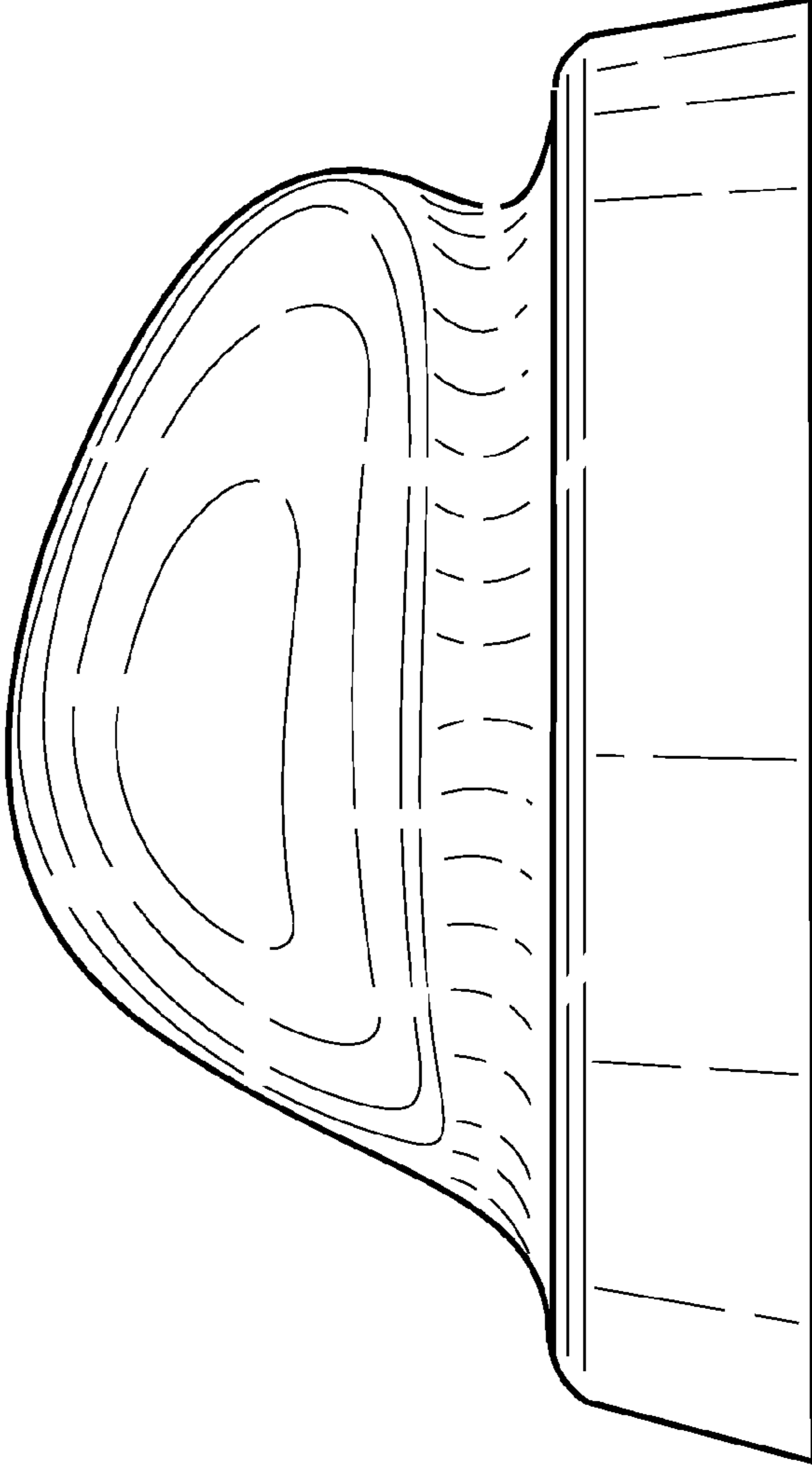


Fig. 3

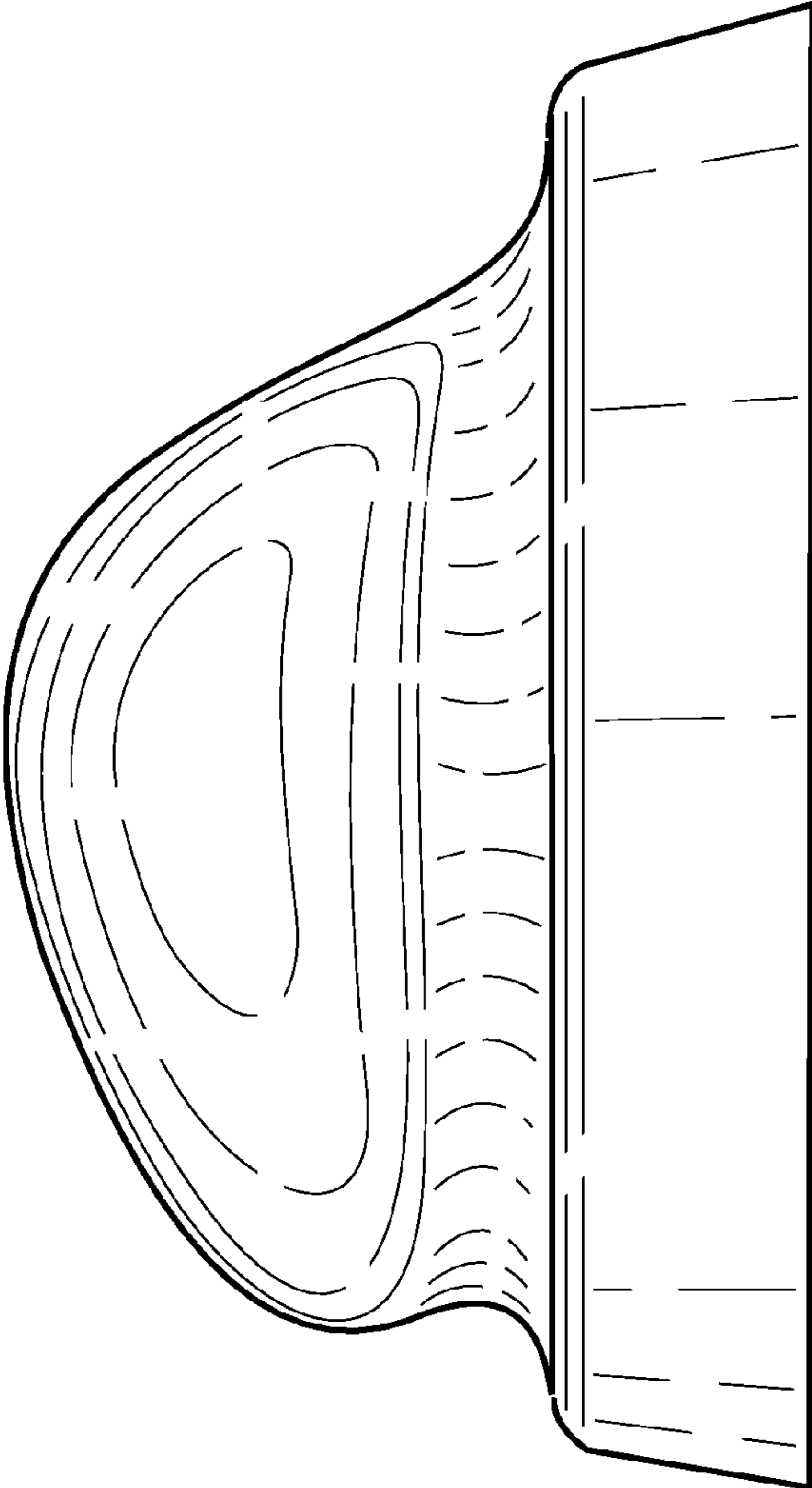


Fig. 4

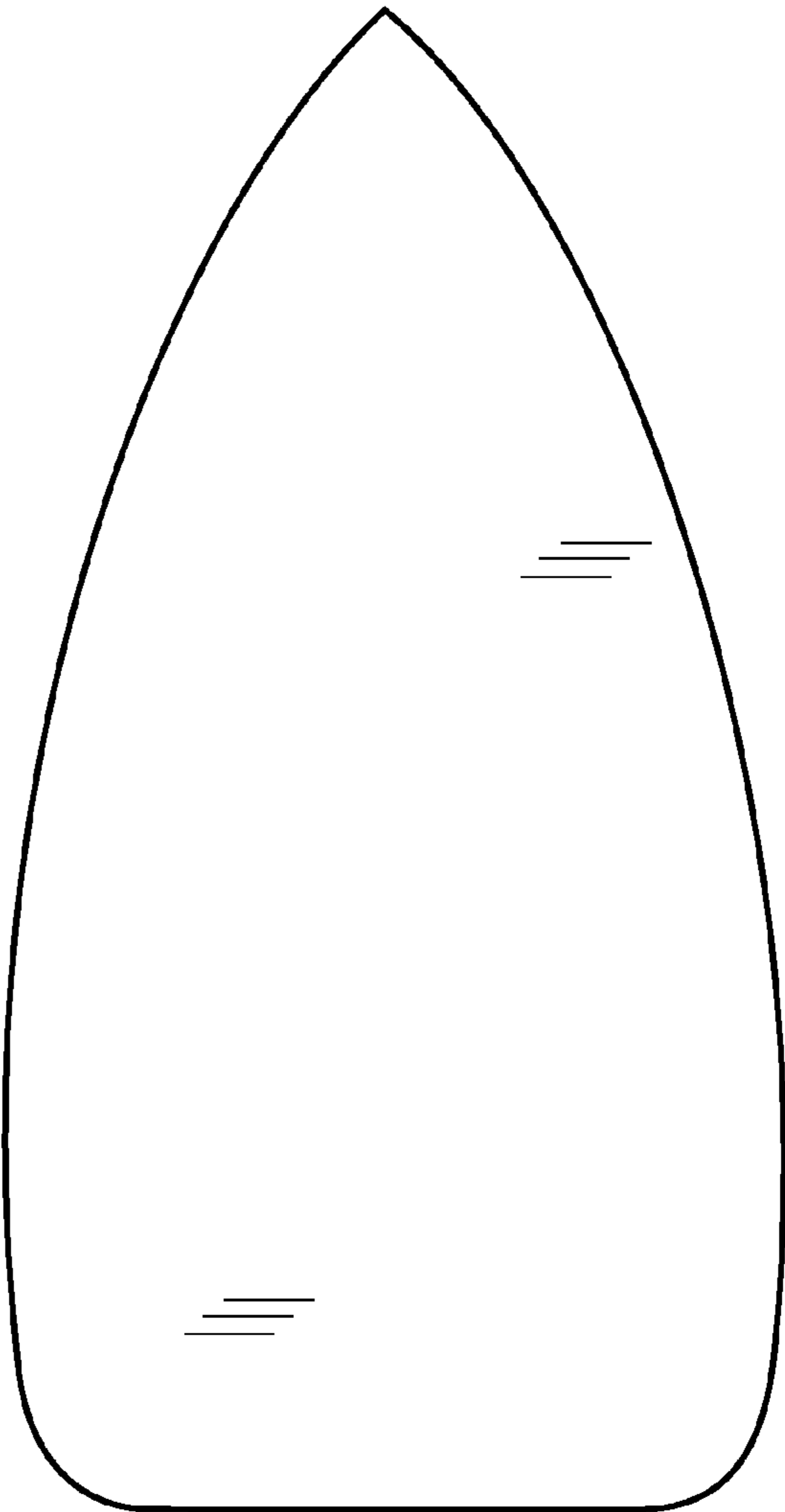


Fig. 5

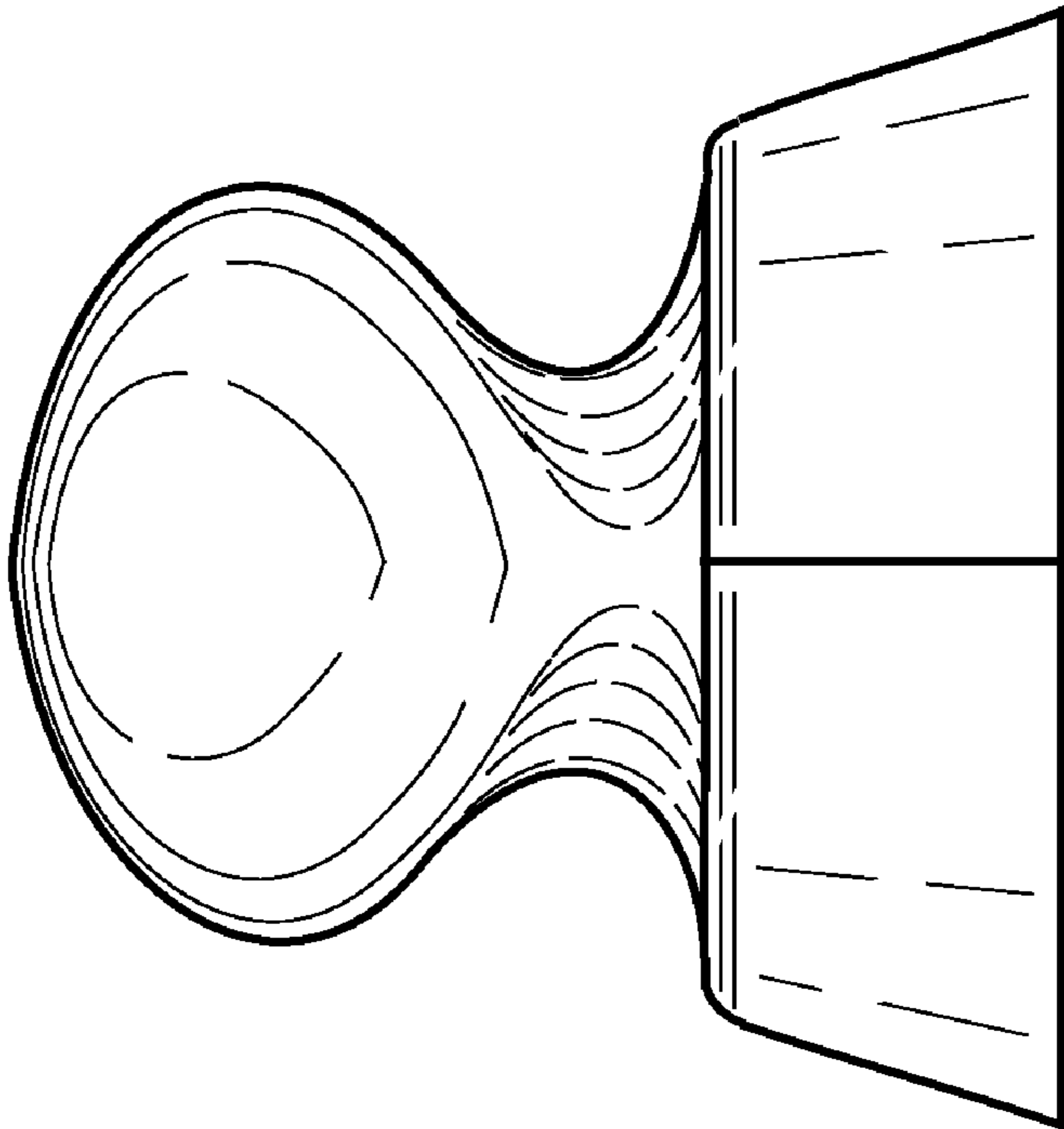


Fig. 7

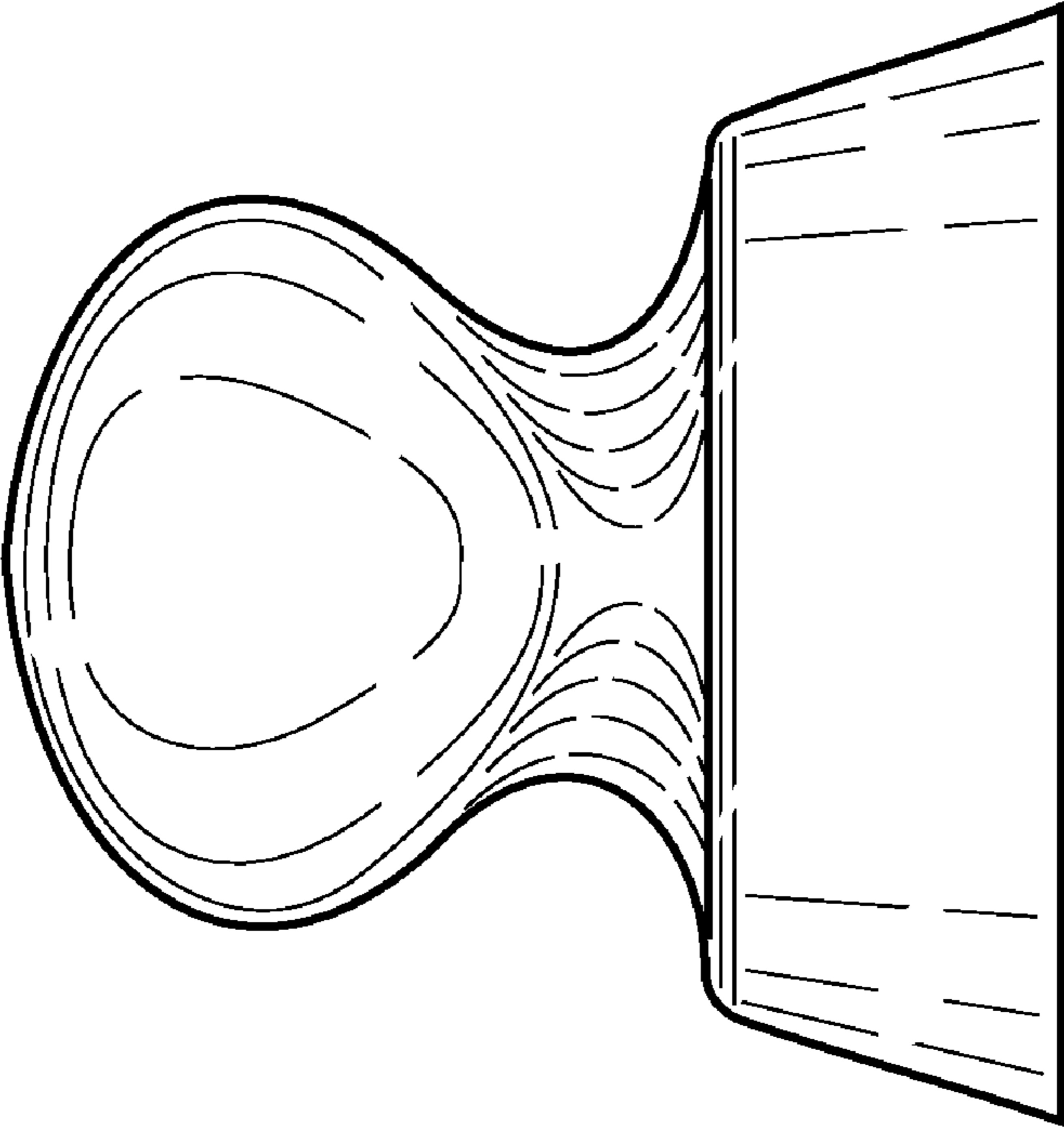


Fig. 6