



US00D607290S

(12) **United States Design Patent**
Casablanca

(10) **Patent No.:** **US D607,290 S**

(45) **Date of Patent:** **** Jan. 5, 2010**

(54) **ANGLE TAMPER FOR ASPHALT**

(76) Inventor: **Philip A. Casablanca**, 12318 N.
Lakeview Dr., Huntley, IL (US) 60142

(**) Term: **14 Years**

(21) Appl. No.: **29/301,863**

(22) Filed: **Mar. 20, 2008**

(51) **LOC (9) Cl.** **08-05**

(52) **U.S. Cl.** **D8/45**

(58) **Field of Classification Search** D8/14,
D8/45, 16, 19, 20; 404/96, 97; 15/235.4,
15/235.5, 235.8, 236.01; D16/136, 250;
D25/136, 119, 141, 164; D6/491; D20/44;
D15/32, 89; D32/46, 48, 49; D18/12, 40,
D18/56

See application file for complete search history.

(56) **References Cited**

U.S. PATENT DOCUMENTS

1,411,462	A *	4/1922	Wendt	118/504
2,018,890	A *	10/1935	Heltzel	15/235.4
3,082,460	A *	3/1963	Haivala	15/235.4
3,798,701	A *	3/1974	Irwin et al.	15/235.8
D240,794	S *	8/1976	Marx	D8/45
D249,164	S *	8/1978	Grant	D25/199
D265,169	S *	6/1982	Bunnell et al.	D8/10
4,357,898	A *	11/1982	Fehrenbacher	118/504
4,397,581	A *	8/1983	Jarvis	404/97
D272,981	S *	3/1984	Justice	D8/16
D282,622	S *	2/1986	Bobo	D8/14
4,702,641	A *	10/1987	Naser et al.	404/97
4,723,869	A *	2/1988	Dragich	404/97
D307,378	S *	4/1990	D'Alessandro	D8/10
D326,396	S *	5/1992	Owens	D8/45
D327,616	S *	7/1992	Owens	D8/45
D330,772	S *	11/1992	Nelson	D25/119
D357,563	S *	4/1995	Vosbikian	D32/41
D368,344	S *	3/1996	Hansen	D32/46

D390,075	S *	2/1998	Beier et al.	D8/14
D407,831	S *	4/1999	Gifford	D25/136
D425,605	S *	5/2000	Palmisano	D23/267
6,286,802	B1 *	9/2001	Munson et al.	248/475.1
D479,008	S *	8/2003	Krieger	D25/136
D479,751	S *	9/2003	Schofield	D25/119
D507,131	S *	7/2005	Pingel	D6/491
D542,631	S *	5/2007	Munson et al.	D8/373

* cited by examiner

Primary Examiner—Philip S Hyder

(74) *Attorney, Agent, or Firm*—Mathew R. P. Perrone, Jr.;
Brie A. Crawford

(57) **CLAIM**

The ornamental design for an angle tamper for asphalt, as shown and described.

DESCRIPTION

FIG. 1 is a front perspective view of an angle tamper for asphalt of my invention in use;

FIG. 2 is a top plan view of an angle tamper for asphalt of my invention based on FIG. 1;

FIG. 3 is a bottom plan view of an angle tamper for asphalt of my invention based on FIG. 2;

FIG. 4 is a side view of an angle tamper for asphalt of my invention based on FIG. 1;

FIG. 5 is a reverse view of FIG. 4;

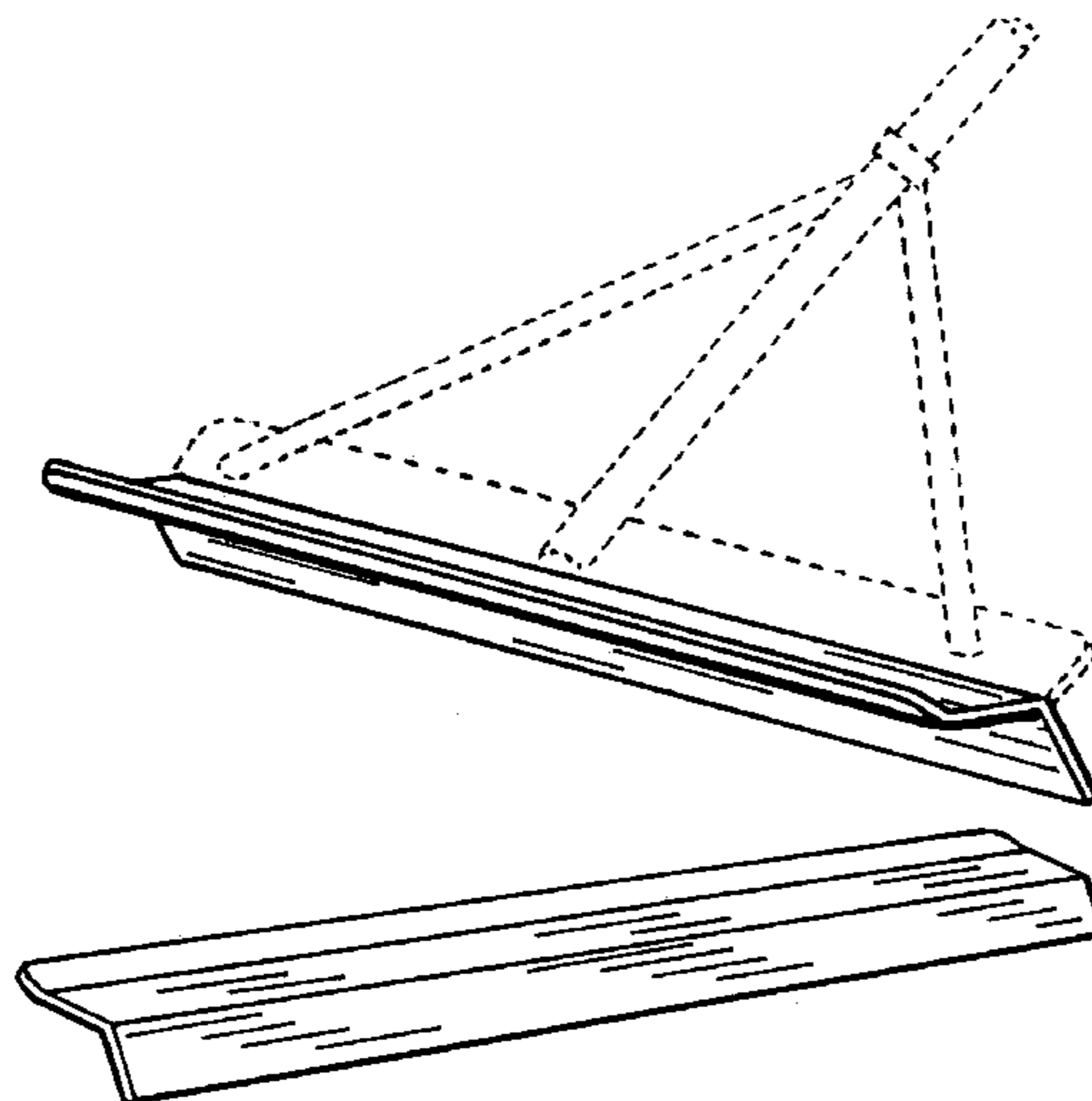
FIG. 6 is a front elevation view of an angle tamper for asphalt of my invention based on FIG. 1;

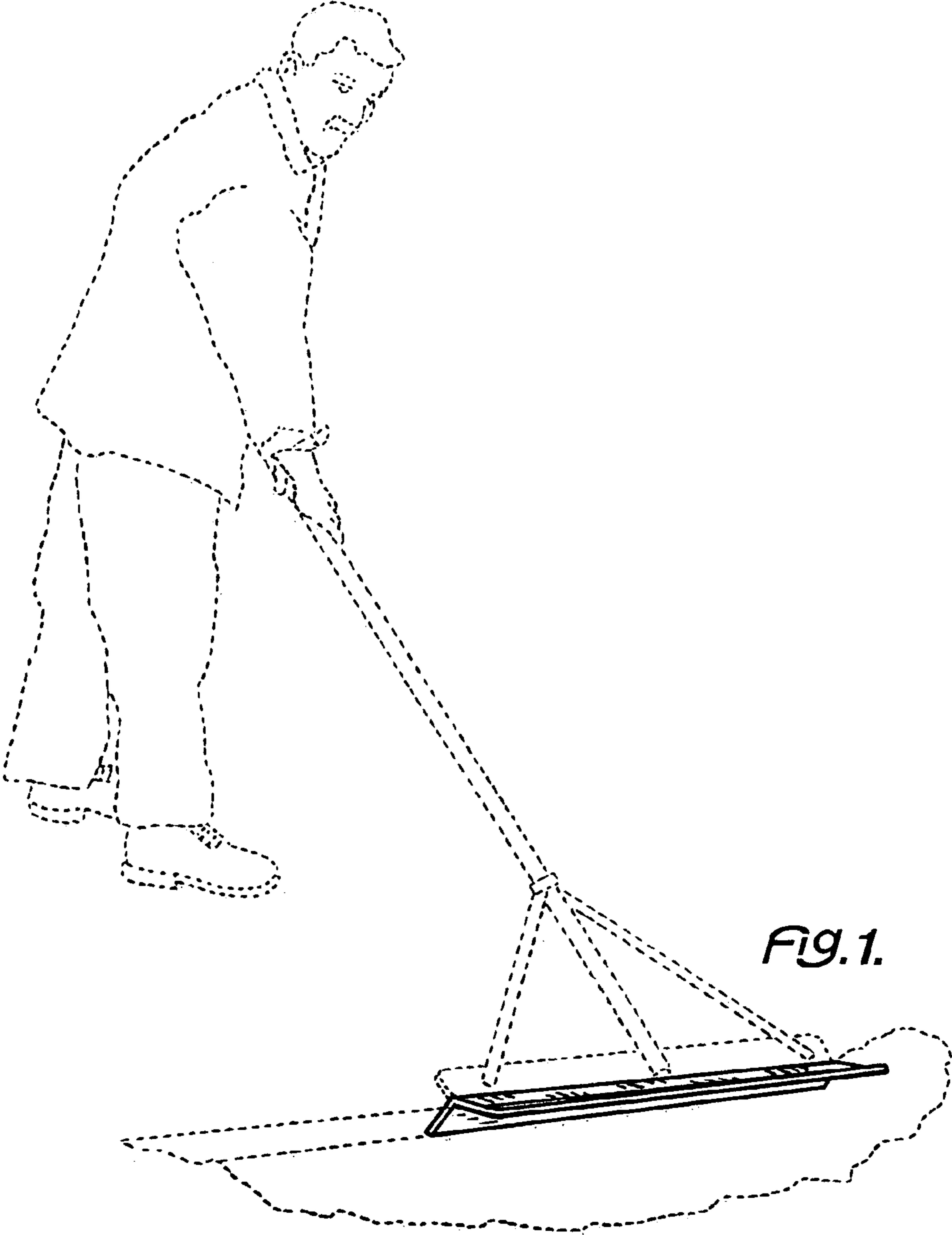
FIG. 7 is a rear elevation view of an angle tamper for asphalt of my invention based on FIG. 6;

FIG. 8 is a front perspective view of an angle tamper for asphalt of my invention based on FIG. 1; and,

FIG. 9 is a rear perspective view of an angle tamper for asphalt of my invention based on FIG. 8.

1 Claim, 4 Drawing Sheets





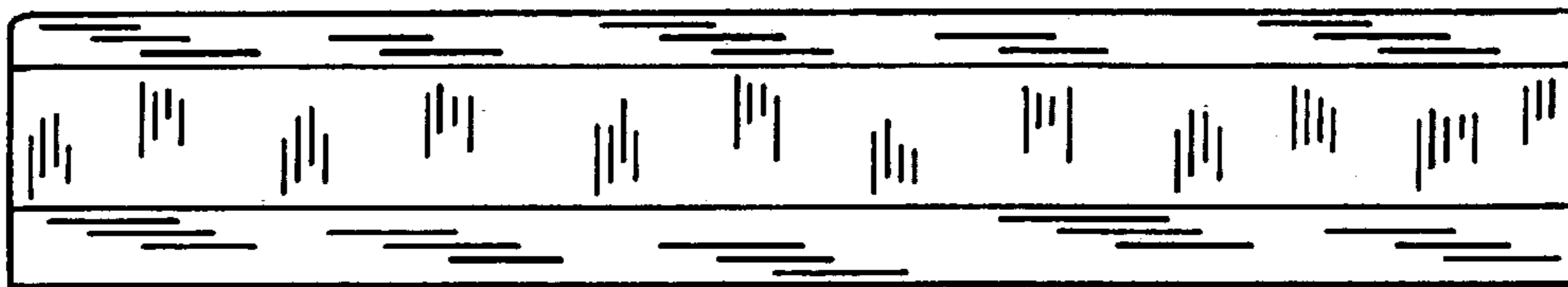


Fig. 2.

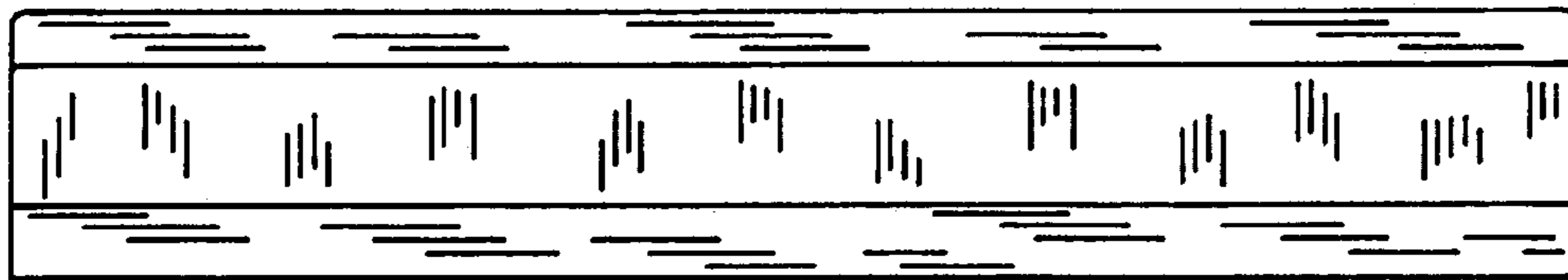


Fig. 3.

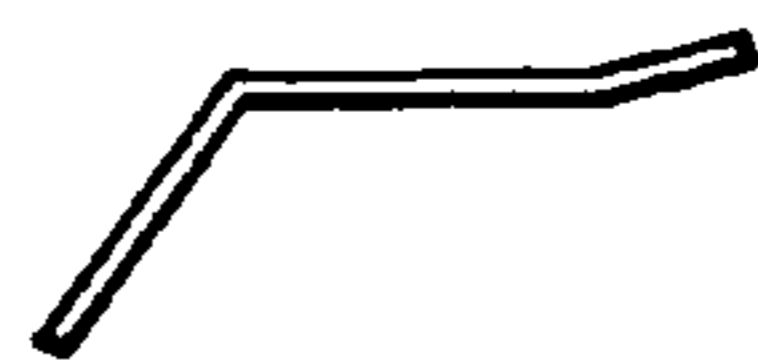


Fig. 4.

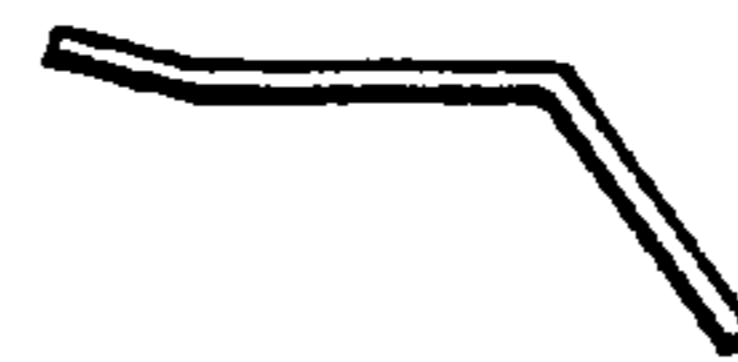


Fig. 5.

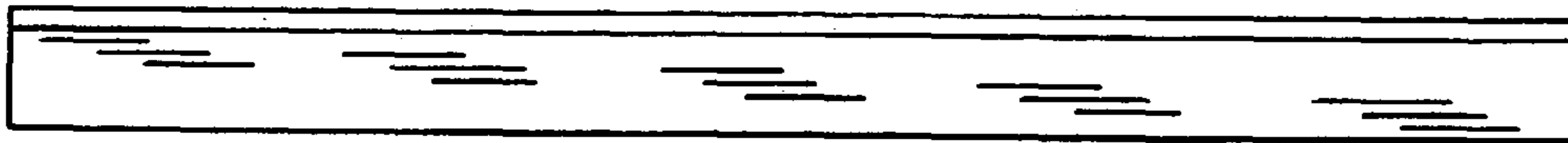


FIG. 6.

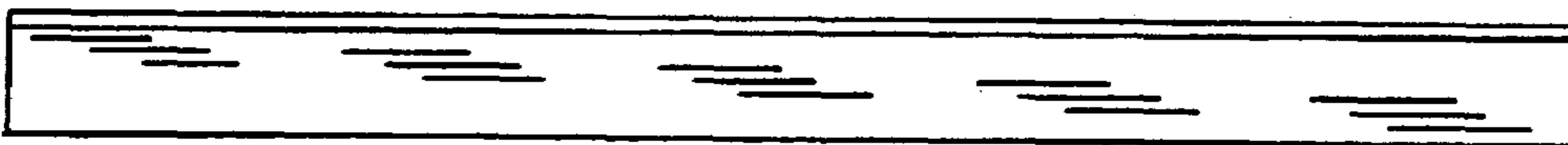


FIG. 7.

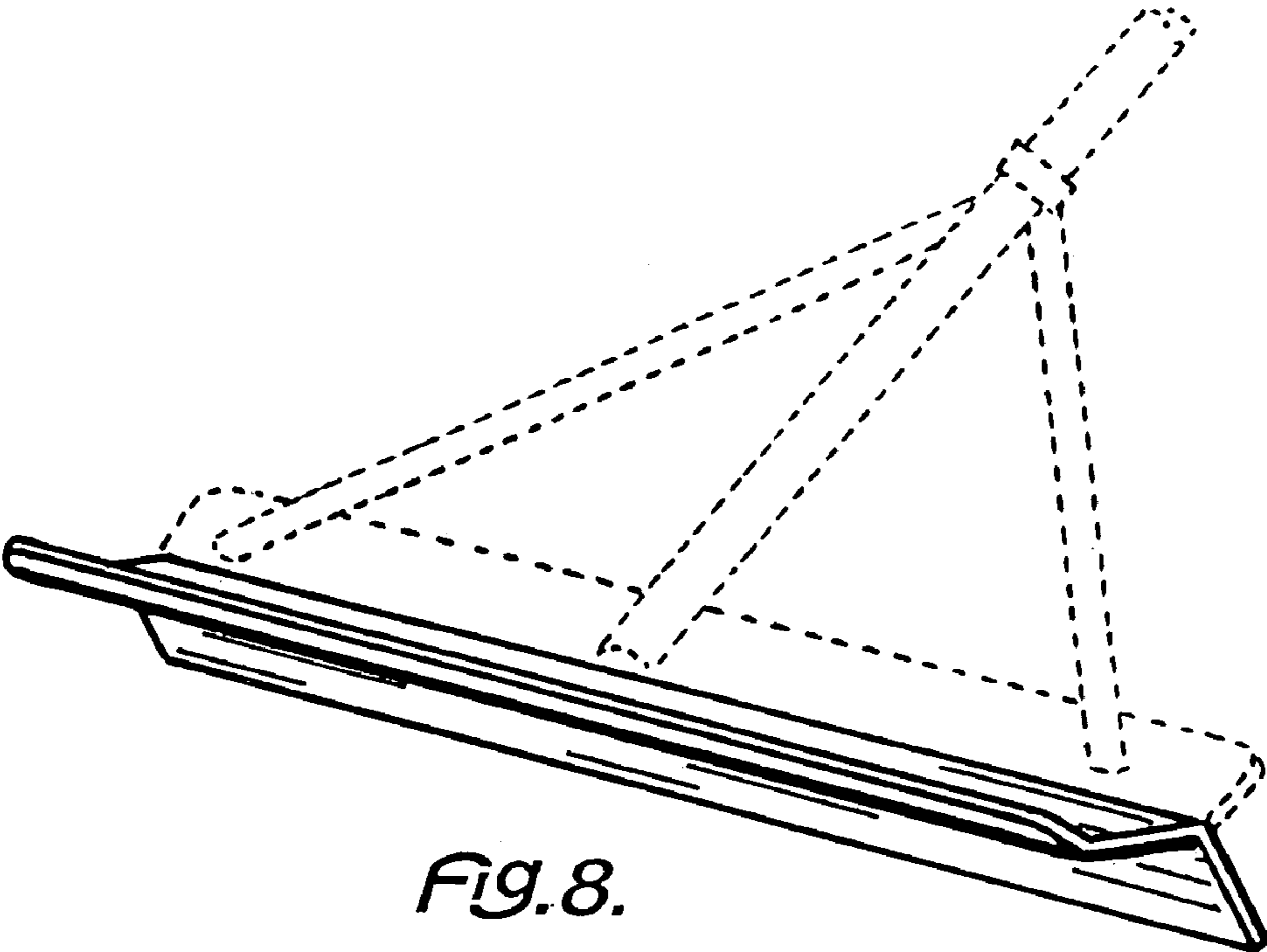


FIG. 8.

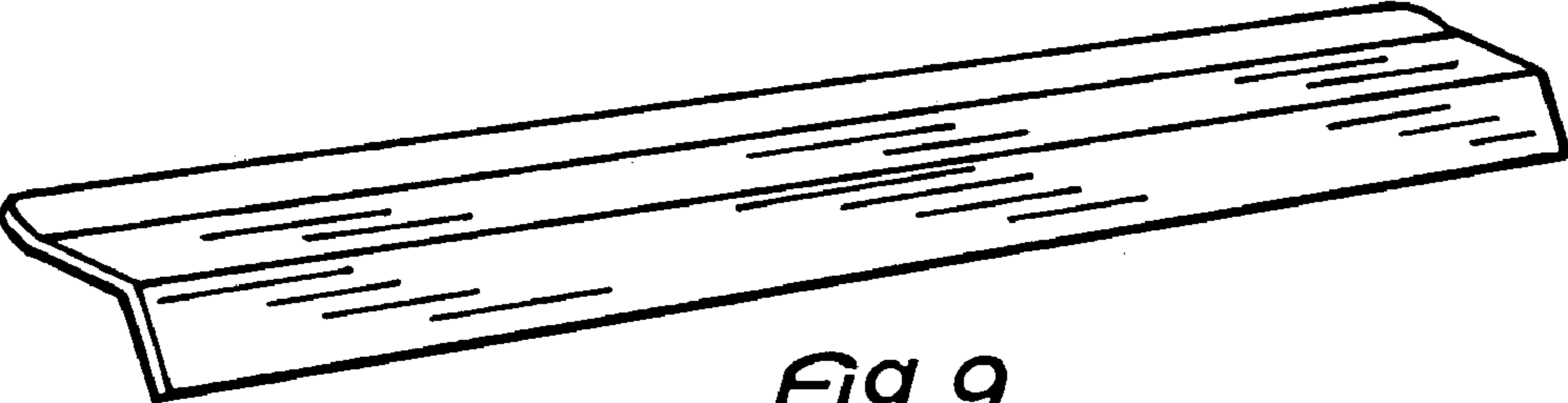


FIG. 9.