



US00D607289S

(12) **United States Design Patent**
Lambert

(10) **Patent No.:** **US D607,289 S**
(45) **Date of Patent:** **** Jan. 5, 2010**

- (54) **SLIM PROFILE WRENCH**
- (75) Inventor: **J. Ewing Lambert**, Indianola, IA (US)
- (73) Assignee: **TR Tools, L.L.C.**, Orange City, IA (US)
- (**) Term: **14 Years**
- (21) Appl. No.: **29/339,570**
- (22) Filed: **Jul. 2, 2009**
- (51) **LOC (9) Cl.** **08-05**
- (52) **U.S. Cl.** **D8/28**
- (58) **Field of Classification Search** D8/21-29;
81/60-63.2, 176.119, 120, 121.1, 124.3,
81/177.75, 177.7, 177.85, 186, 176.1, 176.15,
81/176.2; 206/373, 378; 16/429; 7/100,
7/138, 168

See application file for complete search history.

(56) **References Cited**

U.S. PATENT DOCUMENTS

- 562,689 A 6/1896 Willows
- 730,509 A 6/1903 Baker
- 835,034 A * 11/1906 Riddle 81/61
- 1,310,641 A 7/1919 Welch
- 1,350,315 A 8/1920 Katzmarek
- 1,635,102 A 7/1927 Watson
- 1,747,527 A 2/1930 Peterson
- 2,322,856 A 6/1943 LeRoue
- 2,421,038 A * 5/1947 Schultz 81/61
- 2,466,456 A 4/1949 Lybyer
- 2,669,147 A 2/1954 Koenig
- 2,830,479 A 4/1958 Finn
- 3,138,983 A 6/1964 Frizzell
- 3,270,597 A 9/1966 Neff et al.
- 3,283,621 A 11/1966 Faso
- D214,018 S * 5/1969 Traugher D8/25
- D225,606 S * 12/1972 Teichmeier D8/25
- 3,714,852 A 2/1973 Giangrasso
- 3,838,614 A 10/1974 Odonnell
- 3,987,691 A 10/1976 Savage
- 4,063,475 A 12/1977 Perkins
- 4,231,271 A * 11/1980 Yamada 81/57.3
- 4,366,731 A 1/1983 Vallevand

- 4,406,186 A 9/1983 Gummow
- 4,488,461 A 12/1984 Hurtig
- 4,491,042 A 1/1985 Lopochohsky
- 4,534,245 A 8/1985 Rossmann
- 4,593,585 A 6/1986 Hurtig
- 4,748,875 A 6/1988 Lang
- 4,817,475 A 4/1989 Kelly et al.
- 4,819,521 A 4/1989 Lang
- 4,838,131 A 6/1989 Rhoades
- 4,867,016 A 9/1989 DiEdwardo
- 5,144,869 A * 9/1992 Chow 81/63
- D332,730 S * 1/1993 Usuda D8/25
- 5,199,332 A 4/1993 Batten
- 5,355,751 A 10/1994 Specht
- 5,477,758 A 12/1995 Cunningham

(Continued)

FOREIGN PATENT DOCUMENTS

GB 2 056 348 3/1981

Primary Examiner—Philip S Hyder
Assistant Examiner—Randall H Gholson
(74) *Attorney, Agent, or Firm*—McKee, Voorhees & Sease, P.L.C.

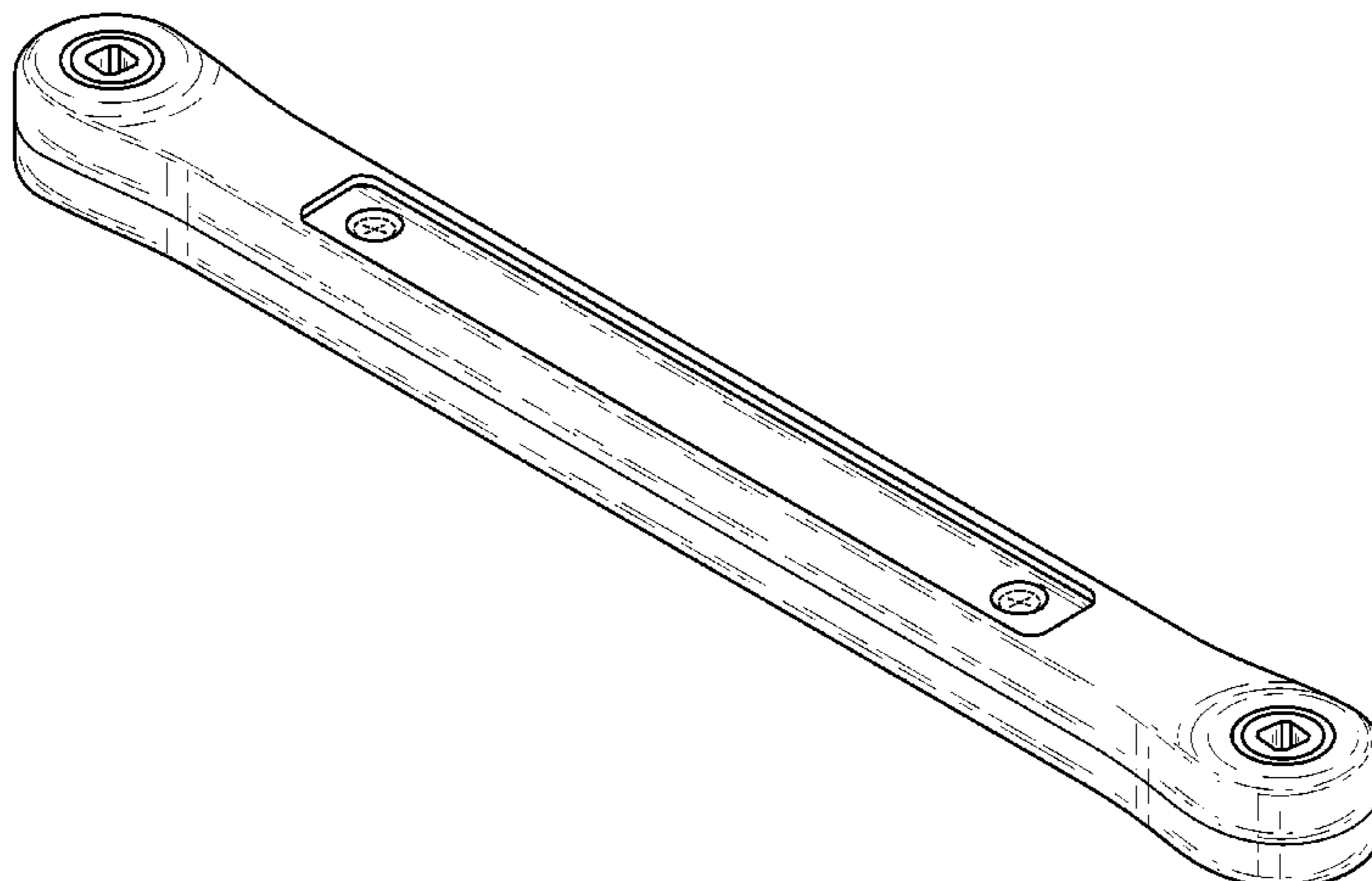
(57) **CLAIM**

The ornamental design for a slim profile wrench, as shown and described.

DESCRIPTION

- FIG. 1 is a perspective view of the slim profile wrench of the present invention.
- FIG. 2 is a top plan view of the wrench.
- FIG. 3 is a bottom plan view of the wrench.
- FIG. 4 is a side elevation view of the wrench, with the opposite side being identical; and,
- FIG. 5 is an end elevation view of the wrench, with the opposite end view being identical.

1 Claim, 3 Drawing Sheets



US D607,289 S

Page 2

U.S. PATENT DOCUMENTS									
5,540,122	A *	7/1996	Lund	81/57.3	6,752,048	B1	6/2004	Chiang	
5,709,137	A	1/1998	Blacklock		6,832,531	B1 *	12/2004	Marquardt	81/57.3
5,732,605	A	3/1998	Mann		6,877,404	B2	4/2005	Chen	
5,996,448	A	12/1999	Suekage		6,928,904	B2	8/2005	Hsien	
6,032,555	A	3/2000	Whitley		6,993,998	B1	2/2006	Kao et al.	
6,053,076	A	4/2000	Barnes		7,055,409	B2	6/2006	Hsien	
6,151,996	A	11/2000	Whiteford		7,093,519	B1	8/2006	Huang	
6,234,049	B1	5/2001	Ju et al.		7,137,319	B2	11/2006	Hough	
6,257,102	B1	7/2001	Perry		7,197,965	B1	4/2007	Anderson	
6,286,396	B1	9/2001	Johnson		2002/0069728	A1	6/2002	Kady et al.	
6,311,583	B1	11/2001	Izumisawa		2005/0120836	A1	6/2005	Anderson	
6,588,304	B2	7/2003	Kady et al.		2006/0266167	A1	11/2006	Cole	
D486,366	S	2/2004	Tuanmu		2007/0074607	A1	4/2007	Balls	

* cited by examiner

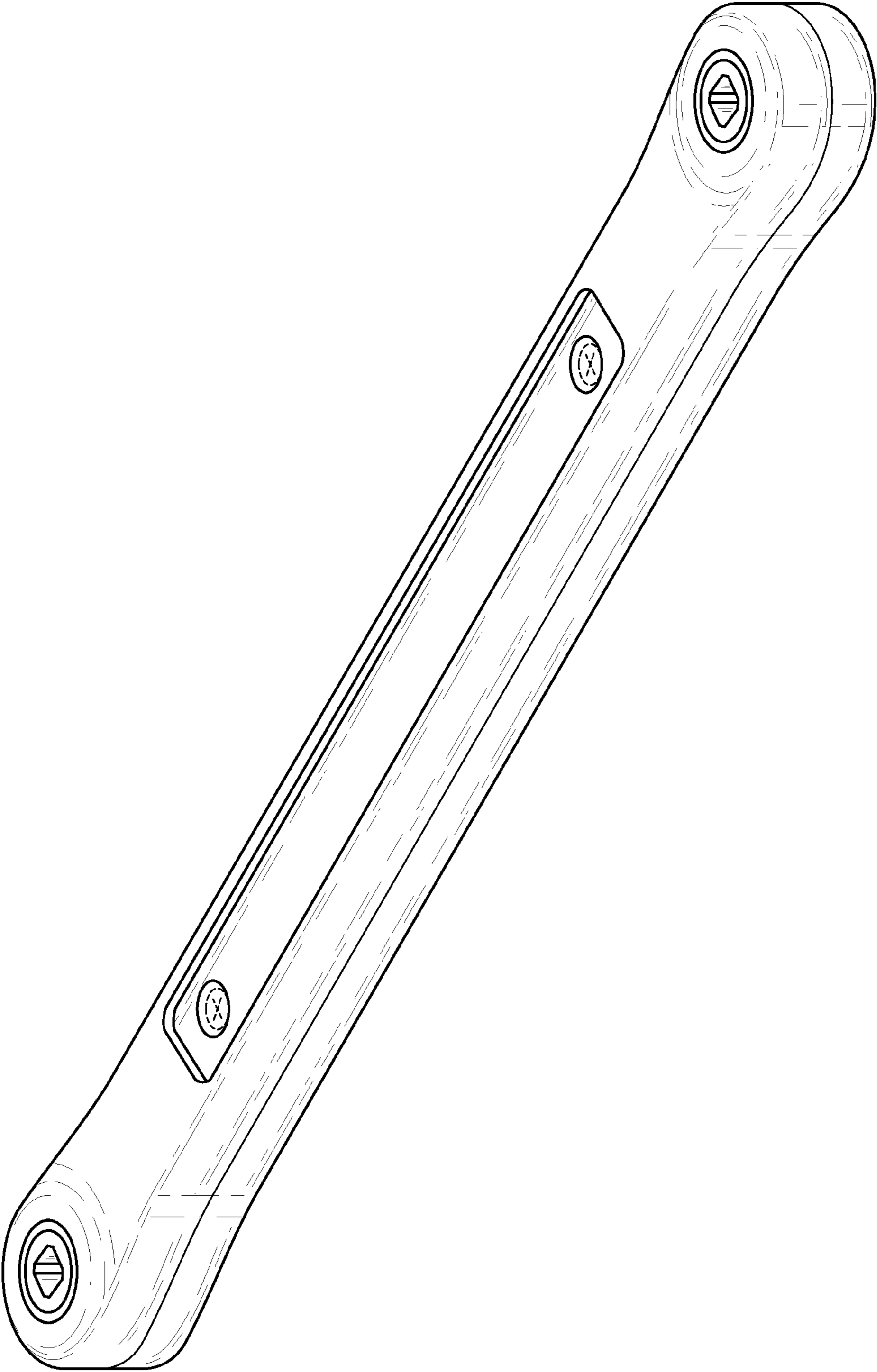


FIG. 1

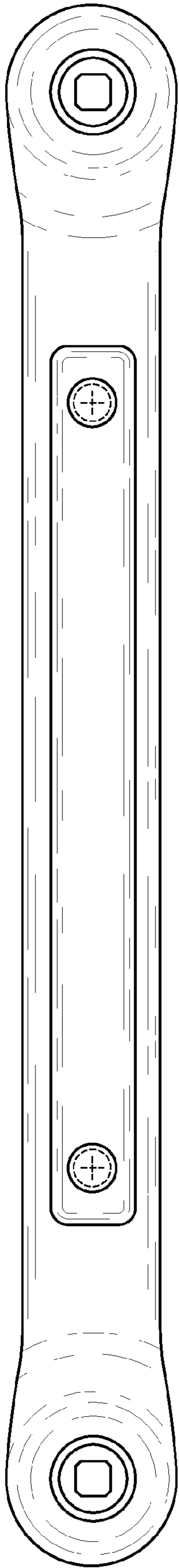


FIG. 2

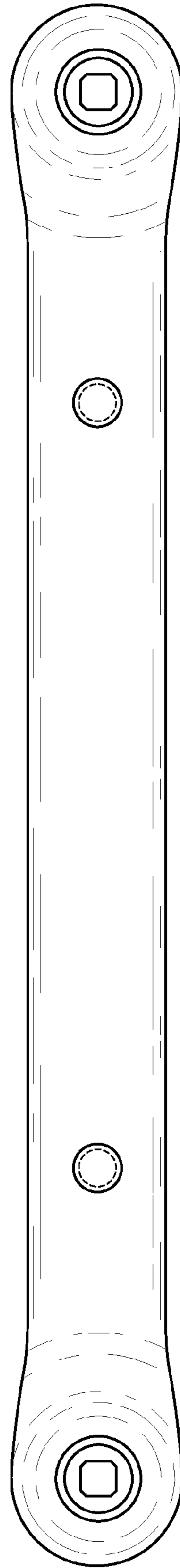


FIG. 3

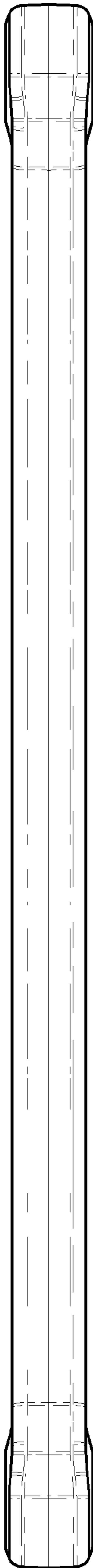


FIG. 4

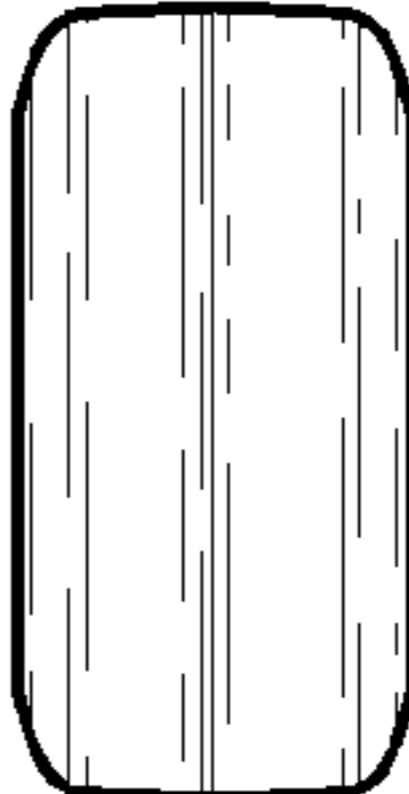


FIG. 5