



US00D607287S

(12) **United States Design Patent**  
**Beasley et al.**

(10) **Patent No.:** **US D607,287 S**  
(45) **Date of Patent:** **\*\* Jan. 5, 2010**

(54) **TACO SHELL BENDING AND COOKING DEVICE**

(76) Inventors: **Diana F. Beasley**, 3626 Huerta Dr., Las Vegas, NV (US) 89121; **Michael G. Beasley**, 3626 Huerta Dr., Las Vegas, NV (US) 89121

(\*\*) Term: **14 Years**

(21) Appl. No.: **29/327,495**

(22) Filed: **Nov. 6, 2008**

(51) **LOC (9) Cl.** ..... **07-04**

(52) **U.S. Cl.** ..... **D7/687; D7/674**

(58) **Field of Classification Search** ..... D7/368, D7/669, 683, 686, 687; 294/99.1, 99.2, 118  
See application file for complete search history.

(56) **References Cited**

**U.S. PATENT DOCUMENTS**

2,887,948	A *	5/1959	Kramer et al.	.....	100/213
3,020,826	A	2/1962	Silva		
3,693,537	A	9/1972	Johnson et al.		
3,817,163	A	6/1974	Kizziar et al.		
D249,219	S	9/1978	Stence		

4,154,155	A *	5/1979	Brignall	.....	99/426
4,154,156	A	5/1979	Brignall		
4,517,887	A	5/1985	Childress		
D366,399	S *	1/1996	LaBocchetta	.....	D7/687
D503,593	S *	4/2005	Walker	.....	D7/672

\* cited by examiner

*Primary Examiner*—Charles A Rademaker

*Assistant Examiner*—Dana L Sipos

(57) **CLAIM**

The ornamental design for a taco shell bending and cooking device, as shown.

**DESCRIPTION**

FIG. 1 is a top, front, right side perspective view of a taco shell bending and cooking device showing my new design;

FIG. 2 is a right side elevation view thereof;

FIG. 3 is a left side elevation view thereof;

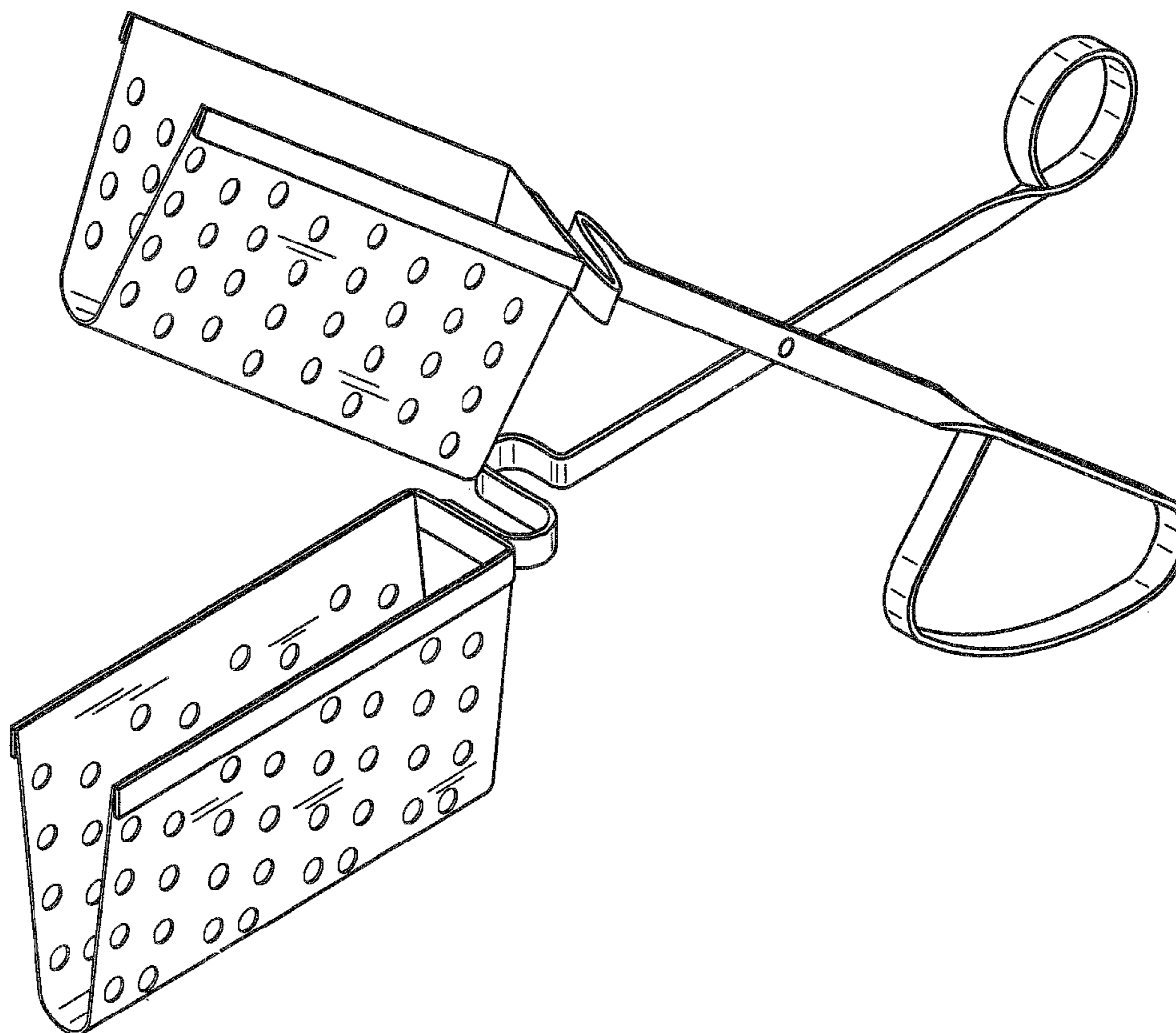
FIG. 4 is a front elevation view thereof;

FIG. 5 is a rear elevation view thereof;

FIG. 6 is a top plan view thereof; and,

FIG. 7 is a bottom plan view thereof.

**1 Claim, 4 Drawing Sheets**



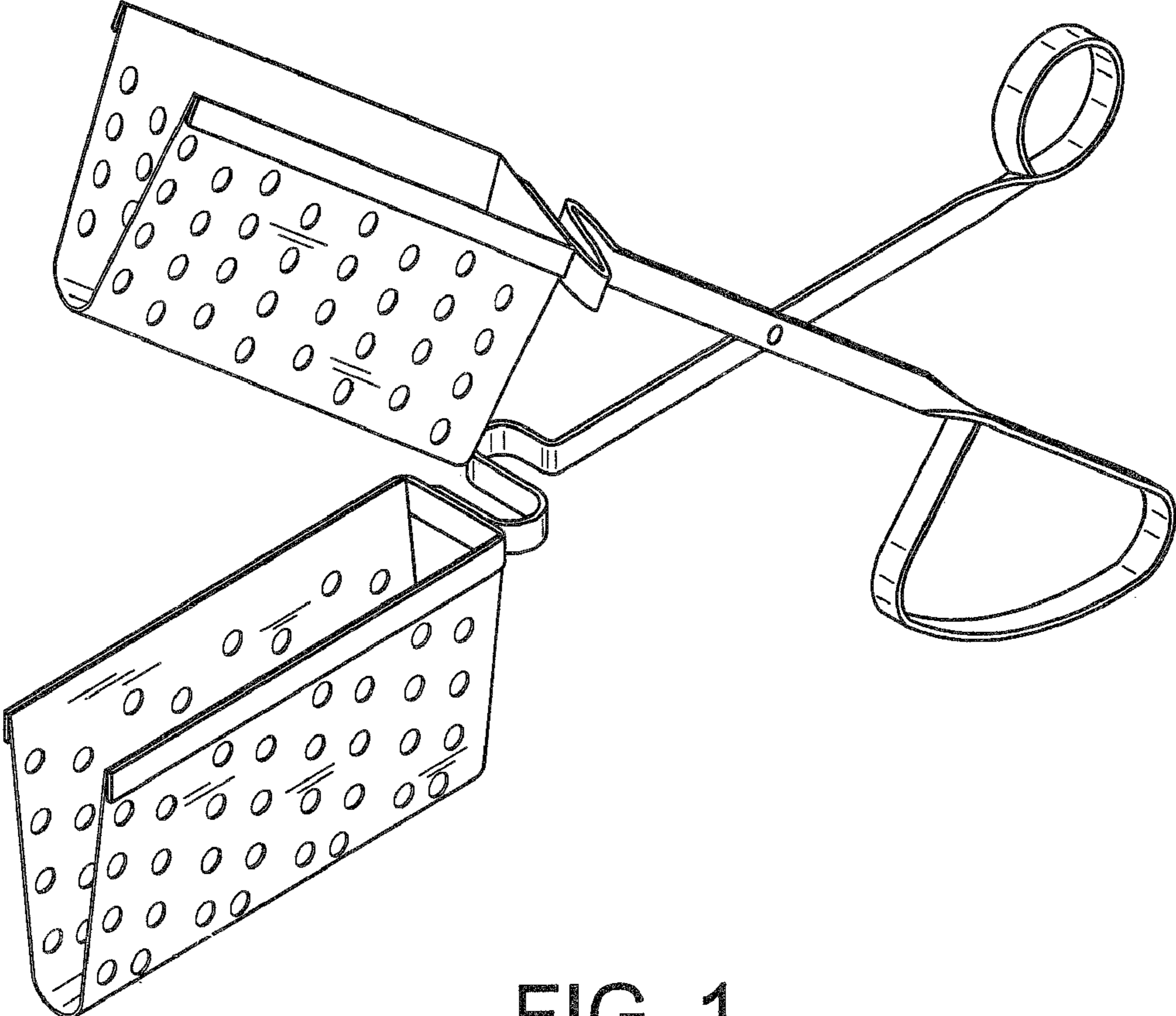


FIG. 1

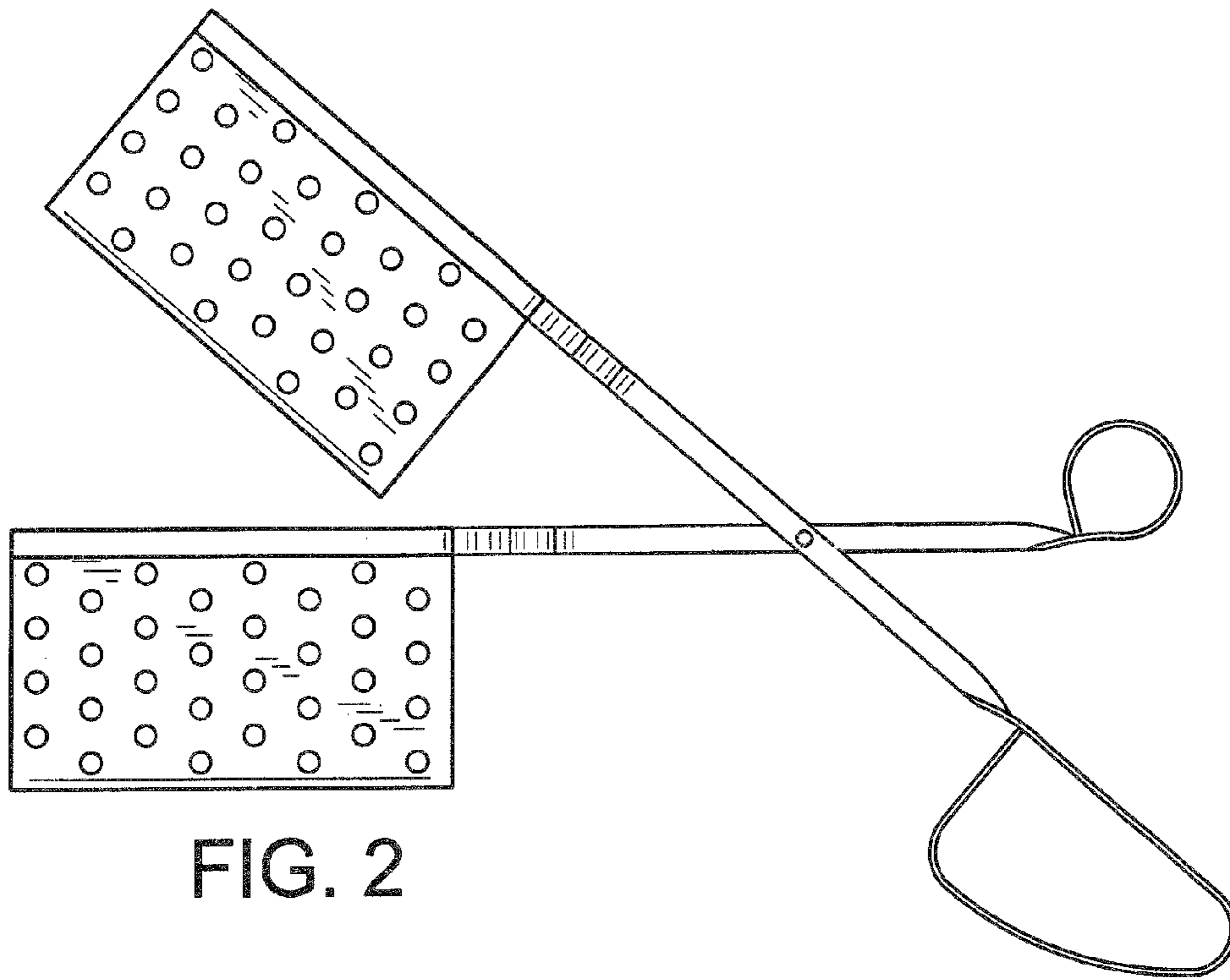


FIG. 2

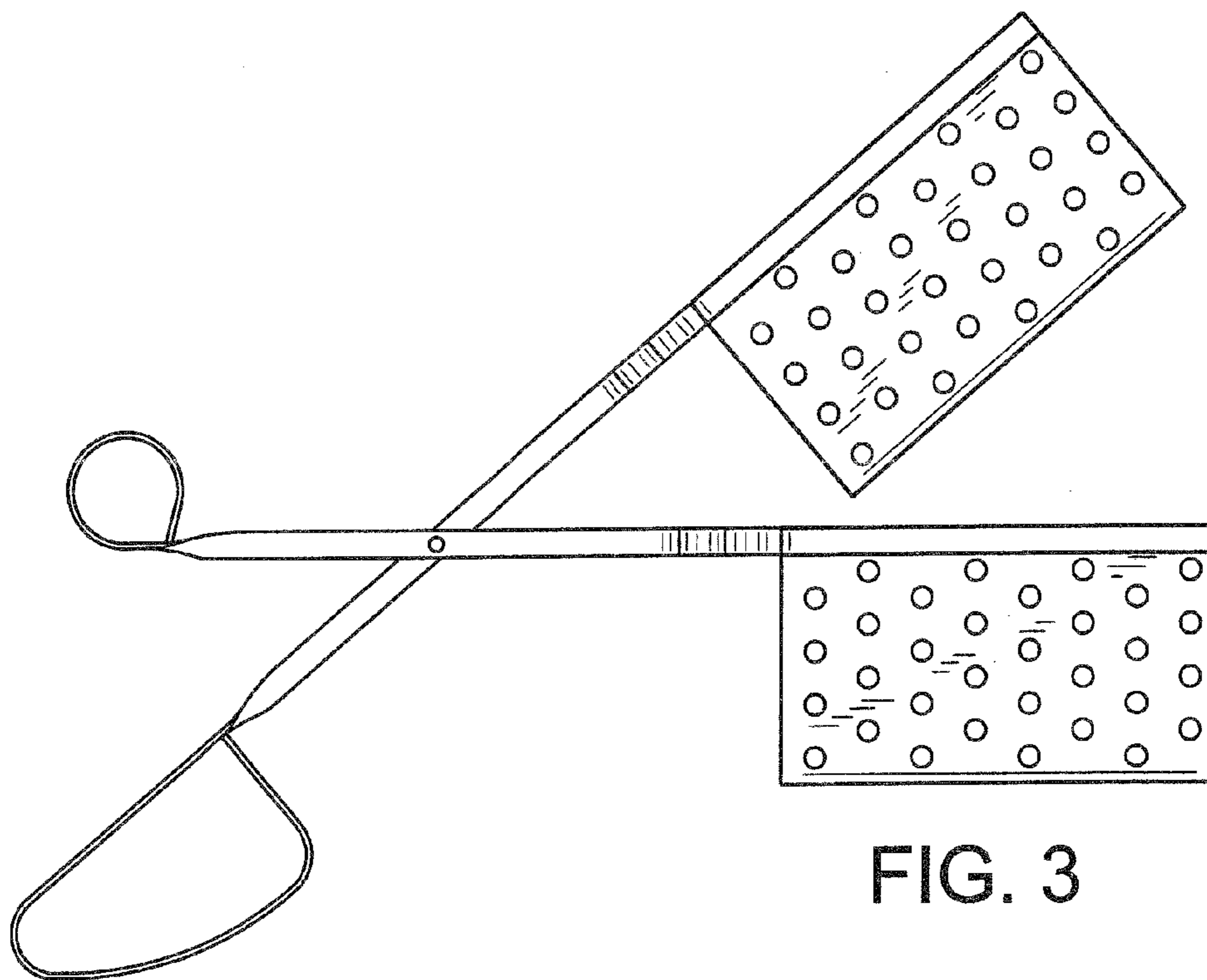


FIG. 3

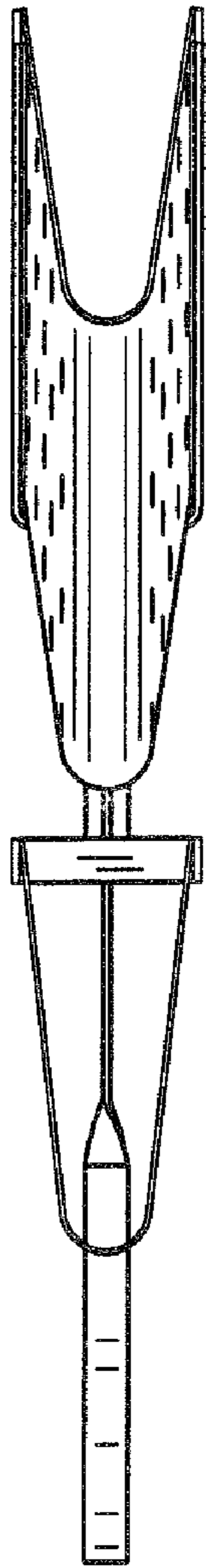


FIG. 4

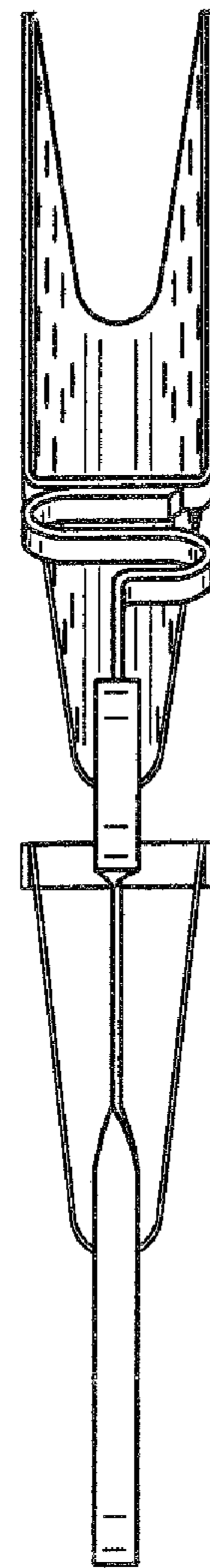


FIG. 5

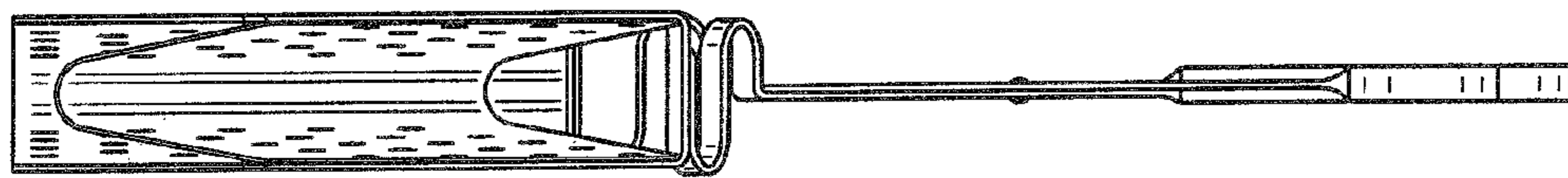


FIG. 6

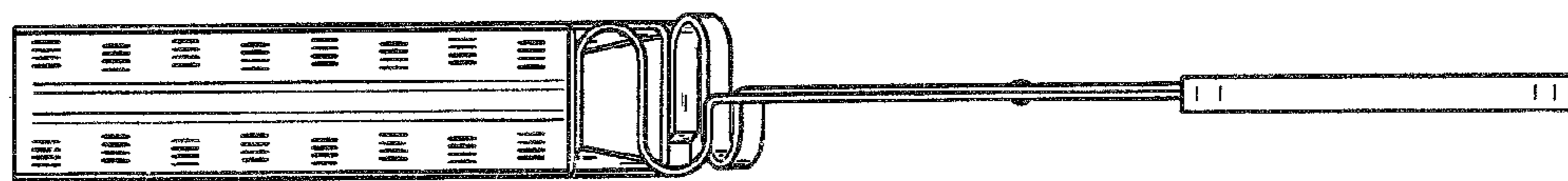


FIG. 7