



US00D607282S

(12) **United States Design Patent**  
**Furlong**

(10) **Patent No.:** **US D607,282 S**  
(45) **Date of Patent:** **\*\* Jan. 5, 2010**

(54) **FOOD STORAGE CONTAINER BASE**

*Primary Examiner*—Terry A Wallace  
(74) *Attorney, Agent, or Firm*—Lempia Braidwood LLC

(75) **Inventor:** **Brian Douglas Furlong**, Davidson, NC  
(US)

(57) **CLAIM**

(73) **Assignee:** **Rubbermaid Incorporated**,  
Huntersville, NC (US)

The ornamental design for a “food storage container base,” as shown and described.

(\*\*) **Term:** **14 Years**

**DESCRIPTION**

(21) **Appl. No.:** **29/331,513**

FIG. 1 is a top, front, and left side perspective view showing my new design for a food storage container base;

(22) **Filed:** **Jan. 27, 2009**

FIG. 2 is a front view of the food storage container base shown in FIG. 1, the rear view being a mirror image thereof;

(51) **LOC (9) Cl.** ..... **07-07**

(52) **U.S. Cl.** ..... **D7/602**

FIG. 3 is a left side view of the food storage container base shown in FIG. 1, the right side view being a mirror image thereof;

(58) **Field of Classification Search** ..... D7/601,  
D7/602, 629, 538–549; D9/414, 424–432;  
220/780–806, 574–575

FIG. 4 is a top view of the food storage container base shown in FIG. 1;

See application file for complete search history.

FIG. 5 is a bottom view of the food storage container base shown in FIG. 1;

(56) **References Cited**

**U.S. PATENT DOCUMENTS**

D248,142 S	6/1978	Greger	
D279,252 S	6/1985	Daenen et al.	
D279,253 S	6/1985	Daenen et al.	
4,700,842 A	10/1987	Grusin	
D355,814 S	2/1995	VanValkenburg et al.	
D372,170 S	7/1996	Ahern	
5,624,051 A	4/1997	Ahern	
D384,555 S	10/1997	Bradley	
D417,367 S	12/1999	Laib	
D419,829 S	2/2000	Wilson et al.	
D446,085 S	8/2001	Dretzka	
D449,495 S	10/2001	Tucker et al.	
D465,887 S *	11/2002	Begnani	D32/35
D475,620 S	6/2003	Chen et al.	
D477,186 S *	7/2003	de Groote et al.	D7/543
D511,073 S *	11/2005	Luna et al.	D7/602
D514,389 S *	2/2006	Luna et al.	D7/602
D530,625 S	10/2006	Darin	
D539,100 S *	3/2007	Zhao	D7/629
D573,414 S *	7/2008	Bellon	D7/602

FIG. 6 is a perspective exploded view of the food storage container base shown in FIG. 1 with an exemplary lid;

FIG. 7 is a top, front, and left side perspective view showing an alternate embodiment of my new design for a food storage container base of a different size;

FIG. 8 is a front view of the food storage container base shown in FIG. 7, the rear view being a mirror image thereof;

FIG. 9 is a left side view of the food storage container base shown in FIG. 7, the right side view being a mirror image thereof;

FIG. 10 is a top view of the food storage container base shown in FIG. 7;

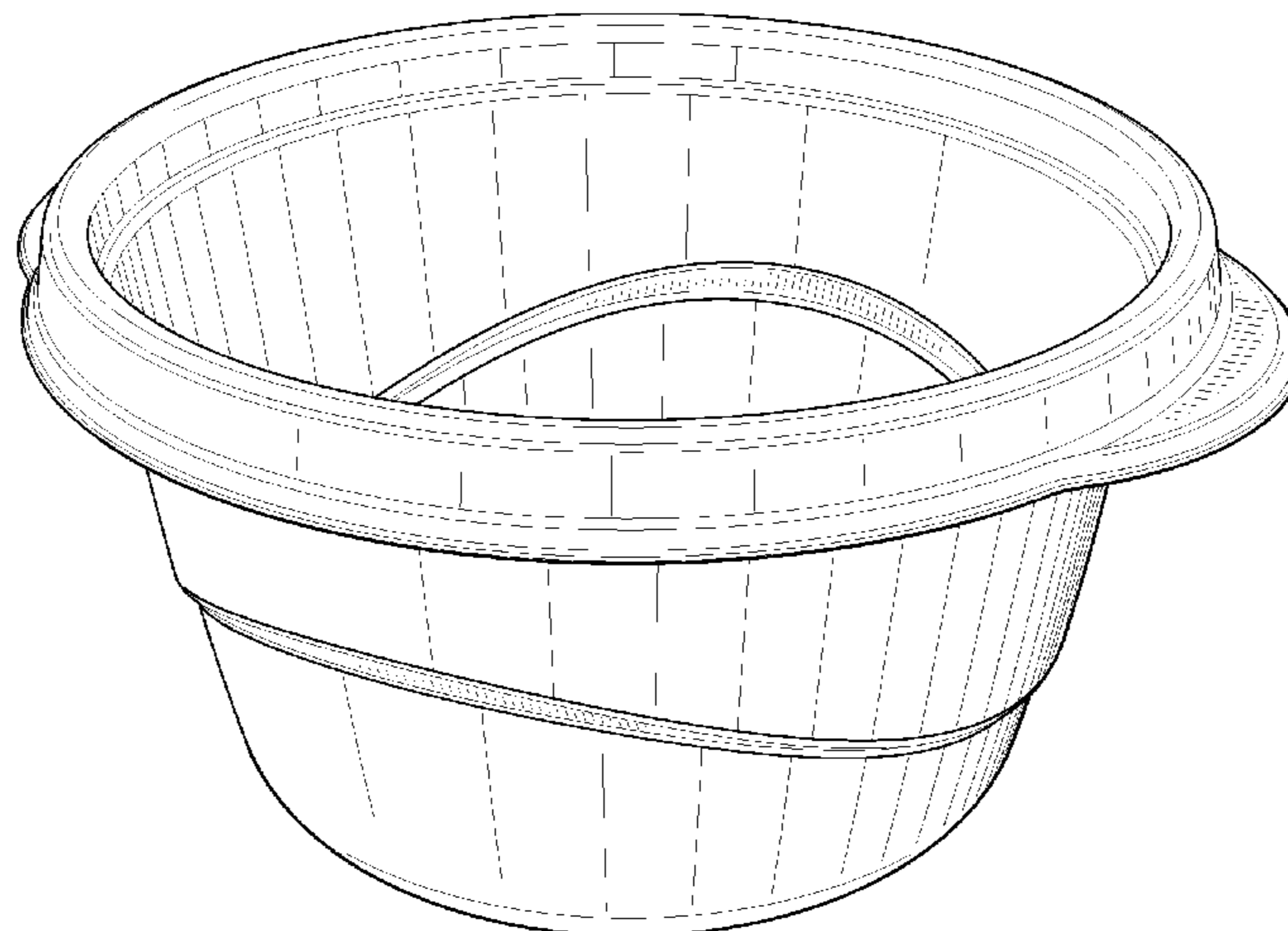
FIG. 11 is a bottom view of the food storage container base shown in FIG. 7; and,

FIG. 12 is a perspective exploded view of the food storage container base shown in FIG. 7 with an exemplary lid.

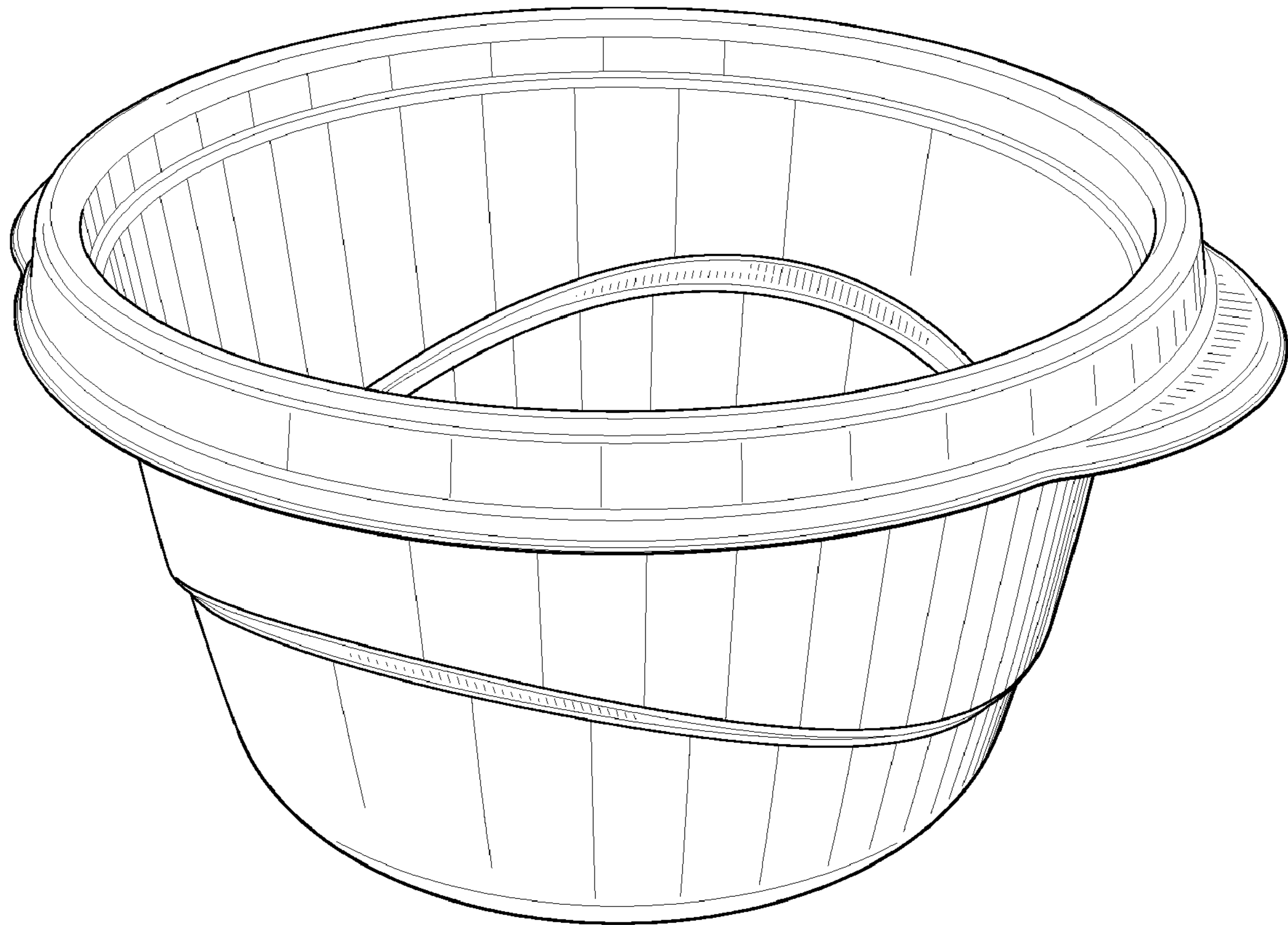
The subject matter shown in dashed lines is for illustrative purposes only and forms no part of the claimed design.

\* cited by examiner

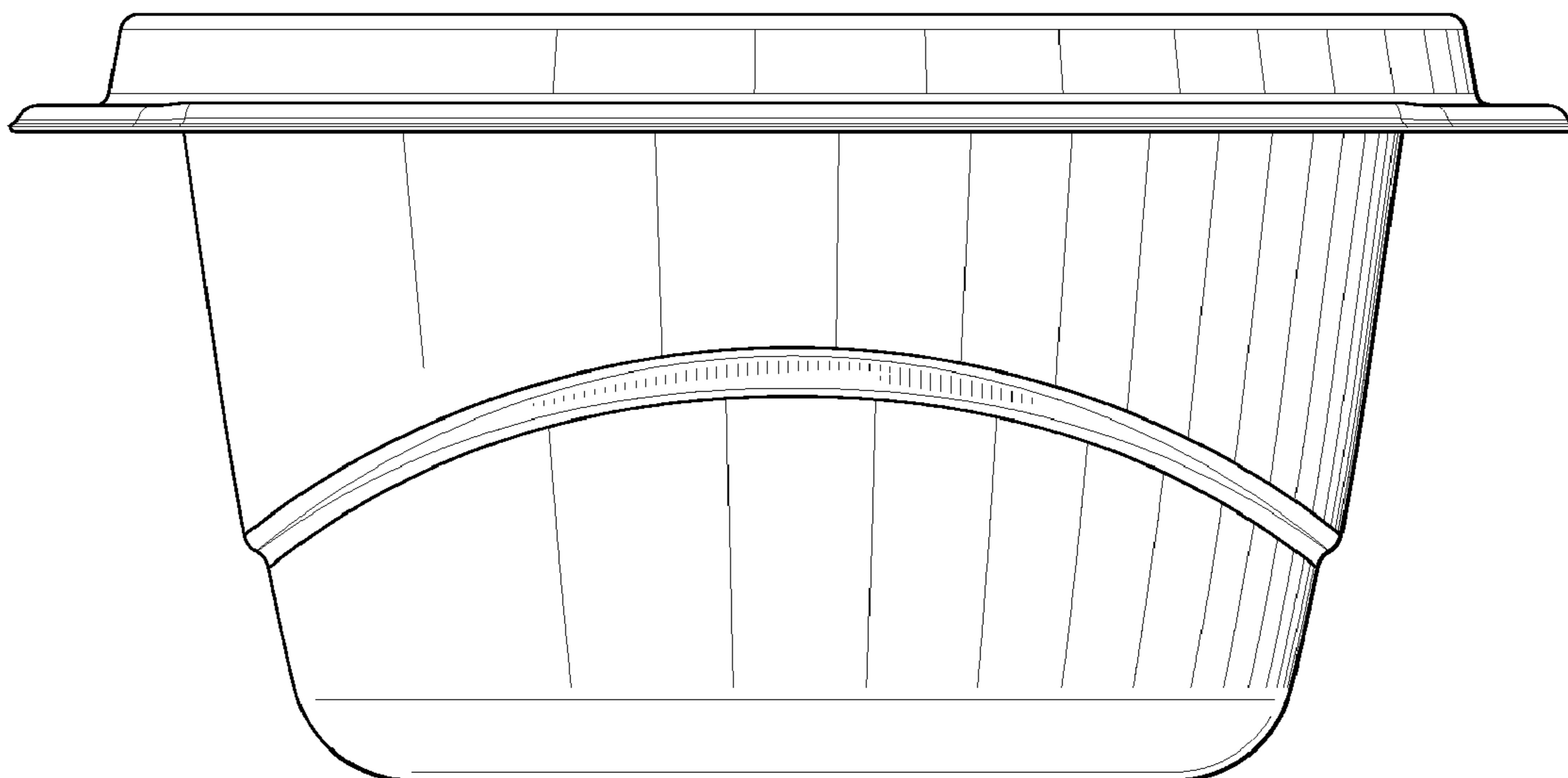
**1 Claim, 8 Drawing Sheets**



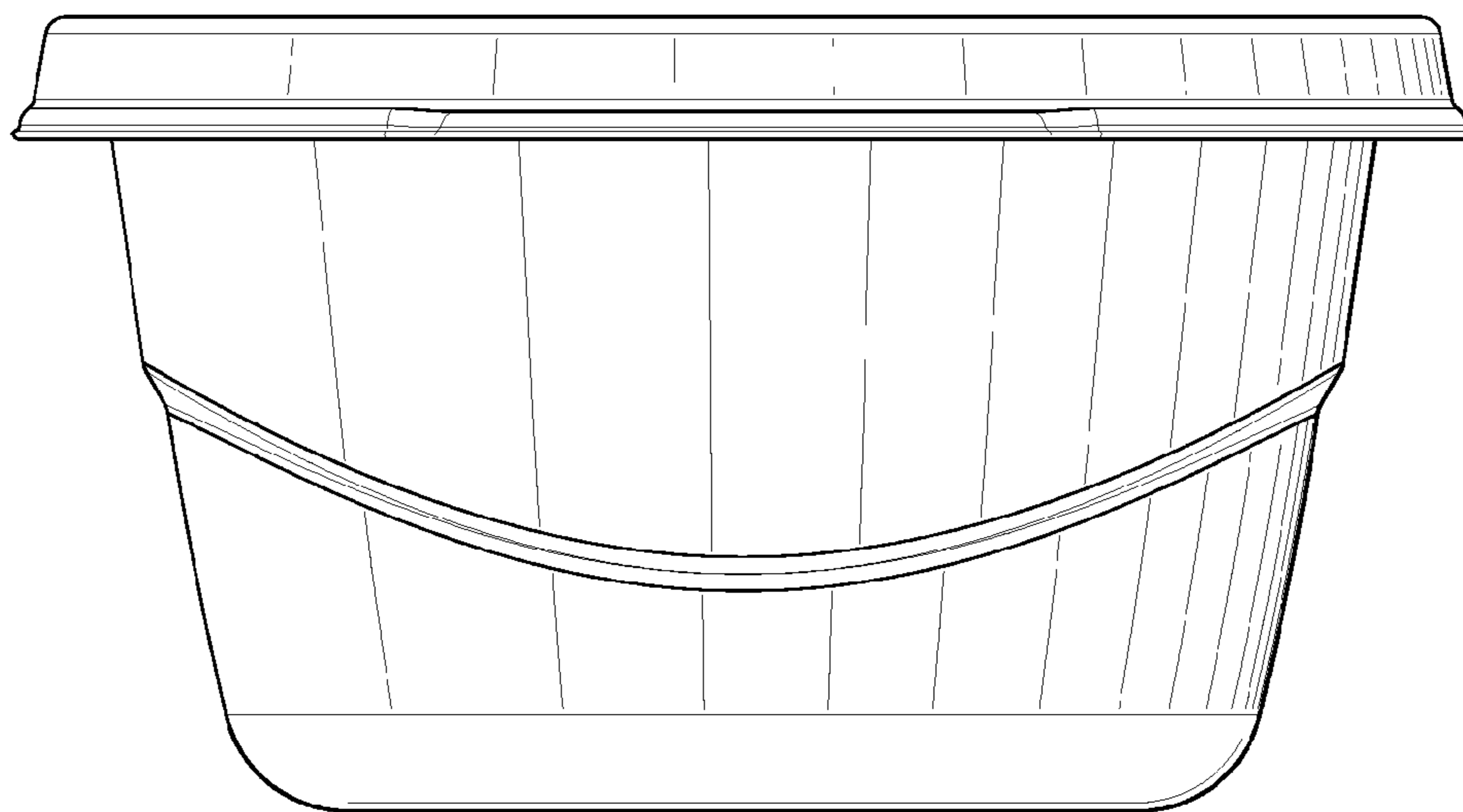
**FIG. 1**



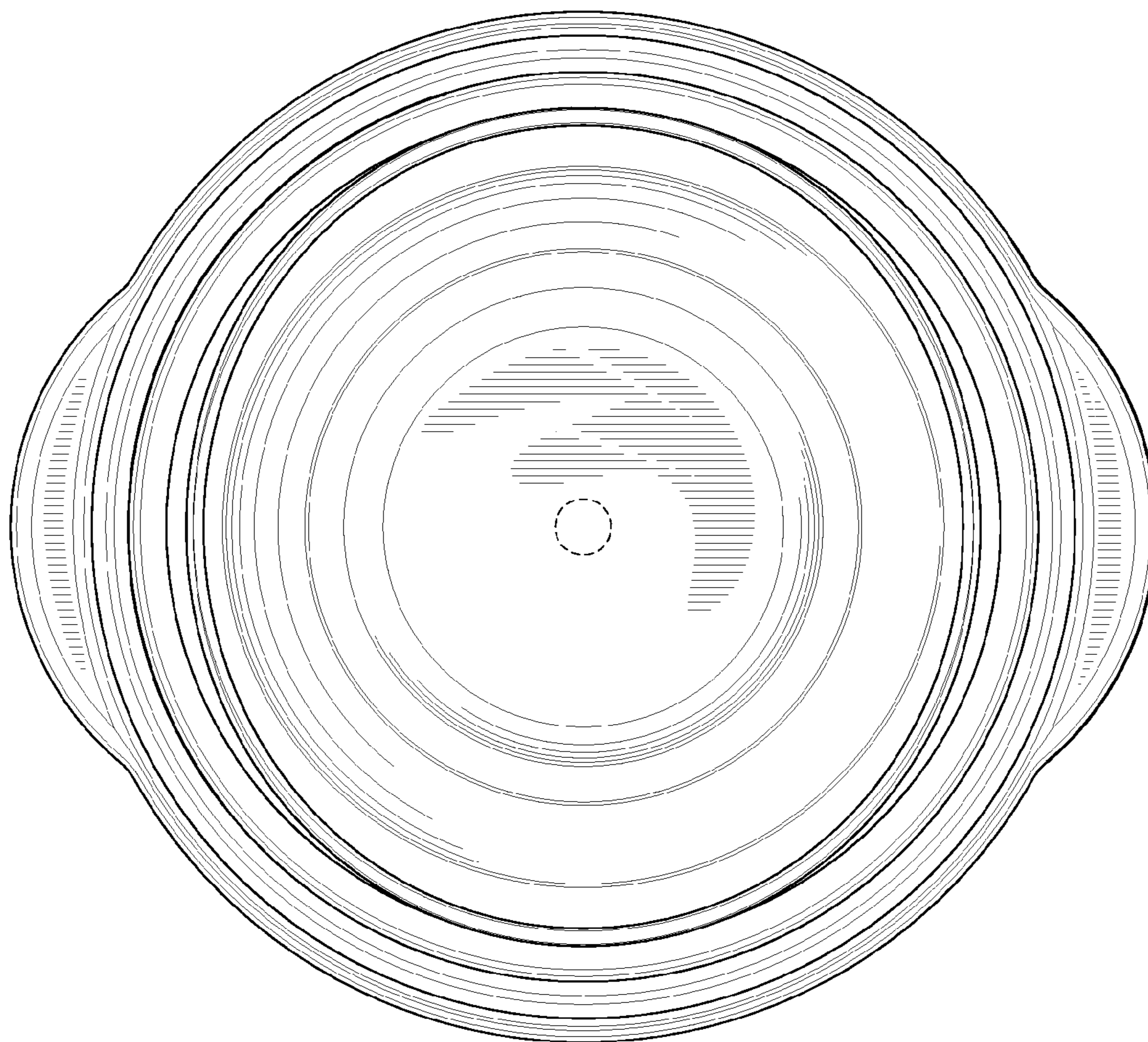
**FIG. 2**



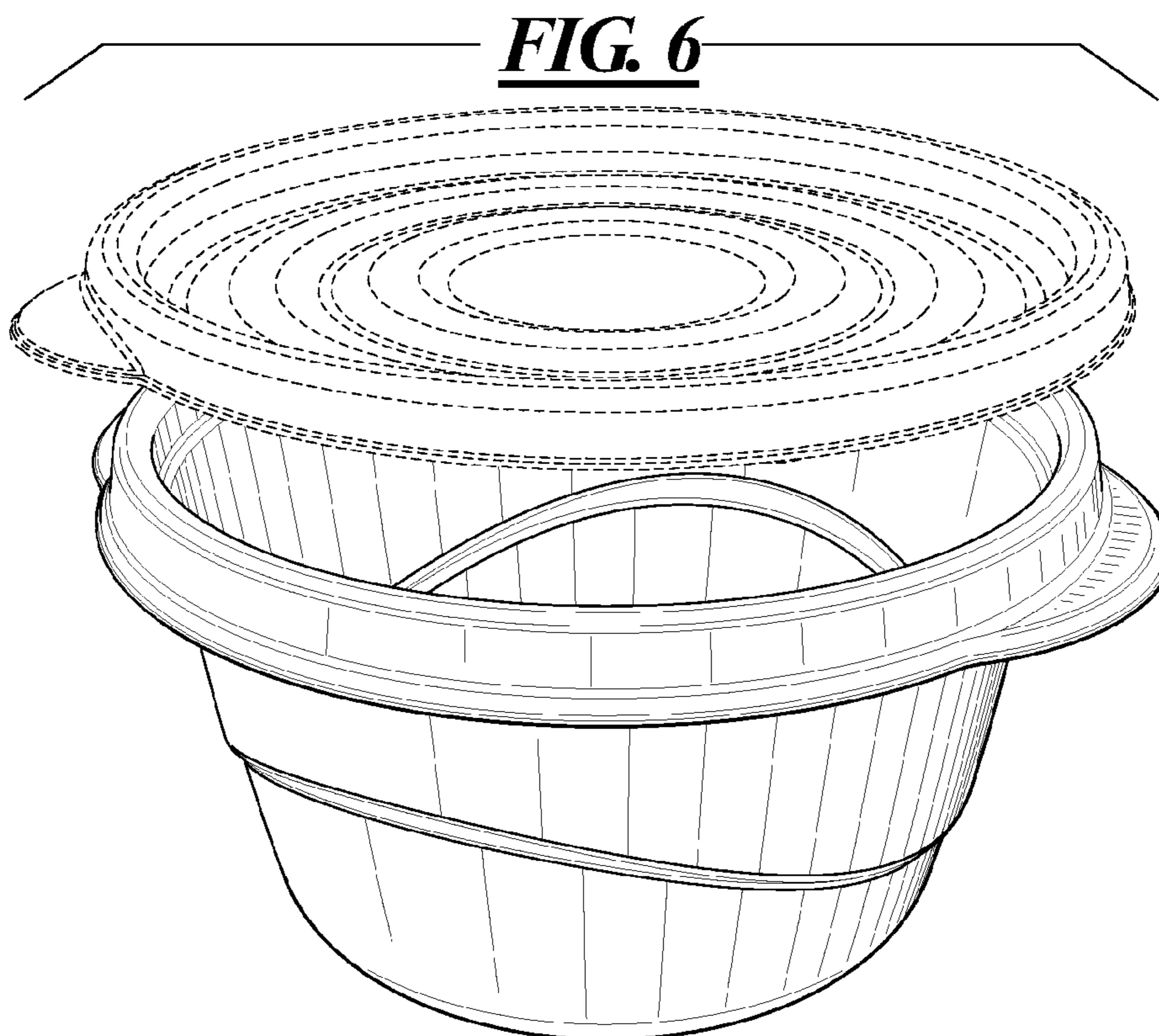
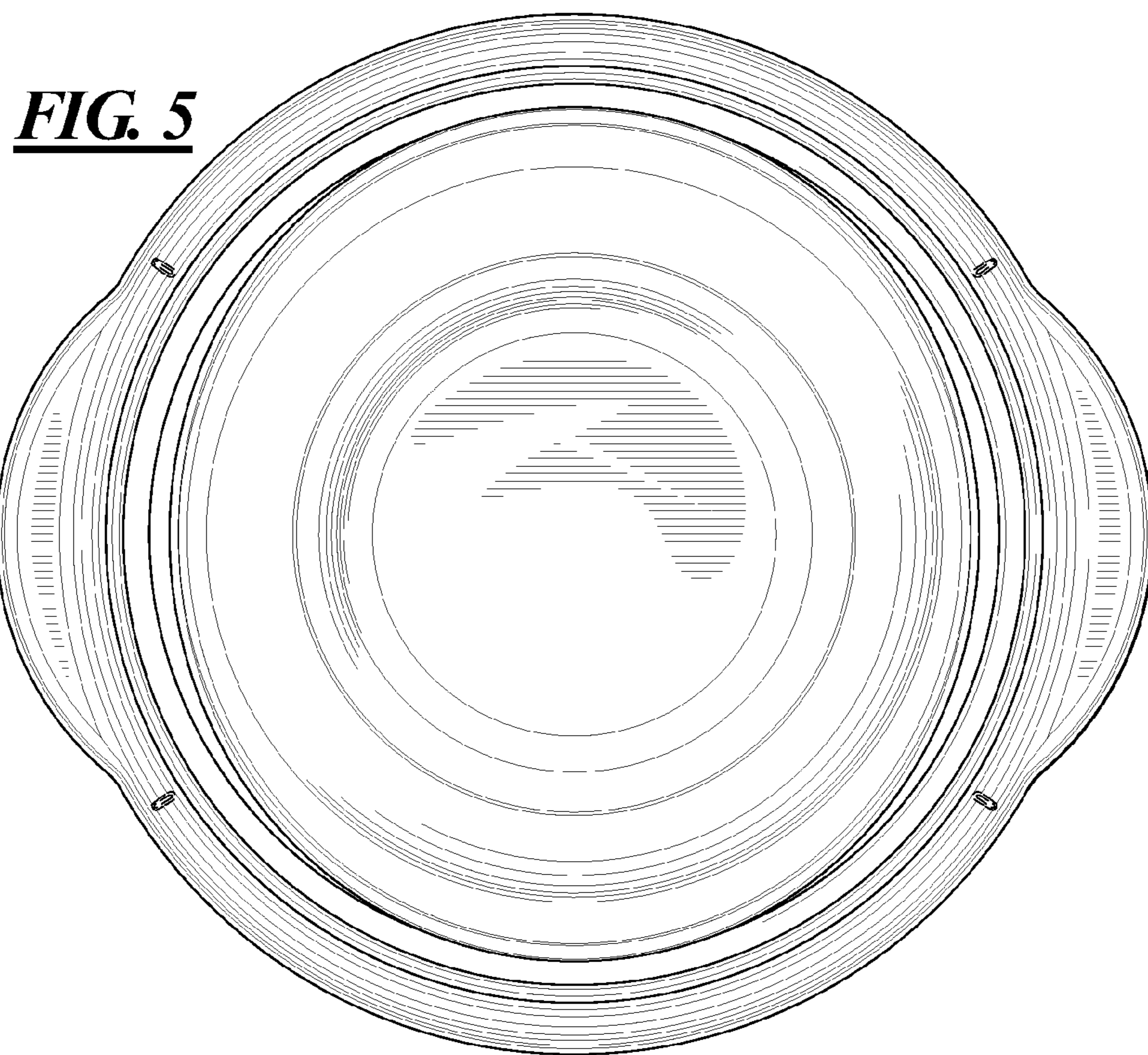
**FIG. 3**

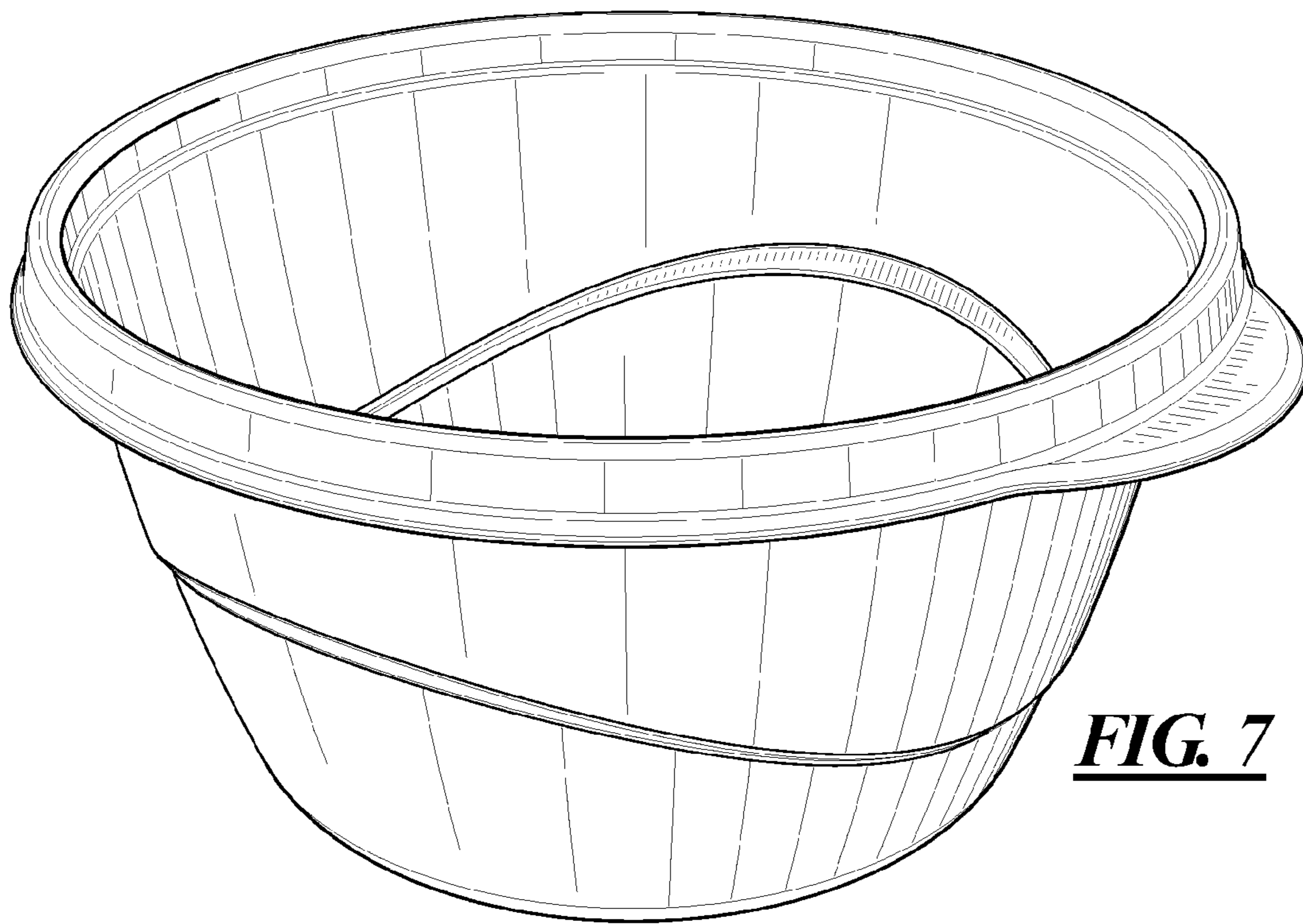


**FIG. 4**

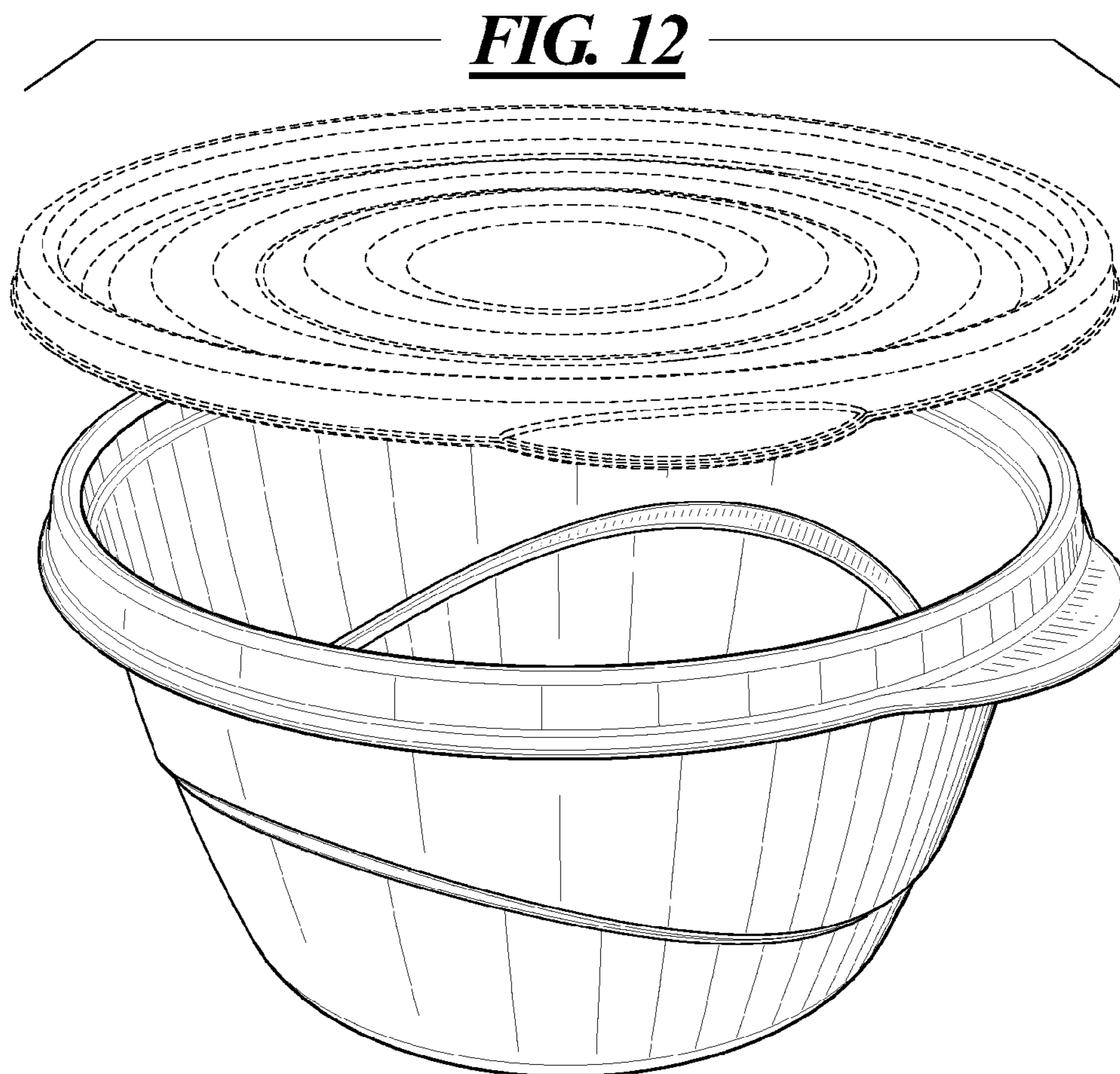






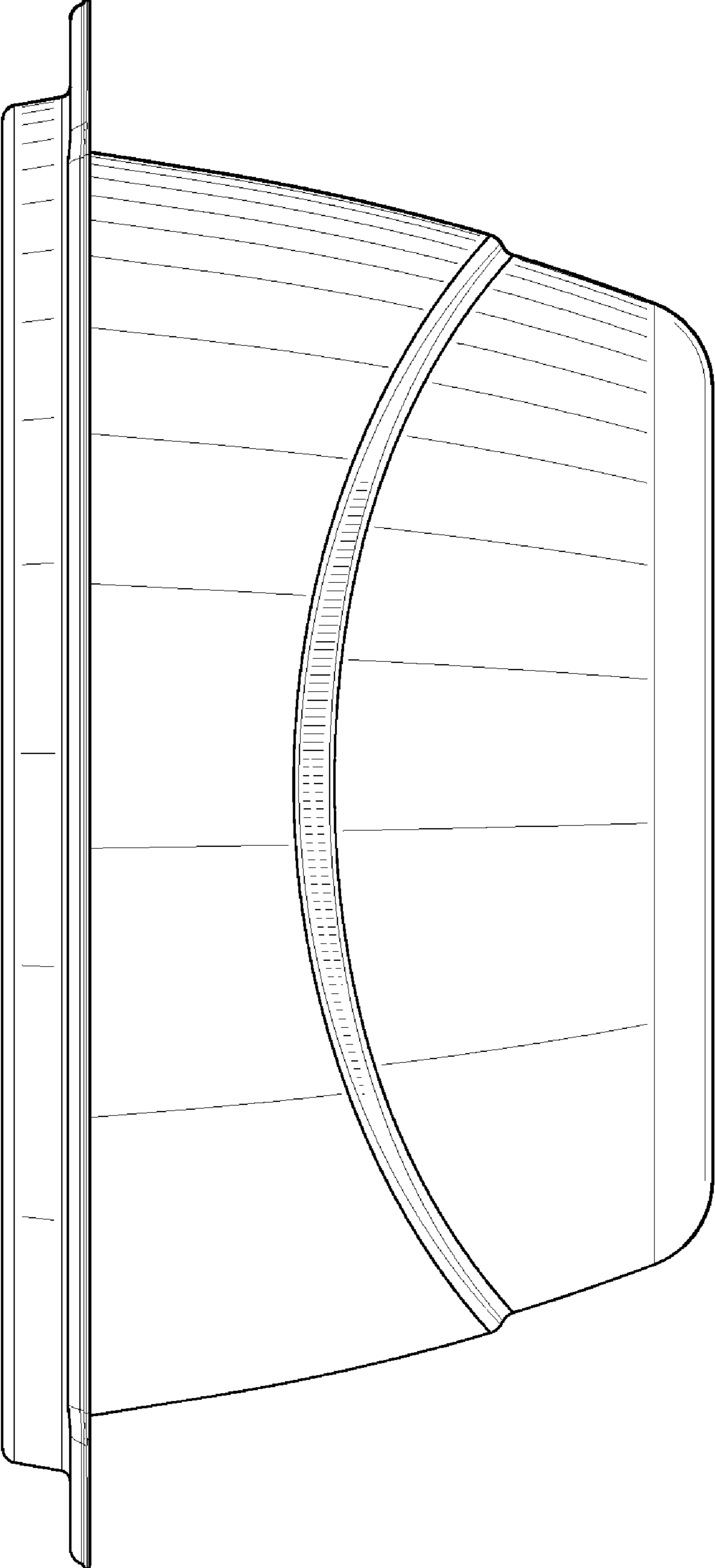


**FIG. 7**

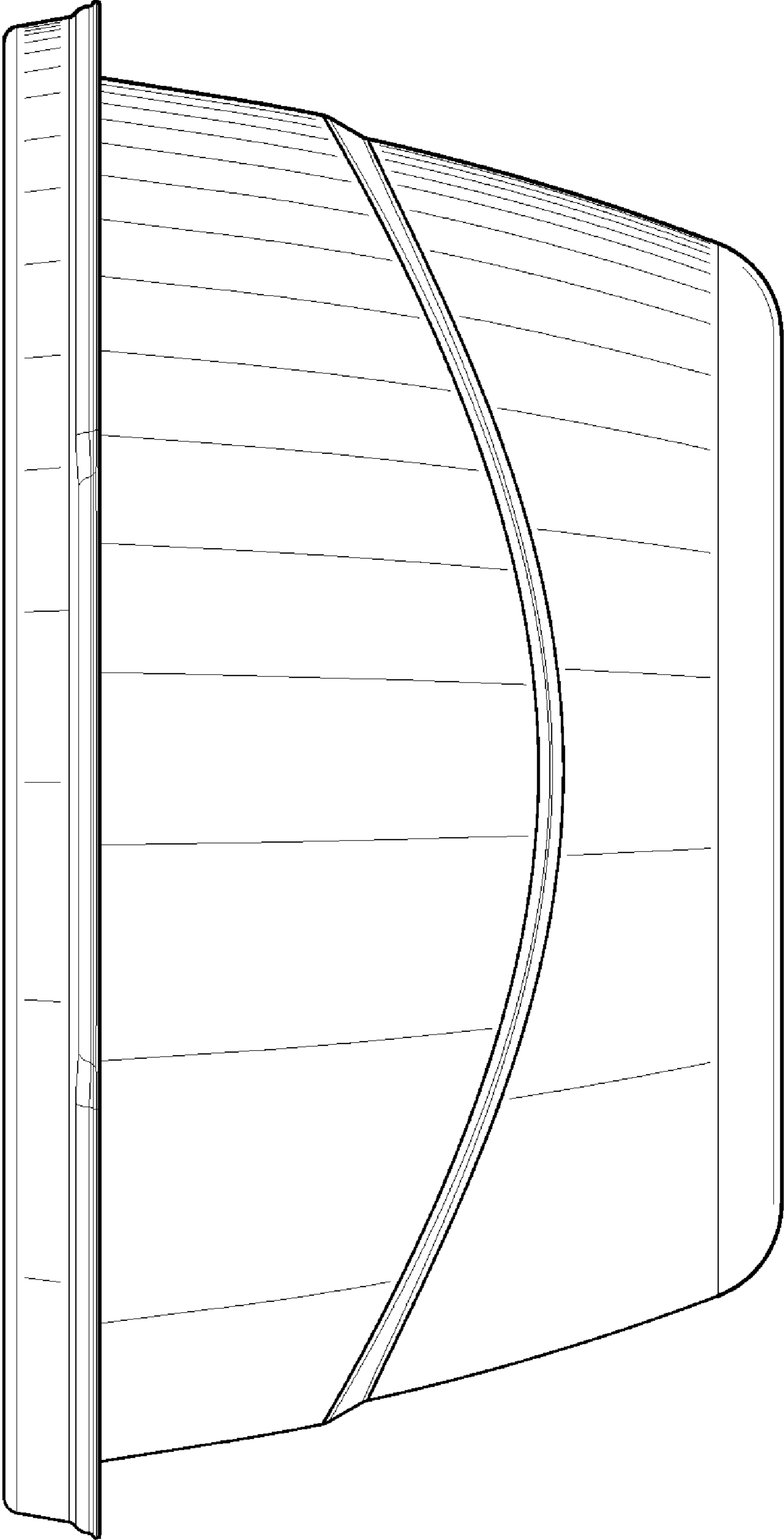


**FIG. 12**

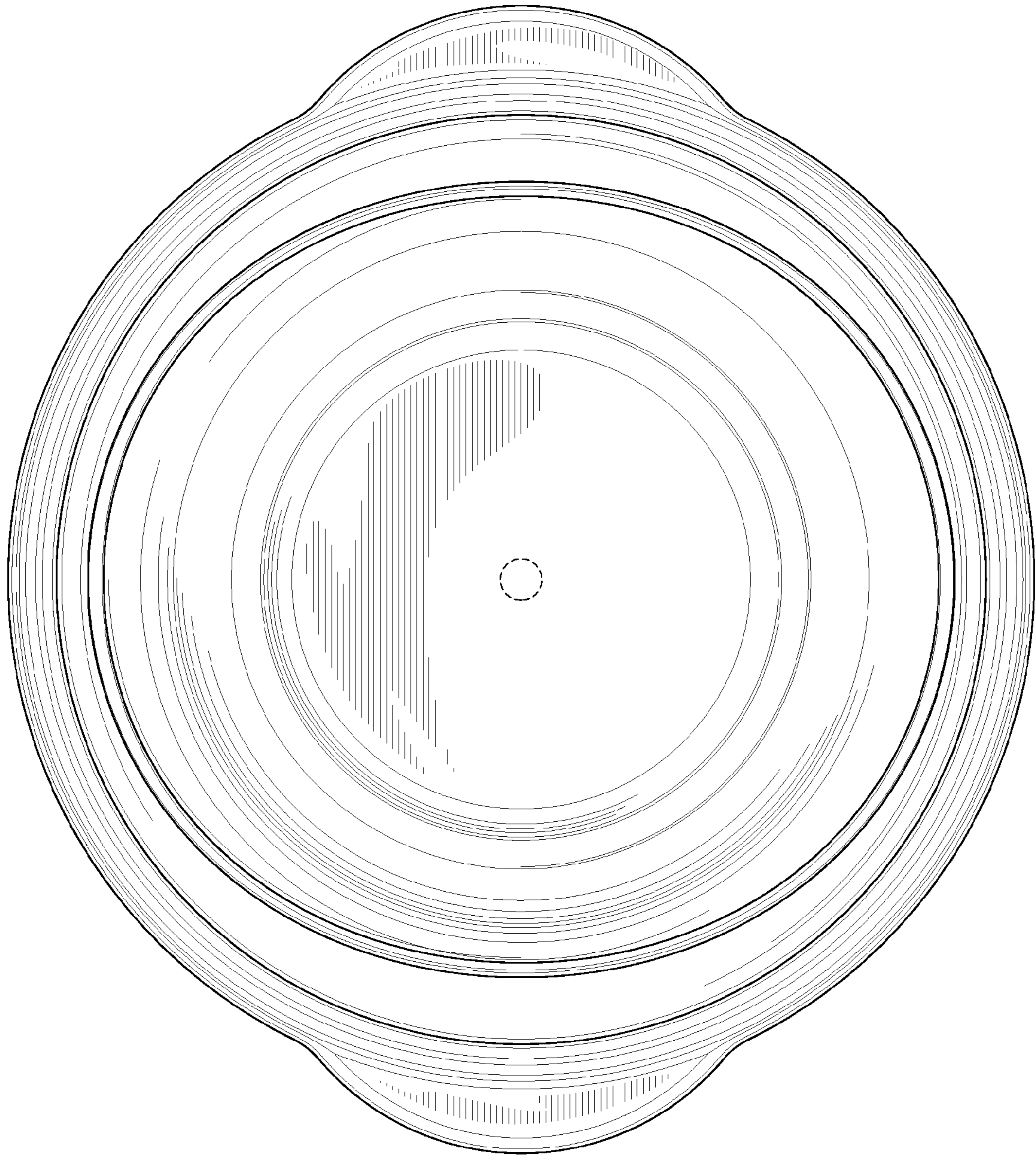
**FIG. 8**



**FIG. 9**

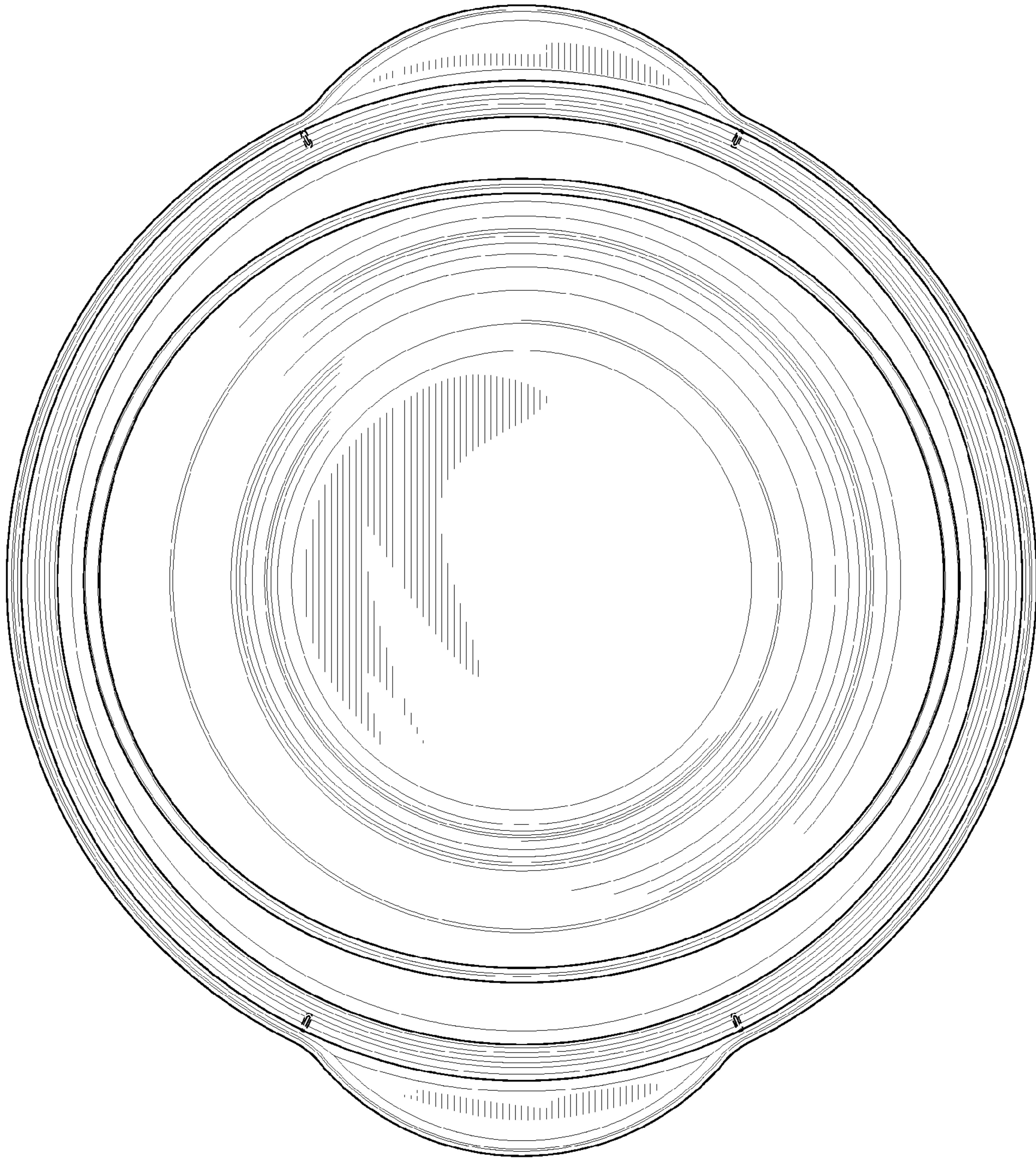






**FIG. 10**





**FIG. 11**