



US00D607281S

(12) **United States Design Patent**  
**Meyers**

(10) **Patent No.:** **US D607,281 S**  
(45) **Date of Patent:** **\*\* Jan. 5, 2010**

(54) **COLLAPSIBLE BOWL**

(75) Inventor: **Claude Meyers**, Pasadena, CA (US)

(73) Assignee: **Farfetched Incorporated**, Pasadena, CA (US)

(\*\*) Term: **14 Years**

(21) Appl. No.: **29/282,899**

(22) Filed: **Jul. 31, 2007**

(51) **LOC (9) Cl.** ..... **07-01**

(52) **U.S. Cl.** ..... **D7/571; D7/554.3; D7/551.3; D9/433; D30/129**

(58) **Field of Classification Search** ..... D3/283, D3/302; 229/117.05, 119, 114, 4.5, 400, 229/165, 101, 103, 179, 117.1, 147; 273/148 R, 273/148 B; D9/433, 307, 601; 206/427; D7/578, 400, 506, 500, 516, 515, 519, 539, D7/541, 544, 545, 551.1, 555, 556, 566, 567, D7/571-573; D1/105, 106

See application file for complete search history.

(56) **References Cited**

**U.S. PATENT DOCUMENTS**

D167,269	S	*	7/1952	Mandelko	.....	D7/551.3
D249,218	S	*	9/1978	Mathison et al.	.....	D9/433
4,174,051	A	*	11/1979	Edwards et al.	.....	222/105
4,235,346	A	*	11/1980	Liggett	.....	220/7
5,054,611	A	*	10/1991	Russomanno et al.	....	206/45.28
5,284,294	A	*	2/1994	Floyd	.....	229/179
D349,851	S	*	8/1994	Olsson	.....	D9/422
D375,585	S	*	11/1996	Goetz	.....	D30/130
D389,022	S	*	1/1998	Rausch	.....	D7/710
6,290,229	B1	*	9/2001	Perez	.....	273/148 R
6,612,072	B2	*	9/2003	Busby et al.	.....	47/65.8
D502,576	S	*	3/2005	Miller et al.	.....	D30/161
6,915,606	B2	*	7/2005	Lantier et al.	.....	47/65.8

D511,092	S	*	11/2005	Shea	.....	D9/433
D529,378	S	*	10/2006	Spencer et al.	.....	D9/433
D563,155	S	*	3/2008	Wyllie et al.	.....	D7/387

**OTHER PUBLICATIONS**

www.ORIKASO.com; May 21, 2007 Internet Printout of "Orikaso Fold Flat Products" (1 page).

Planter's Illusions at www.ebay.com; May 21, 2007 Internet Printout of Planter's Illusions "Red Travel and Food Folding Bowl for Pets" (3 pages).

\* cited by examiner

*Primary Examiner*—Robert M Spear

*Assistant Examiner*—Cynthia Underwood

(74) *Attorney, Agent, or Firm*—Law Office of David Hong

(57) **CLAIM**

The ornamental design for a collapsible bowl, as shown and described.

**DESCRIPTION**

FIG. 1 is a perspective view of my new design for a collapsible bowl in the open position;

FIG. 2 is a perspective view of FIG. 1 in the first collapsed position;

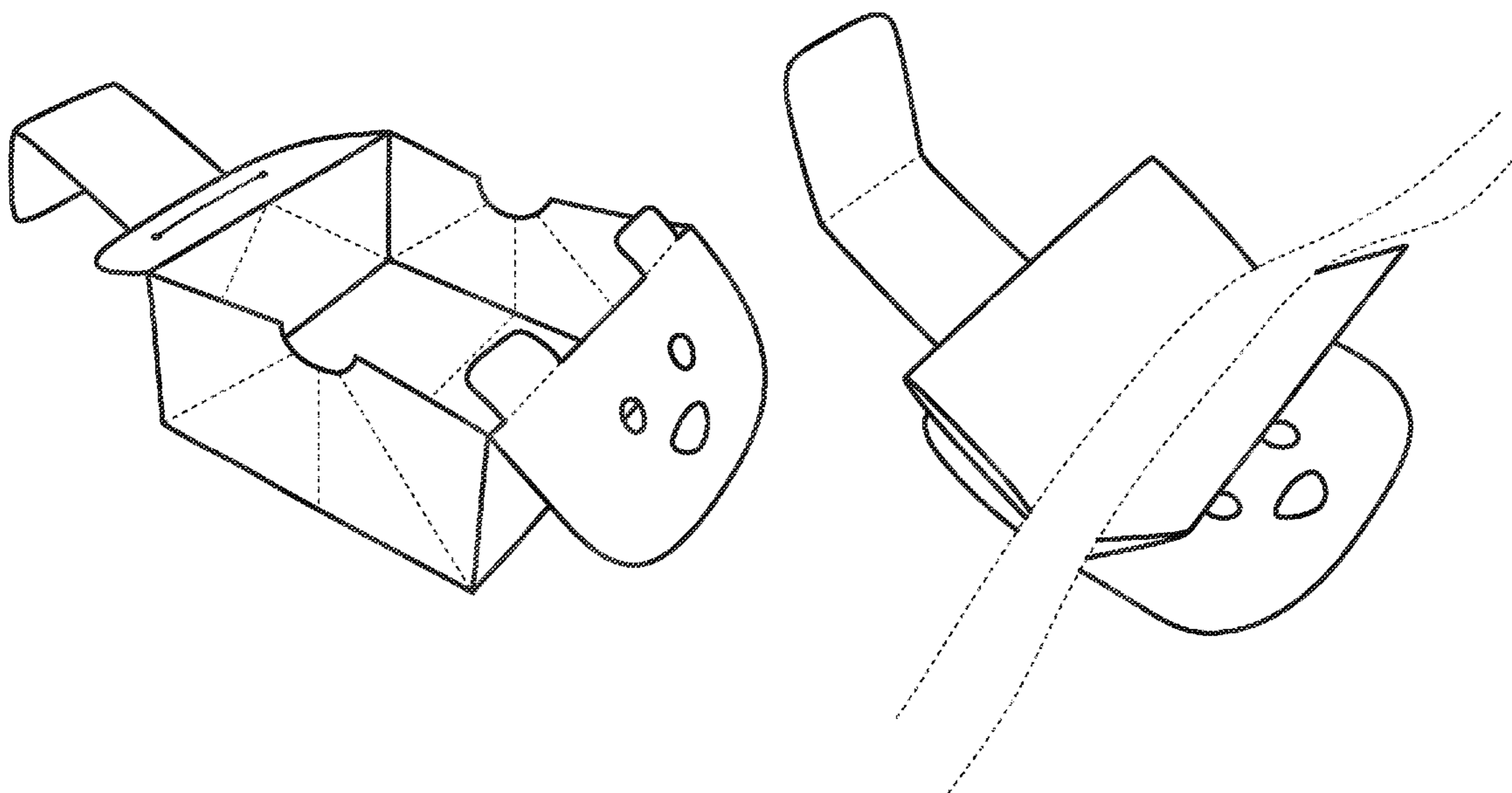
FIG. 3 is a perspective view of FIG. 1 in the second collapsed position;

FIG. 4 is a perspective view of FIG. 1 in the third collapsed position around a leash; and,

FIG. 5 is a perspective view of FIG. 1 in the fourth collapsed or folded position around a leash.

The broken line leash shown in FIGS. 4 and 5 is included for the purpose of showing the item in use and forms no part of the claim. The broken lines shown on the structure of the item represent fold lines and form no part of the claim.

**1 Claim, 5 Drawing Sheets**



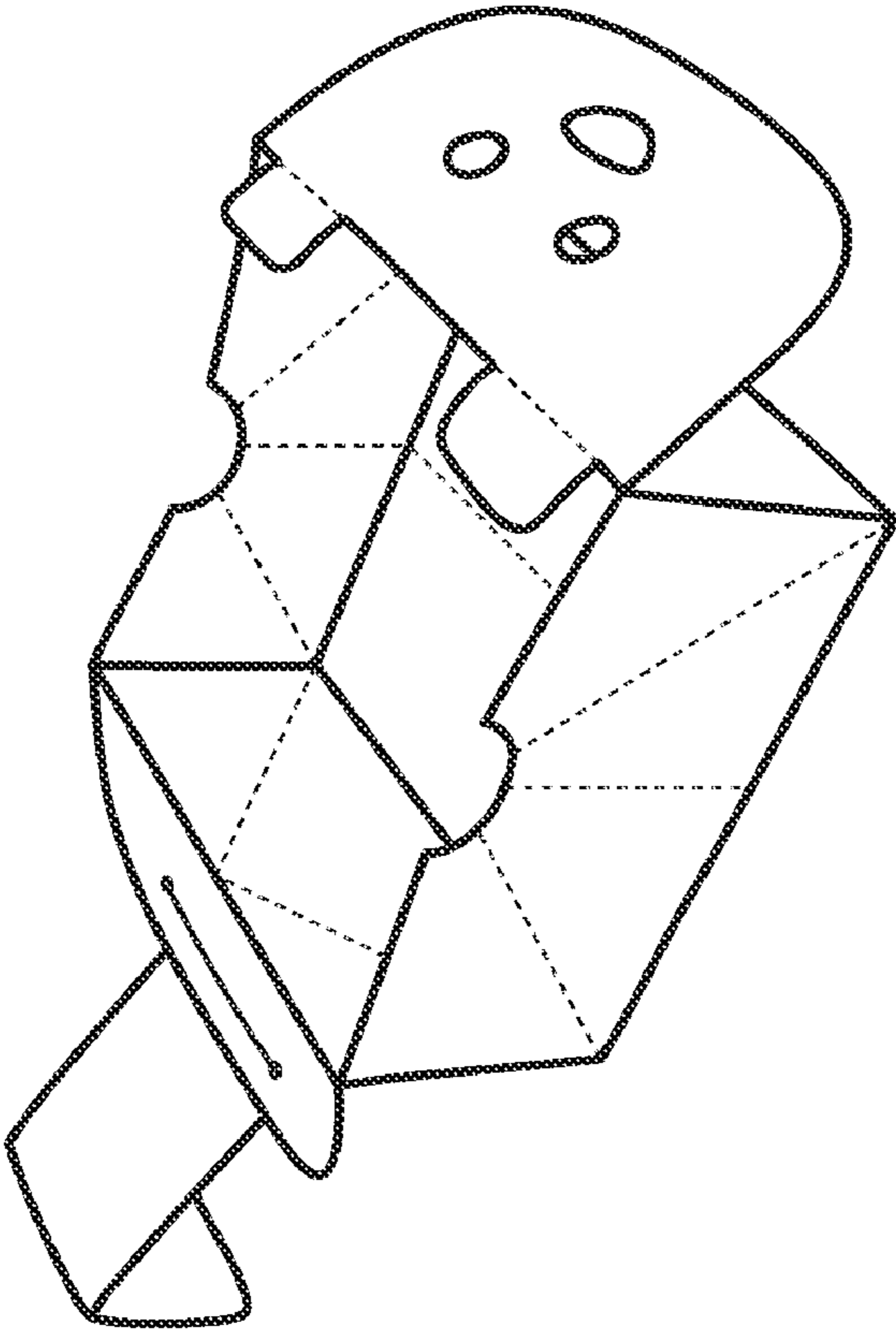


Fig. 1

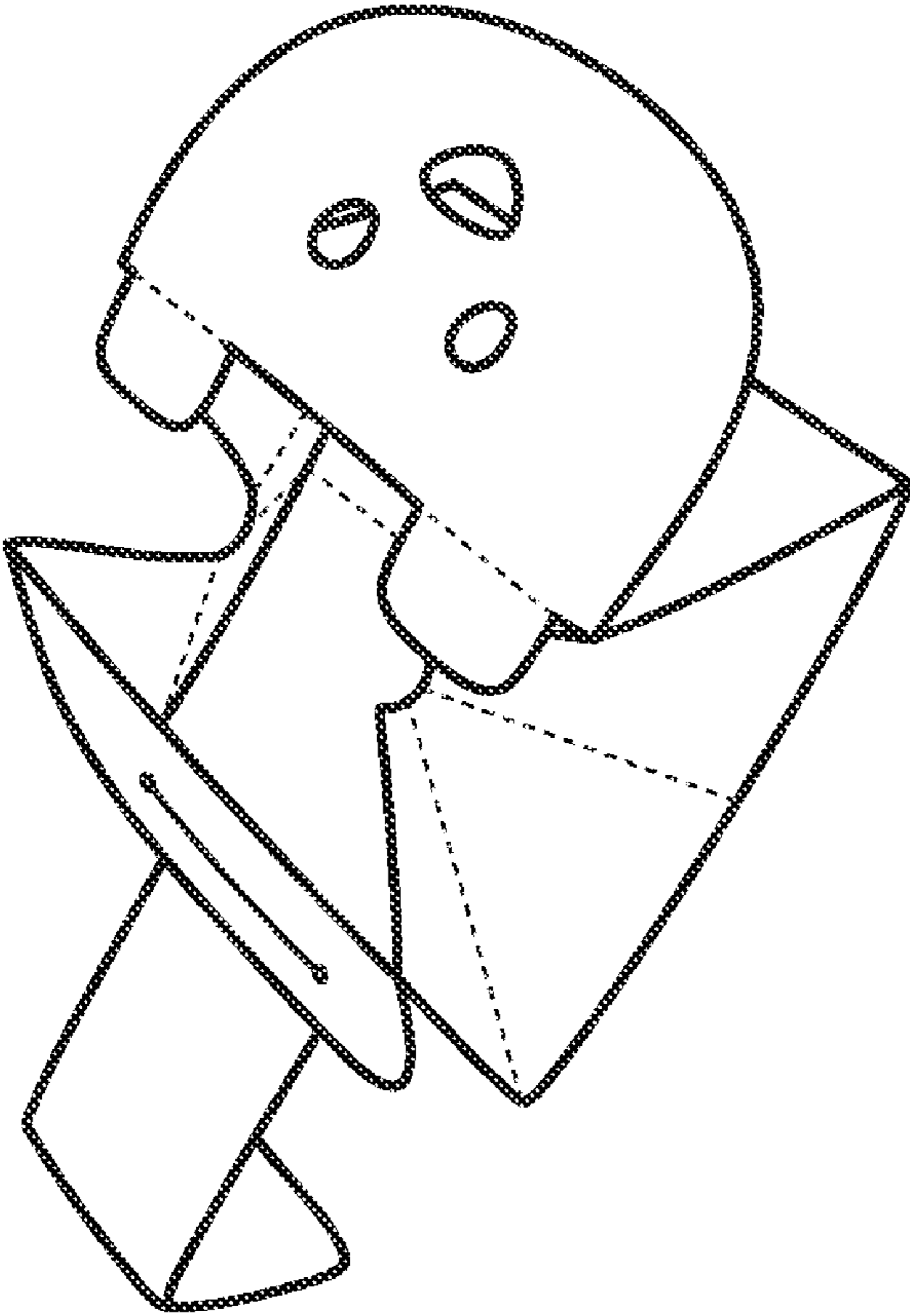


Fig. 2

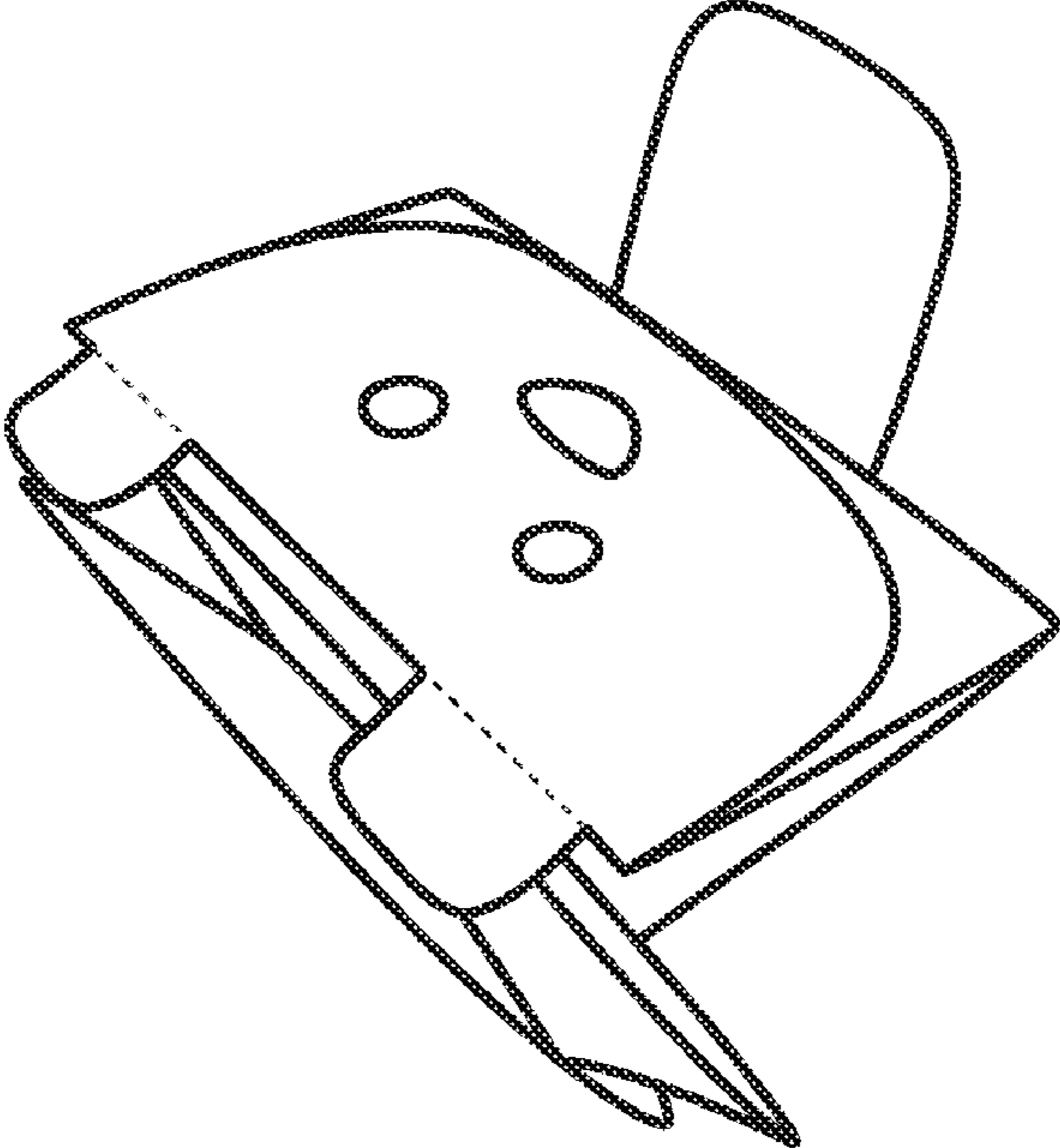


Fig. 3

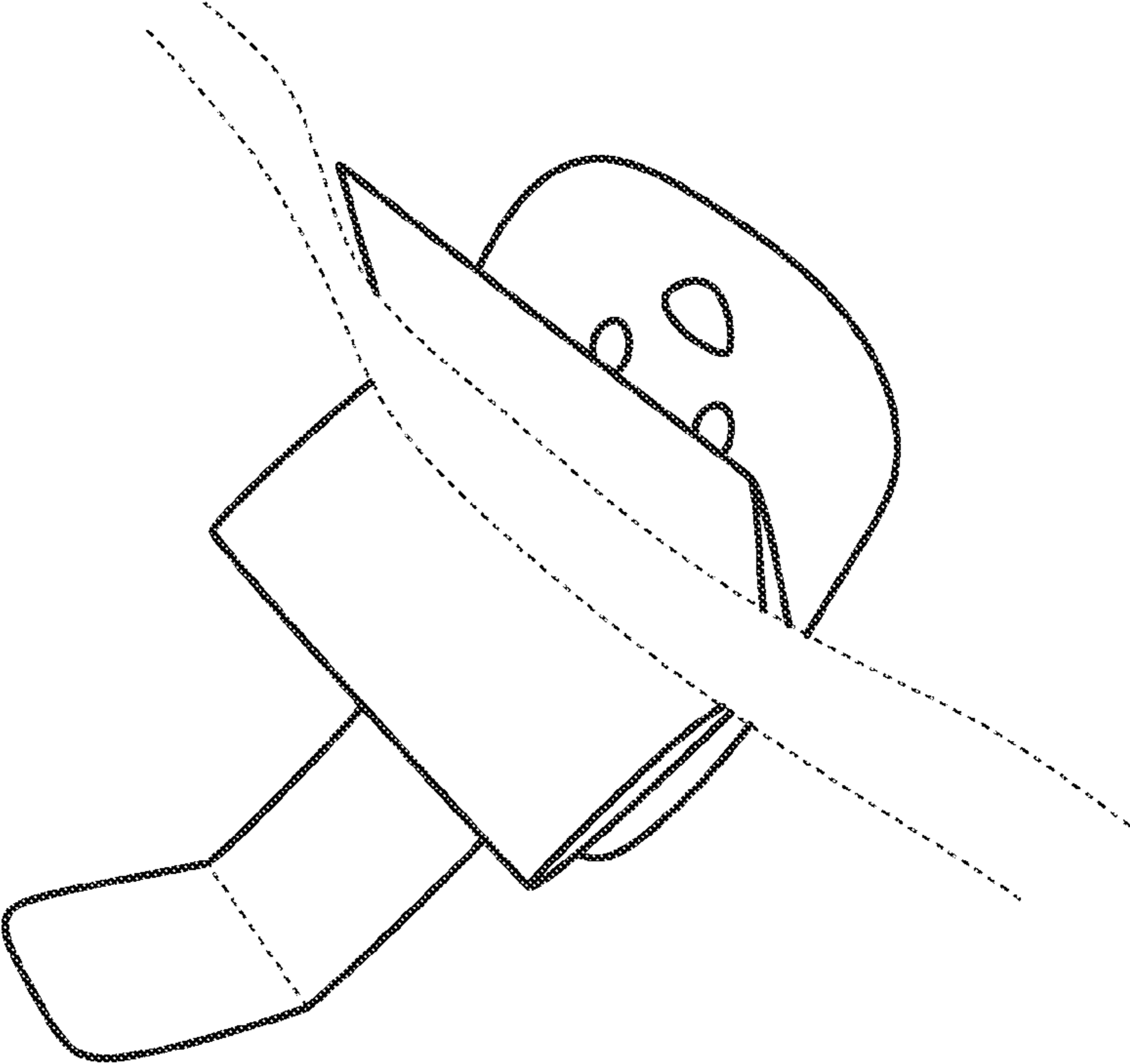


Fig. 4

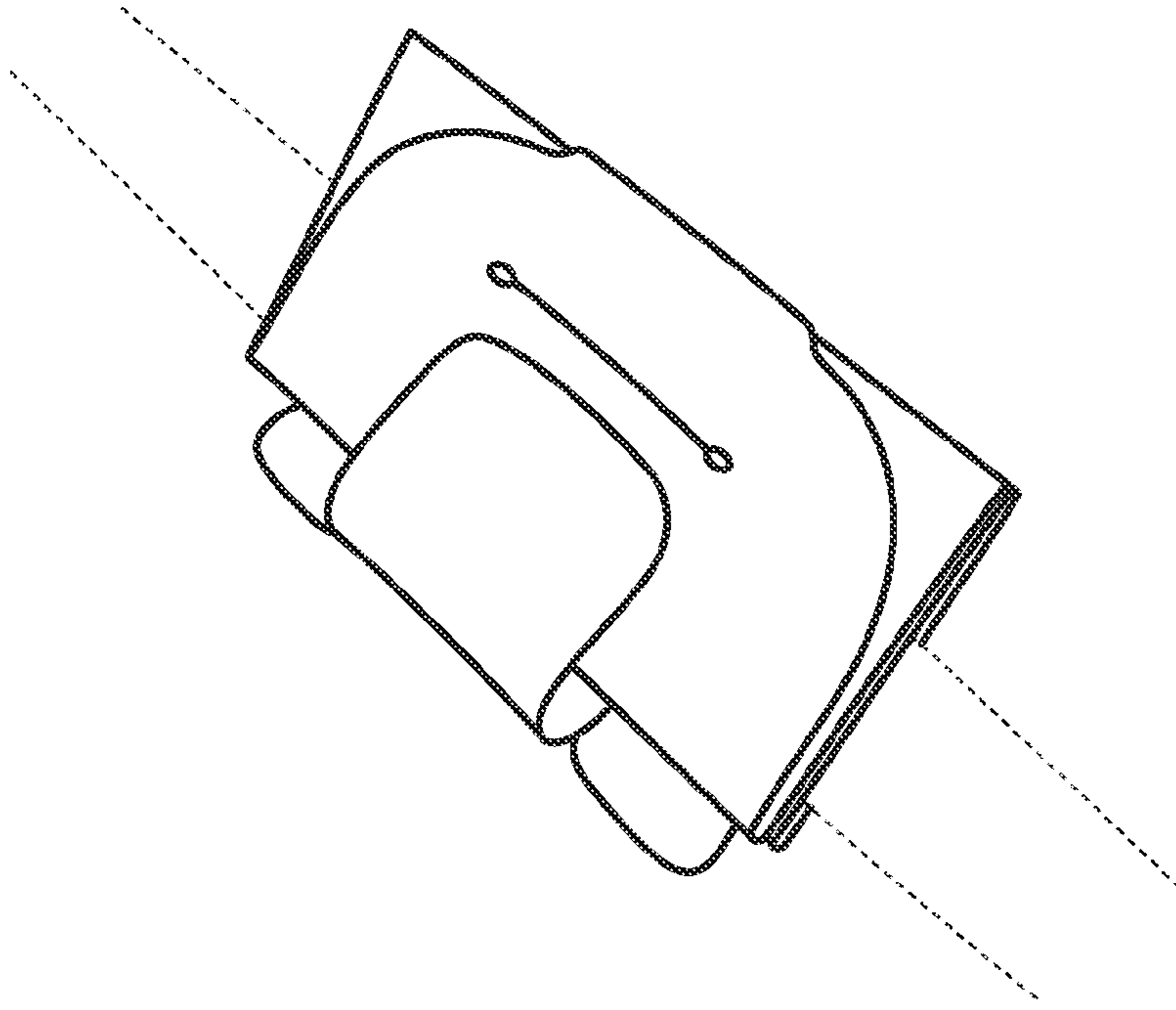


Fig. 5