

US00D607278S

(12) **United States Design Patent**
Luchak

(10) **Patent No.:** **US D607,278 S**
(45) **Date of Patent:** **** Jan. 5, 2010**

(54) **KEG MUG**

(76) Inventor: **Peter W. Luchak**, 38 Torrington
Crescent, London, Ontario (CA) N6C
2V9

(**) Term: **14 Years**

(21) Appl. No.: **29/312,038**

(22) Filed: **Sep. 26, 2008**

(51) **LOC (9) Cl.** **07-01**

(52) **U.S. Cl.** **D7/536; D7/532**

(58) **Field of Classification Search** D7/505,
D7/536, 547, 600, 533, 509, 500, 538, 510,
D7/511, 602, 562, 523, 300, 532, 524; D9/424-432;
222/205; 215/387, DIG. 7, 396; 220/703,
220/592.16, 592.17, 758

See application file for complete search history.

(56) **References Cited**

U.S. PATENT DOCUMENTS

- 904,237 A * 11/1908 Thessen 220/758
- 1,517,298 A * 12/1924 Lange 222/205
- D67,738 S * 7/1925 Bell D7/532
- D73,031 S * 7/1927 Heisey D7/532
- D112,560 S * 12/1938 Cunningham D7/532
- D118,650 S * 1/1940 Sawyer D7/532
- D259,757 S * 7/1981 Perrin D7/509

- D302,634 S * 8/1989 Segal D7/536
- D426,750 S * 6/2000 Madden-Askew D7/536
- D505,592 S * 5/2005 Liu D7/532
- D565,902 S * 4/2008 Bodum D7/523
- D575,110 S * 8/2008 Karam D7/529
- 2004/0080069 A1 * 4/2004 Moran 264/46.5

* cited by examiner

Primary Examiner—Robert M Spear
Assistant Examiner—Cynthia Underwood

(57) **CLAIM**

The ornamental design for a keg mug, as shown and described.

DESCRIPTION

FIG. 1 is a perspective view of a keg mug showing my new design.

FIG. 2 is a front elevational view.

FIG. 3 is a back elevational view.

FIG. 4 is a left side view.

FIG. 5 is a right side view.

FIG. 6 is a top plan view; and,

FIG. 7 is a bottom view.

The broken lines form no part of the claim.

1 Claim, 5 Drawing Sheets





FIG. 1

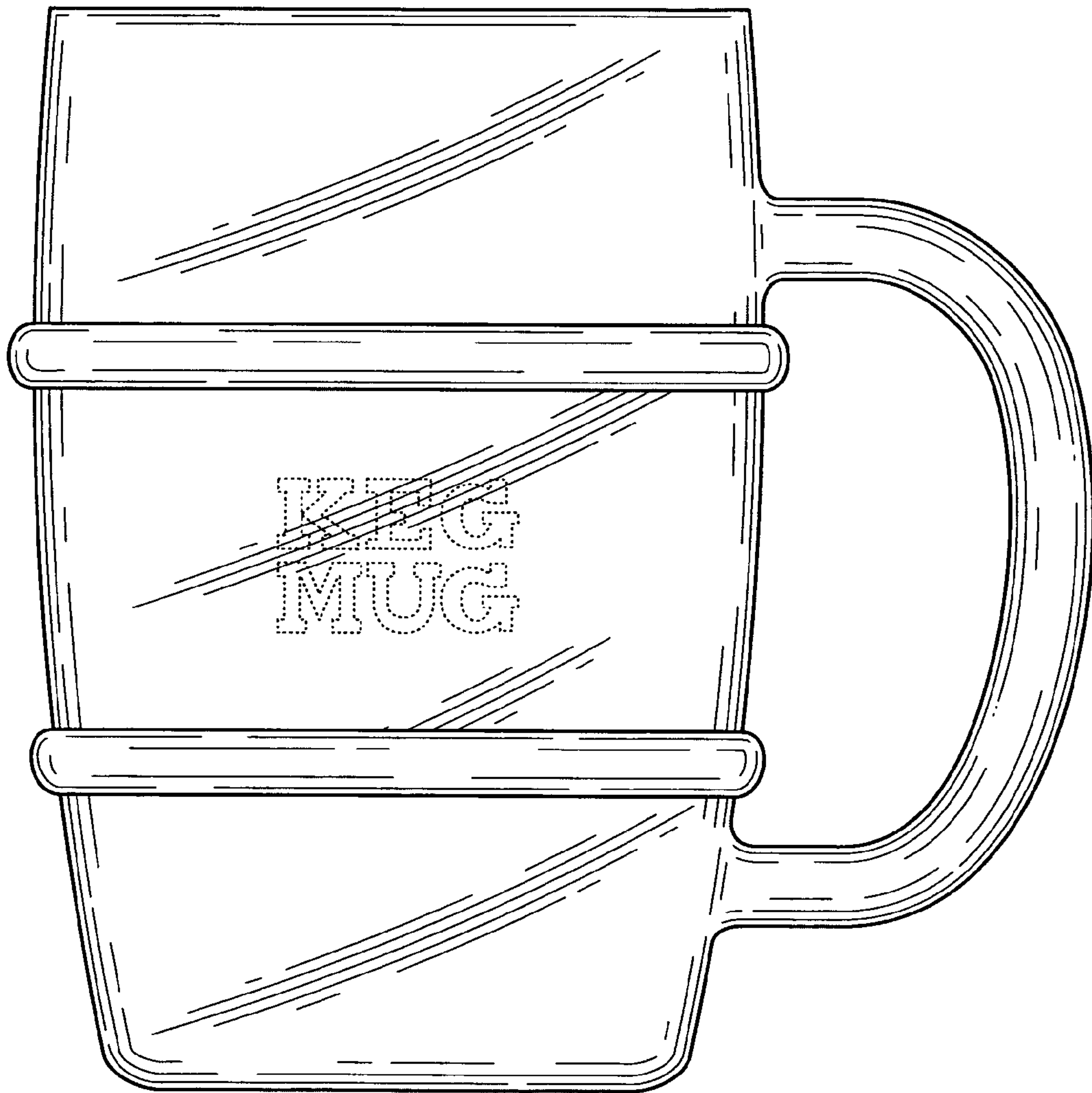


FIG. 2

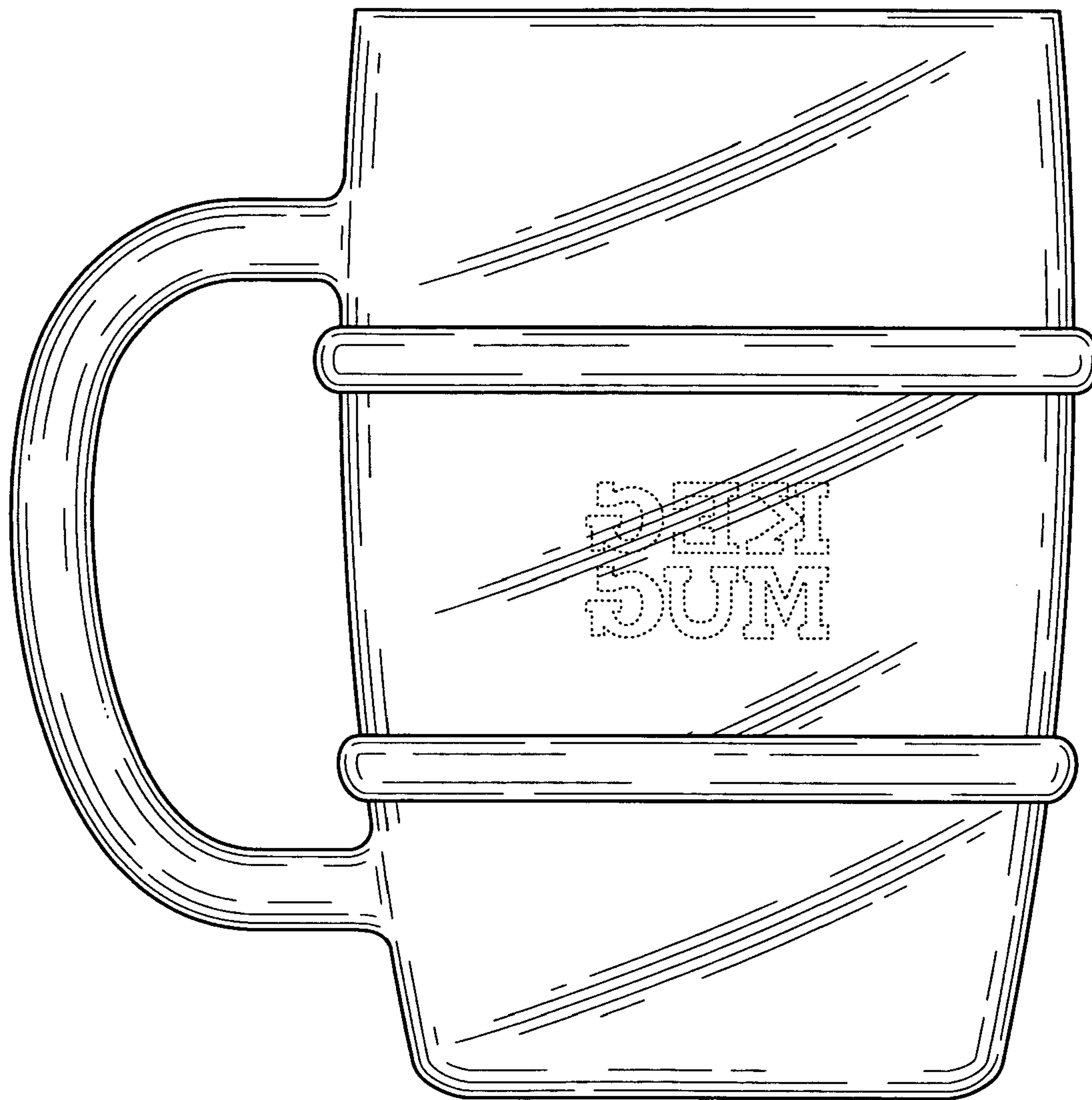


FIG. 3

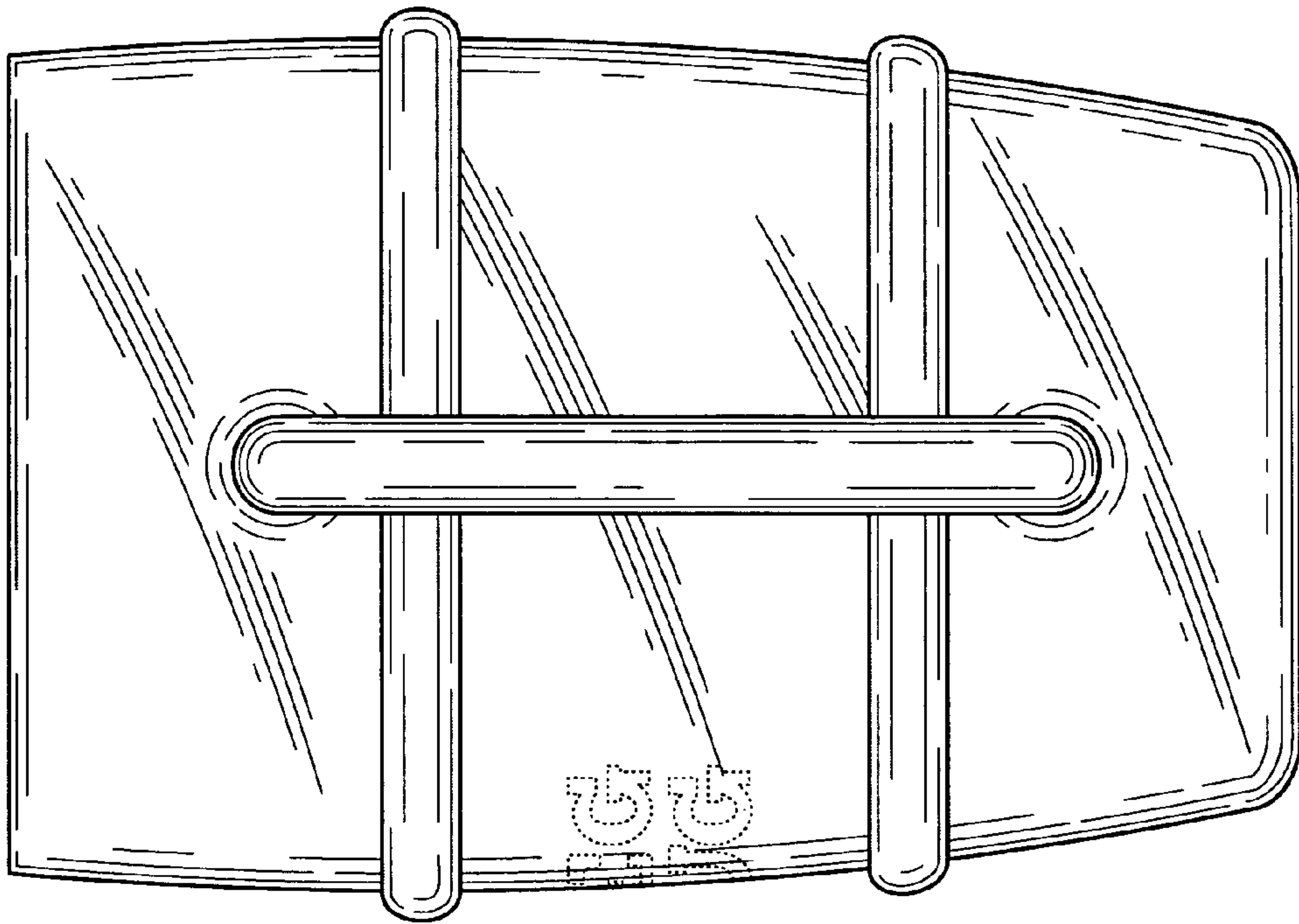


FIG. 5

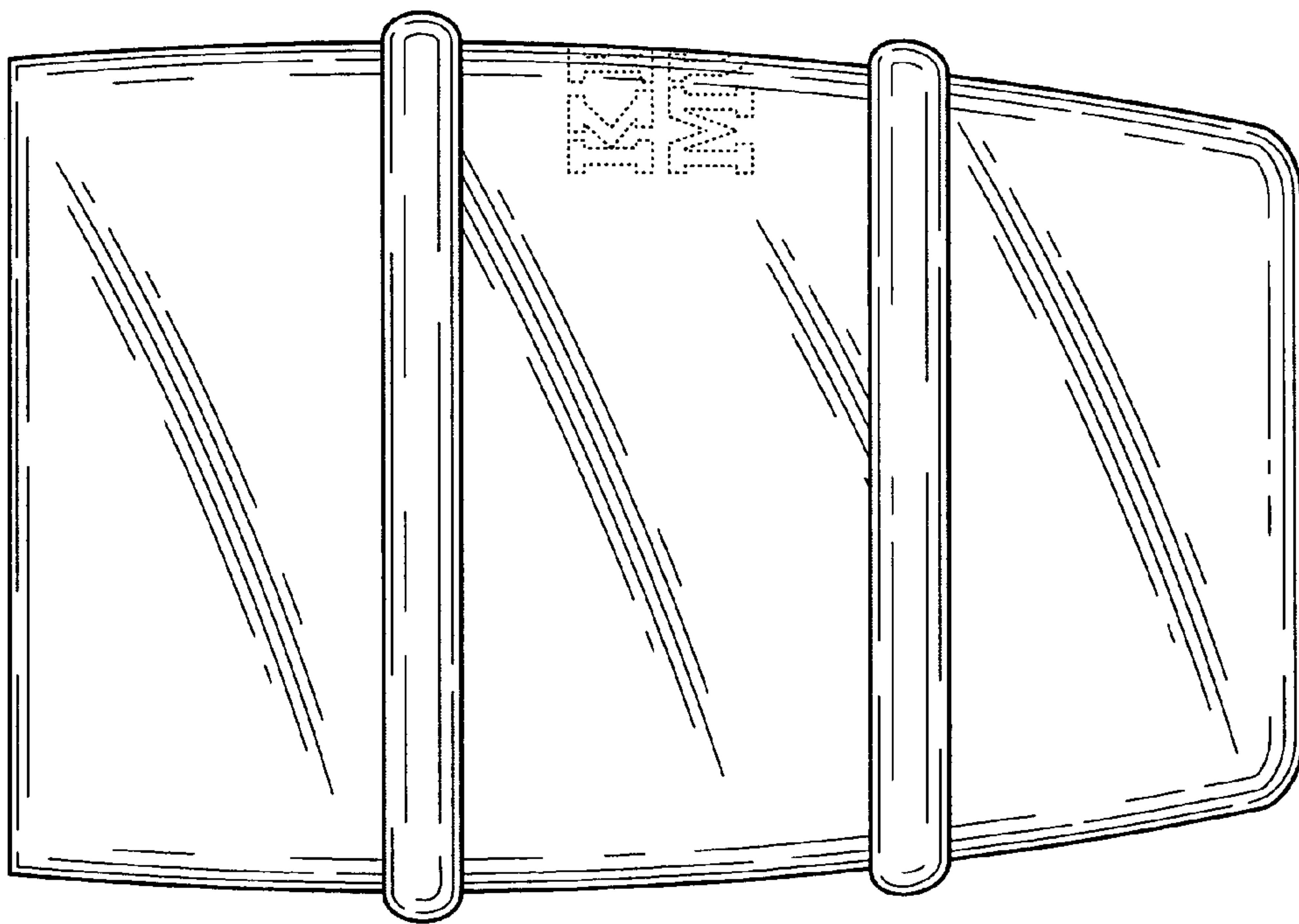


FIG. 4

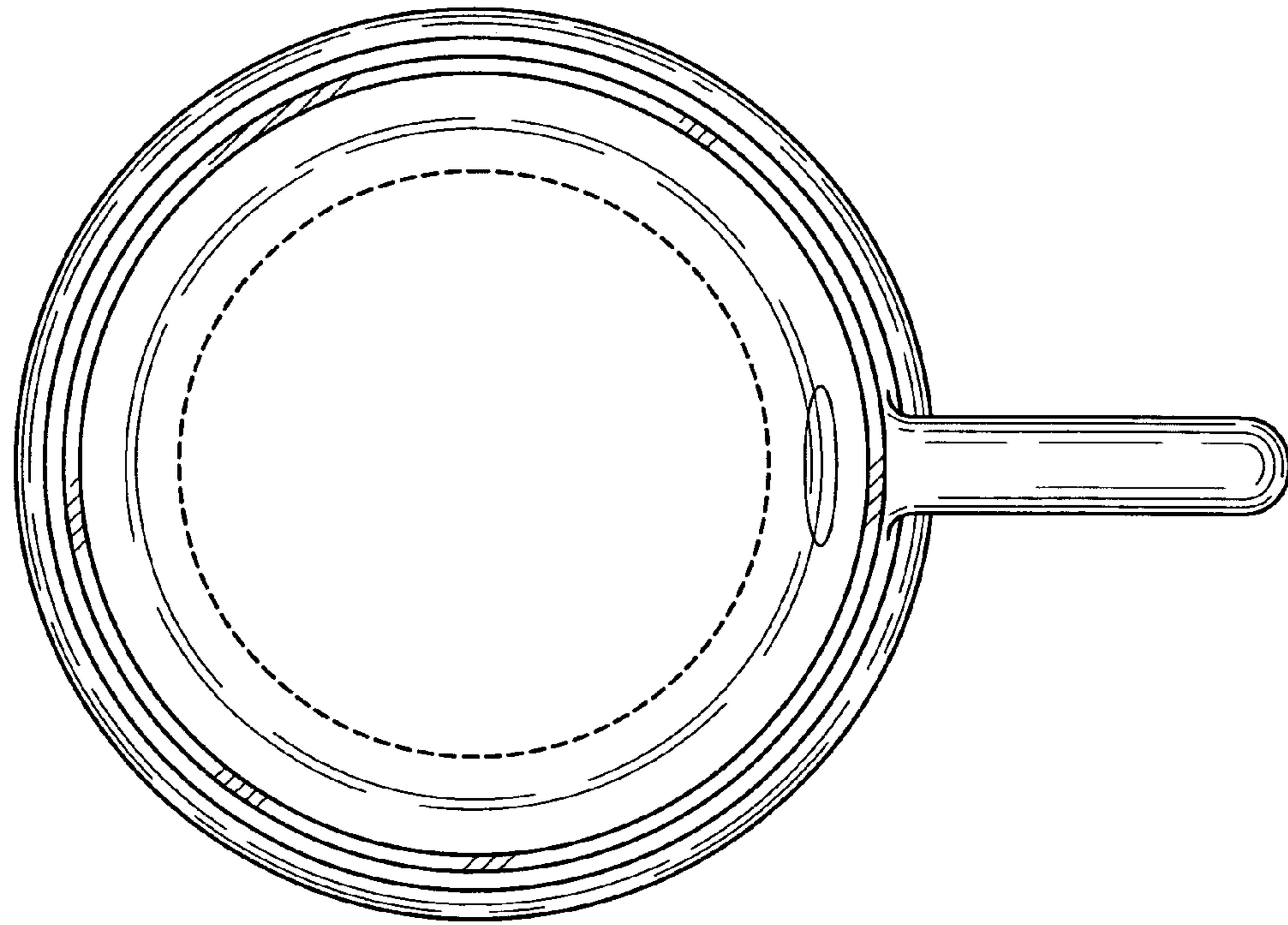


FIG. 6

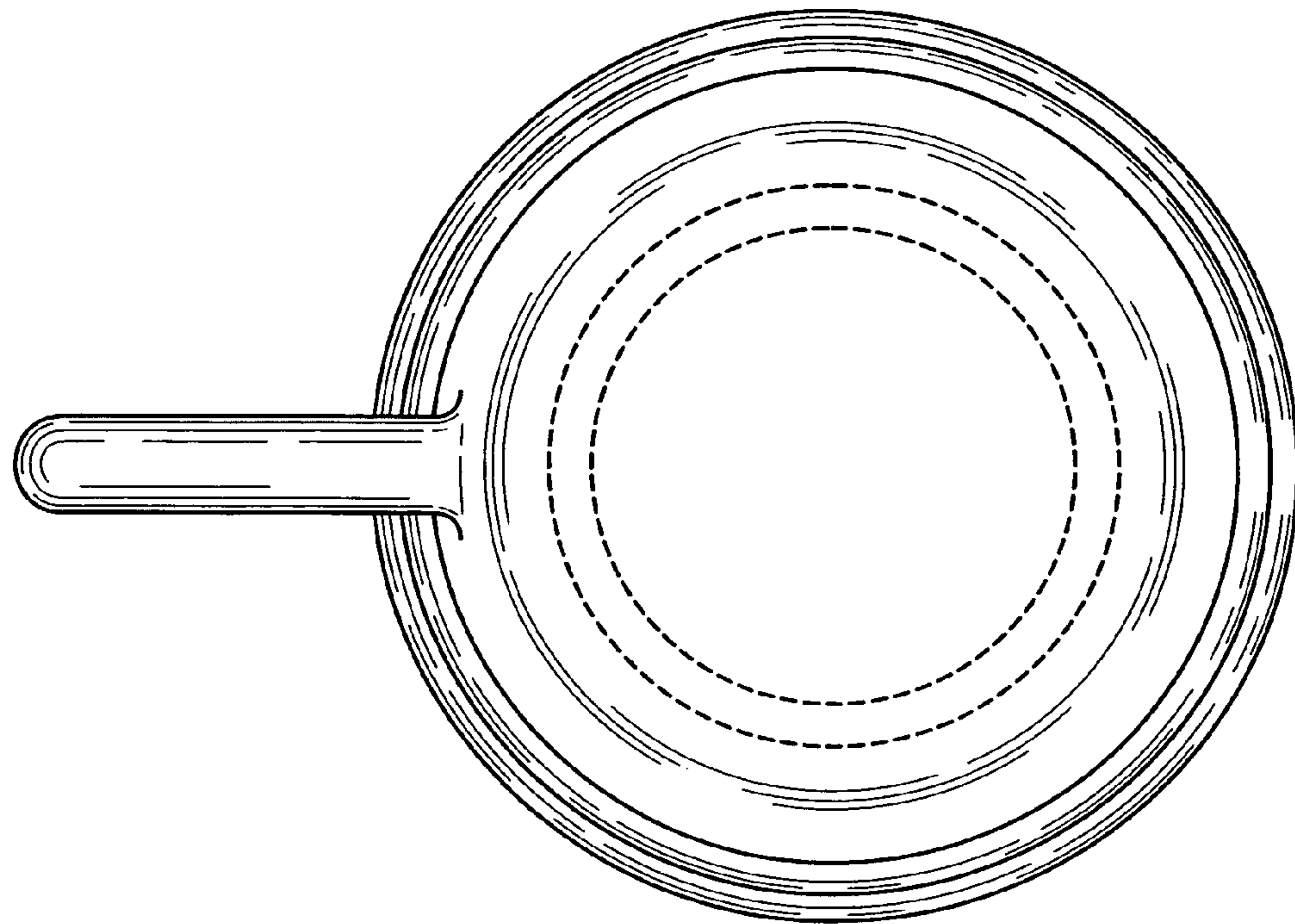


FIG. 7