



US00D607277S

(12) **United States Design Patent**
Ahlm et al.

(10) **Patent No.:** **US D607,277 S**
(45) **Date of Patent:** **** Jan. 5, 2010**

(54) **DRINKING CUP**
(75) Inventors: **Joseph Ahlm**, Sorona, WI (US); **Scott Glor**, Osceola, WI (US)
(73) Assignee: **Vital Plastics, Incorporated**, Baldwin, WI (US)
(**) Term: **14 Years**
(21) Appl. No.: **29/327,819**
(22) Filed: **Nov. 13, 2008**
(51) **LOC (9) Cl.** **07-01**
(52) **U.S. Cl.** **D7/513; D7/523; D7/532**
(58) **Field of Classification Search** D7/50-536, D7/555; 220/709, 705, 707, 506, 592.17, 220/592.16, 703; 206/519
See application file for complete search history.

D363,854 S 11/1995 Katz
D369,518 S 5/1996 Wilson
D397,915 S 9/1998 McNaughton
D400,398 S 11/1998 McNaughton
D430,456 S 9/2000 Thuma
6,138,862 A 10/2000 Tai
D448,241 S 9/2001 Morris, Jr.
6,644,846 B2 11/2003 Willat
D484,361 S 12/2003 Jeung
D532,257 S * 11/2006 Mansfield D7/513
D533,404 S * 12/2006 Mansfield D7/513
D534,768 S * 1/2007 Mansfield D7/513
D539,091 S * 3/2007 Mansfield D7/513
D541,107 S * 4/2007 Mansfield D7/513
7,243,812 B2 * 7/2007 Mansfield et al. 220/501
D552,421 S * 10/2007 Wolf D7/523
D555,979 S * 11/2007 Mansfield et al. D7/523
D556,511 S * 12/2007 Mansfield et al. D7/523
D556,512 S * 12/2007 Mansfield D7/523
D561,534 S * 2/2008 Marks et al. D7/523
D562,074 S * 2/2008 Mansfield D7/523
D572,533 S 7/2008 Mansfield et al.
7,523,840 B2 * 4/2009 Mansfield et al. 220/506
D596,461 S * 7/2009 Mansfield et al. D7/513
2006/0021986 A1 * 2/2006 Mansfield et al. 220/506
2006/0169699 A1 8/2006 Mansfield et al.
2006/0169700 A1 8/2006 Mansfield et al.
2008/0029518 A1 2/2008 Mansfield et al.

(56) **References Cited**

U.S. PATENT DOCUMENTS

1,168,027 A * 1/1916 Nirdlinger 73/426
1,478,910 A * 12/1923 Perkins 33/734
D78,566 S * 5/1929 Evans D7/523
D99,531 S 5/1936 Sterling
D101,721 S 10/1936 Spinelli et al.
2,288,044 A 6/1942 Stemme
2,493,633 A 1/1950 Mart
D167,667 S 9/1952 Babany
D202,507 S * 10/1965 Shelby D7/523
3,269,144 A 8/1966 Poris
3,298,553 A * 1/1967 Lusher 215/379
3,471,075 A * 10/1969 Wolf 229/400
D222,375 S 10/1971 Bencik
3,674,512 A * 7/1972 Andros 426/130
3,730,385 A * 5/1973 Rost 206/520
4,395,015 A * 7/1983 Reardon 249/115
4,410,085 A 10/1983 Beneziat et al.
D287,885 S * 1/1987 Bolduc D26/11
D291,620 S 9/1987 Porchia
D304,514 S * 11/1989 Vezirian et al. D7/507
D310,941 S * 10/1990 Carty D28/44.1
D343,990 S 2/1994 Maraan, II

* cited by examiner

Primary Examiner—Marianne Pandozzi
(74) *Attorney, Agent, or Firm*—Vidas, Arrett & Steinkraus

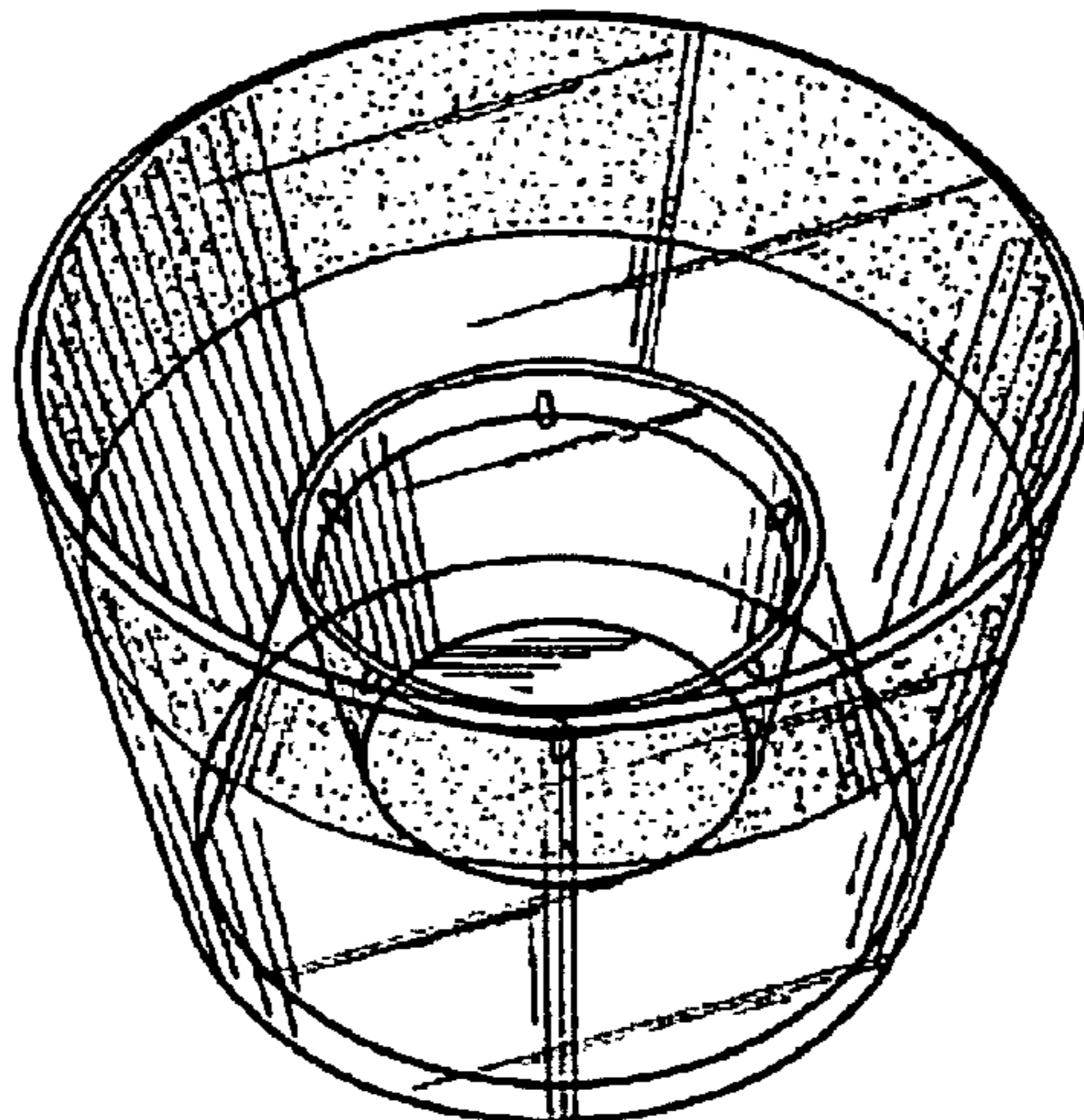
(57) **CLAIM**

The ornamental design for a drinking cup, as shown and described.

DESCRIPTION

FIG. 1 is a perspective view of the drinking cup;
FIG. 2 is a side elevation view of the drinking cup;
FIG. 3 is a top plan view of the drinking cup; and,
FIG. 4 is a bottom plan view of the drinking cup.

1 Claim, 1 Drawing Sheet



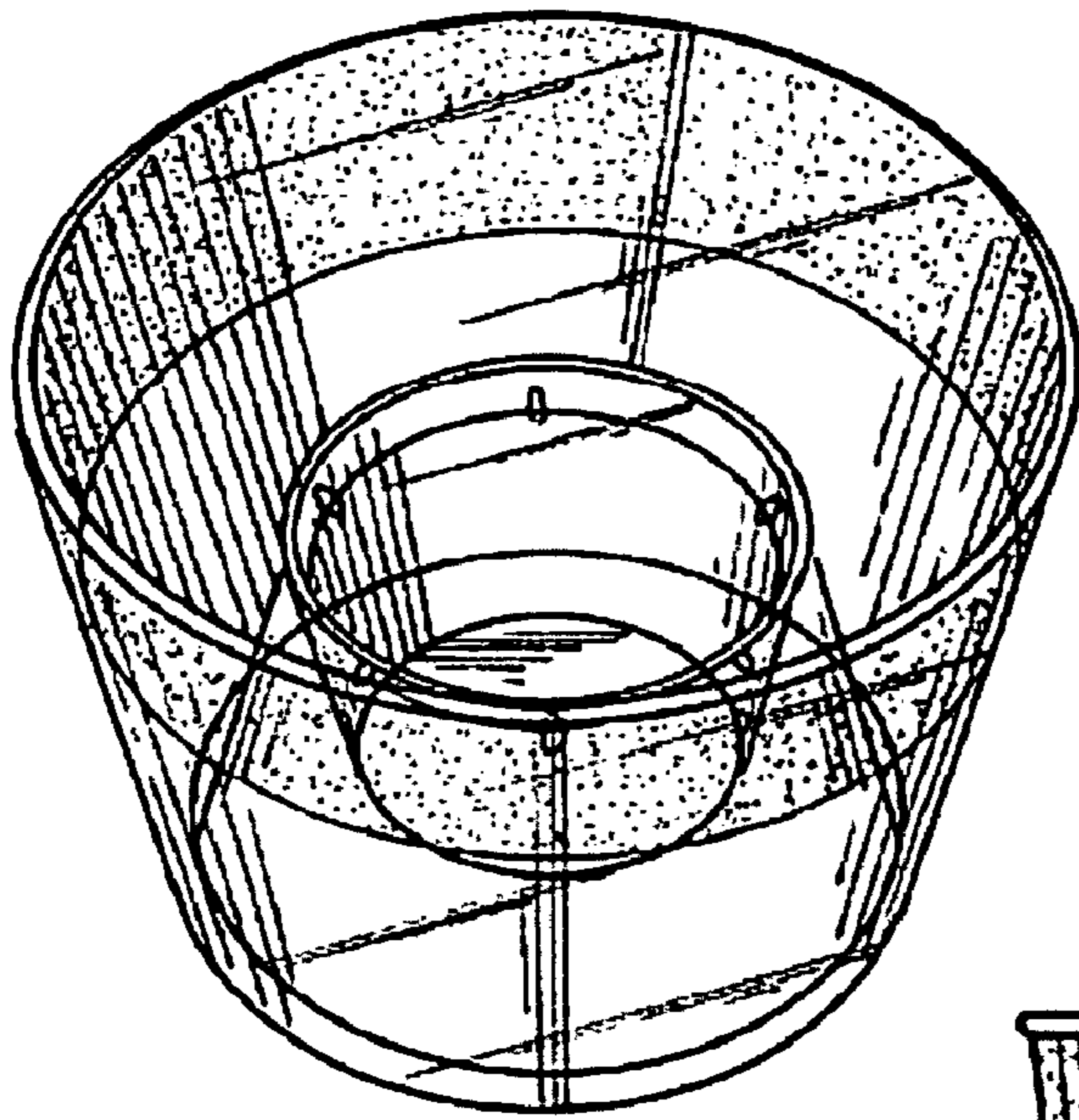


Fig. 1.

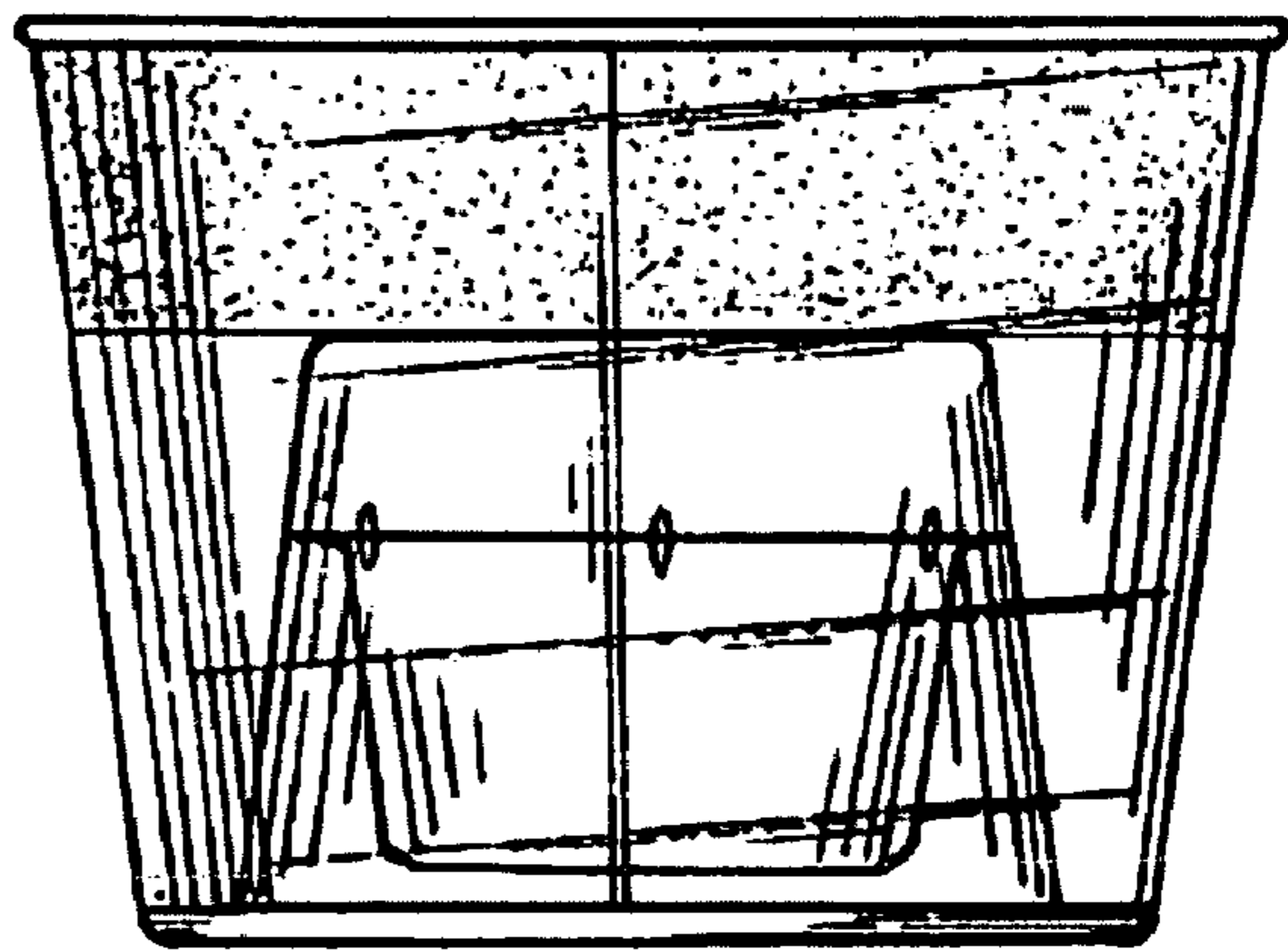


Fig. 2.

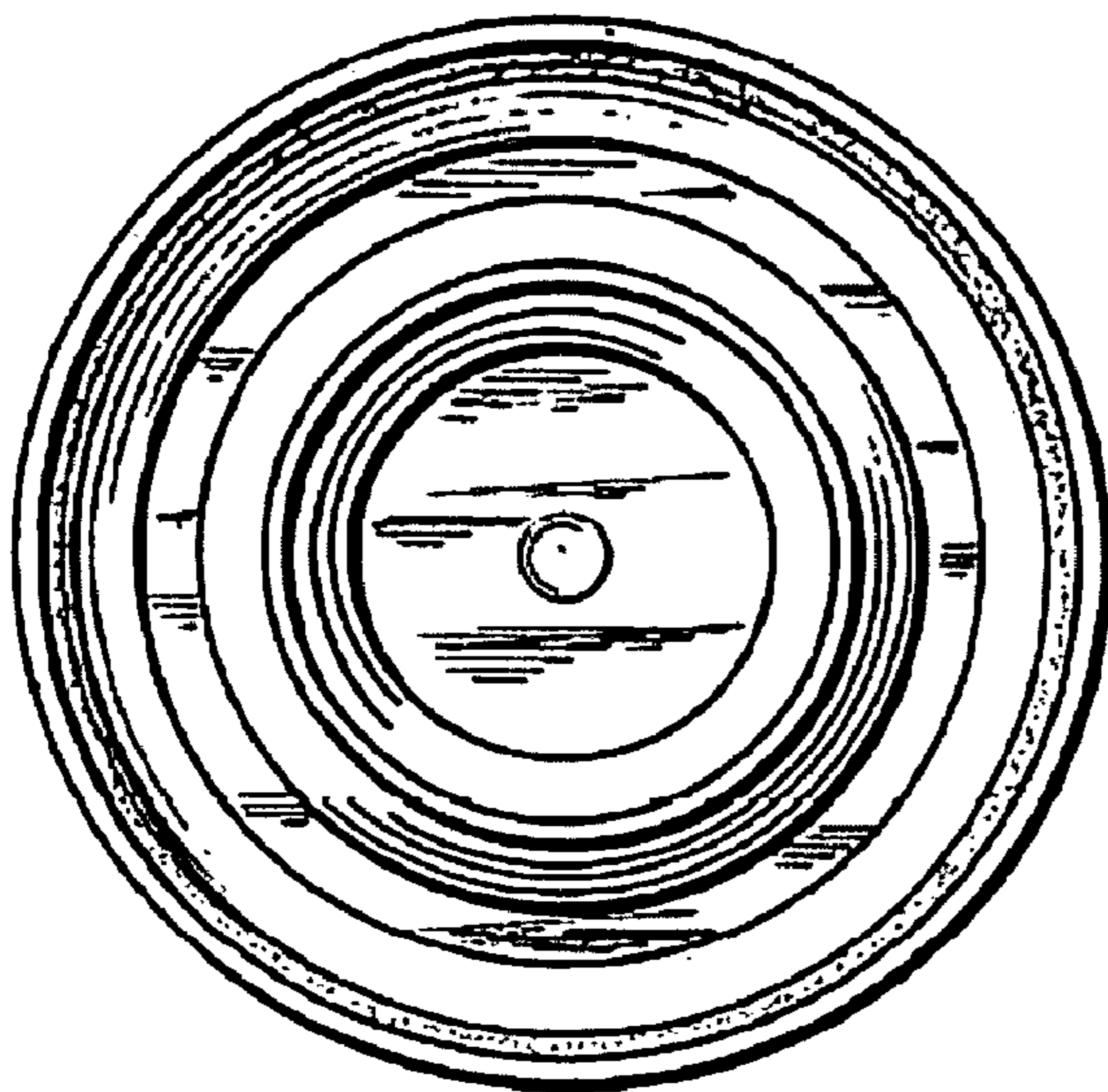


Fig. 3.

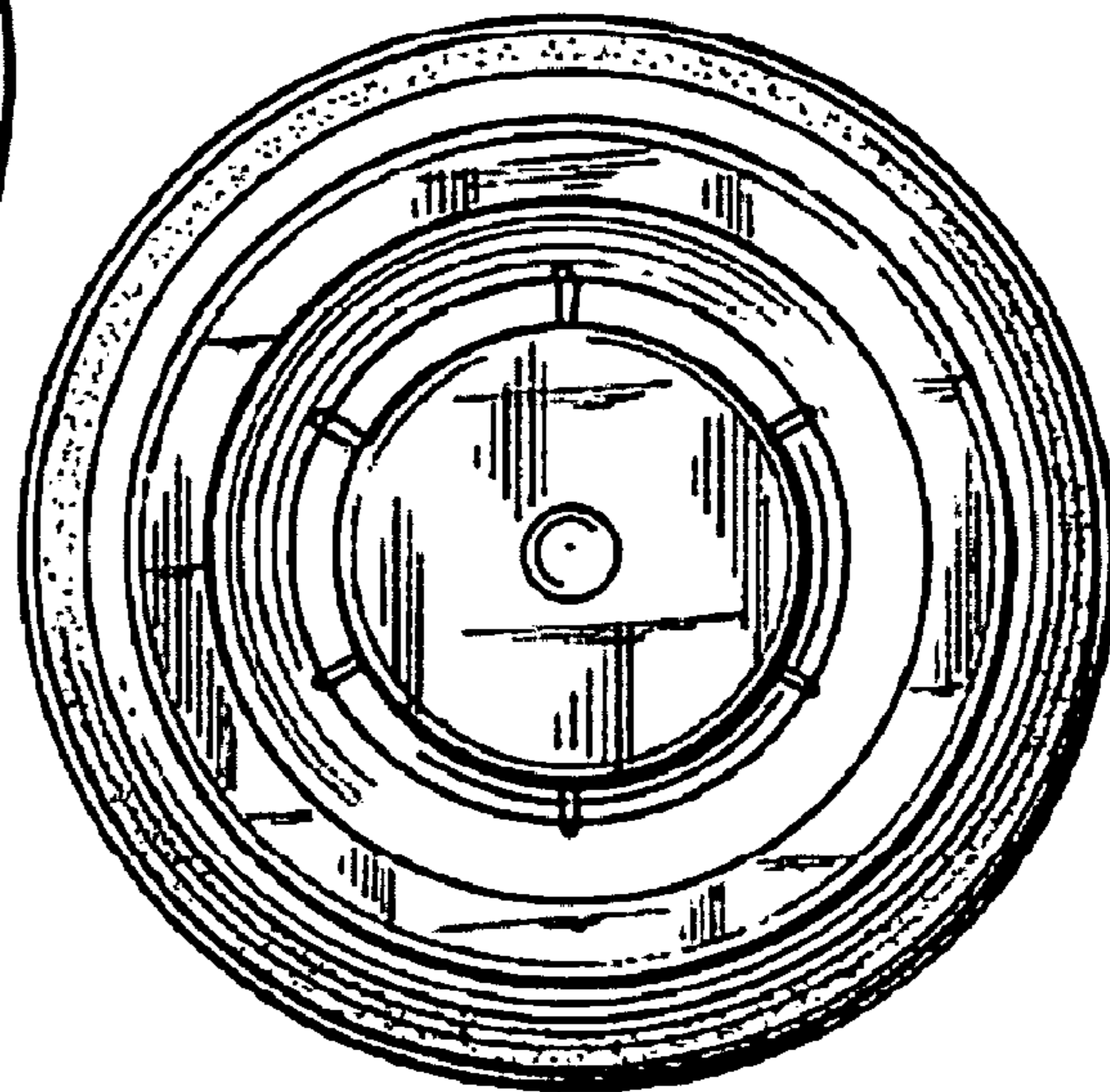


Fig. 4.