

US00D607274S

(12) **United States Design Patent**  
**De Pra'**

(10) **Patent No.:** **US D607,274 S**  
(45) **Date of Patent:** **\*\* Jan. 5, 2010**

(54) **GRINDER PART**

(75) Inventor: **Dario De Pra'**, Mirano (IT)

(73) Assignee: **De'Longhi S.p.A.**, Treviso (IT)

(\*\*) Term: **14 Years**

(21) Appl. No.: **29/313,300**

(22) Filed: **Dec. 23, 2008**

(30) **Foreign Application Priority Data**

Jun. 30, 2008 (EM) ..... 000959960

(51) **LOC (9) Cl.** ..... **07-02**

(52) **U.S. Cl.** ..... **D7/414**

(58) **Field of Classification Search** ..... D7/306-313,  
D7/317-318, 326, 356, 376-386, 392, 397-399,  
D7/412-415, 607, 669, 693; D28/31; D30/159;  
99/345-348, 494, 509-511, 532; 241/101.1,  
241/274-278.2, 282.2, 285.1-285.3, 291,  
241/292.1; 366/64-67, 98, 129, 192, 197-211,  
366/205-206, 251, 270, 279-292, 312, 327.3,  
366/343

See application file for complete search history.

(56) **References Cited**

**U.S. PATENT DOCUMENTS**

D164,220 S 8/1951 Dale

D206,476 S \* 12/1966 Cournoyer ..... D28/31  
D353,915 S \* 12/1994 Lanne ..... D30/159  
D414,383 S \* 9/1999 Fitzgibbons et al. .... D7/669  
D482,926 S 12/2003 Copeland  
D511,269 S 11/2005 MacWilliam  
D524,983 S \* 7/2006 Smith et al. .... D28/31

\* cited by examiner

*Primary Examiner*—Joel Sincavage

*Assistant Examiner*—Ricky Pham

(74) *Attorney, Agent, or Firm*—Flaster Greenberg, PC

(57) **CLAIM**

The ornamental design for a grinder part, as shown and described.

**DESCRIPTION**

FIG. 1 is a perspective view of the grinder part;

FIG. 2 is a front view of the grinder part;

FIG. 3 is a rear view of the grinder part;

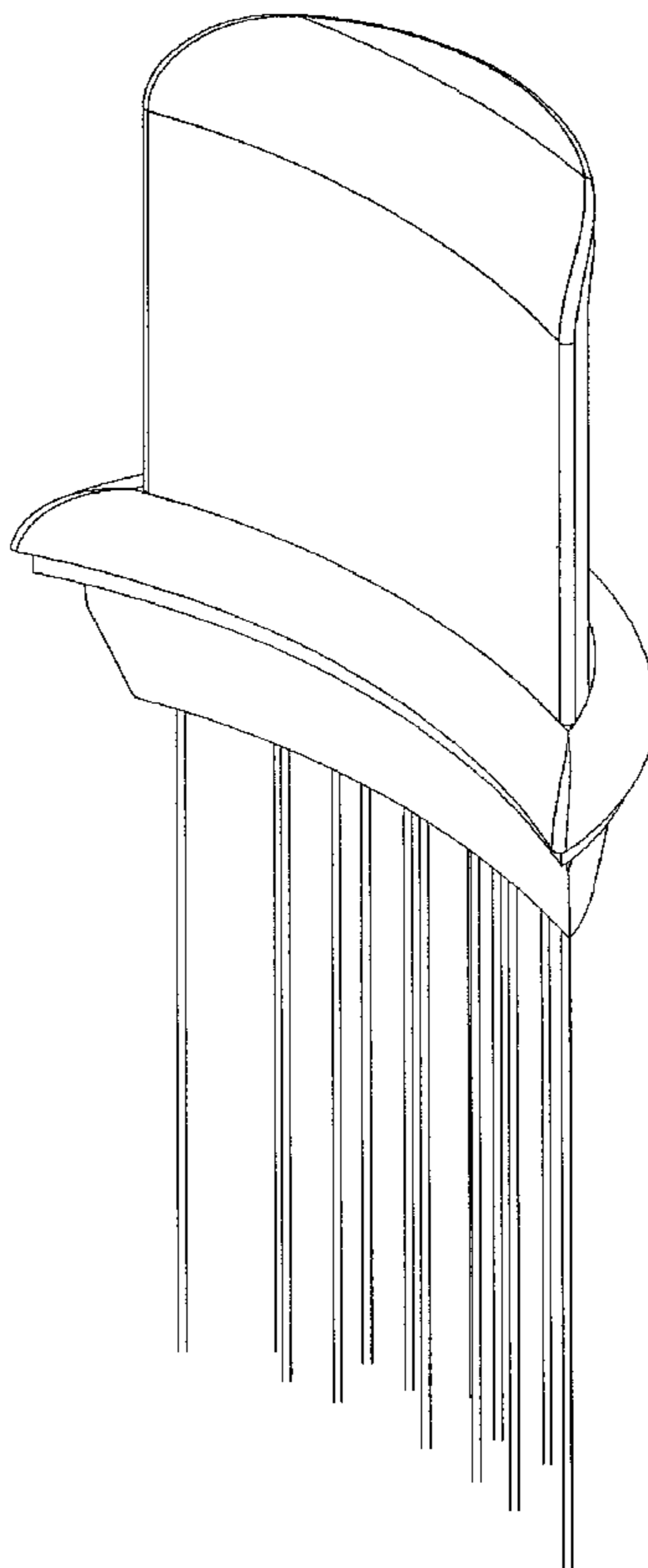
FIG. 4 is a left side view of the grinder part;

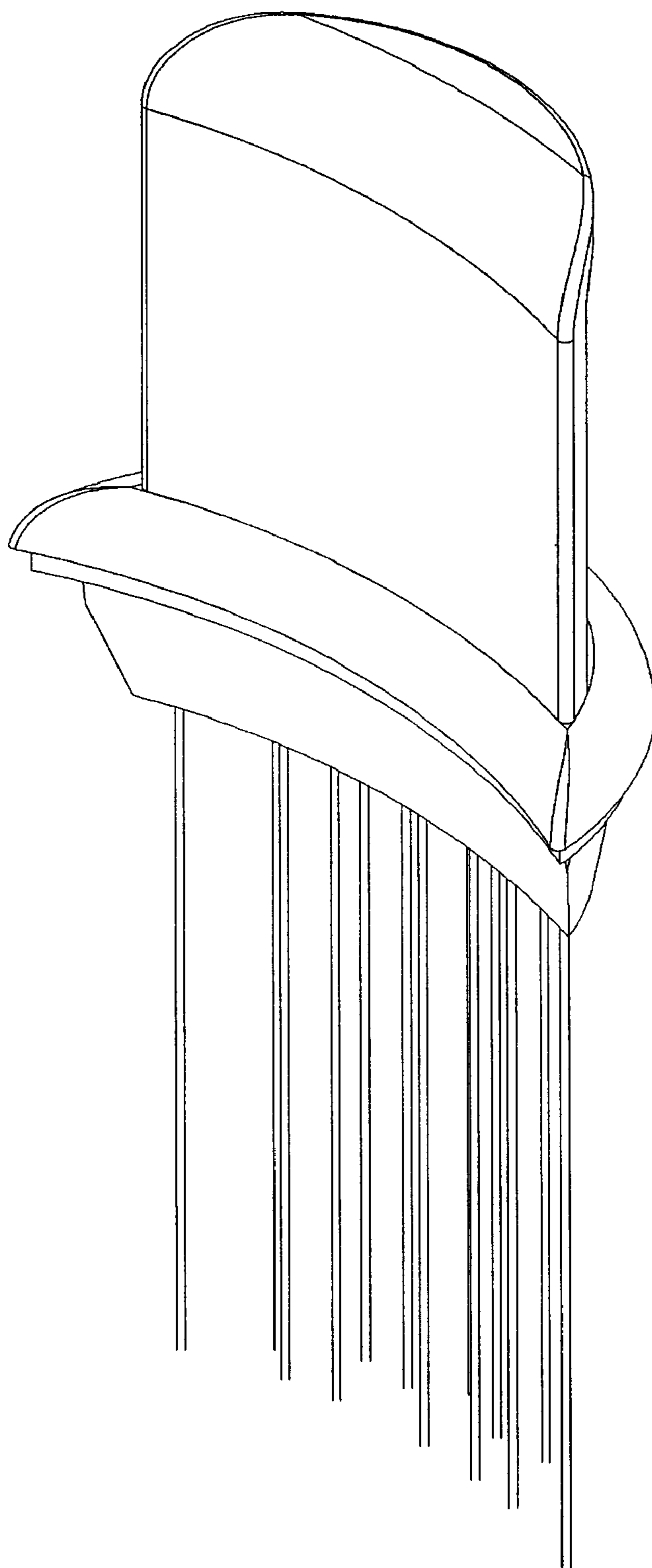
FIG. 5 is a right side view of the grinder part;

FIG. 6 is bottom view of the grinder part; and,

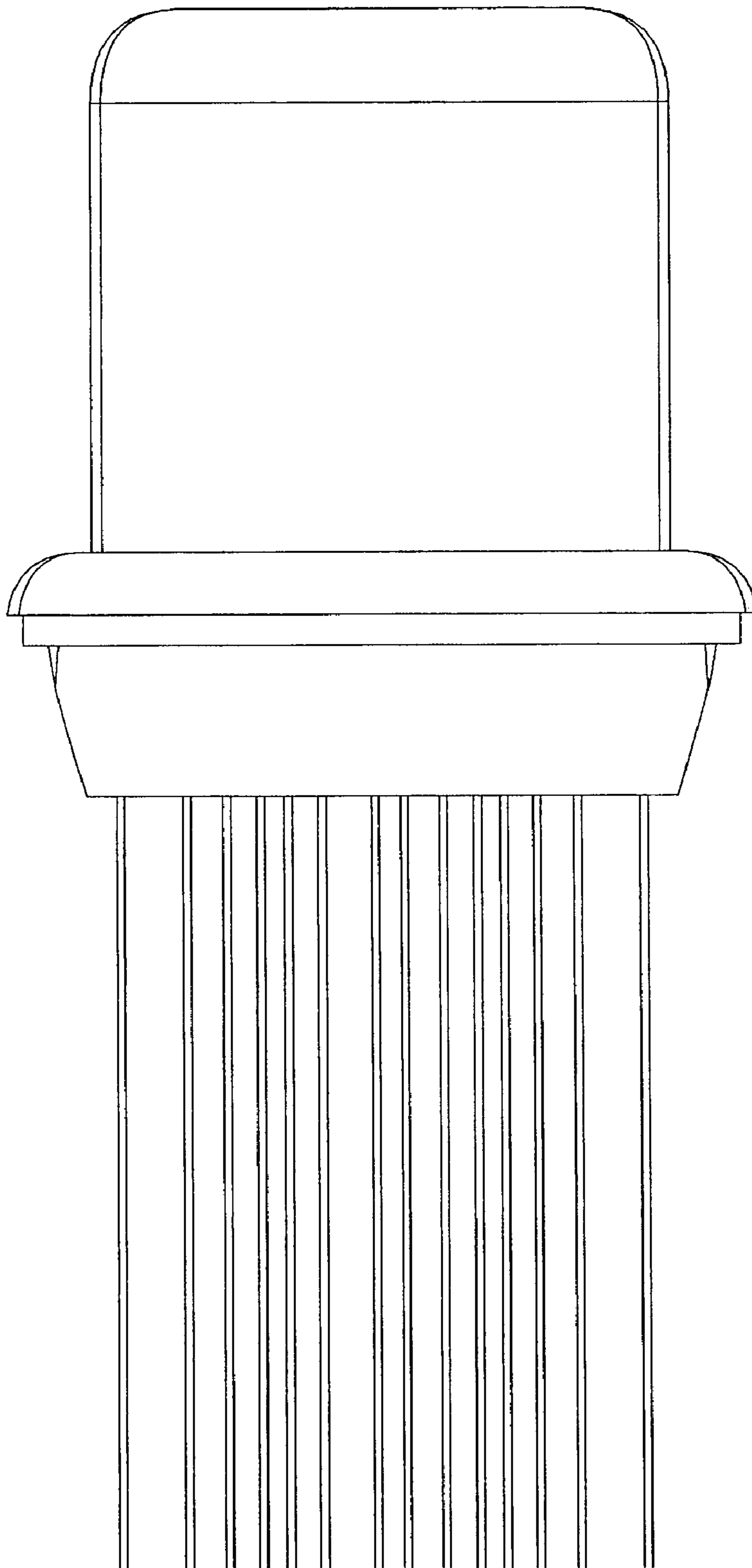
FIG. 7 is a top view of the grinder part.

**1 Claim, 7 Drawing Sheets**

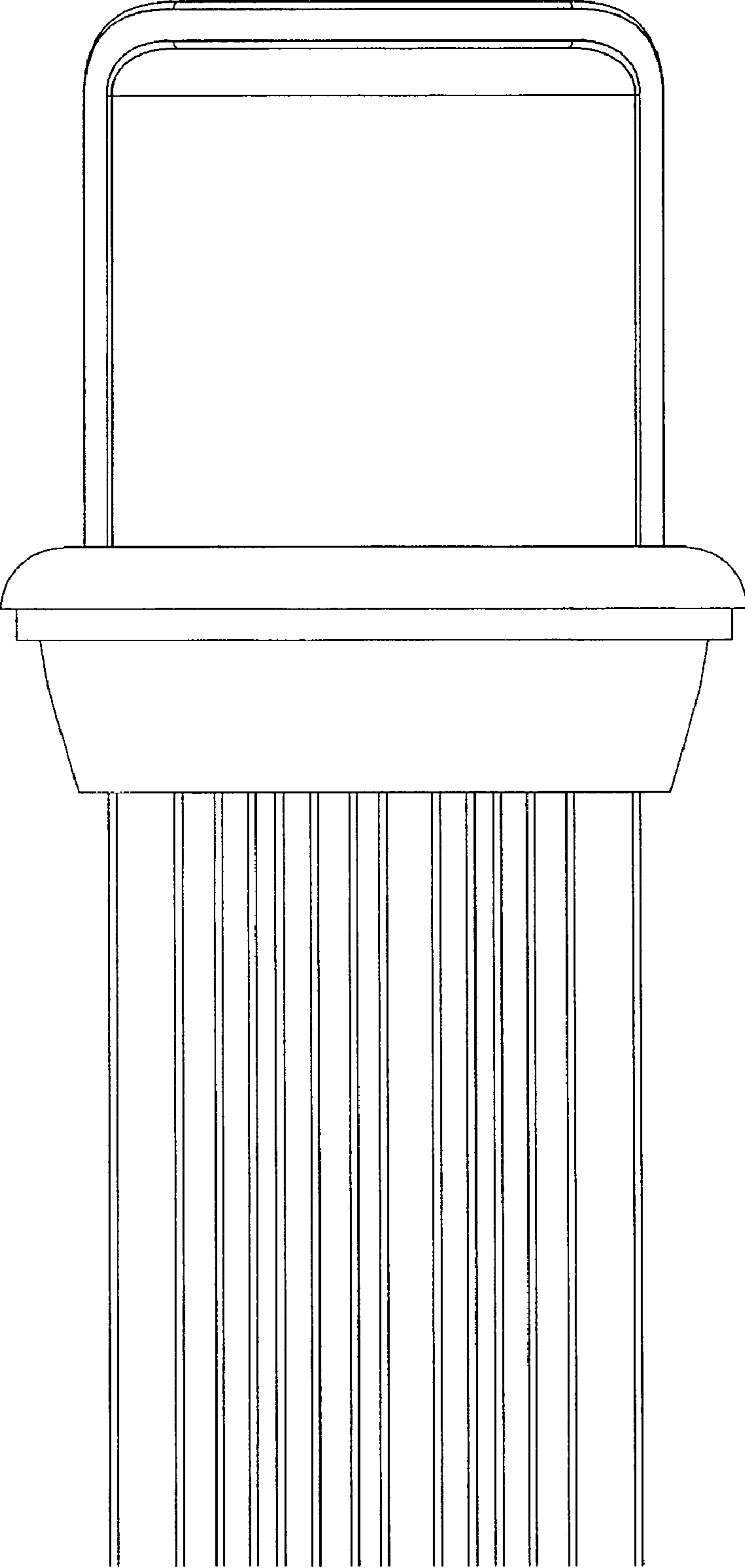




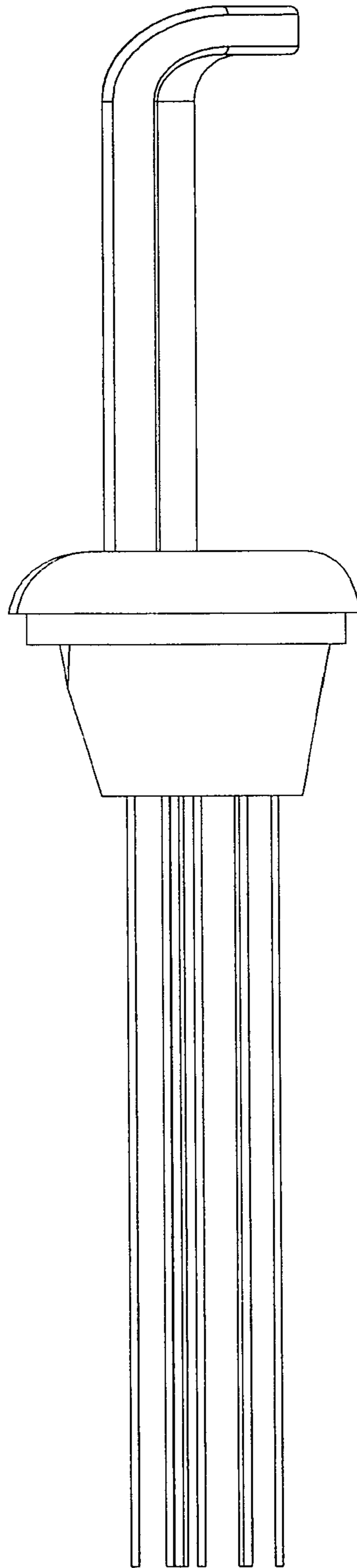
**FIG. 1**



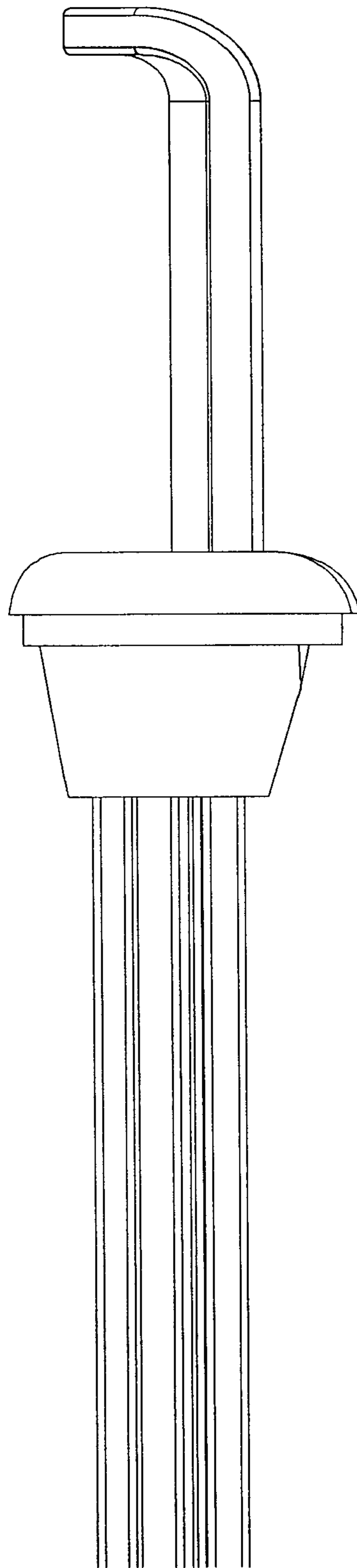
**FIG. 2**



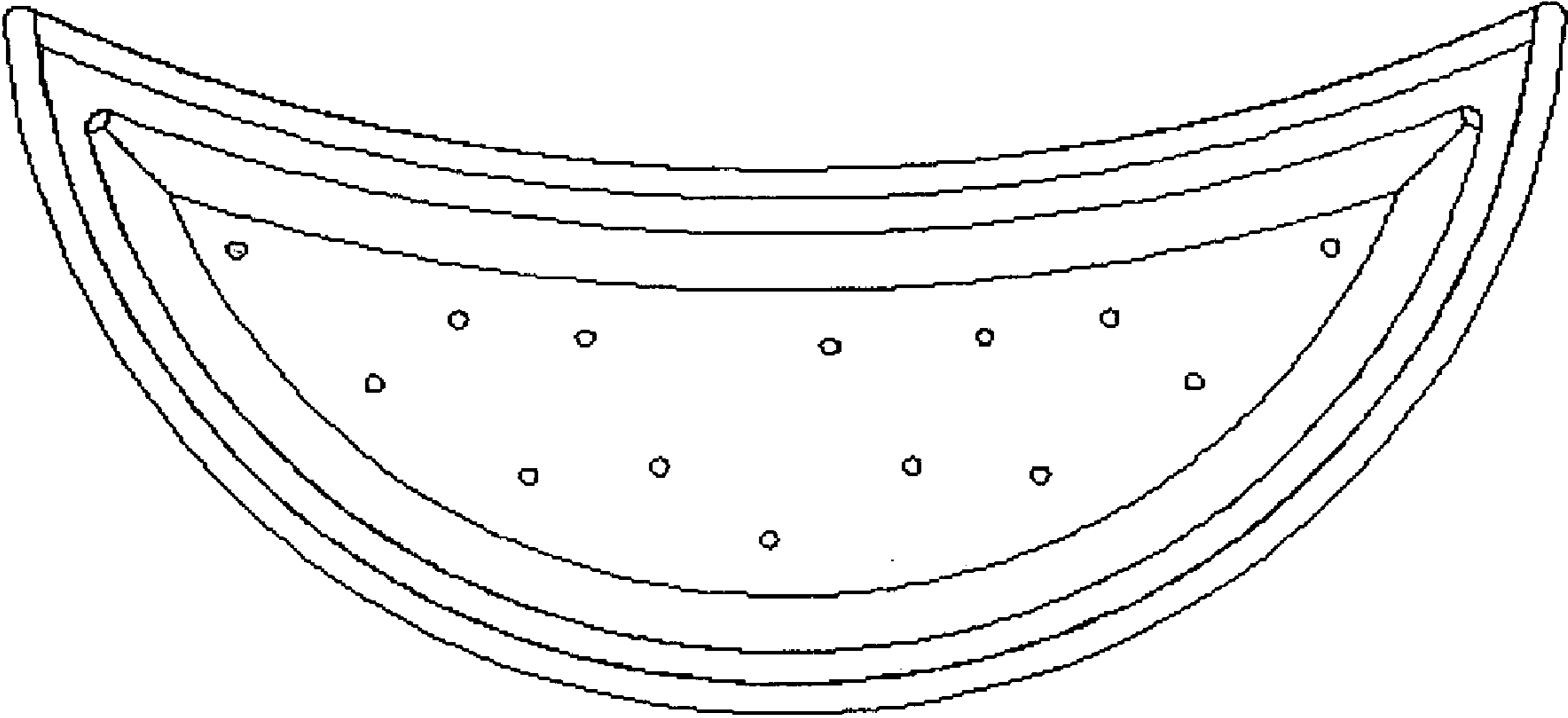
**FIG. 3**



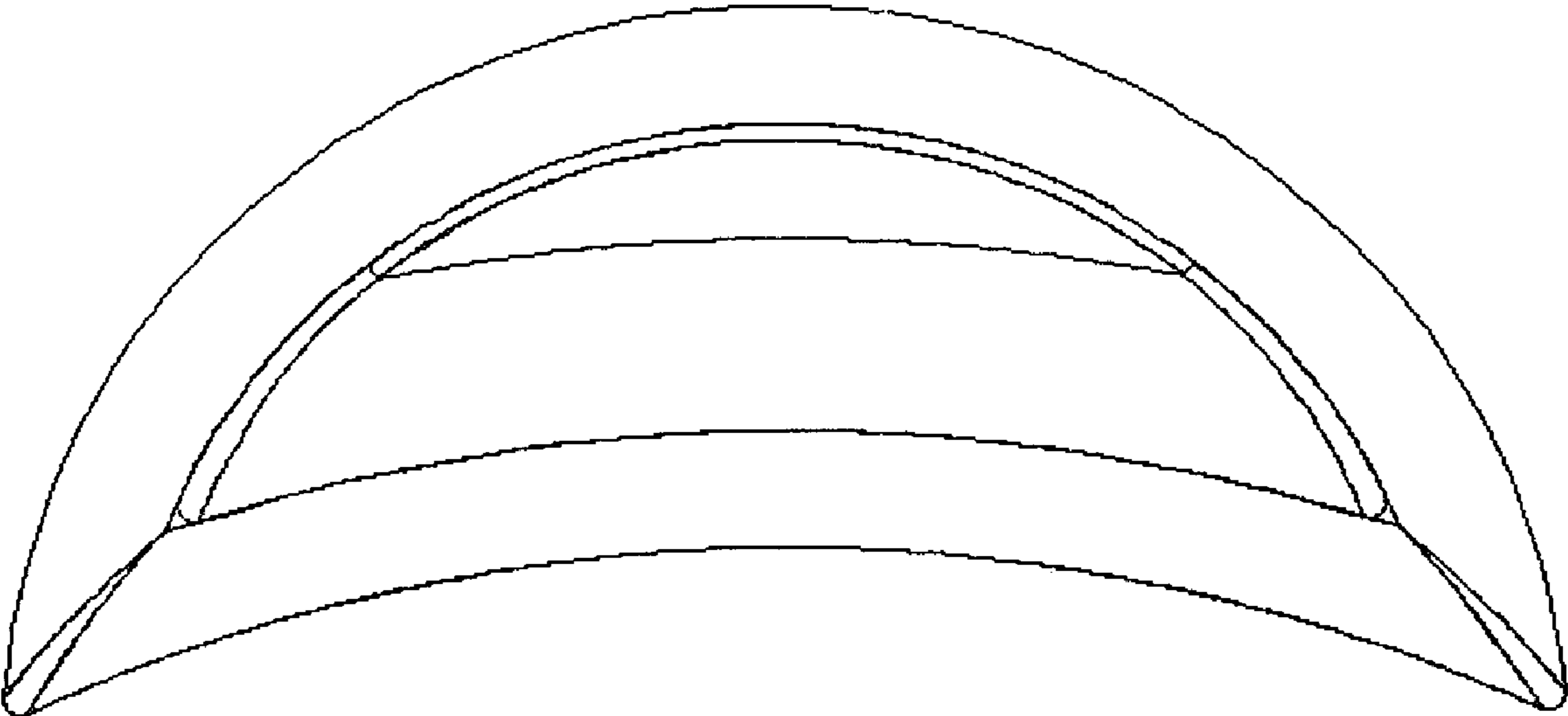
**FIG. 4**



**FIG. 5**



**FIG. 6**



**FIG. 7**