



US00D607273S

(12) **United States Design Patent**  
**Kasper**

(10) **Patent No.:** **US D607,273 S**

(45) **Date of Patent:** **\*\* Jan. 5, 2010**

(54) **HANDLE FOR A UTENSIL**

(75) Inventor: **Pete D. Kasper**, Sylvania, OH (US)

(73) Assignee: **World Tableware Inc.**, Toledo, OH (US)

(\*\*) Term: **14 Years**

(21) Appl. No.: **29/339,330**

(22) Filed: **Jun. 29, 2009**

(51) **LOC (9) Cl.** ..... **07-02**

(52) **U.S. Cl.** ..... **D7/401.2**

(58) **Field of Classification Search** ..... D7/393,  
D7/401.2, 642-646, 649-653, 660-669, 675-676,  
D7/686-696; D8/10, 13, 36, 75, 80, 83,  
D8/87, 98-99, 300-303; D22/118; 30/137,  
30/141-143, 147-150, 299, 322-327, 329,  
30/340, 342-346; 294/1.1, 2, 5.5, 8.5, 33,  
294/59, 99.2, 100; 416/70 R

See application file for complete search history.

(56) **References Cited**

**U.S. PATENT DOCUMENTS**

D179,752 S *	2/1957	Ayres	.....	D7/663
D179,764 S *	2/1957	Doerfler	.....	D7/663
D183,502 S *	9/1958	Toffolon	.....	D7/663
D186,126 S *	9/1959	Burford	.....	D7/663
D270,701 S *	9/1983	Cassini	.....	D7/663
D275,167 S *	8/1984	Laslo	.....	D7/653
D324,469 S *	3/1992	Bouchakian	.....	D7/643
D509,997 S *	9/2005	Tihany	.....	D7/642
D565,362 S *	4/2008	Ito	.....	D7/653
D592,465 S *	5/2009	Coppo	.....	D7/649
D597,798 S *	8/2009	Coppo	.....	D7/649

\* cited by examiner

*Primary Examiner*—Caron Veynar

*Assistant Examiner*—Ricky Pham

(74) *Attorney, Agent, or Firm*—MacMillan, Sobanski & Todd, LLC

(57) **CLAIM**

The ornamental design for a handle for a utensil, as shown and described.

**DESCRIPTION**

FIG. 1 is a top plan view of a handle for a utensil showing the design;

FIG. 2 is a right side elevational view thereof; the left side elevational view being the same;

FIG. 3 is a bottom plan view thereof;

FIG. 4 is a cross-sectional view taken along line 4—4 of FIG. 1;

FIG. 5 is a cross-sectional view taken along line 5—5 of FIG. 1;

FIG. 6 is a first end elevational view thereof;

FIG. 7 is a second end elevational view thereof;

FIG. 8 is a top plan view of an alternate embodiment of the design;

FIG. 9 is a right side elevational view thereof; the left side elevational view being the same;

FIG. 10 is a bottom plan view thereof;

FIG. 11 is a cross-sectional view taken along line 11—11 of FIG. 8;

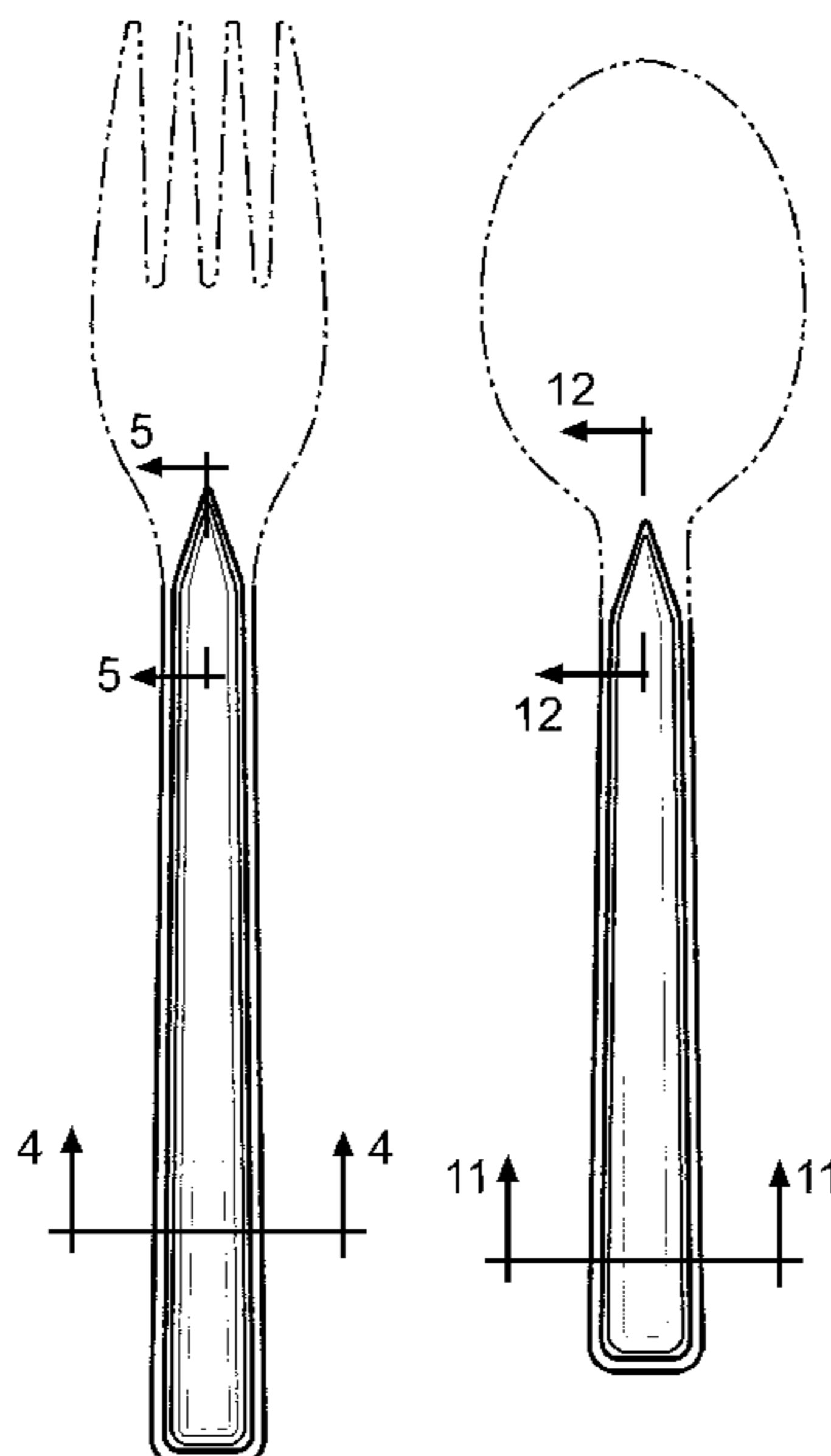
FIG. 12 is a cross-sectional view taken along line 12—12 of FIG. 8;

FIG. 13 is a first end elevational view thereof; and,

FIG. 14 is a second end elevational view thereof.

The broken lines in FIGS. 1-3 and 8-10 are shown for illustrative purposes only and form no part of the claimed design.

**1 Claim, 4 Drawing Sheets**



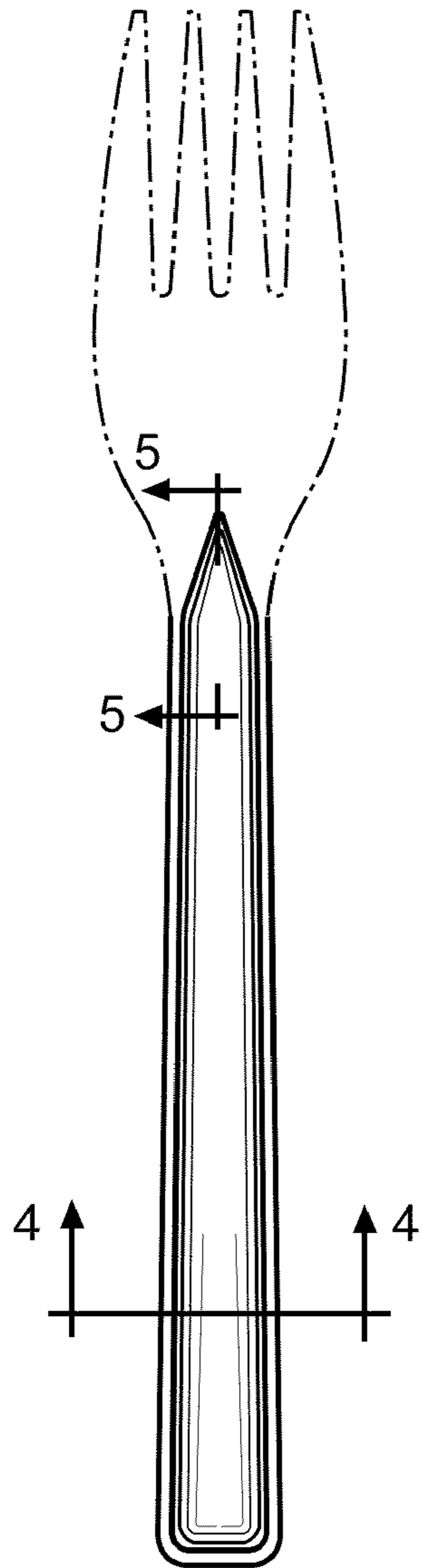


FIG. 1

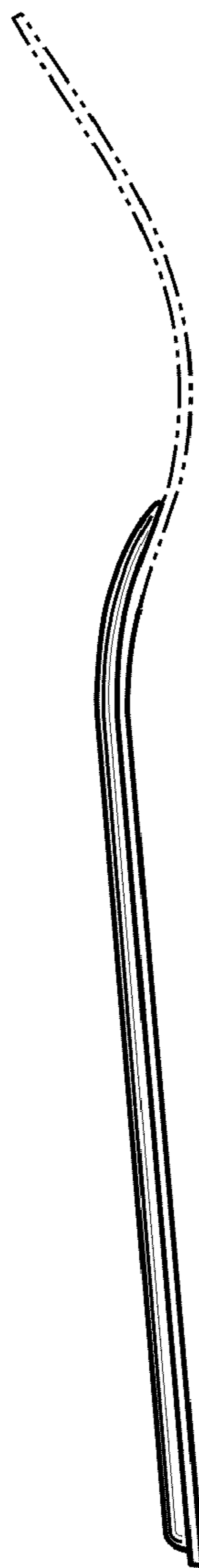


FIG. 2

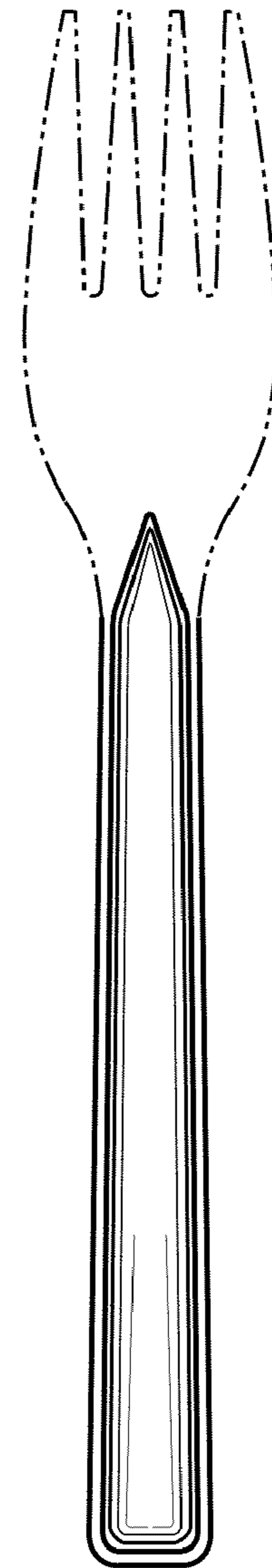


FIG. 3



FIG. 4



FIG. 5

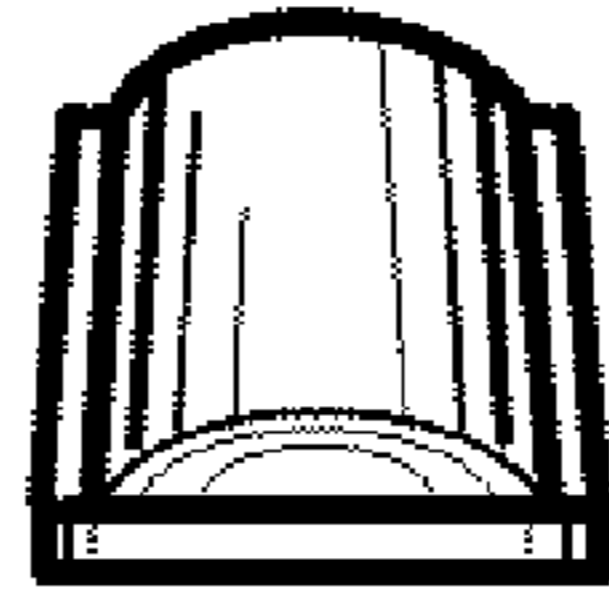
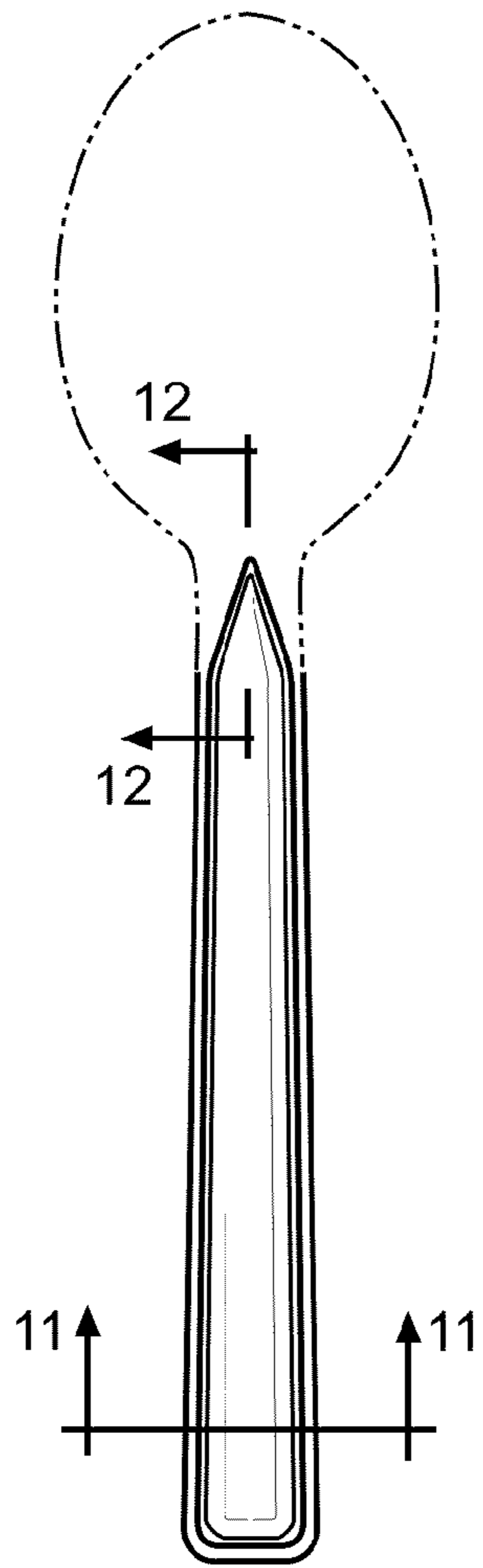


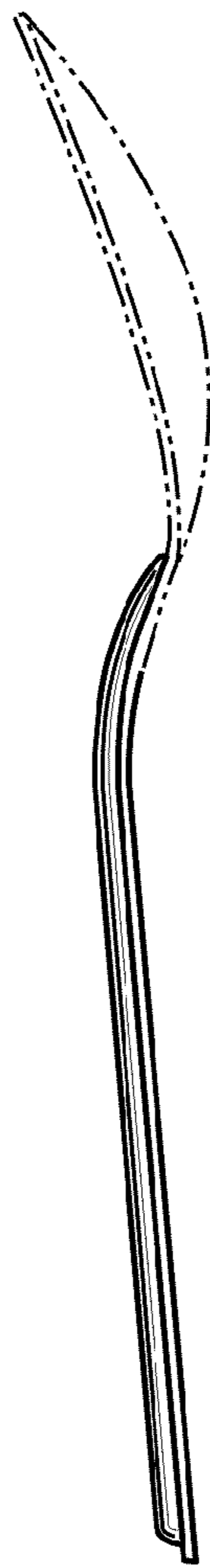
FIG. 6



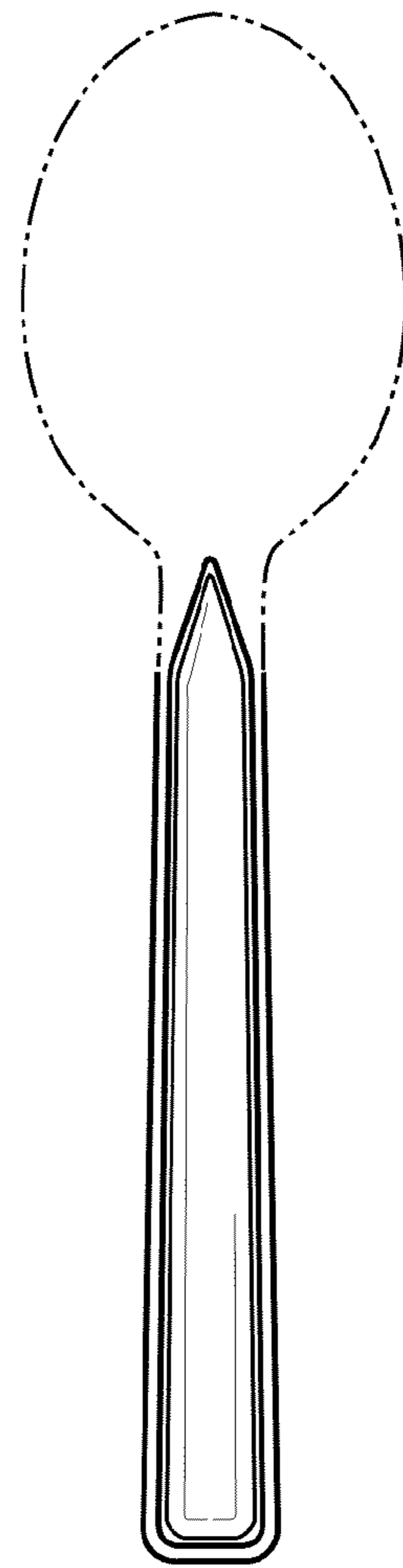
FIG. 7



—FIG. 8



—FIG. 9



—FIG. 10



—FIG. 11



—FIG. 12

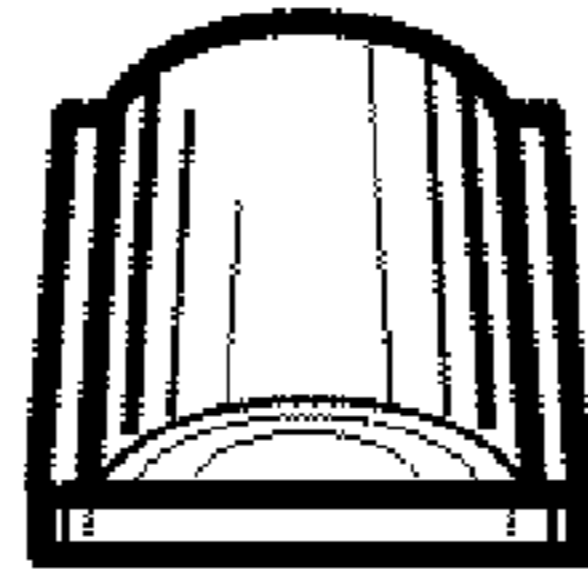


FIG. 13

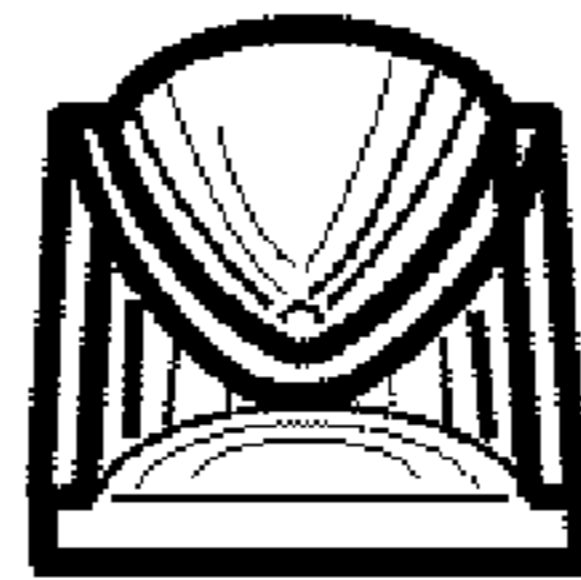


FIG. 14