



US00D607267S

(12) **United States Design Patent**  
**Molayem**

(10) **Patent No.:** **US D607,267 S**

(45) **Date of Patent:** **\*\* Jan. 5, 2010**

(54) **PRESSURE COOKER**

(75) **Inventor:** **Daryoosh Molayem**, Beverly Hills, CA  
(US)

(73) **Assignee:** **Tabletops Unlimited, Inc.**, Carson, CA  
(US)

(\*\*) **Term:** **14 Years**

(21) **Appl. No.:** **29/337,509**

(22) **Filed:** **May 22, 2009**

(51) **LOC (9) Cl.** ..... **07-02**

(52) **U.S. Cl.** ..... **D7/358; D7/391**

(58) **Field of Classification Search** ..... D7/323,  
D7/330-331, 339, 347, 350-367, 378-379,  
D7/383-384, 391, 542-545; 99/324-325,  
99/329 R, 330-339; 219/432-433, 438-441,  
219/620-622, 725-730; 220/203.1, 203.7,  
220/303, 573.1-574, 769; 426/438, 441  
See application file for complete search history.

(56) **References Cited**

**U.S. PATENT DOCUMENTS**

D345,886 S \* 4/1994 Gingele ..... D7/360  
D370,827 S \* 6/1996 Combe ..... D7/360  
D413,483 S \* 9/1999 Roussard ..... D7/358

D476,191 S \* 6/2003 Josancy ..... D7/358  
D486,352 S \* 2/2004 Park ..... D7/358  
D549,517 S \* 8/2007 Moran ..... D7/358

\* cited by examiner

*Primary Examiner*—Caron Veynar

*Assistant Examiner*—Ricky Pham

(74) *Attorney, Agent, or Firm*—Blakely, Sokoloff, Taylor & Zafman LLP

(57) **CLAIM**

The ornamental design for a pressure cooker, as shown and described.

**DESCRIPTION**

FIG. 1 is a side perspective view of the pressure cooker.

FIG. 2 is a left side view of the pressure cooker; the right side view is a mirror image thereof.

FIG. 3 is a front view of the pressure cooker.

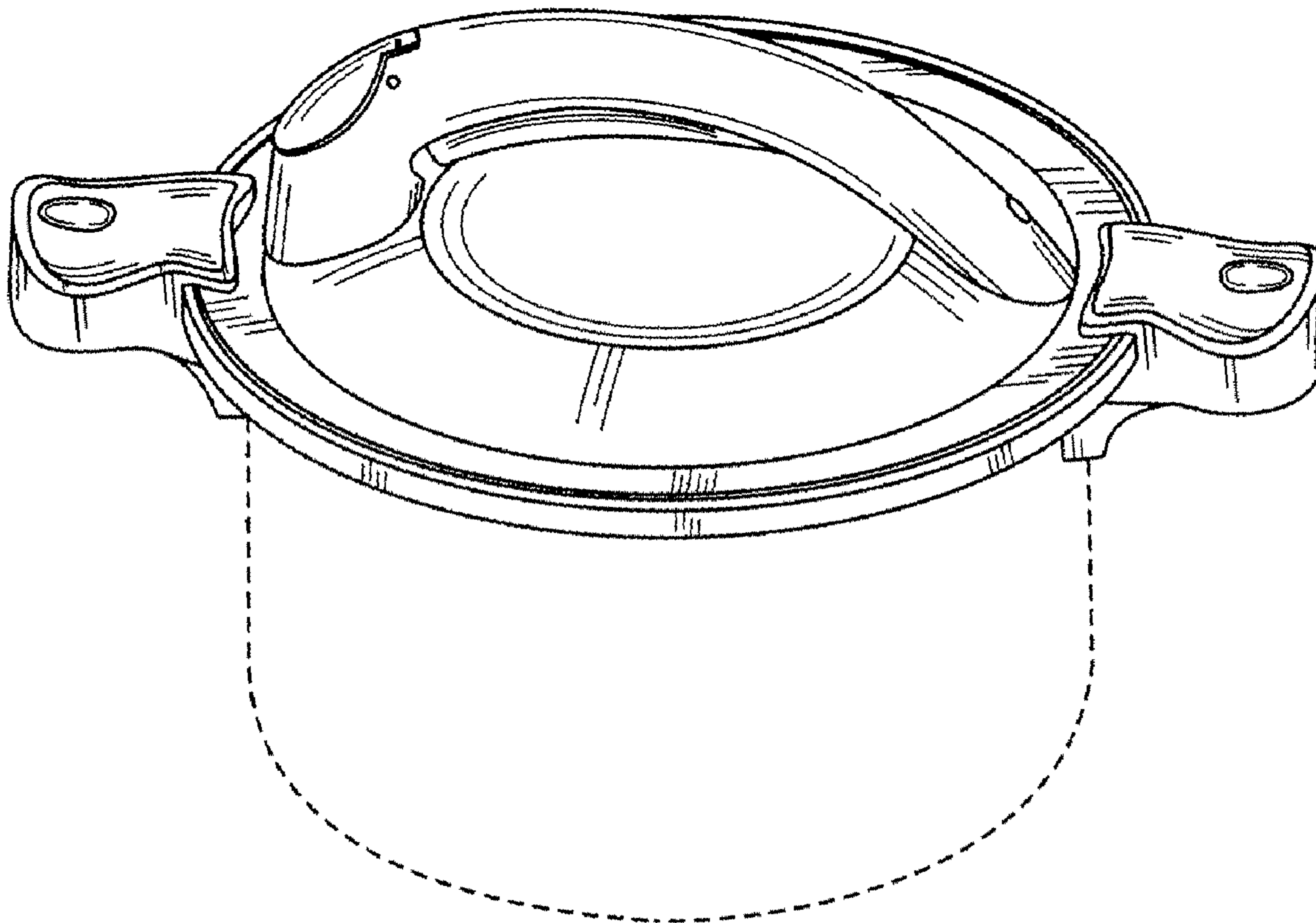
FIG. 4 is a rear view of the pressure cooker.

FIG. 5 is a top view of the pressure cooker; and,

FIG. 6 is a bottom view of the pressure cooker.

The broken lines in the figures are for environmental purpose only and form no part of the claimed design.

**1 Claim, 6 Drawing Sheets**



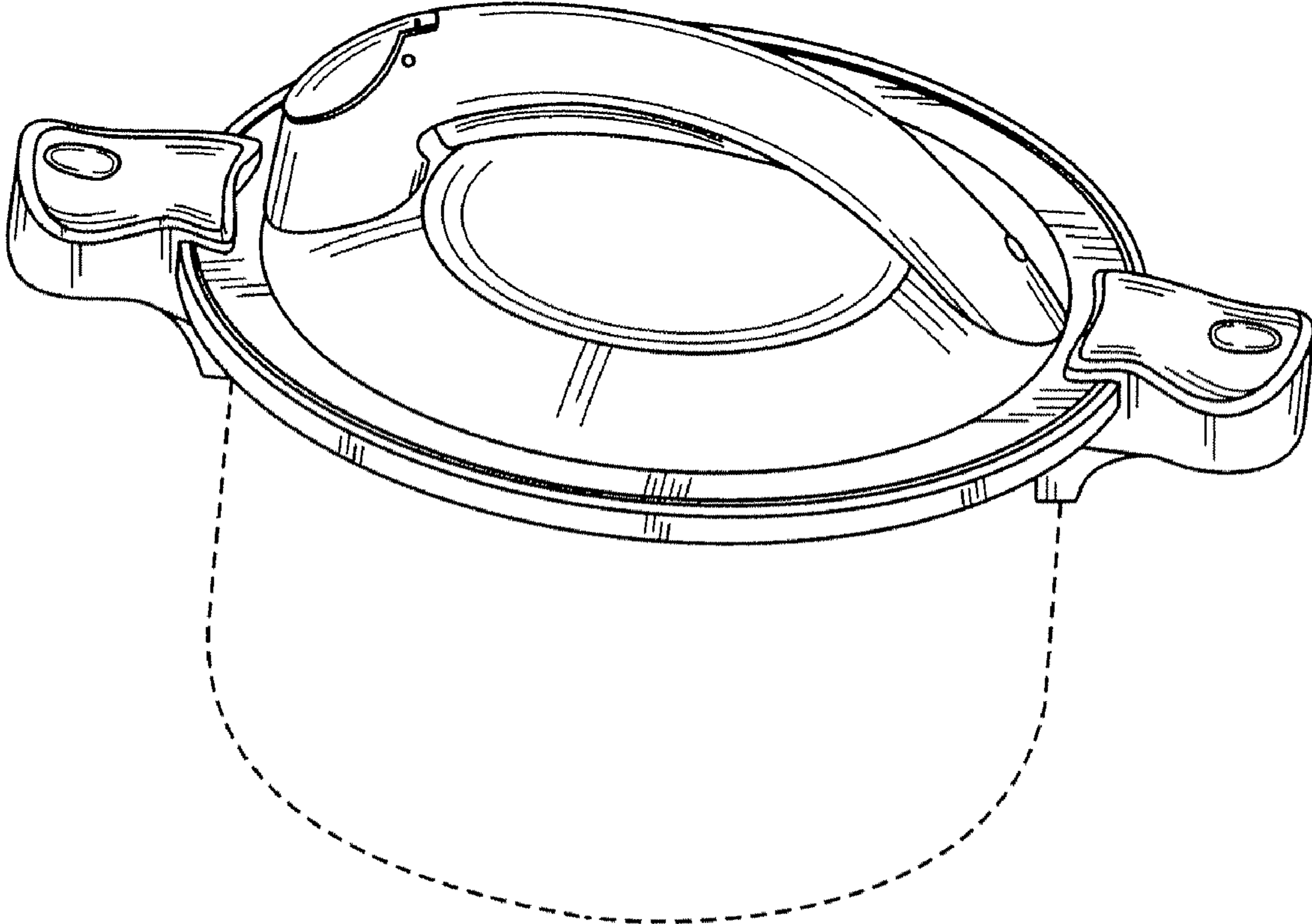


FIG. 1

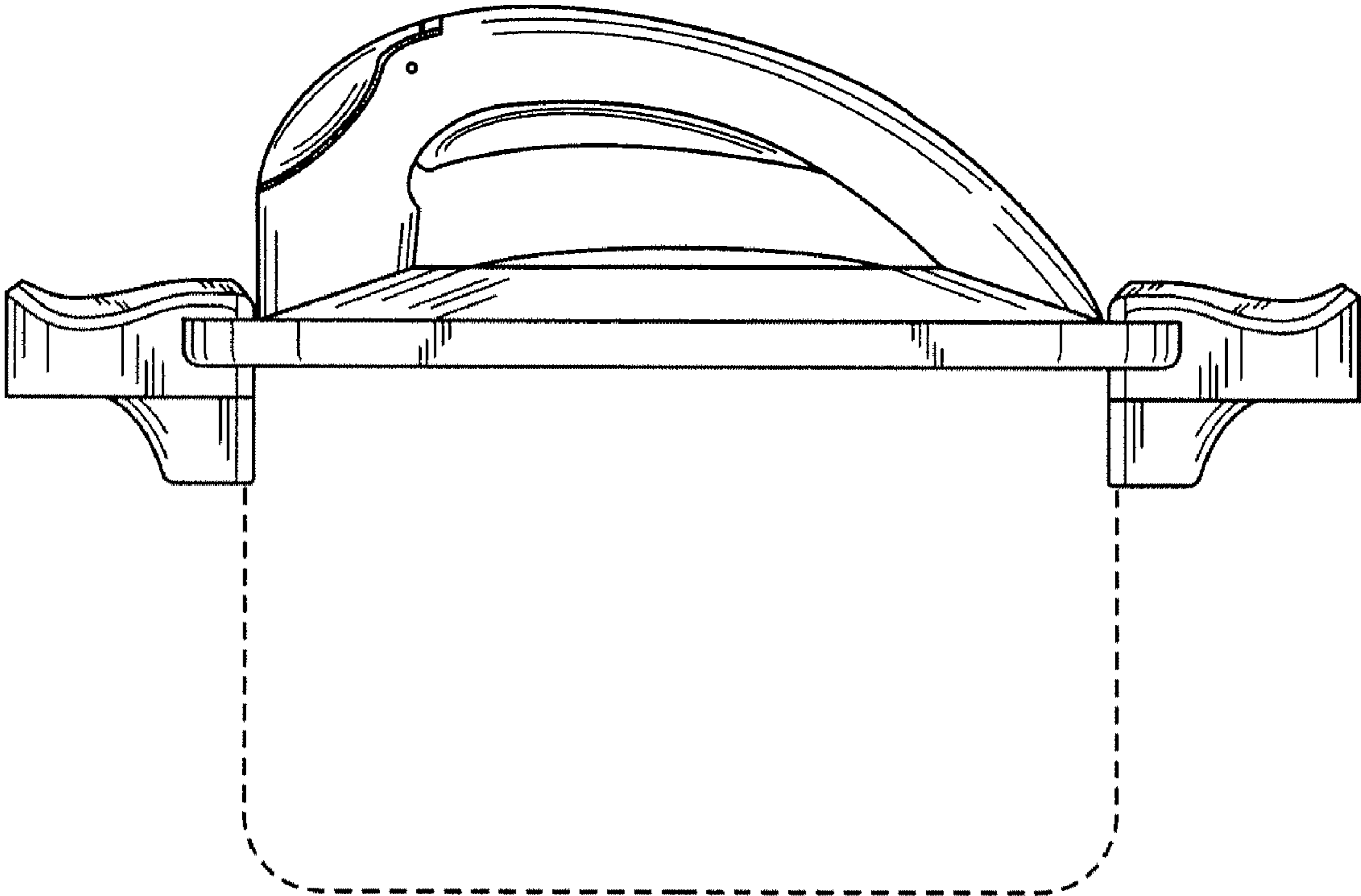


FIG. 2

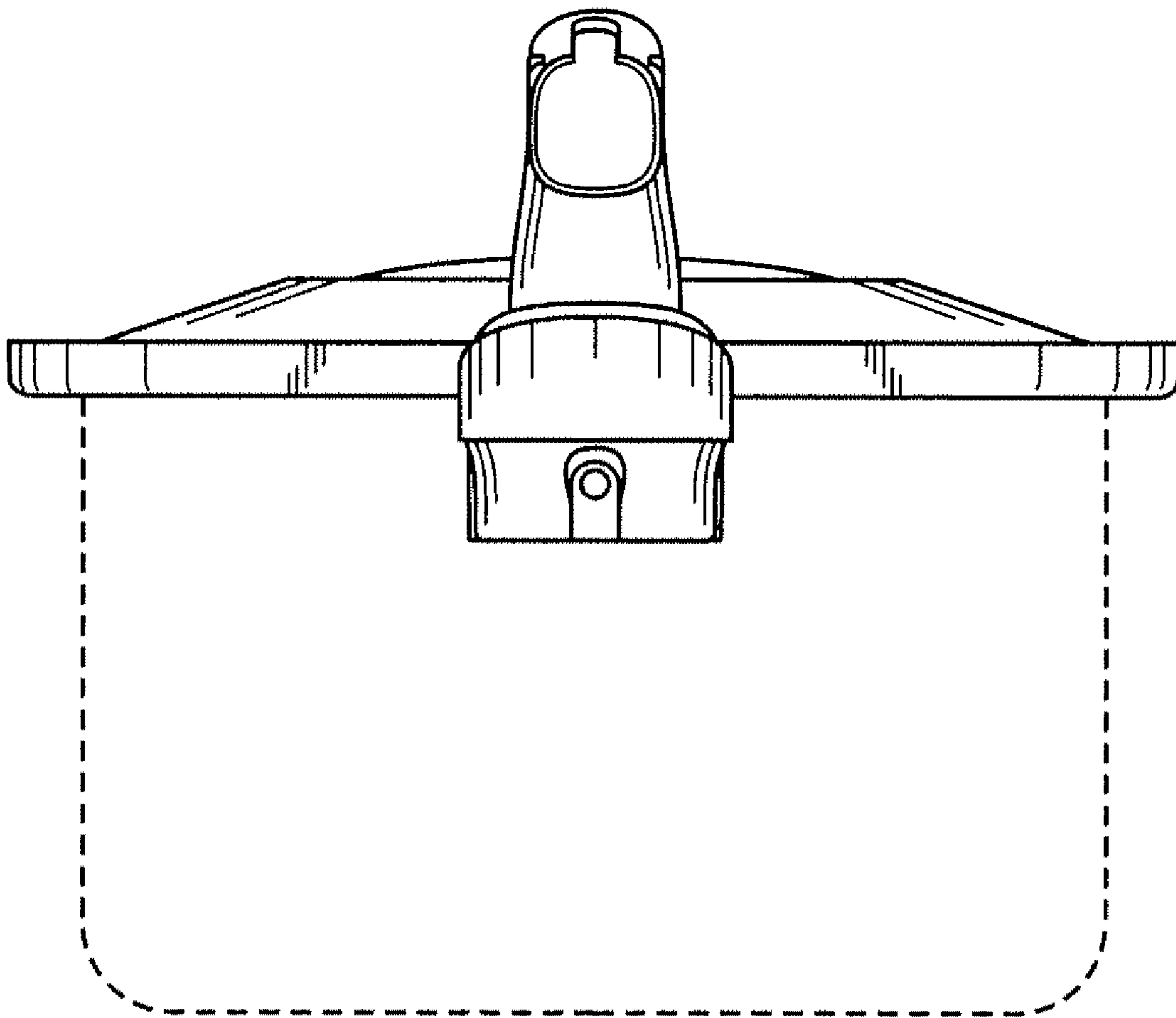


FIG. 3

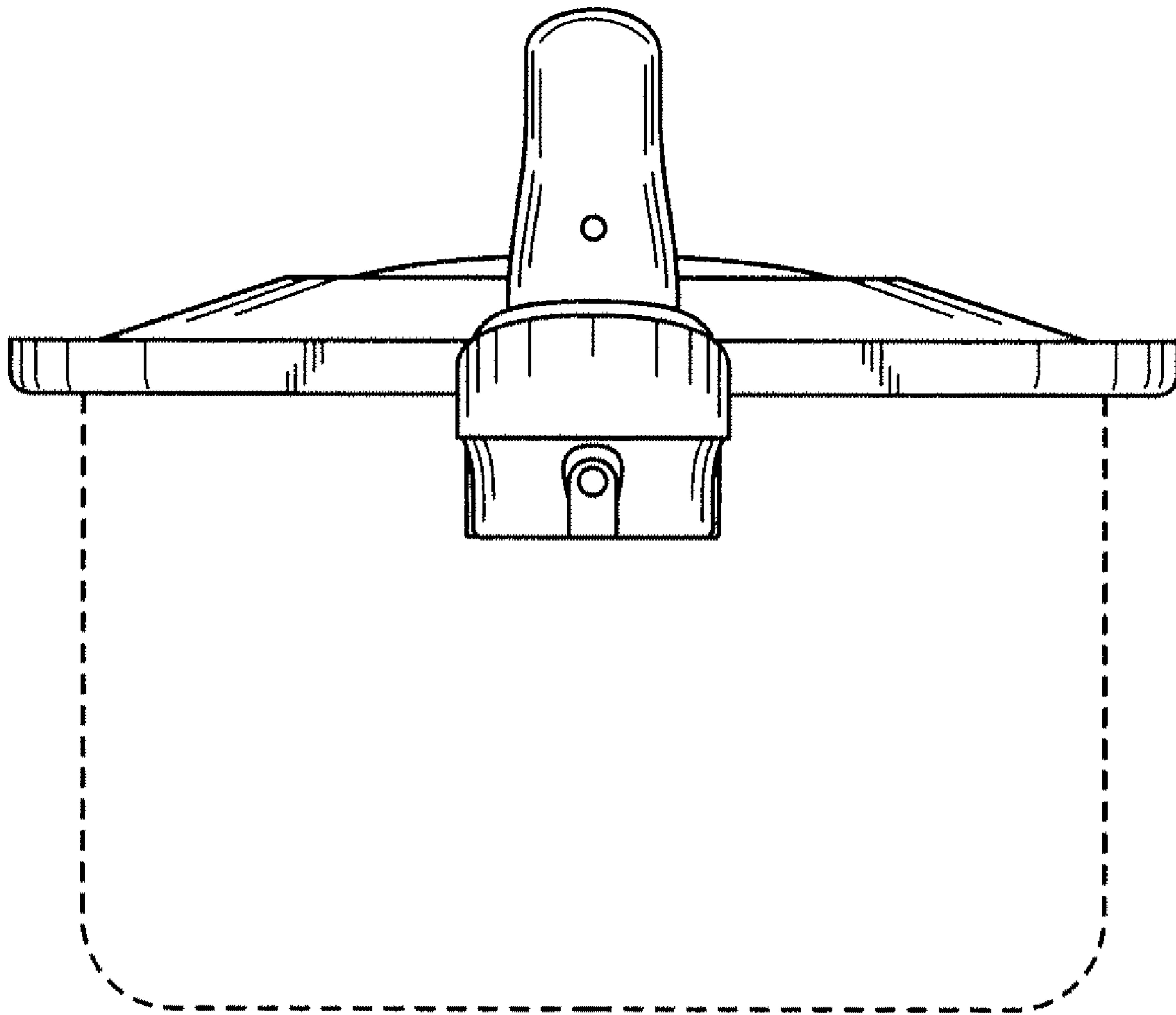


FIG. 4



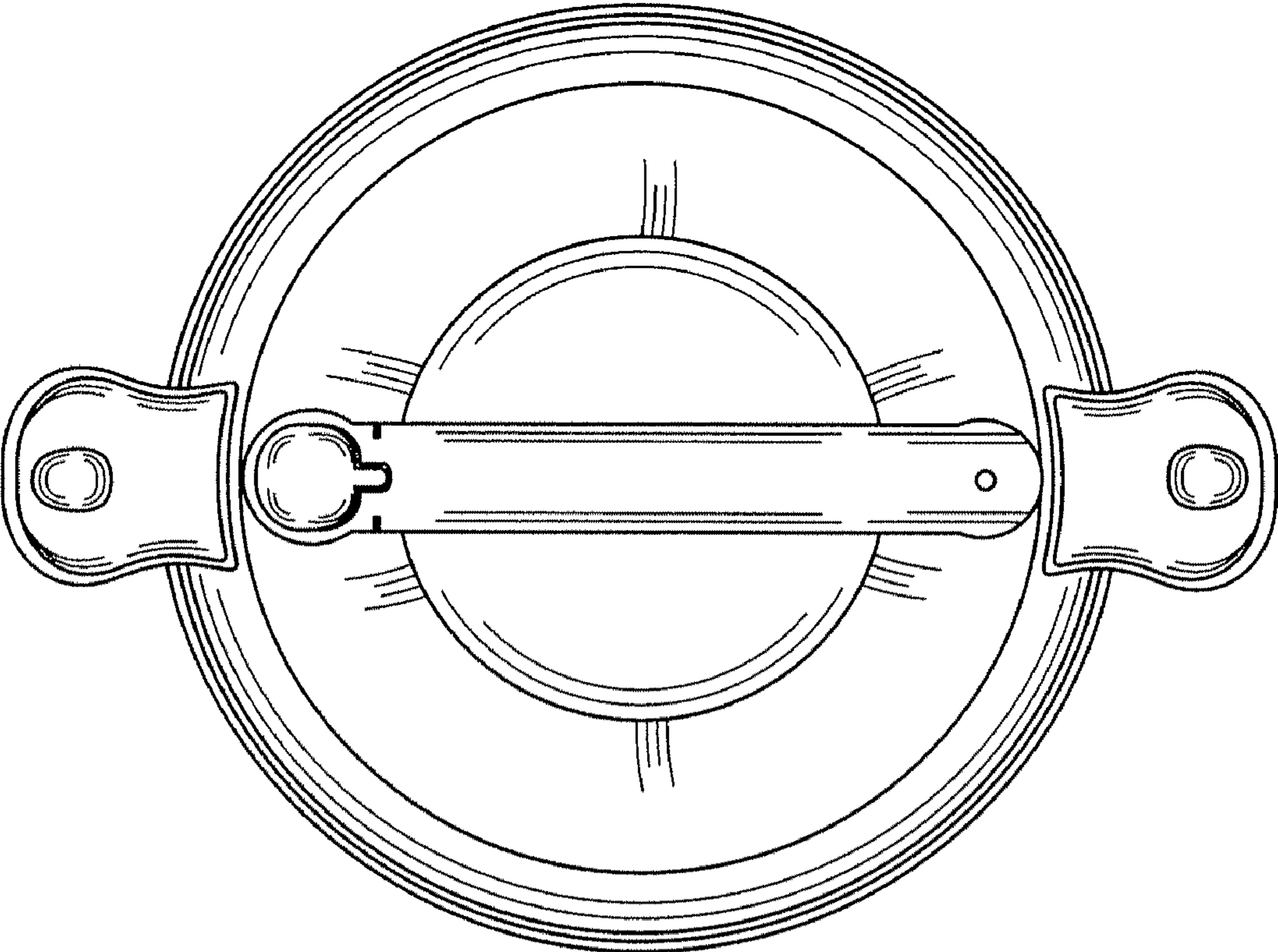


FIG. 5

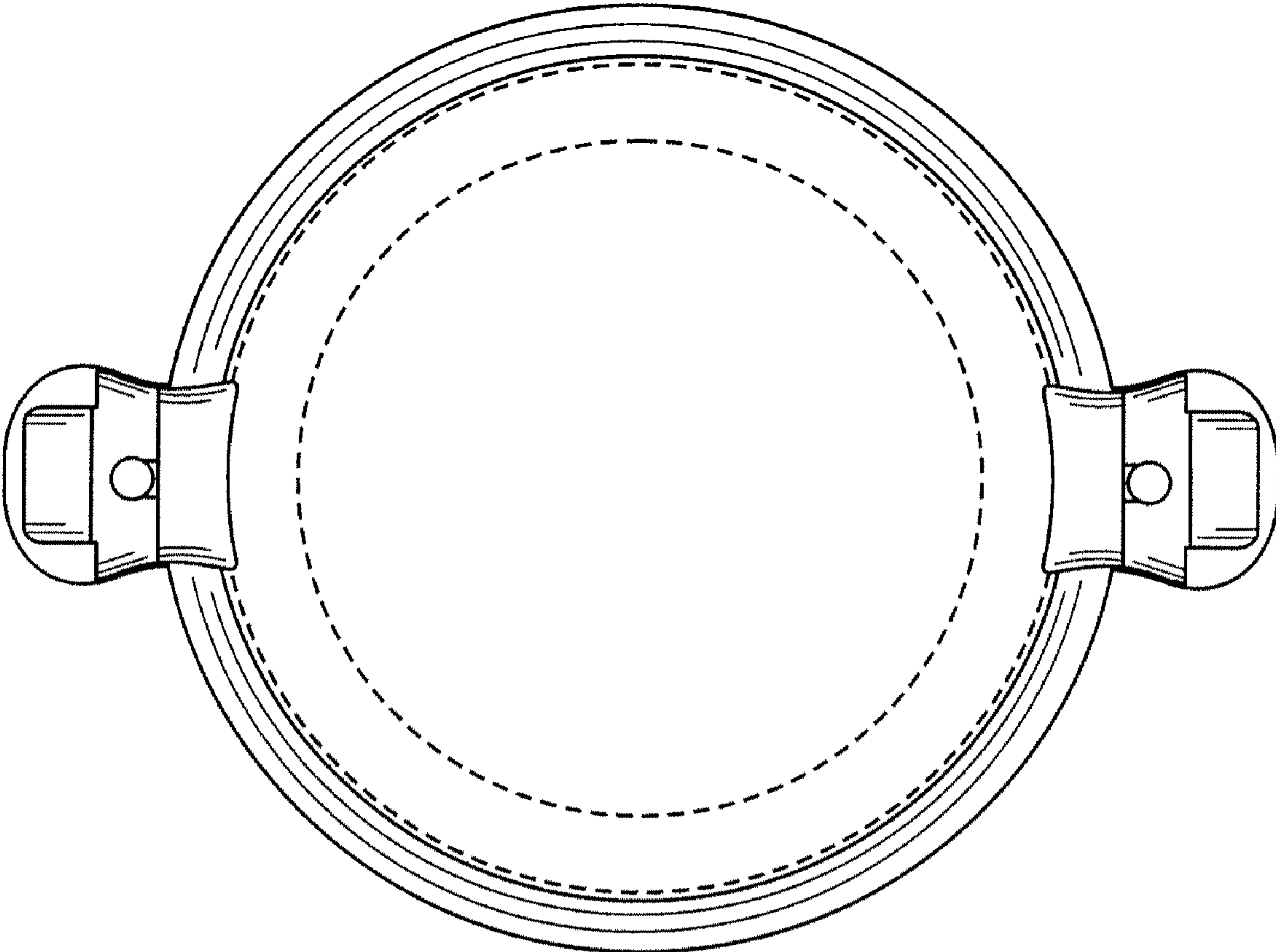


FIG. 6