



US00D607266S

(12) **United States Design Patent**
Picozza et al.

(10) **Patent No.:** **US D607,266 S**
(45) **Date of Patent:** **** Jan. 5, 2010**

(54) **SLOW COOKER**

(75) Inventors: **Augusto Picozza**, Boca Raton, FL (US);
Nancy Perkins, Dallas, TX (US); **Diana W. Juratovac**, Columbus, OH (US);
Elisabeth Sung-Eun Choi, Sungnam-si (KR)

(73) Assignee: **Sunbeam Products, Inc.**, Boca Raton, FL (US)

(**) Term: **14 Years**

(21) Appl. No.: **29/342,124**

(22) Filed: **Aug. 19, 2009**

(51) **LOC (9) Cl.** **07-02**

(52) **U.S. Cl.** **D7/354**

(58) **Field of Classification Search** D7/323,
D7/330-331, 339, 36, 350.2, 350-367, 378-379,
D7/383-384, 391, 406, 542-545; 99/324-325,
99/239 R, 330-339; 219/432-433, 438-441,
219/620-622, 725-730; 220/203.1, 203.7,
220/303, 573.1-574, 769, 912; 426/438,
426/441

See application file for complete search history.

(56) **References Cited**

U.S. PATENT DOCUMENTS

D104,914 S * 6/1937 Cross D7/360
D113,632 S * 3/1939 Howlett D7/360

D152,042 S * 12/1948 Sundberg et al. D7/360
D366,592 S * 1/1996 Cesaroni et al. D7/360
D434,940 S * 12/2000 Hlava et al. D7/354
D451,335 S * 12/2001 Rossman D7/360
D511,643 S * 11/2005 Ball et al. D7/360
D537,670 S * 3/2007 Genslak et al. D7/354
D575,578 S * 8/2008 Ball D7/360
D575,579 S * 8/2008 Ball D7/360

* cited by examiner

Primary Examiner—Caron Veynar

Assistant Examiner—Ricky Pham

(74) *Attorney, Agent, or Firm*—Lawrence J. Shurupoff

(57) **CLAIM**

The ornamental design for a slow cooker, as shown and described.

DESCRIPTION

FIG. 1 is a front right perspective view of the slow cooker showing the new design;

FIG. 2 is a front elevation view thereof;

FIG. 3 is a back side elevation view thereof;

FIG. 4 is a right side elevation thereof;

FIG. 5 is a left side elevation thereof; and,

FIG. 6 is a top plan view thereof.

The broken lines in the drawings are for illustrative purposes only and form no part of the claimed design.

1 Claim, 3 Drawing Sheets

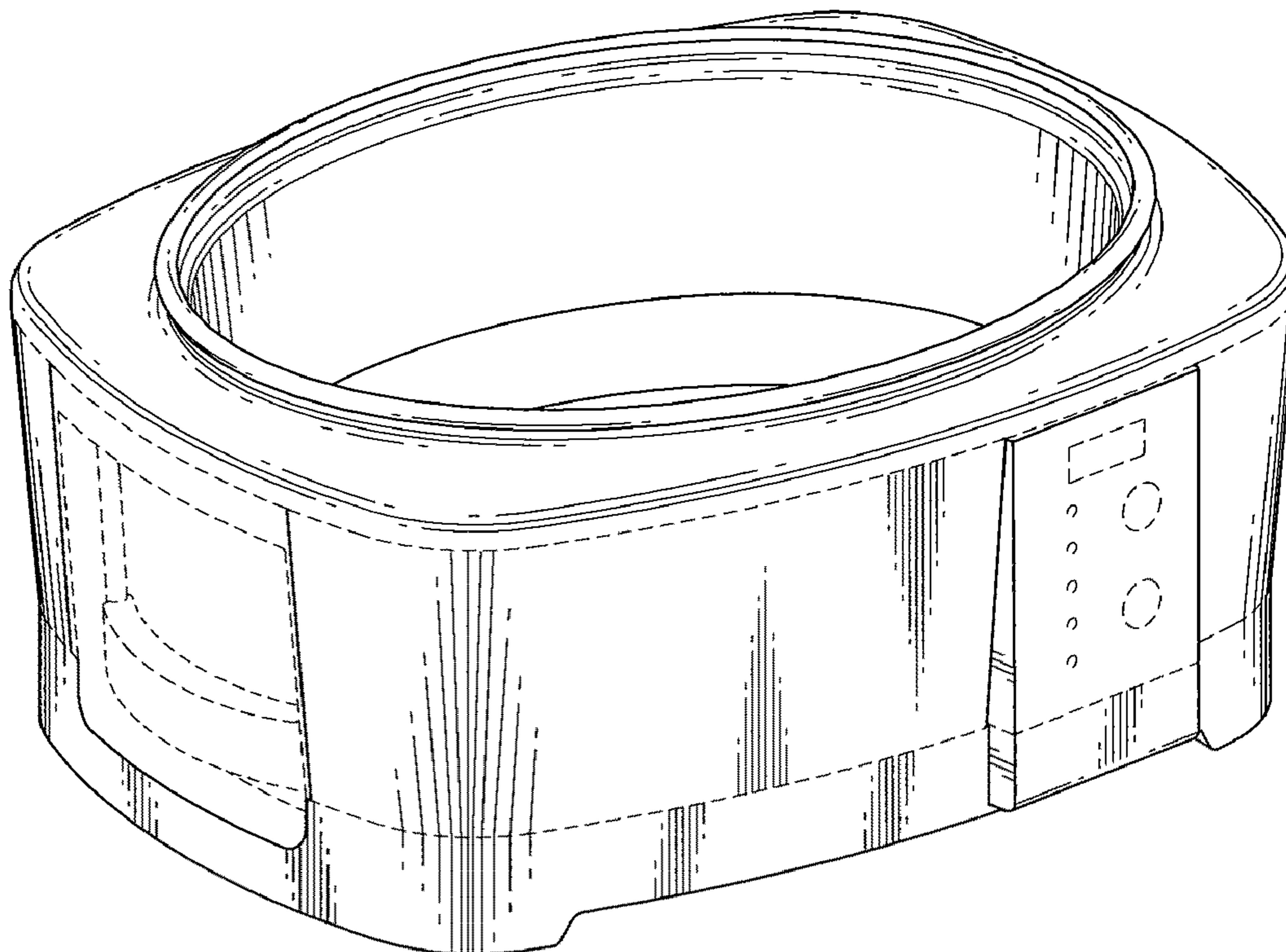


FIG. 1

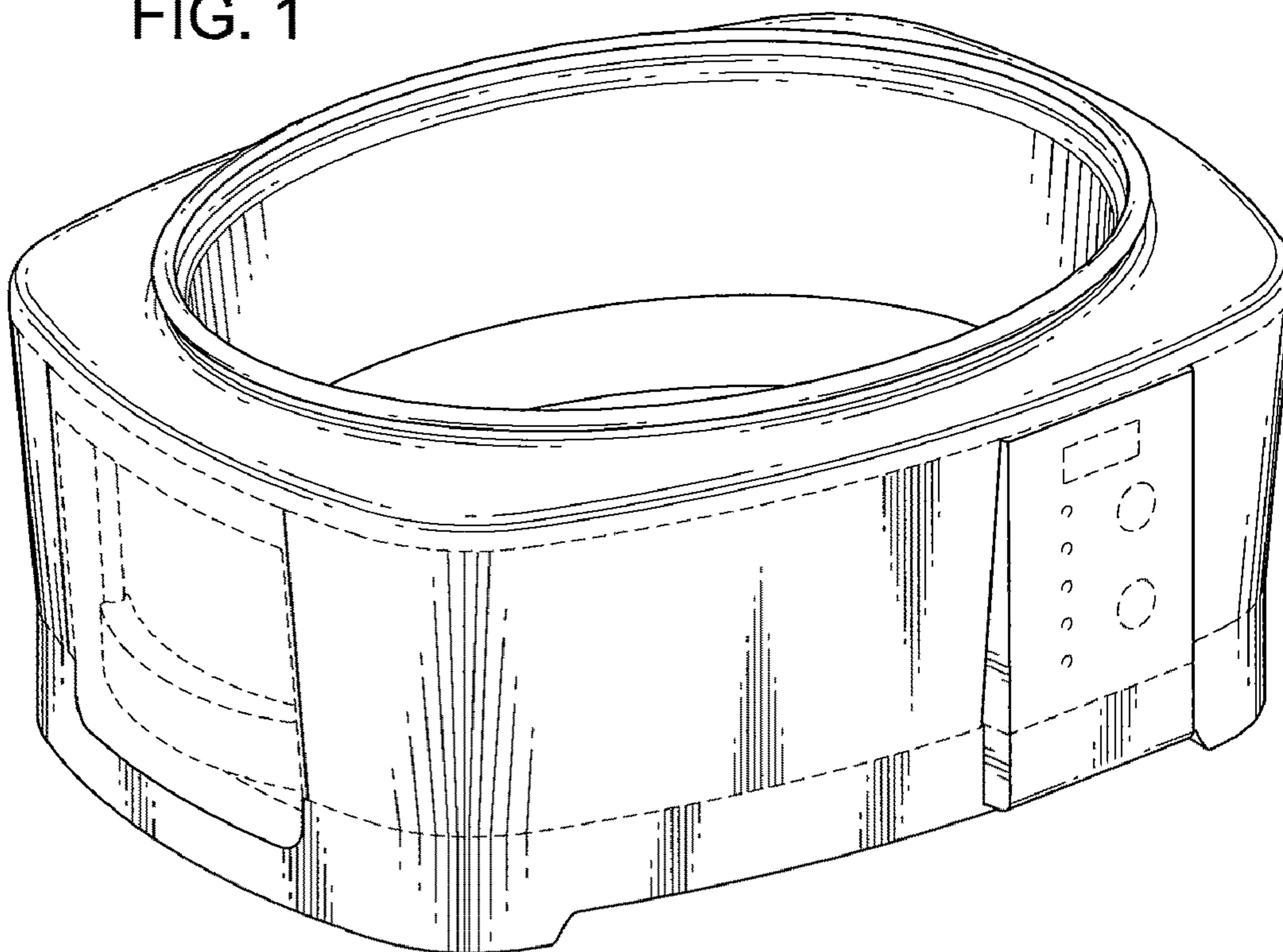


FIG. 2

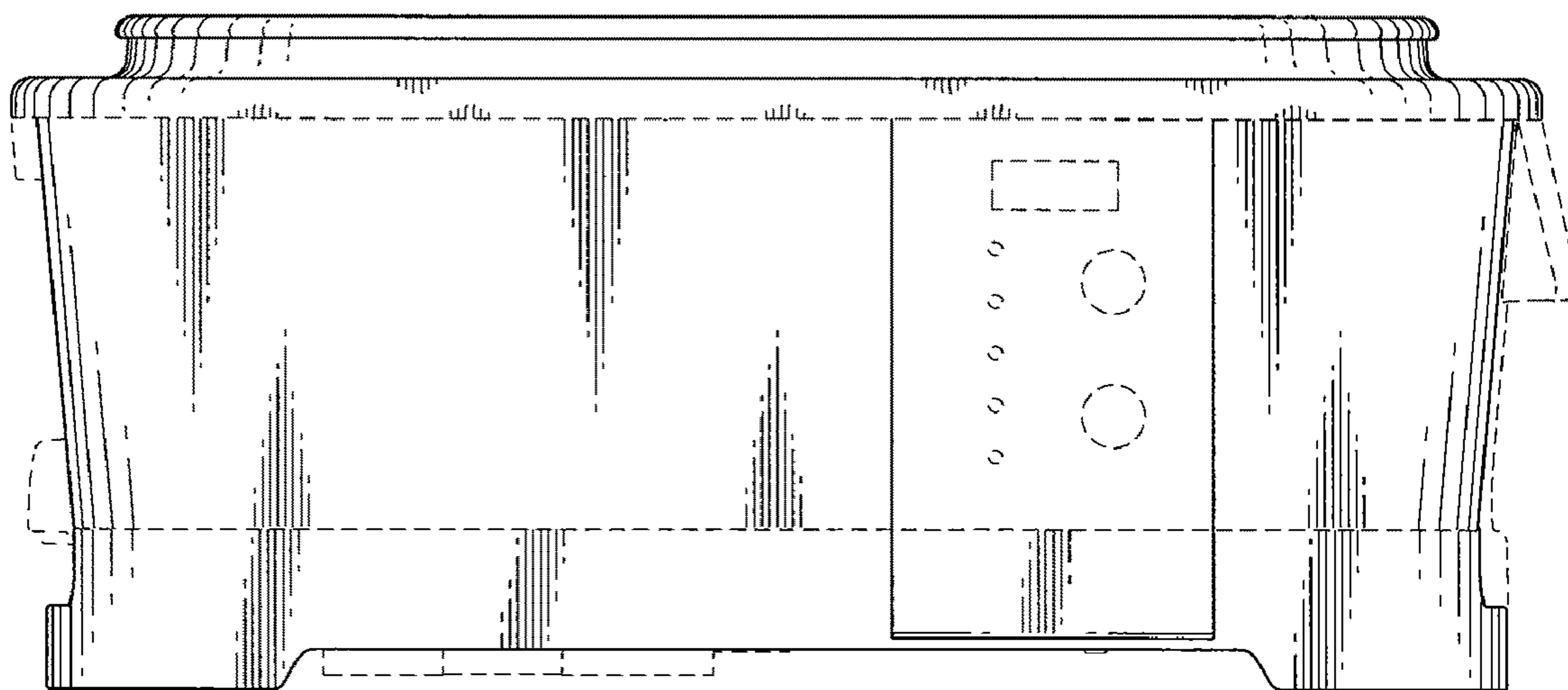


FIG. 3

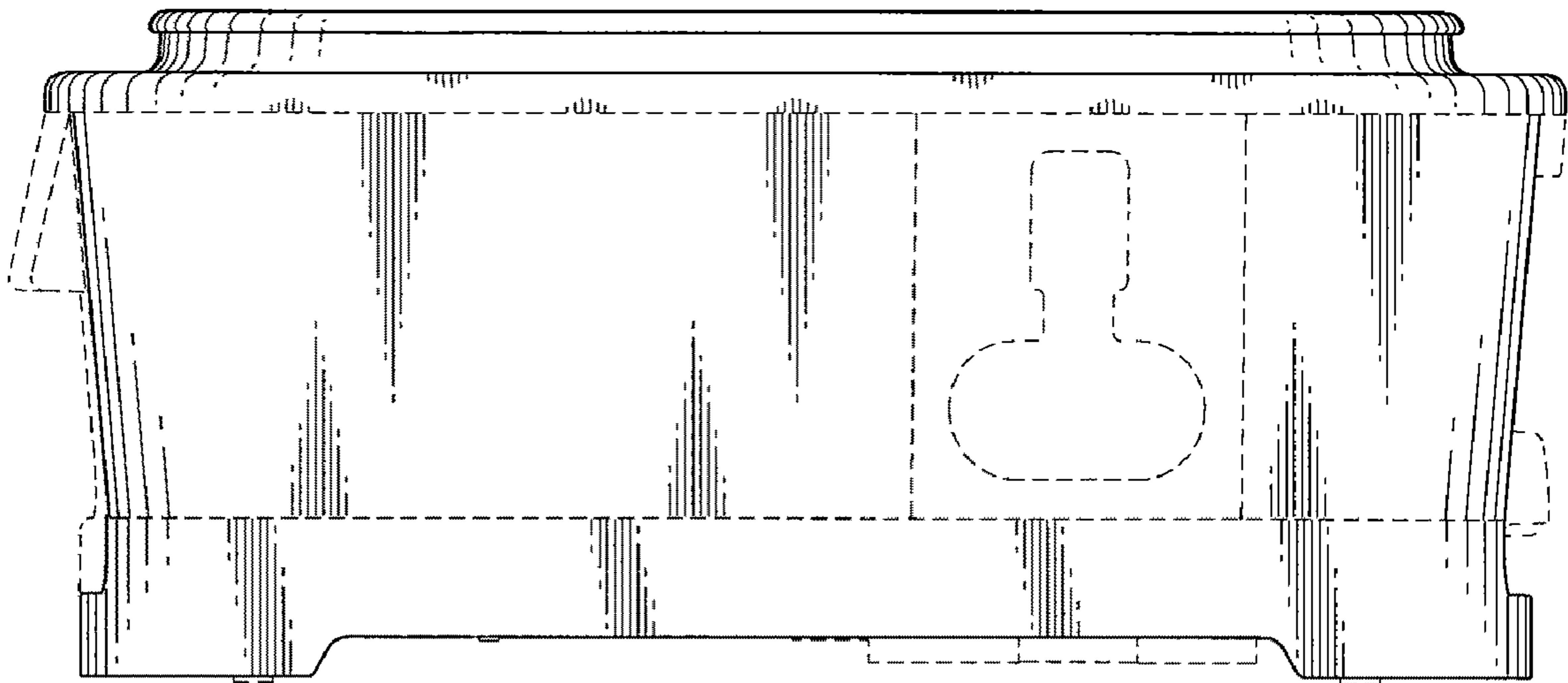


FIG. 4

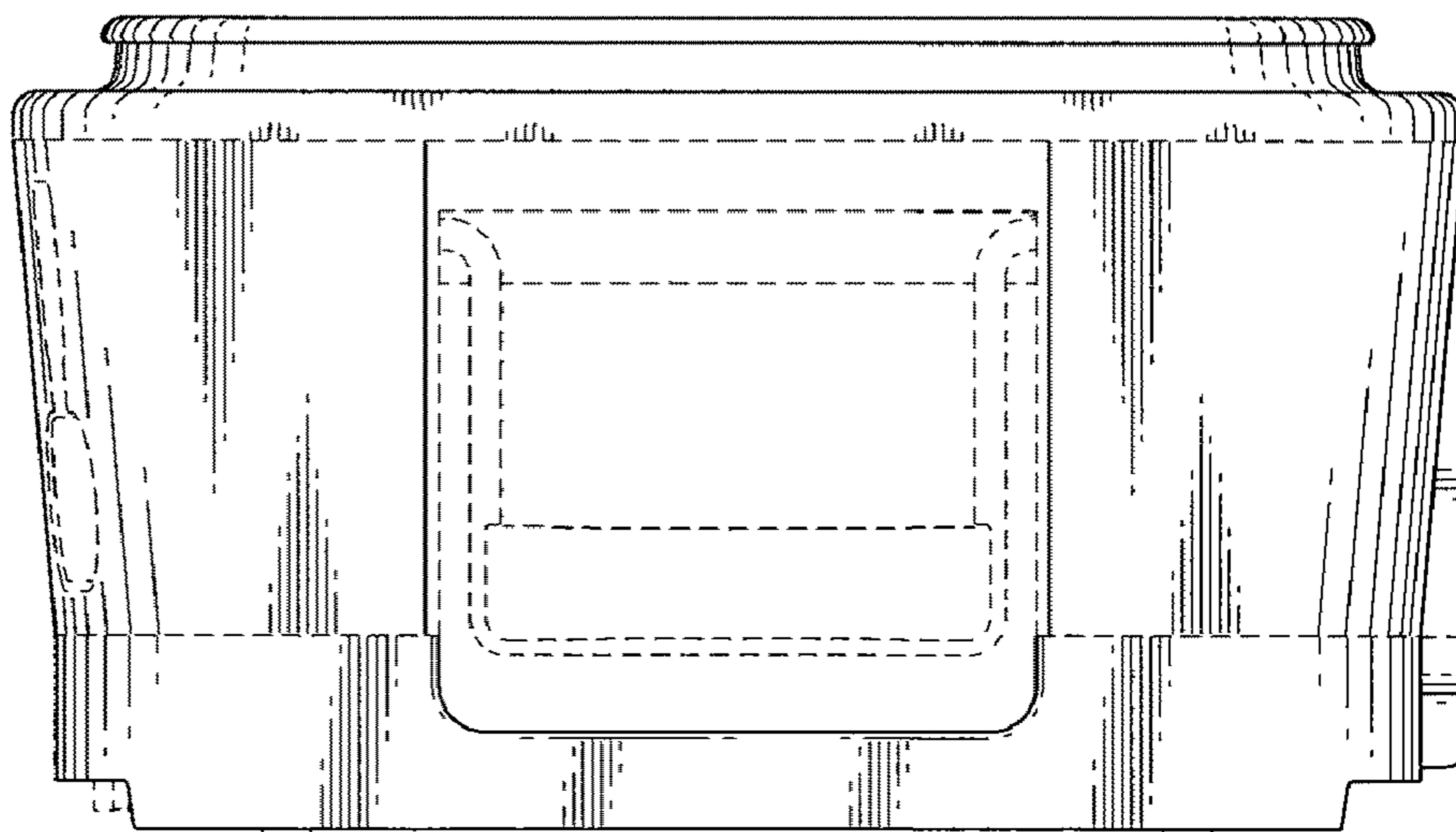


FIG. 5

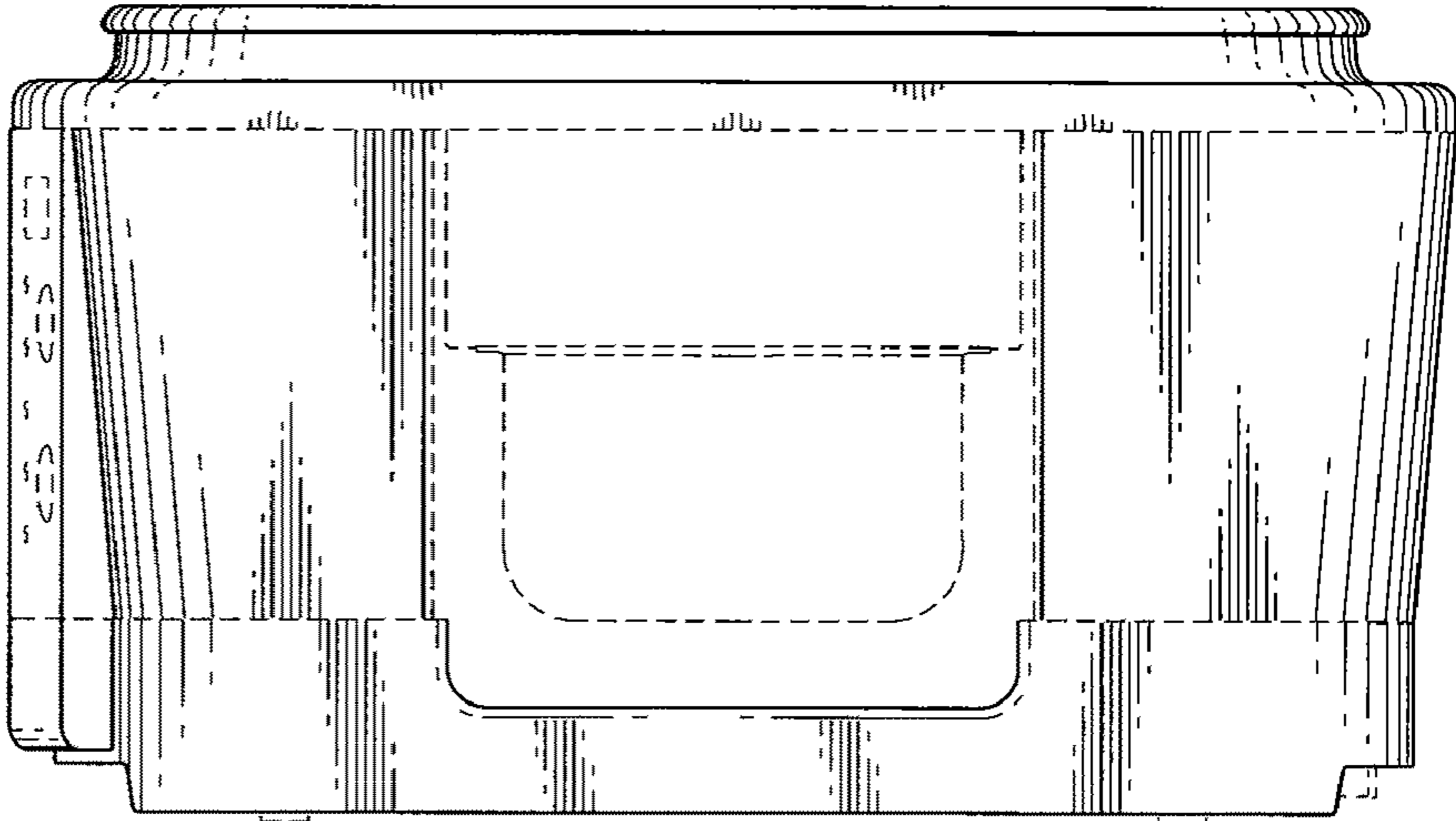


FIG. 6

