



US00D607263S

(12) **United States Design Patent**  
**Antwine**

(10) **Patent No.:** **US D607,263 S**  
(45) **Date of Patent:** **\*\* Jan. 5, 2010**

(54) **COOKING GRILL**

(76) Inventor: **Kenneth Antwine**, 11845 Journey's End Trail, Huntersville, NC (US) 28078

(\*\*) Term: **14 Years**

(21) Appl. No.: **29/336,281**

(22) Filed: **Apr. 30, 2009**

**Related U.S. Application Data**

(63) Continuation of application No. 11/851,664, filed on Sep. 7, 2007.

(51) **LOC (9) Cl.** ..... **15-05**

(52) **U.S. Cl.** ..... **D7/334**

(58) **Field of Classification Search** ..... D7/332, D7/334, 402-404; 126/25 R, 41 R, 25 A, 126/40, 50, 37 R; 99/444, 450, 419  
See application file for complete search history.

(56) **References Cited**

**U.S. PATENT DOCUMENTS**

D144,431 S \* 4/1946 Talley ..... D7/332  
D165,998 S \* 2/1952 Pollard ..... D7/334

3,533,393 A \* 10/1970 Haapanen ..... 126/25 R  
D255,863 S \* 7/1980 Futch ..... D7/334  
D380,932 S \* 7/1997 Duray ..... D7/334  
D406,488 S \* 3/1999 Bates et al. .... D7/334  
D406,489 S \* 3/1999 Williams et al. .... D7/334  
D426,101 S \* 6/2000 Pai ..... D7/334  
D573,837 S \* 7/2008 Drewery et al. .... D7/402  
2008/0210214 A1 \* 9/2008 Wade ..... 126/25 R

\* cited by examiner

*Primary Examiner*—Ruth McInroy

(74) *Attorney, Agent, or Firm*—Adams Intellectual Property Law

(57) **CLAIM**

I claim the ornamental design for a cooking grill, as shown and described.

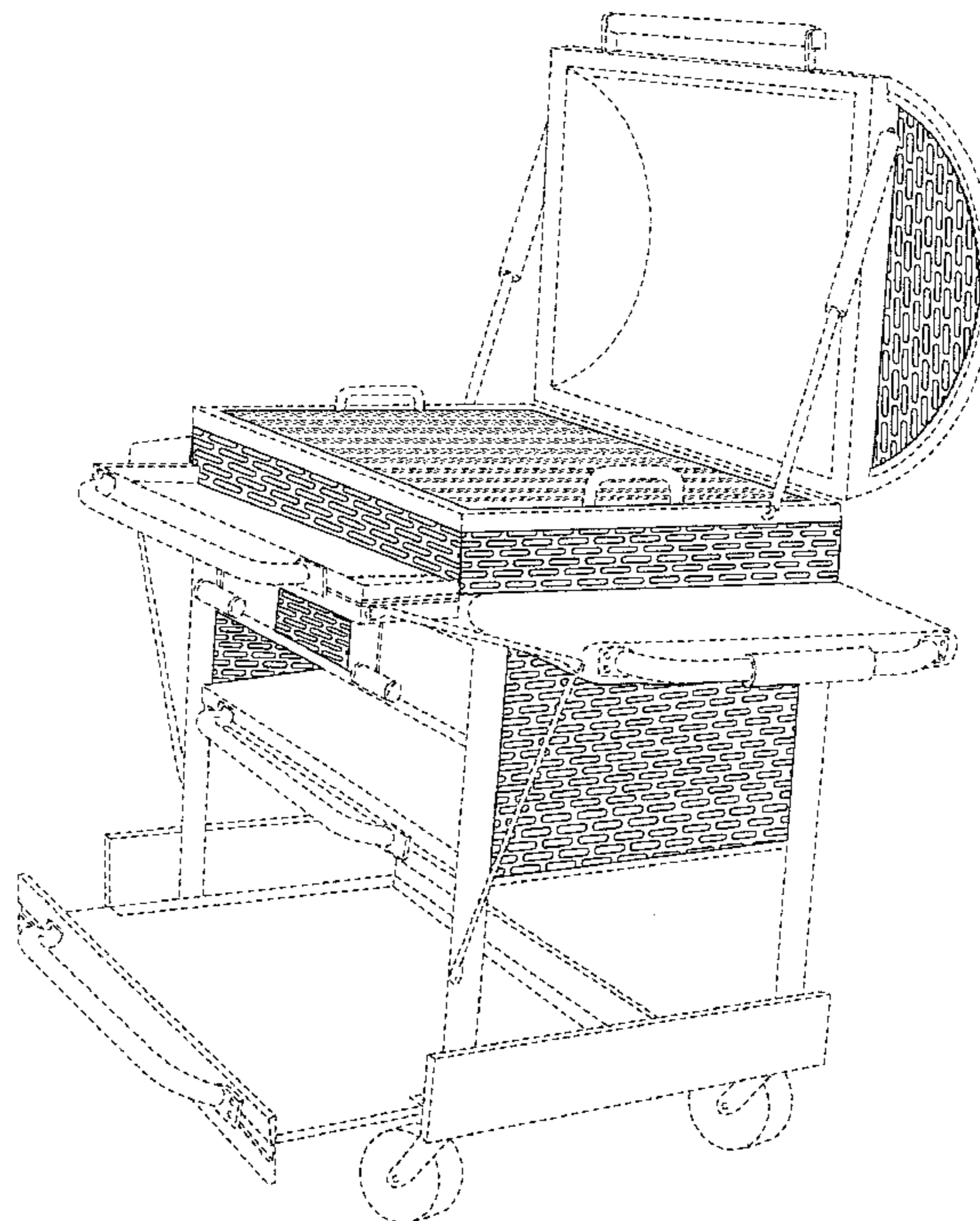
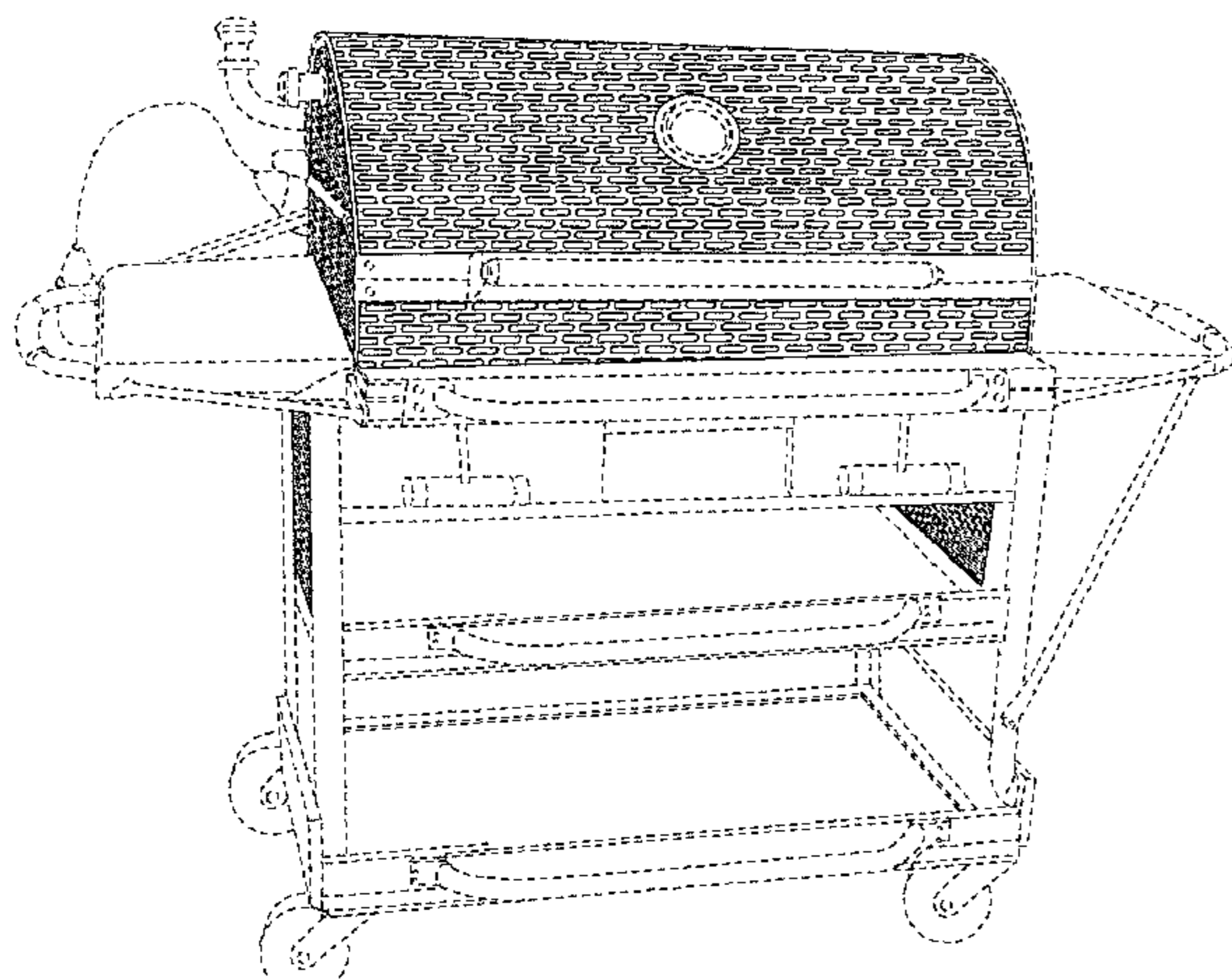
**DESCRIPTION**

FIG. 1 is a perspective view of the front and the left side of a cooking grill showing the new design;

FIG. 2 is a perspective view of the front and the right side thereof; and,

FIG. 3. is a rear perspective view thereof.

**1 Claim, 3 Drawing Sheets**



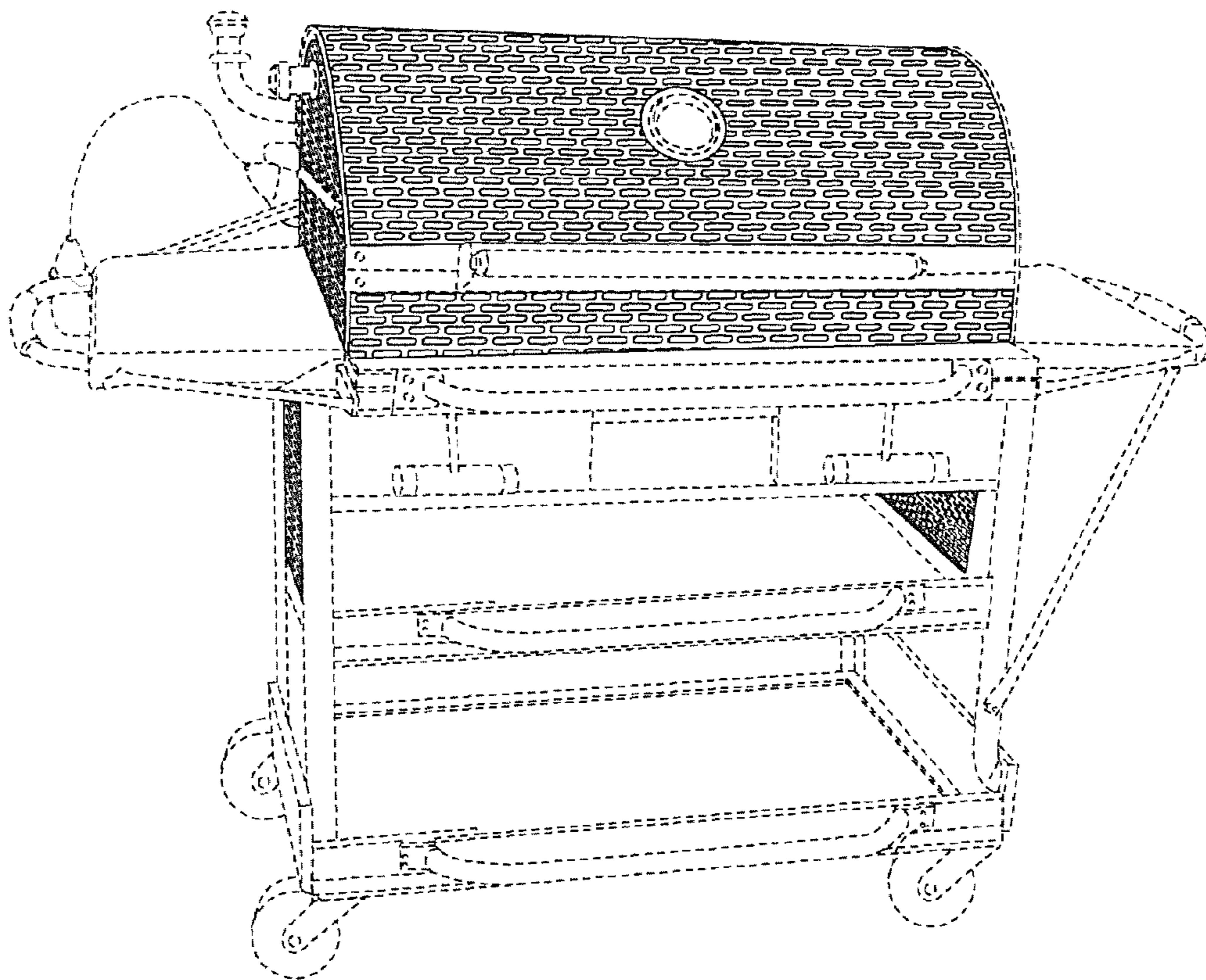


FIG. 1



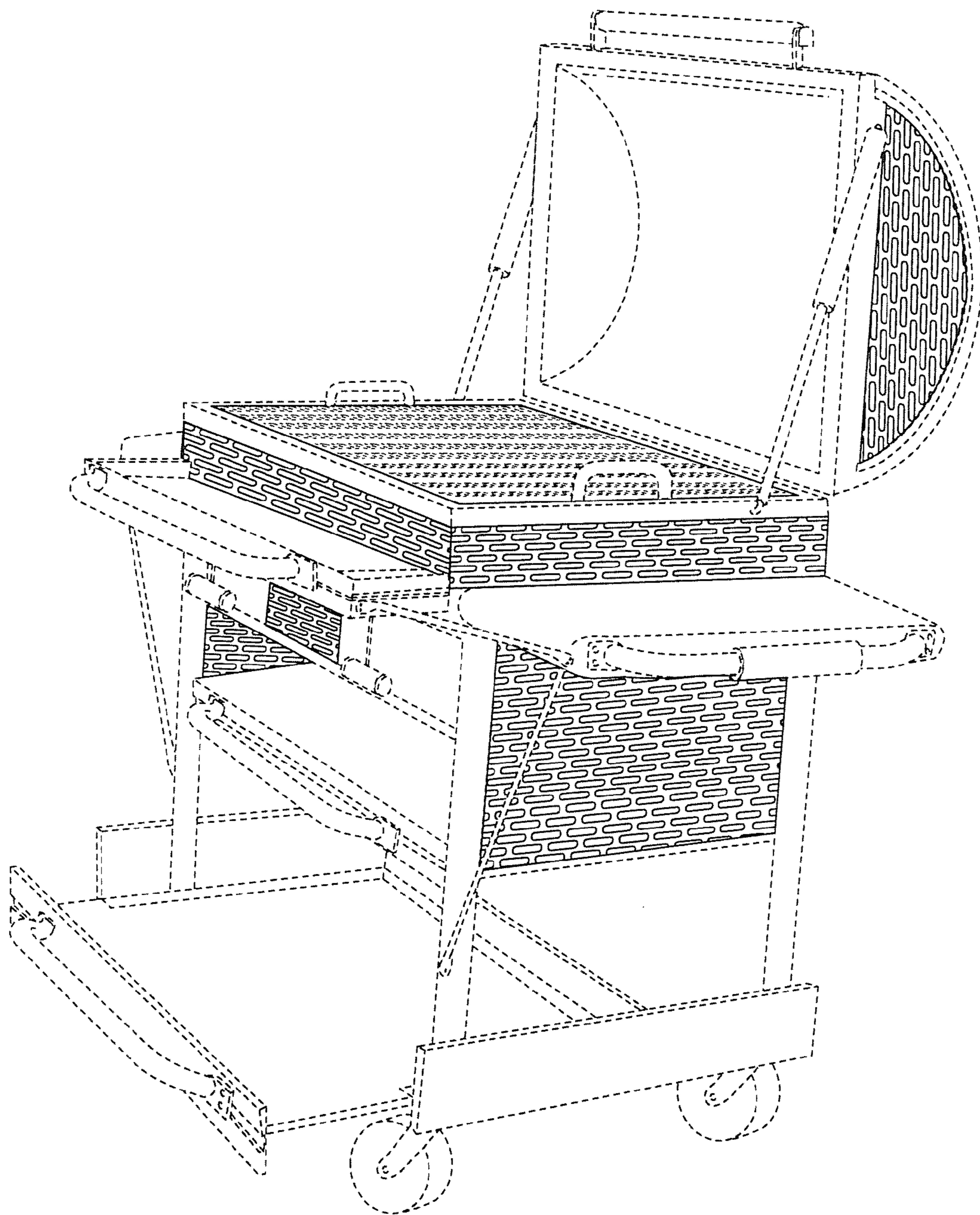


FIG. 2

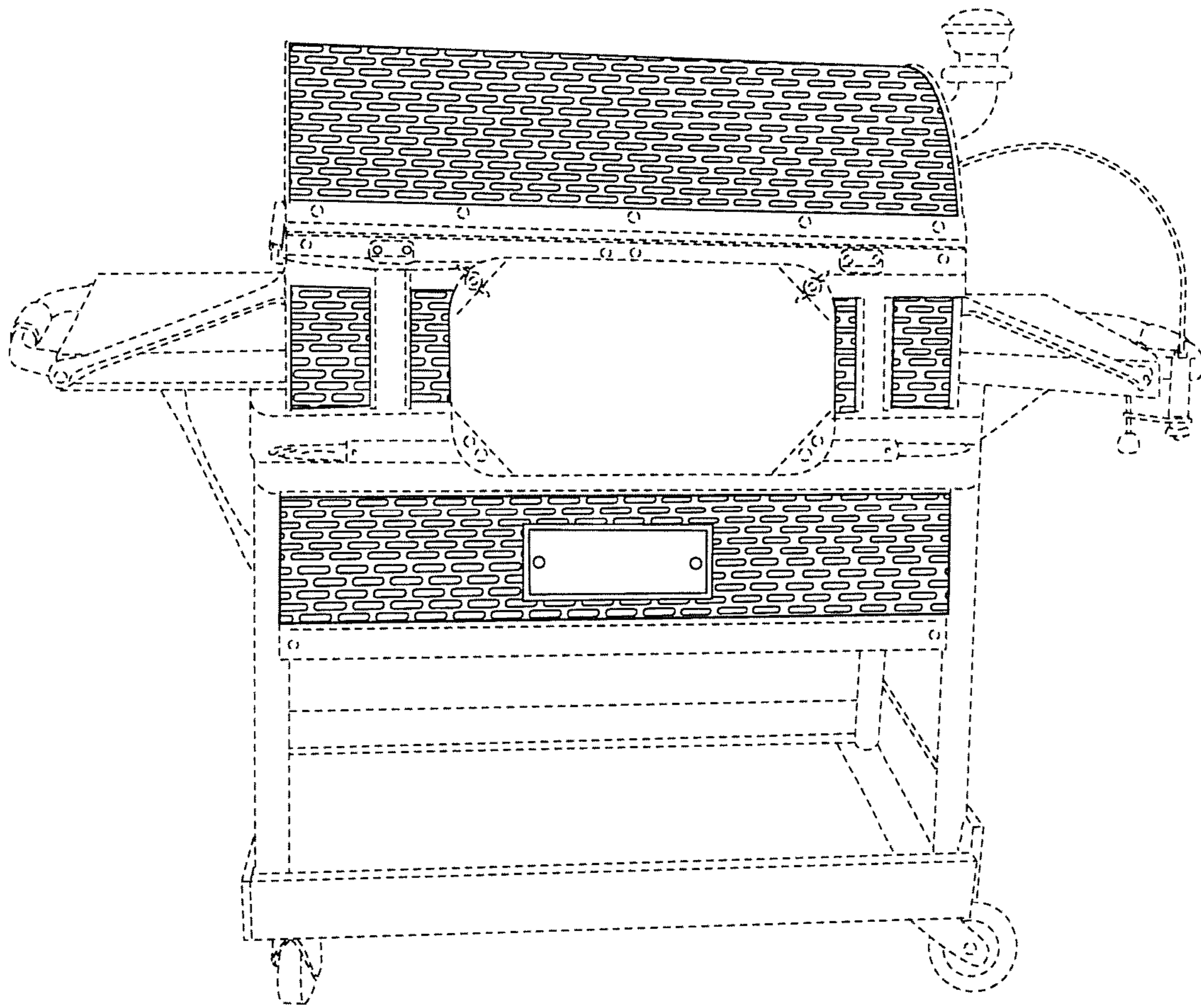


FIG. 3